

TAVOLA / DRAWING 2257

MOD. 9FTG90XXX

GAS FRY-TOPS S.990S COD.:

- 317150 L
- 317160 LC
- 317170 R
- 317180 RC
- 317190 LR
- 317200 LRC

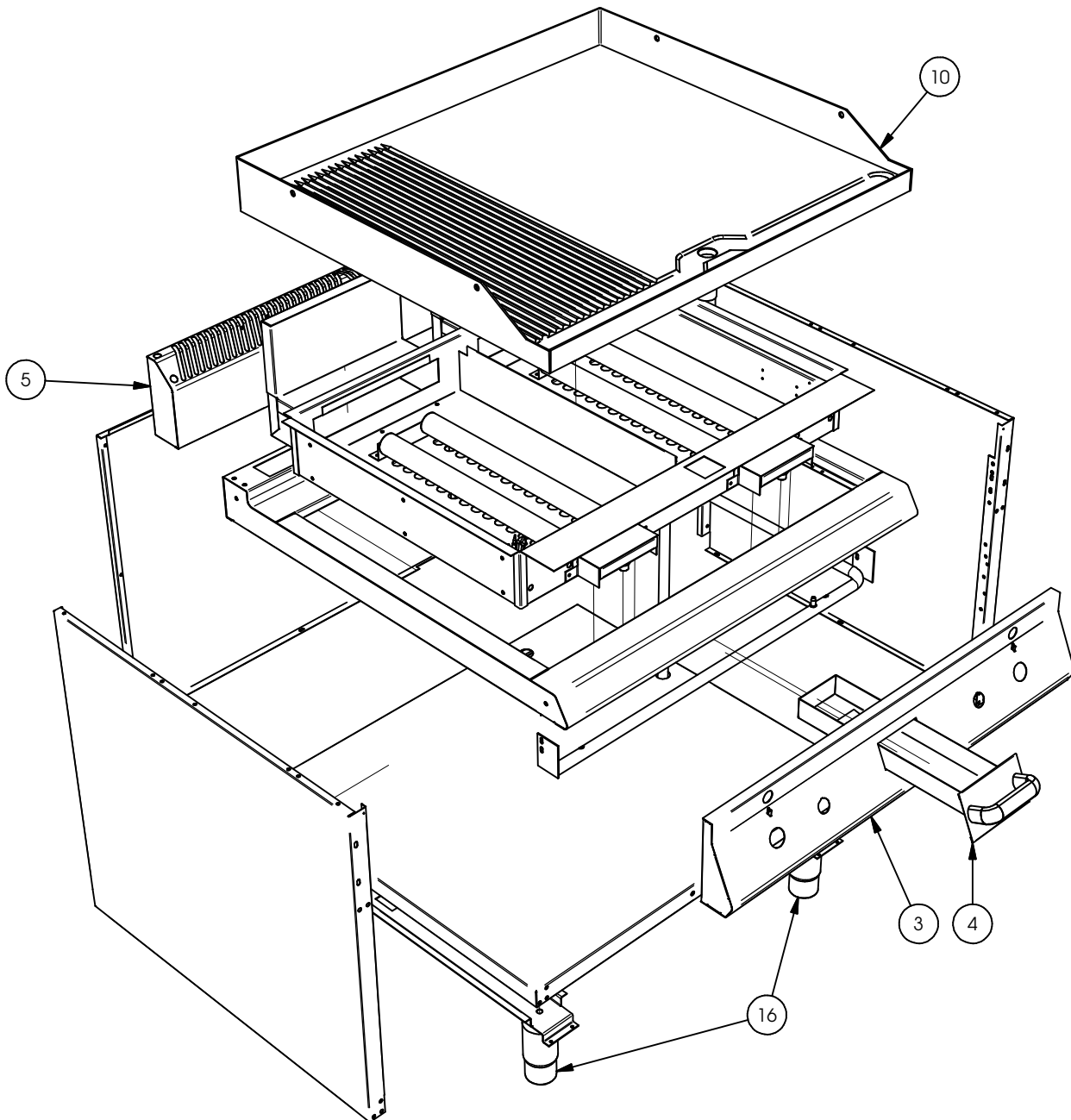
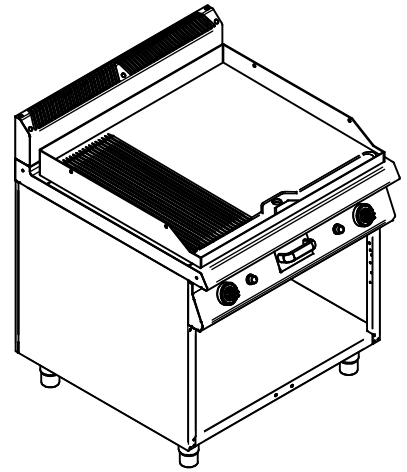
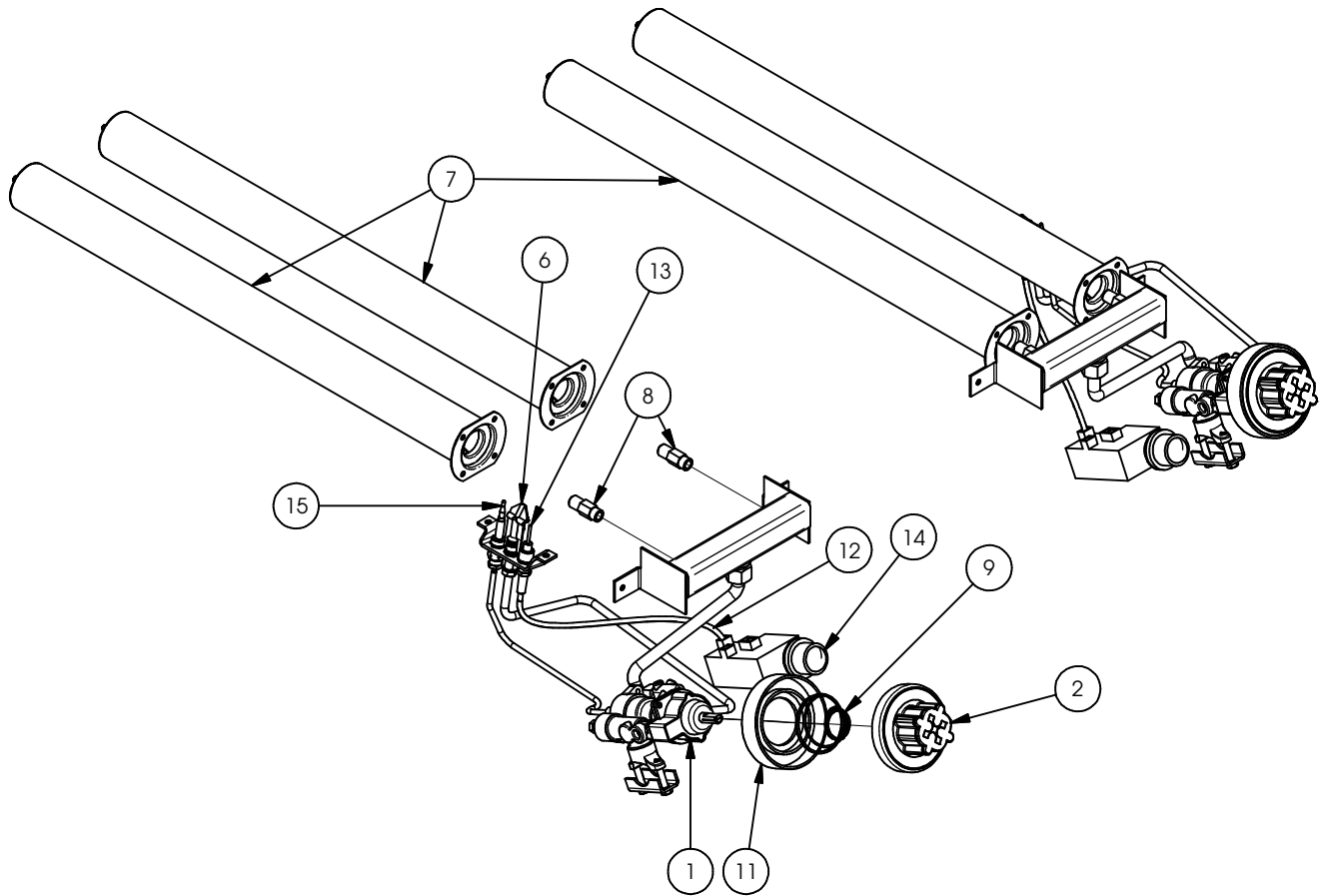


TAVOLA / DRAWING 2257

GRUPPO GAS / GAS GROUP 9FTG90XXX



1	401261	RUBIN.GAS COLL.COMP.RACC.25ST S7/9S	THERMOSTATIC GAS TAP 25 ST WITH CONNECTION
2	401415	MANOPOLA COMPL. RUBIN. FRY-TOP 25ST	KNOB FOR GAS TAP 25 ST
3	4105988	CRUSCOTTO COM.FRY-TOP GAS 900 S.990S	800 GAS FRY TOP FRONT PANEL
4	4127001	CASSETTO RA.GOCCE ASS.FRYTOP S.7/9S	DRIP CATCHER DRAWER
5	4302273	SCARICO FUMO ASS. ASOLE 900 STILE	EXHAUST GRATE
6	403121	BRUCIAT.PIL.3 VIE COMP.RACC.FRY-TOP	PILOT BURNER 3 WAY
7	841265	BRUCIATORE FRY-TOP S.90 102.0974.00	BURNER FRT-TOP (S.900)
8	829350	UGELLO OTT.CH12X30 M10X1 "GENERICO"	LONG BURNER INJECTOR
9	829671	MOLLA CONICA INOX A COMPR.D.1.20	CONICAL SPRING FOR KNOB
10	831968	PIASTRA 850X750X15 FTLN 990	SMOOTH CHROMIUM PLATE
10	831972	PIASTRA 850X750X15 FTLN 990	SMOOTH PLATE
10	831976	PIASTRA 850X750X15 FTRC 990	SCORED CHROMIUM PLATE
10	831980	PIASTRA 855X750X15 FTRN 990	SCORED PLATE
10	831983	PIASTRA 855X750X15 FTLRN 990	1/3 SCORED 2/3 SMOOTH PLATE
10	831987	PIASTRA 850X750X15 FTLRC 990	1/3 SCORED 2/3 SMOOTH CHROMIUM PLATE
11	835571	GHIERA PLAST.ROSSA X MANOP.GAS.17H	PLASTIC COVER FOR KNOB
12	835893	CAVO X ACCENS.A PILA 500MM 0028651	IGNITION CABLE
13	835915	CANDELA PIEZO DRI.(FRY-TOP) 0915015	PIEZO SPARK PLUG
14	835925	ACCENSIONE A PILA 72606505000	SWITCHING TO BATTERY
15	837233	TERMOCOPPIA QUICK 320 0290012	THERMOCOUPLE CM32
16	844380	PIEDE 2"INOX 145-200 EP1XBMBONNSV	2" STAINLESS STEEL FOOT