

TAVOLA / DRAWING 2256

MOD. 9FTG45

GAS FRY-TOPS S.990S COD.:

317130 9FTG45LC

317110 9FTG45L

317140 9FTG90RC

317120 9FTG90R

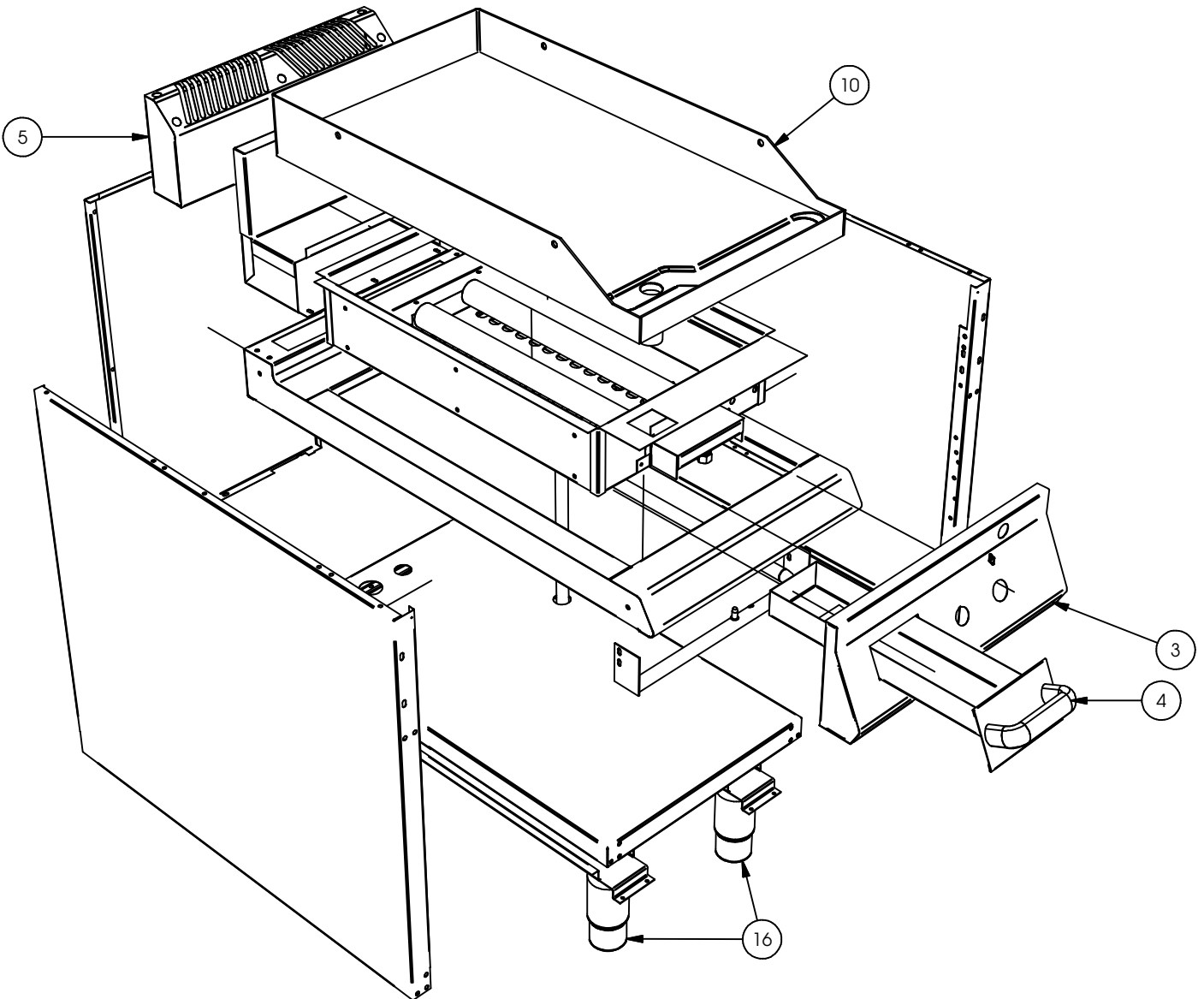
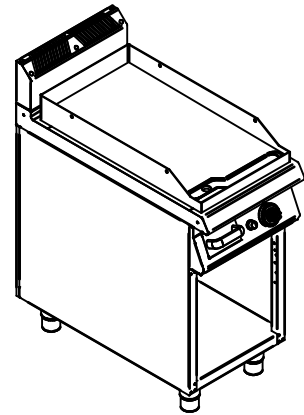
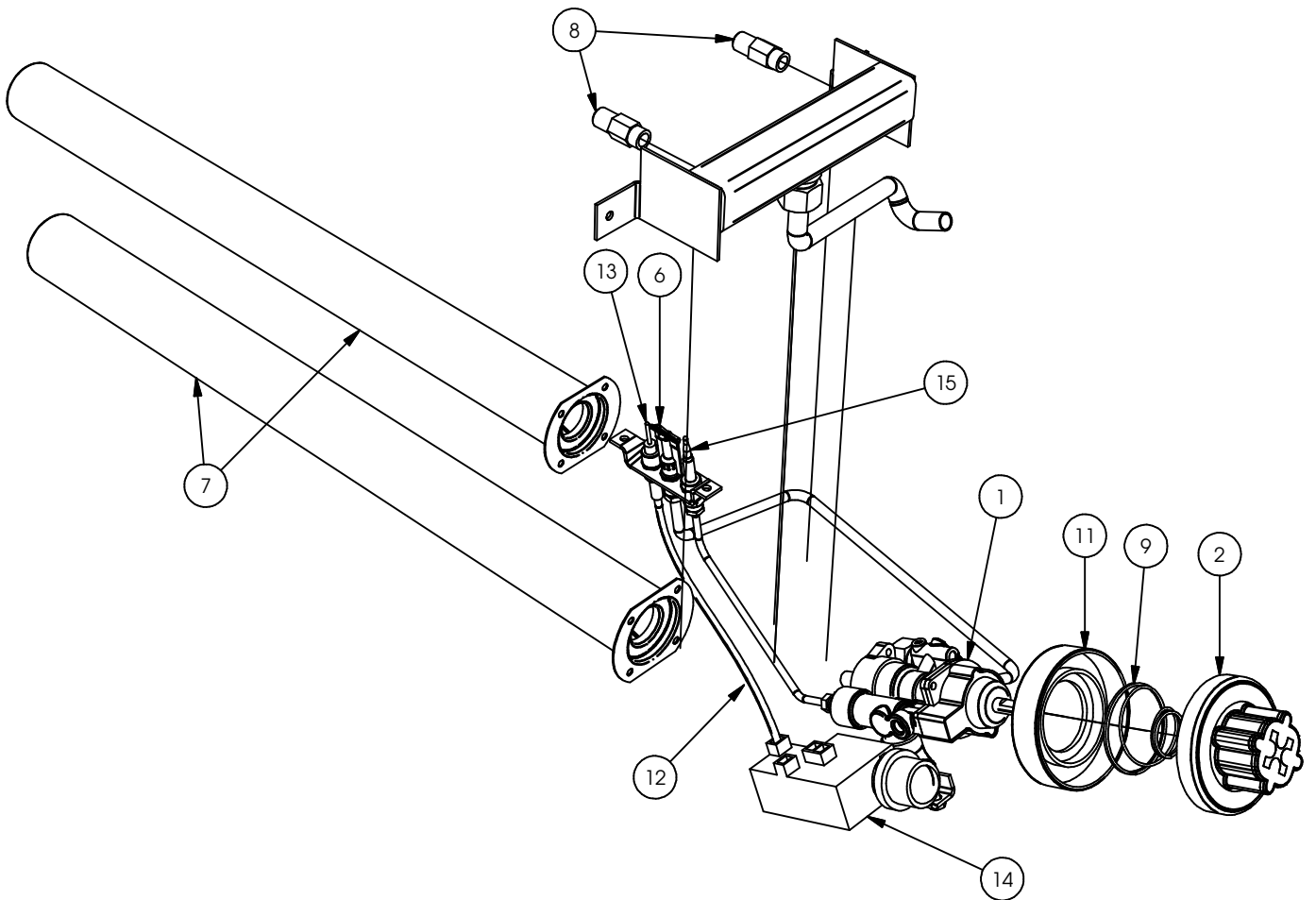


TAVOLA / DRAWING 2256

MOD. 9FTG45

GAS GROUP



1	401261	RUBIN.GAS COLL.COMP.RACC.25ST S7/9S	THERMOSTATIC GAS TAP 25 ST WITH CONNECTION
2	401415	MANOPOLA COMPL. RUBIN. FRY-TOP 25ST	KNOB FOR GAS TAP 25 ST
3	4105987	CRUSCOTTO COM.FRY-TOP GAS 45 S.990S	FRONT PANEL
4	4127001	CASSETTO RA.GOCCE ASS.FRYTOP S.7/9S	DRIP CATCHER DRAWER
5	4302285	SCARICO FUMO ASS. ASOLE 450 STILE	EXHAUST GRATE
6	403121	BRUCIAT.PIL.3 VIE COMP.RACC.FRY-TOP	PILOT BURNER 3 WAY
7	841265	BRUCIATORE FRY-TOP S.90 102.0974.00	BURNER FRT-TOP (S.900)
8	829350	UGELLO OTT.CH12X30 M10X1 "GENERICO"	LONG BURNER INJECTOR
9	829671	MOLLA CONICA INOX A COMPR.D.1,20	CONICAL SPRING FOR KNOB
10	831952	PIASTRA LISCIA CROMATA	SMOOTH CHROMIUM PLATE
10	831956	PIASTRA LISCIA NORMALE	SMOOTH PLATE
10	831960	PIASTRA RIGATA CROMATA	SCORED CHROMIUM PLATE
10	831964	PIASTRA RIGATA NORMALE	SCORED PLATE
11	835571	GHIERA PLAST.CHIUSURA MANOP.GAS.17H	PLASTIC COVER FOR KNOB
12	835893	CAVO X ACCENS.A PILA 500MM	IGNITION CABLE
13	835915	CANDELA PIEZO DRI.(FRY-TOP) 0915015	PIEZO SPARK PLUG
14	835925	ACCENSIONE A PILA 72606505000	SWITCHING TO BATTERY
15	837233	TERMOCOPPIA CM.32	THERMOCOUPLE CM32
16	844380	PIEDE 2"INOX 145-200 EP1XBMBONNSV	2" STAINLESS STEEL FOOT