

TAVOLA / DRAWING 1257

MOD. 8FTG80L

GAS FRY-TOPS S.980S COD.:

- 3171500 L
- 3171600 LC
- 3171700 R
- 3171800 RC
- 3171900 LR
- 3172000 LRC

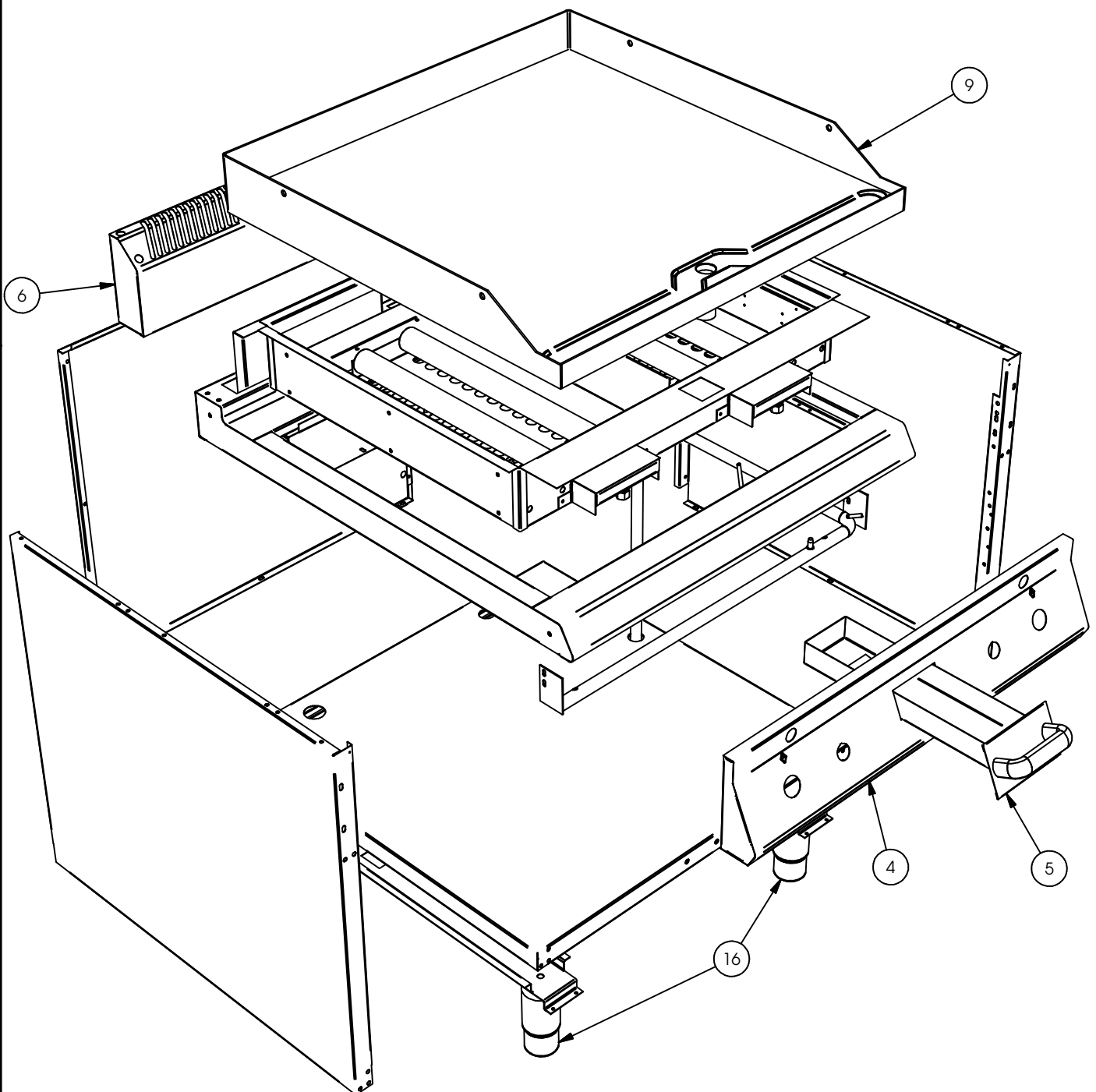
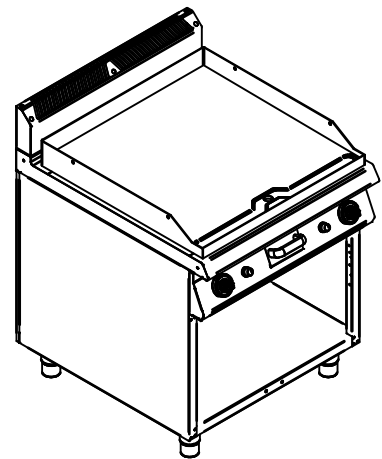
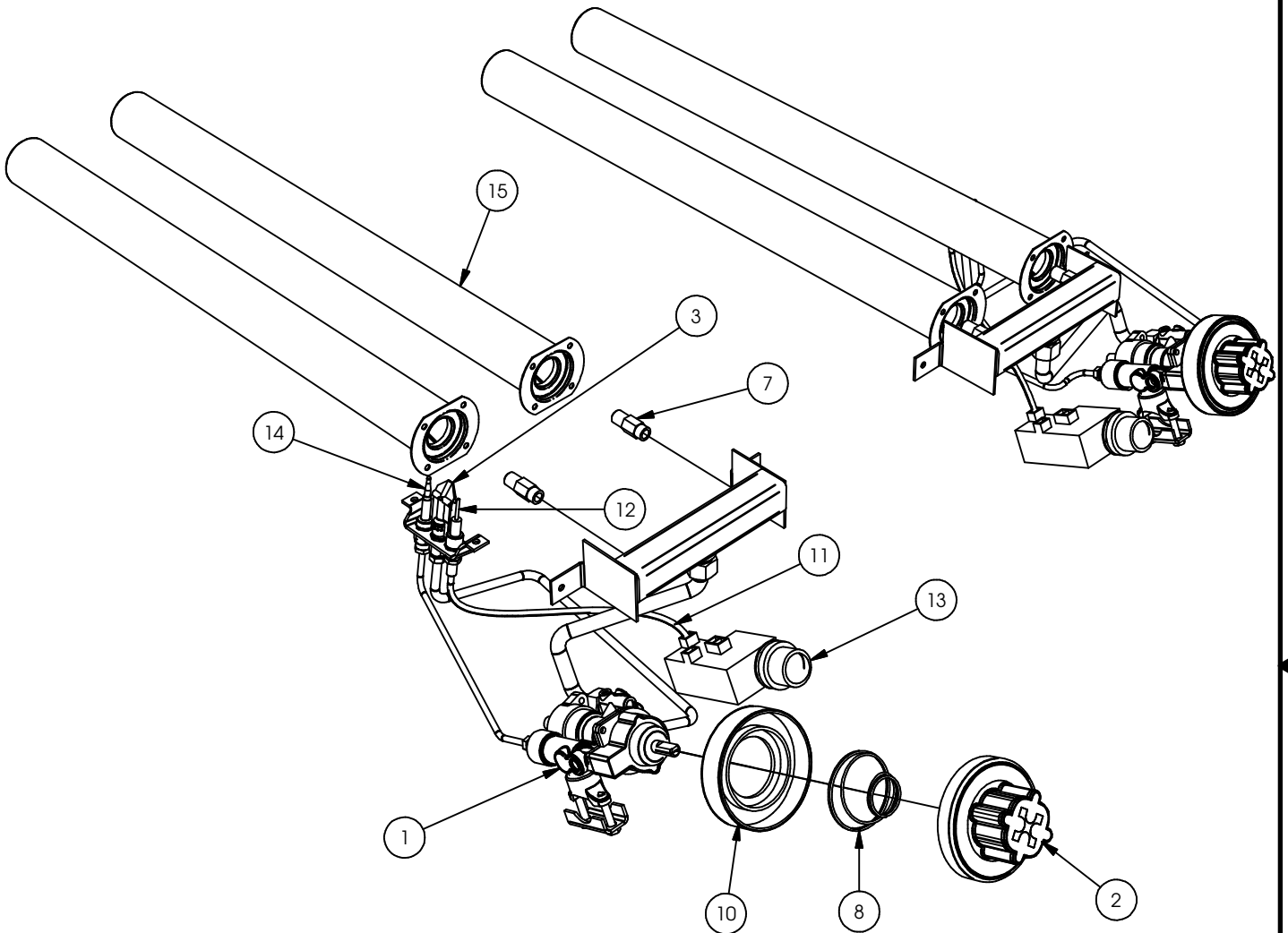


TAVOLA / DRAWING 1257
GRUPPO GAS / GAS GROUP
8FTG80L



1	401261	RUBIN.GAS COLL.COMP.RACC.25ST S7/9S	THERMOSTATIC GAS TAP 25 ST WITH CONNECTION
2	401415	MANOPOLA COMPL. RUBIN. FRY-TOP 25ST	KNOB FOR GAS TAP 25 ST
3	403121	BRUCIAT.PIL.3 VIE COMP.RACC.FRY-TOP	PILOT BURNER 3 WAY
4	4105992	CRUSCOTTO COM.FRY-TOP GAS 800 7/9S	800 GAS FRY TOP FRONT PANEL
5	4127001	CASSETTO RA.GOCCE ASS.FRYTOP S.7/9S	DRIP CATCHER DRAWER
6	4302276	SCARICO FUMO ASS. ASOLE 800 STILE	EXHAUST GRATE
7	829350	UGELLO OTT.CH12X30 M10X1 "GENERICO"	LONG BURNER INJECTOR
8	829671	MOLLA CONICA INOX A COMPR.D.1,20	CONICAL SPRING FOR KNOB
9	831967	PIASTRA 755X750X15 FTLC 980	SMOOTH CHROMIUM PLATE
9	831971	PIASTRA 755X750X15 FTLN 980	SMOOTH PLATE
9	831975	PIASTRA 755X750X15 FTRC 980	SCORED CHROMIUM PLATE
9	831979	PIASTRA 755X750X15 FTRN 980	SCORED PLATE
9	831982	PIASTRA 755X750X15 FTLRN 980	1/3 SCORED 2/3 SMOOTH PLATE
9	831986	PIASTRA 755X750X15 FTLRNC 980	1/3 SCORED 2/3 SMOOTH CHROMIUM PLATE
10	835571	GHIERA PLAST.CHIUSURA MANOP.GAS.17H	PLASTIC COVER FOR KNOB
11	835893	CAVO X ACCENS.A PILA 500MM 0028651	IGNITION CABLE
12	835915	CANDELA PIEZO DRI.(FRY-TOP) 0915015	PIEZO SPARK PLUG
13	835925	ACCENSIONE A PILA 72606505000	SWITCHING TO BATTERY
14	837233	TERMOCOPPIA CM32	THERMOCOUPLE CM32
15	841265	BRUCIATORE FRY-TOP S.90 102.0974.00	BURNER FRT-TOP (S.900)
16	844380	PIEDE 2"INOX 145-200 EP1XBMBONNSV	2" STAINLESS STEEL FOOT