

# **TAVOLA / DRAWING 1256**

## **MOD. 8FTG40**

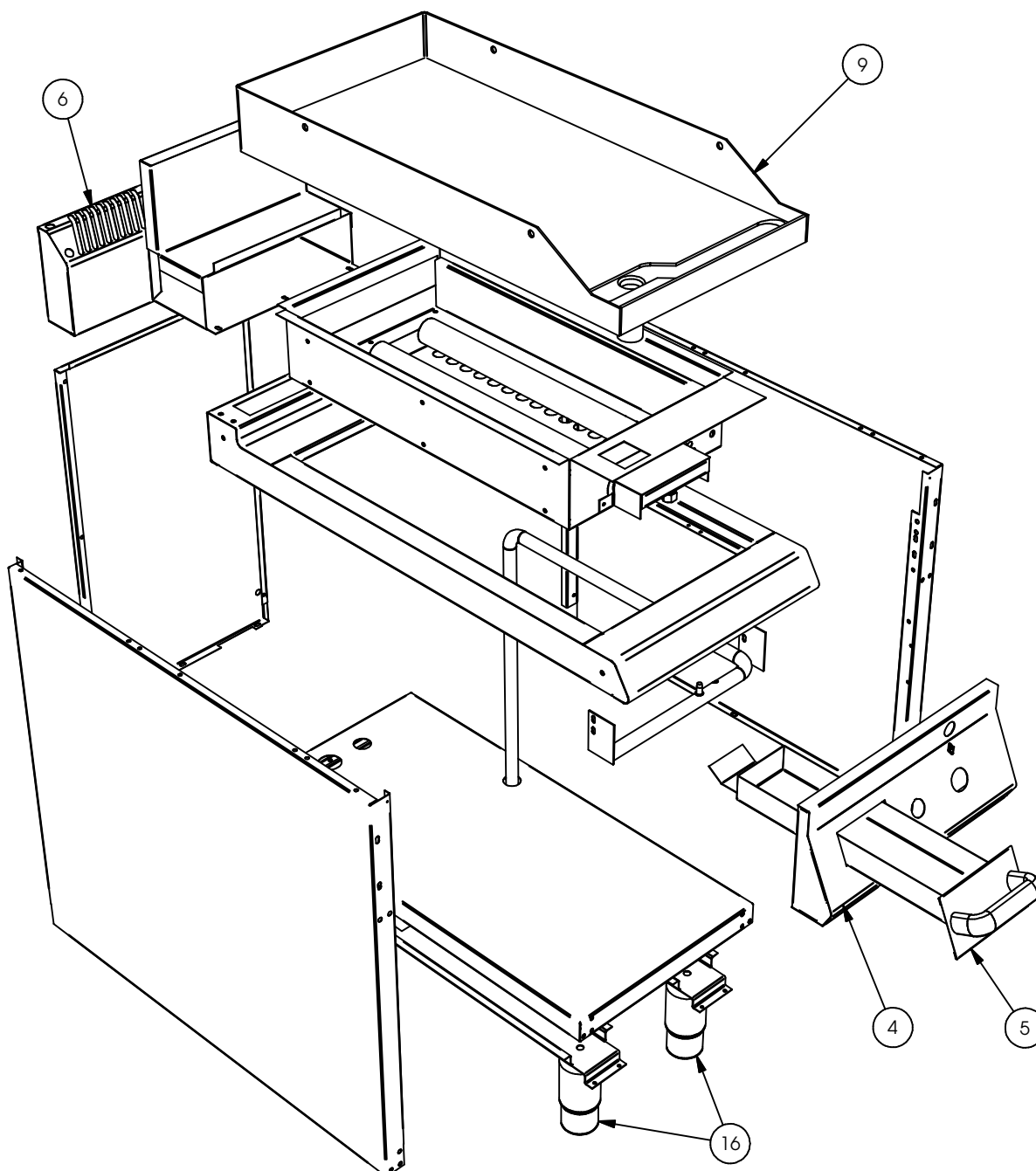
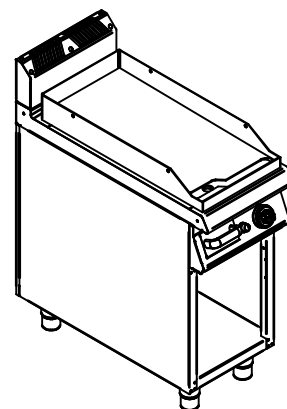
**GAS FRY-TOPS S.700S COD.:**

**3171300 LC**

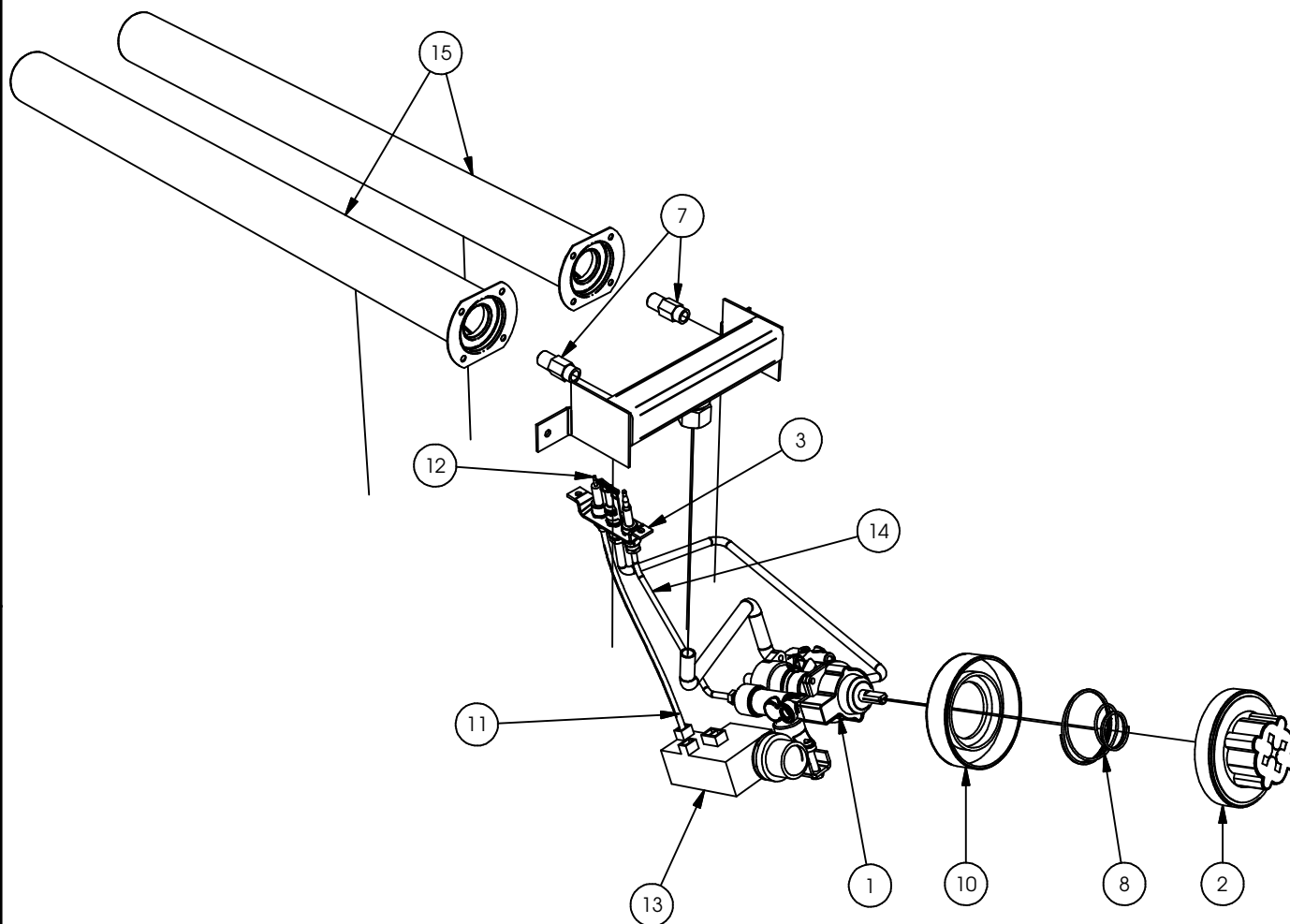
**3171100 L**

**3171400 RC**

**3171200 R**



**TAVOLA / DRAWING 1256**  
**GRUPPO GAS / GAS GROUP**  
**8FTG40**



1	401261	RUBINETTO GAS COMPL.RACC.25ST S7/9S	THERMOSTATIC GAS TAP 25 ST WITH CONNECTION
2	401415	MANOPOLA PER RUBINETTO 25 ST	KNOB FOR GAS TAP 25 ST
3	403121	BRUCIAT.PIL.3 VIE COMP.RACC.FRY-TOP	PILOT BURNER 3 WAY
4	4105991	CRUSCOTTO FRY TOP GAS 400 S.7/9S	400 GAS FRY TOP FRONT PANEL
5	4127001	CASSETTO RACCOGLIGOCCE FRY TOP	DRIP CATCHER DRAWER
6	4302275	SCARICO FUMO ASS. ASOLE 400 STILE	EXHAUST GRATE
7	829350	UGELLO OTT.CH12X30 M10X1 "GENERICO"	LONG BURNER INJECTOR
8	829671	MOLLA CONICA INOX A COMPR.D.1,20	CONICAL SPRING FOR KNOB
9	831951	PIASTRA 359X750X15 FTLN 940	SMOOTH CHROMIUM PLATE
9	831955	PIASTRA 359X750X15 FTLN 940	SMOOTH PLATE
9	831959	PIASTRA 359X750X15 FTRC 940	SCORED CHROMIUM PLATE
9	831963	PIASTRA 359X750X15 FTRN 940	SCORED PLATE
10	835571	GHIERA PLAST.CHIUSURA MANOP.GAS.17H	PLASTIC COVER FOR KNOB
11	835893	CAVO X ACCENS.A PILA 500MM	IGNITION CABLE
12	835915	CANDELA PIEZO DRI.(FRY-TOP) 0915015	PIEZO SPARK PLUG
13	835925	ACCENSIONE A PILA 72606505000	SWITCHING TO BATTERY
14	837233	TERMOCOPPIA CM.32	THERMOCOUPLE CM32
15	841265	BRUCIATORE FRY-TOP S.90 102.0974.00	BURNER FRT-TOP (S.900)
16	844380	PIEDE 2"INOX 145-200 EP1XBMBONNSV	2" STAINLESS STEEL FOOT