

TAVOLA / DRAWING 1253

MOD. 8FTE80L

EL. FRY-TOPS S.980S COD.:

3174000 LRC

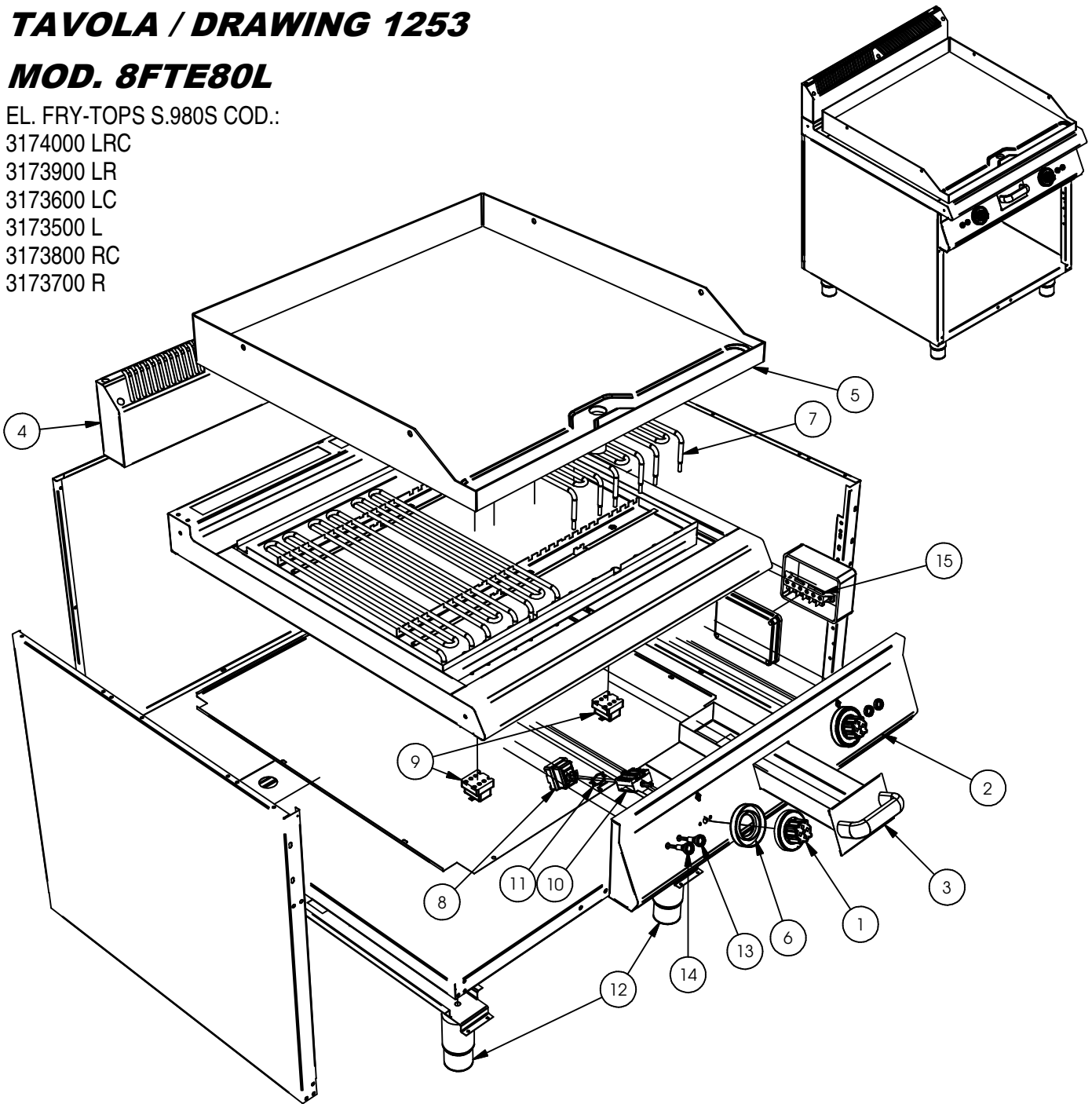
3173900 LR

3173600 LC

3173500 L

3173800 RC

3173700 R



1	401421	MANOPOLA COMP.TERM.FRY-TOP+FORNO EL	KNOB FOR THERMOSTAT
2	4105994	CRUSCOTTO COM.FRY-TOP ELET.800 7/9S	800 GAS FRY TOP FRONT PANEL
3	4127001	CASSETTO RA.GOCCE ASS.FRYTOP S.7/9S	DRIP CATCHER DRAWER
4	4302276	SCARICO FUMO ASS. ASOLE 800 STILE	EXHAUST GRATE
5	431967	PIASTRA EL.ASS.755X750X15 FTLC 980	SMOOTH CHROMIUM PLATE
5	431971	PIASTRA EL. 755X750X15 FTLN 980	SMOOTH PLATE
5	431975	PIASTRA EL. 755X750X15 FTRC 980	SCORED CHROMIUM PLATE
5	431979	PIASTRA EL. 755X750X15 FTRN 980	SCORED PLATE
5	431982	PIASTRA EL. 755X750X15 FTLRN 980	1/3 SCORED 2/3 SMOOTH PLATE
5	431986	PIASTRA EL. 755X750X15 FTLRNC 980	1/3 SCORED 2/3 SMOOTH CHROMIUM PLATE
6	835575	GHIERA PLAST.CHIUSURA MANOP.ELE.13H	PLASTIC COVER FOR KNOB
7	843629	RESISTENZA FRY-TOP 2000W 230V.S.900	HEATING ELEMENT S.700 230V 1600 W FRY-TOP
8	843735	TERMOST.VAR.50-300° FRY 5534062819	WORK THERMOSTAT 50 - 300°
9	843737	TERMOSTATO DI SICUREZZA 5532562808	SAFETY THERMOSTAT
10	843746	COMMUTATORE/INTERRUTTORE 4941015300	MAIN SWITCH/COMMUTATOR
11	843753	STAFFETTA COLLEGAMENTO 0000617078	CONNECTING BRACKET COMM./THERMOSTAT
12	844380	PIEDE 2"INOX 145-200 EP1XBXMBONNSV	2" STAINLESS STEEL FOOT
13	849411	SPIA VERDE V.220	GREEN WARNING LIGHT 220V
14	849417	SPIA ROSSA V.220	RED WARNING LIGHT 220V
15	849517	MORSETTIERA 6 POLI FV122/6/40A	TERMINAL BOARD