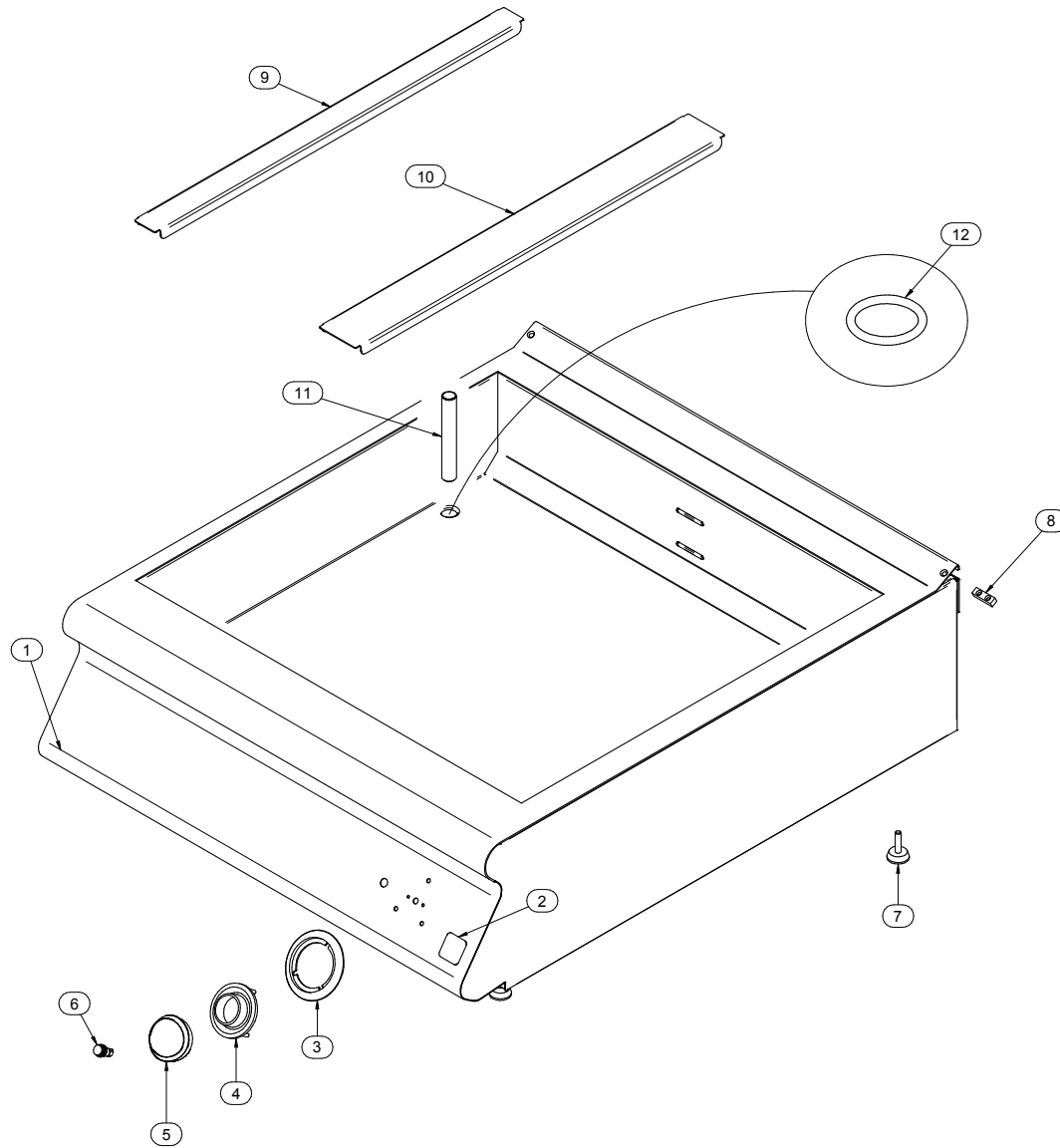


Mod./Type: **_70/... BME... - _90/... BME...**

cod./num. 2531839.00

EXTREME

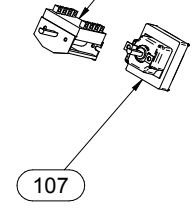
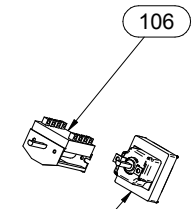
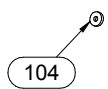
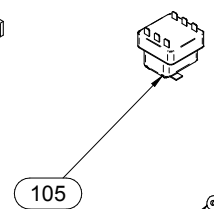
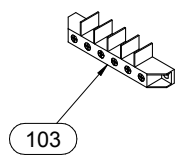
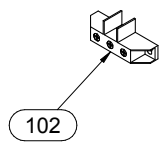
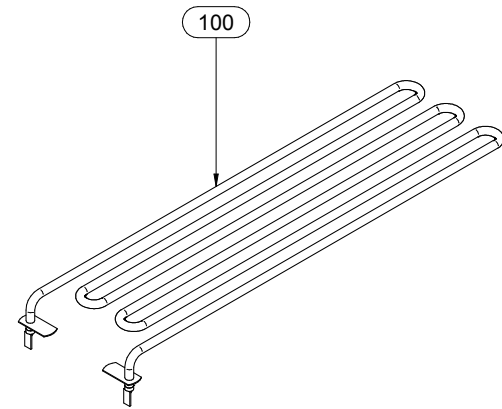
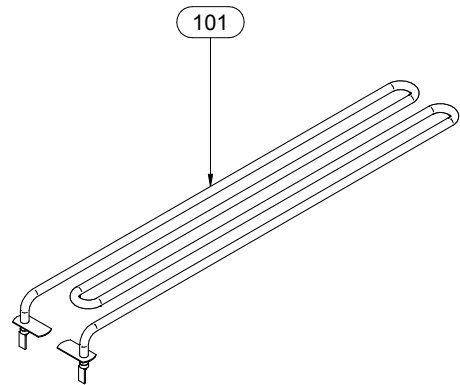
data/date: 03/09/2014



Mod./Type: 70/... BME...
90/... BME...

cod./num. 2531841.00

data/date: 03/09/2014



Mod./Type: **_70 - _90 .../40 ... - .../80 ... - .../120 ...**

cod./num. **2531578.00**

VANO / CABINET - ...B - ...BE - ...BH2

data/date: **05/06/2014**

