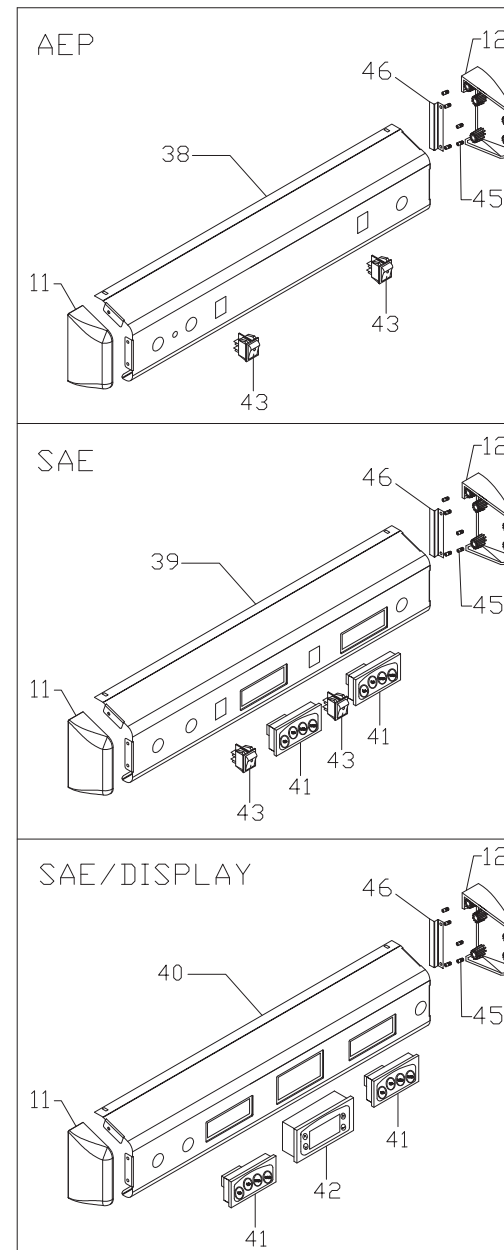
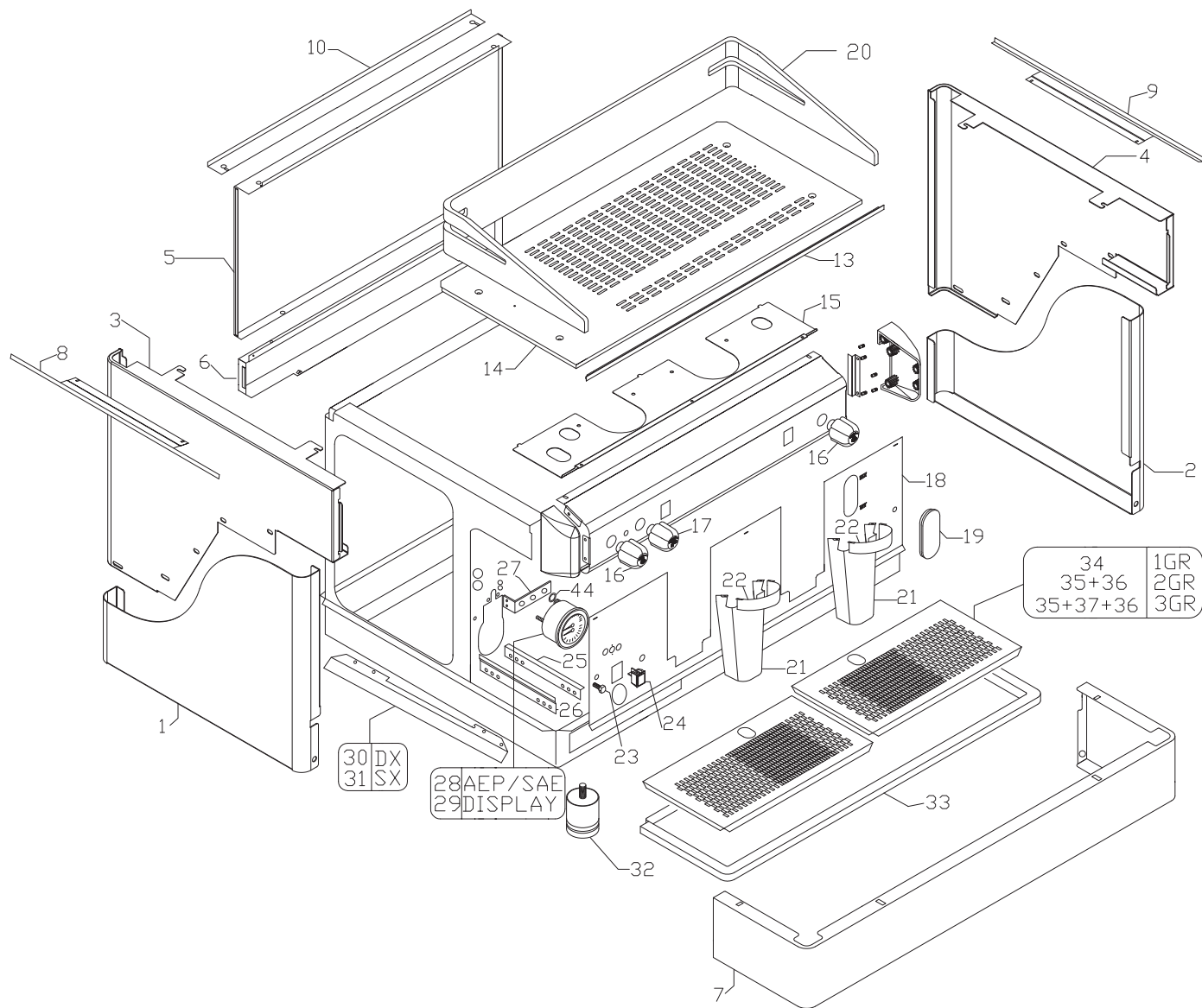
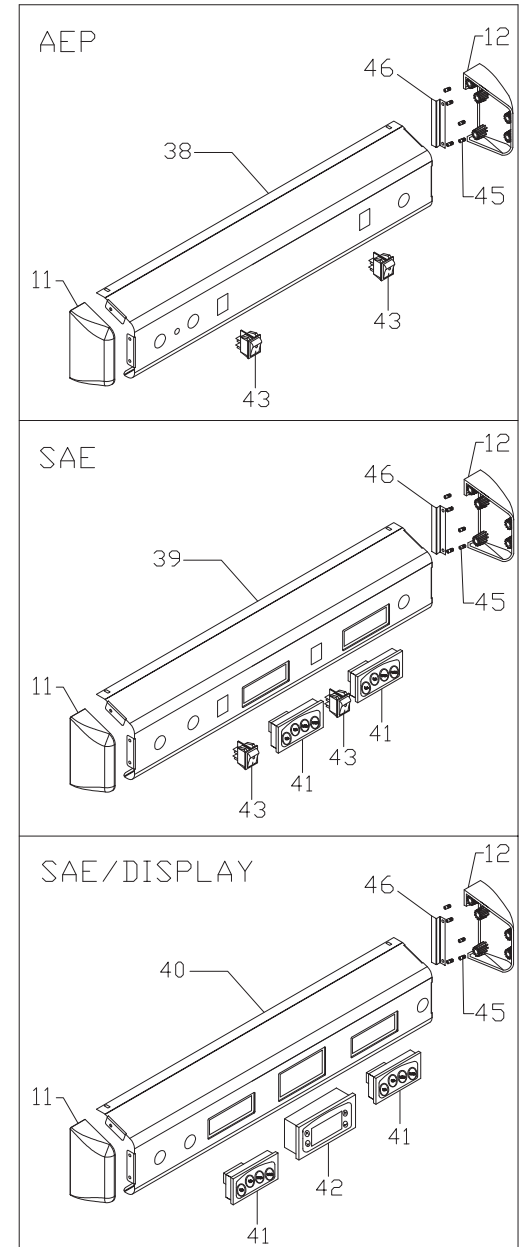
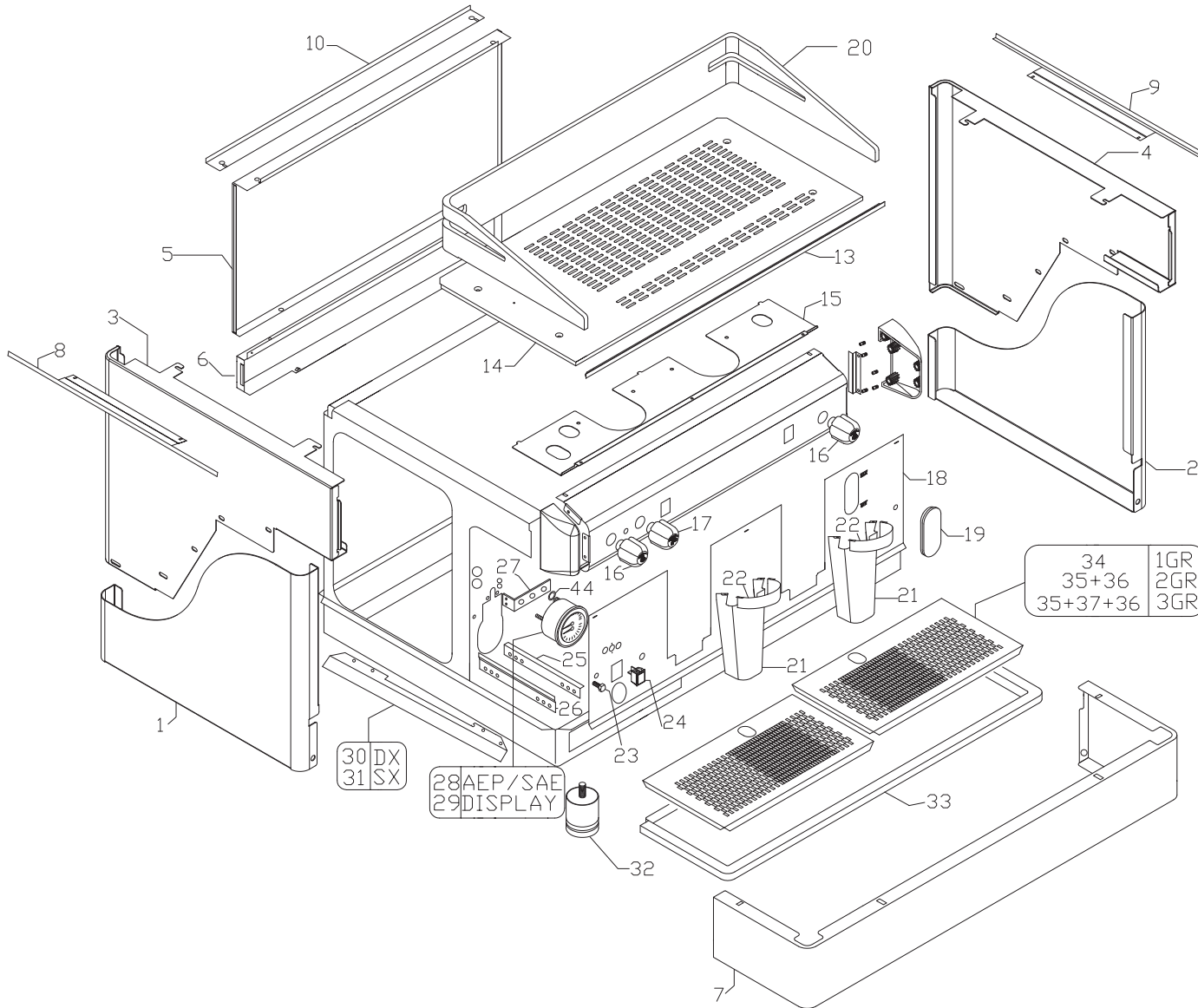


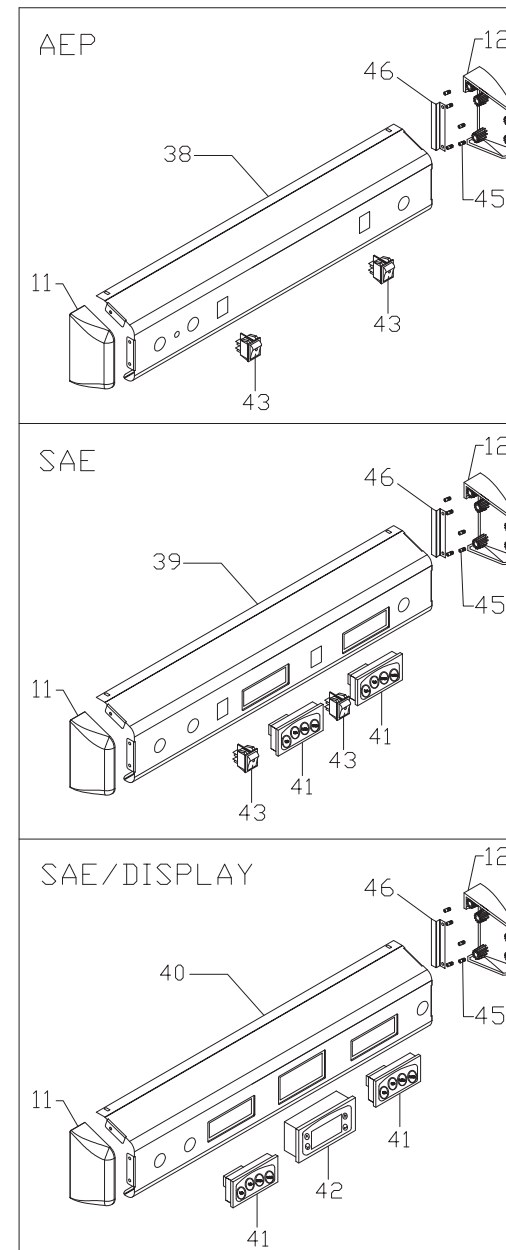
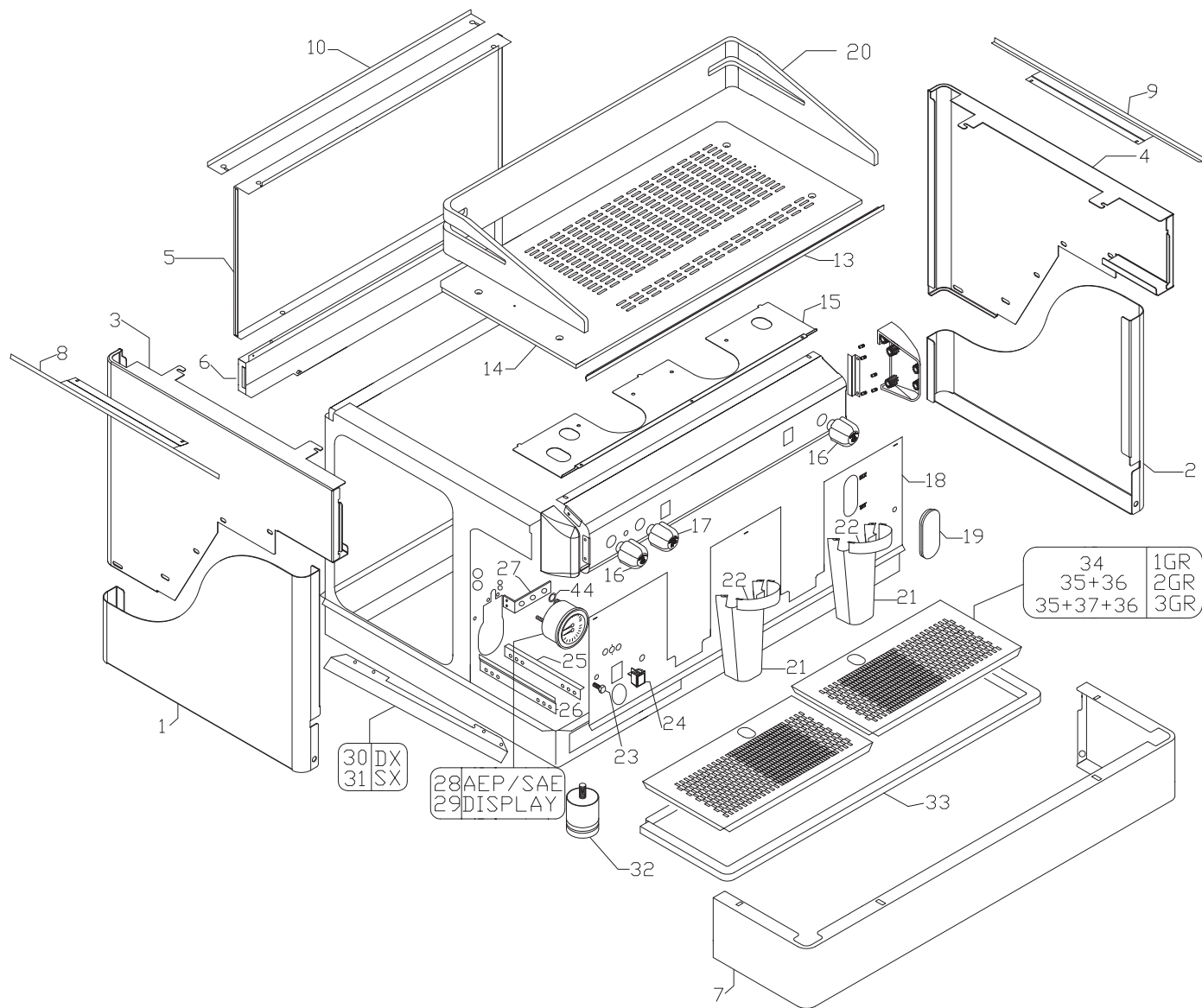
Pos	Cod.	Denominazione - IT -	Denomination - GB -	Denomination - FR -	Denomination - DE -	Denumire - RO -
1	73130147	FIANCO INF.SX TC11 NERO LUCIDO	SIDE PANEL LOWER LEFT TC11 BLACK LUC	COTE INF.GAUCHE TC11 NOIR LUC	SEITE LINKE TC11 SCHWARZ LUC	LATERALA INF. ST. TC11 NEGRU LUC
2	73130146	FIANCO INF.DX TC11 NERO LUCIDO	SIDE PANEL LOWER RIGHT TC11 BLACK LUC	COTE INF.DROIT TC11 NOIR LUC	SEITE RECHT TC11 SCHWARZ LUC	LATERALA INF. DR. TC11 NEGRU LUC
3	73130149	FIANCO SUP.SX TC11 INOX/LUC	SIDE PANEL UPPER LEFT TC11 S.STEEL	COTE SUP.GAUCHE TC11 INOX	SEITE OBER LINKE TC11 STAHL	LATERALA DIN INOX-LU SUP.DR.TC11
4	73130148	FIANCO SUP.DX TC11 INOX/LUC	SIDE PANEL UPPER RIGHT TC11 S.STEEL	COTE SUP.DROIT TC11 INOX	SEITE OBER RECHT TC11 STAHL	LATERALA DIN INOX/LU SUP.ST.TC11
5	75269843	PANN.CARR.POST.1GR TC11 INOX/LUC	BACK TOP PANEL 1GR TC11 S.STEEL	PANNEAU CAROSS.SUP.1GR TC11 INOX	TAFEL KAROSS. OBER 1GR TC11 STHAL	PANOU POST. DIN INOX/LU 1GR TC11
5	75269844	PANN.CARR.POST.2GR TC11 INOX/LUC	BACK TOP PANEL 2GR TC11 S.STEEL	PANNEAU CAROSS.SUP.2GR TC11 INOX	TAFEL KAROSS. OBER 2GR TC11 STHAL	PANOU POST. DIN INOX/LU 2GR TC11
5	75269845	PANN.CARR.POST.3GR TC11 INOX/LUC	BACK TOP PANEL 3GR TC11 S.STEEL	PANNEAU CAROSS.SUP.3GR TC11 INOX	TAFEL KAROSS. OBER 3GR TC11 STHAL	PANOU POST. DIN INOX/LU 3GR TC11
6	77487836	PROF.BAS.POST.1GR TC11 NERO LUC	PROF.BASE PROF.BACK 1GR TC11 BLACK LU	PROFIL BASE POST.1GR TC11 NOIR LUC	BASISPROF.HINTERES 1GR TC11 SCHWARZ	PROF.BAZ.POST.1GR TC11 NEGRU LUC
6	77487837	PROF.BAS.POST.2GR TC11 NERO LUC	PROF.BASE PROF.BACK 2GR TC11 BLACK LU	PROFIL BASE POST.2GR TC11 NOIR LUC	BASISPROF.HINTERES 2GR TC11 SCHWARZ	PROF.BAZ.POST.2GR TC11 NEGRU LUC
6	77487838	PROF.BAS.POST.3GR TC11 NERO LUC	PROF.BASE PROF.BACK 3GR TC11 BLACK LU	PROFIL BASE POST.3GR TC11 NOIR LUC	BASISPROF.HINTERES 3GR TC11 SCHWARZ	PROF.BAZ.POST.3GR TC11 NEGRU LUC
7	77487839	PROF.BAS.ANT.1GR TC11 NERO LUC	COL.TC BLACK LUC BASE PROF.ANT.1GR	PROF.BASE ANT.1GR TC11 NOIR LUC	BASISPROF.VORDER 1GR TC11 SCHWARZ	PROF.BAZ.ANT.1GR TC11 NEGRU LUC
7	77487840	PROF.BAS.ANT.2GR TC11 NERO LUCIDO	COL.TC BLACK LUC BASE PROF.ANT.2GR	PROF.BASE ANT.2GR TC11 NOIR LUC	BASISPROF.VORDER 2GR TC11 SCHWARZ	PROF.BAZ.ANT.2GR TC11 NEGRU LUC
7	77487841	PROF.BAS.ANT.3GR TC11 NERO LUCIDO	COL.TC BLACK LUC BASE PROF.ANT.3GR	PROF.BASE ANT.3GR TC11 NOIR LUC	BASISPROF.VORDER 3GR TC11 SCHWARZ	PROF.BAZ.ANT.3GR TC11 NEGRU LUC
8	77169049	PROF.FERMATAZZE SX TC11 NERO LUC	PROF.LEFT TC11 BLACK LUC	PROF.GAUCHE TC11 NOIR LUC	PROF.LINKE TC11 SCHWARZ LUC	PROF.OPR.CESTI ST.TC11 NEGRU LUC
9	77169048	PROF.FERMATAZZE DX TC11 NERO LUC	PROF.RIGHT TC11 BLACK LUC	PROF.DROIT TC11 NOIR LUC	PROF.RECHT TC11 SCHWARZ LUC	PROF.OPR.CESTI DR.TC11 NEGRU LUC
10	77169050	PROF.SUPERIORE 1GR TC11 NERO LUC	PROF.SUP.1GR TC11 BLACK LUC	PROF.SUP.1GR TC11 NOIR LUC	PROF.OBER 1GR TC11 SCHWARZ LUC	PROF.OPR.CESTI SUP.1GR TC11 NEGRU L
10	77169051	PROF.SUPERIORE 2GR TC11 NERO LUC	PROF.SUP.2GR TC11 BLACK LUC	PROF.SUP.2GR TC11 NOIR LUC	PROF.OBER 2GR TC11 SCHWARZ LUC	PROF.OPR.CESTI SUP.2GR TC11 NEGRU L
10	77169052	PROF.SUPERIORE 3GR TC11 NERO LUC	PROF.SUP.3GR TC11 BLACK LUC	PROF.SUP.3GR TC11 NOIR LUC	PROF.OBER 3GR TC11 SCHWARZ LUC	PROF.OPR.CESTI SUP.3GR TC11 NEGRU L
11	15018027	FIANCO SX.PER FRONT.ABS CR.TC11	SIDE PANEL LEFT FOR FRONT.ABS CR.TC11	COTE GAUCHE POUR FRONT.ABS CR.TC11	SEITE LINKE FUR FRONT.ABS.CR.TC11	LATERALA ST.PT.FRONT.POST.ABS CR.TC11
12	15018026	FIANCO DX.PER FRONT.ABS CR.TC11	SIDE PANEL RIGHT FOR FRONT.ABS.CR.TC11	COTE DROIT POUR FRONT.ABS CR.TC11	SEITE RECHT FUR FRONT.ABS.CR.TC11	LATERALA DR.PT.FRONT.POST.ABS CR.TC11
13	77169053	PROF.FERMAT.ANT.1GR TC11 IN/LUC	PROF.ANT.1GR TC11 IN/LUC	PROF.ANT.1GR TC11 IN/LUC	PROF.VORDER 1GR TC11 IN/LUC	PROF.OPR.CESTI ANT.1GR TC11 IN/LUC
13	77169054	PROF.FERMAT.ANT.2GR TC11 IN/LUC	PROF.ANT.2GR TC11 IN/LUC	PROF.ANT.2GR TC11 IN/LUC	PROF.VORDER 2GR TC11 IN/LUC	PROF.OPR.CESTI ANT.2GR TC11 IN/LUC
13	77169055	PROF.FERMAT.ANT.3GR TC11 IN/LUC	PROF.ANT.3GR TC11 IN/LUC	PROF.ANT.3GR TC11 IN/LUC	PROF.VORDER 3GR TC11 IN/LUC	PROF.OPR.CESTI ANT.3GR TC11 IN/LUC
14	76100168	GRIGLIA SUP.1GR TC11 INOX/LUC	1GR UPPER STAINLESS TC11 COVER GRILL	GRILLE SUPERIEURE 1 GR TC11 INOX	OBERGITTER 1GR NL TC 11STAHL	GRILAJ SUP. DIN INOX TC11 1GR
14	76100169	GRIGLIA SUP.2GR TC11 INOX/LUC	2GR UPPER STAINLESS TC11 COVER GRILL	GRILLE SUPERIEURE 2 GR TC11 INOX	OBERGITTER 2GR NL TC11 STAHL	GRILAJ SUP. DIN INOX TC11 2GR
14	76100170	GRIGLIA SUP.3GR TC11 INOX/LUC	3GR UPPER STAINLESS TC11 COVER GRILL	GRILLE SUPERIEURE 3 GR TC11 INOX	OBERGITTER 3GR NL TC11 STAHL	GRILAJ SUP. DIN INOX TC11 3GR
15	77308039	COPRIMPIANTO 1GR TC11	CABLE-COVER 1GR TC11	COUVRE-CABLAGE 1GR TC11	VERDAHTUNHDECKEL 1GR TC11	PROT.INST.1GR TC11
15	77308040	COPRIMPIANTO 2GR TC11	CABLE-COVER 2GR TC11	COUVRE-CABLAGE 2GR TC11	VERDAHTUNHDECKEL 2GR TC11	PROT.INST.2GR TC11
15	77308041	COPRIMPIANTO 3GR TC11	CABLE-COVER 3GR TC11	COUVRE-CABLAGE 3GR TC11	VERDAHTUNHDECKEL 3GR TC11	PROT.INST.3GR TC11
16	15272	MANOPOLA RUB.VAP.WE(NOVA)	STEAM TAP KNOB (NEW)	POIGNEE ROBINET VAP.(NOUVEAU)	DAMPF-HAHNGRIFF (NEU)	MANER PT. ROBINETUL DE VAPORI (NOU)
17	15273	MANOPOLA RUB.H2O.WE(NOVA)	WATER TAP KNOB (NEW)	POIGNEE ROBINET EAU (NOUVEAU)	WASSER-HAHNGRIFF (NEU)	MANER PT. ROBINETUL DE APA (NOU)
18	77044111	COPRICALDAIA ER/1 TC11 INOX/LUC	S.STEEL BOILER COVER TC11 1GR	COUVRE-CHAUDIERE INOX TC11 1GR	KESSELDECKEL 1GR TC11 STAHL	PROTECTIE CAZAN ER/1 TC11 INOX/LU
18	77044112	COPRICALDAIA ER/2 TC11 INOX/LUC	S.STEEL BOILER COVER TC11 2GR	COUVRE-CHAUDIERE INOX TC11 2GR	KESSELDECKEL 2GR TC11 STAHL	PROTECTIE CAZAN ER/2 TC11 INOX/LU
18	77044113	COPRICALDAIA ER/3 TC11 INOX/LUC	S.STEEL BOILER COVER TC11 3GR	COUVRE-CHAUDIERE INOX TC11 3GR	KESSELDECKEL 3GR TC11 STAHL	PROTECTIE CAZAN ER/3 TC11 INOX/LU
18	77044114	COPRICALDAIA ER/1+DISPLAY TC11 IN/L	S.STEEL BOILER COVER 1GR+DISPLAY	COUVRE-CHAUDIERE INOX 1GR+DISPLAY	KESSELDECKEL 1GR+DISPLAY STAHL	PROTECTIE CAZAN ER/1+DISPLAY TC IN/L
18	77044115	COPRICALDAIA ER/2+DISPLAY TC11 IN/L	S.STEEL BOILER COVER 2GR+DISPLAY	COUVRE-CHAUDIERE INOX 2GR+DISPLAY	KESSELDECKEL 2GR+DISPLAY STAHL	PROTECTIE CAZAN ER/2+DISPLAY TC IN/L
18	77044116	COPRICALDAIA ER/3+DISPLAY TC11 IN/L	S.STEEL BOILER COVER 3GR+DISPLAY	COUVRE-CHAUDIERE INOX 3GR+DISPLAY	KESSELDECKEL 3GR+DISPLAY STAHL	PROTECTIE CAZAN ER/3+DISPLAY TC IN/L
19	21202	SENGALIVELLO OVE TUV INCOLORE	COLOURLESS LEVEL INDICATOR OVE-TUV	SIGNAL NIVEAU OVE-TUV	FARBLOSER NIVEAUANZEIGER OVE-TUV	INDICATOR NIVEL OVE-TUV INCOLOR
20	21162220	PLEXIGLASS SUP. 1GR TC11	PLEXIGLASS UPPER 1GR TC11	PLEXIGLASS SUPERIEURE 1GR TC11	PLEXIGLASS OBER 1GR TC11	PLEXIGLASS SUP. 1GR TC11
20	21162221	PLEXIGLASS SUP. 2GR TC11	PLEXIGLASS UPPER 2GR TC11	PLEXIGLASS SUPERIEURE 2GR TC11	PLEXIGLASS OBER 2GR TC11	PLEXIGLASS SUP. 2GR TC11



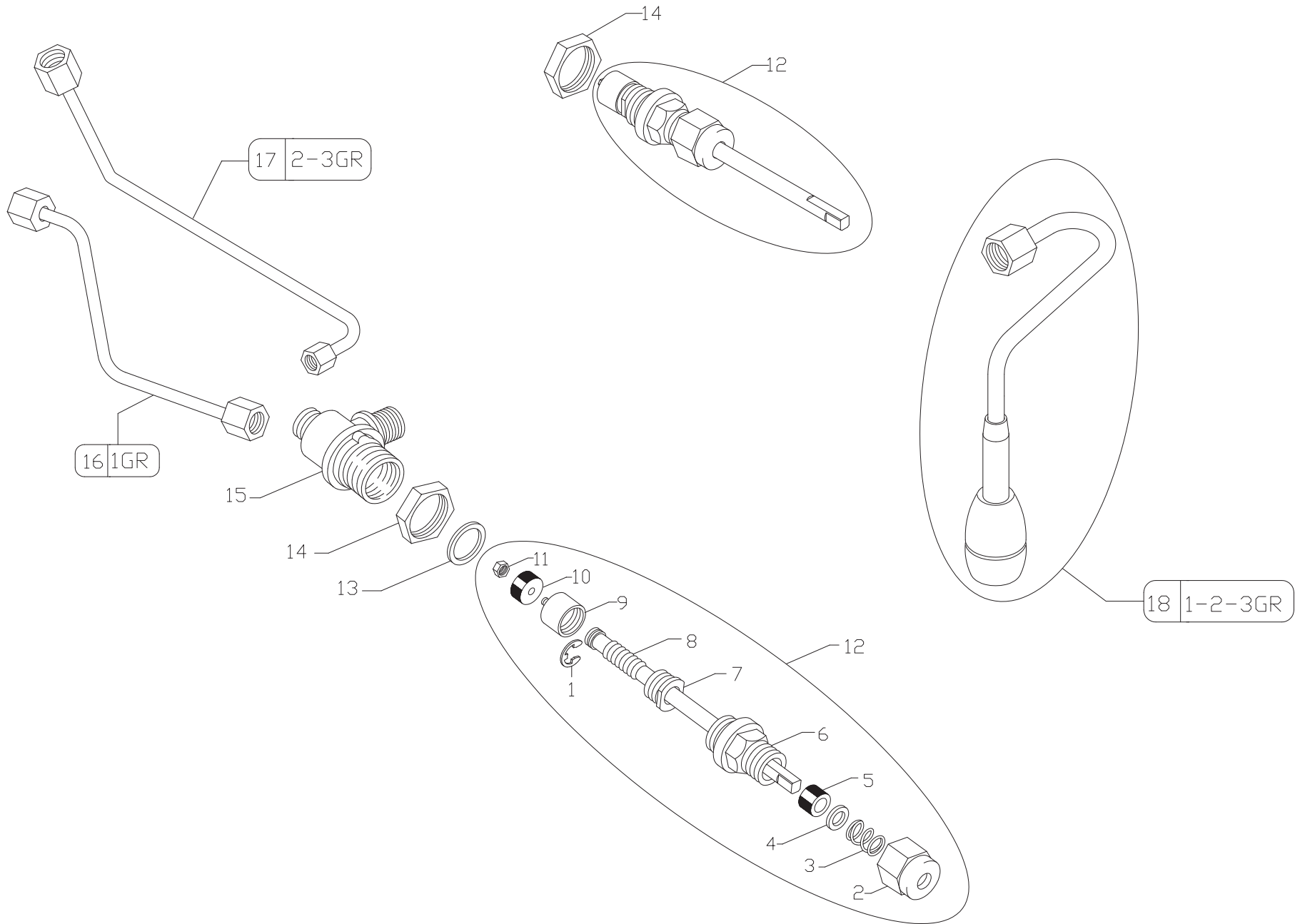
Pos	Cod.	Denominazione - IT -	Denomination - GB -	Denomination - FR -	Denomination - DE -	Denumire - RO -
20	21162222	PLEXIGLASS SUP. 3GR TC11	PLEXIGLASS UPPER 3GR TC11	PLEXIGLASS SUPERIEUR 3GR TC11	PLEXIGLASS OBERNIVEAU 3GR TC11	PLEXIGLASS SUP. 3GR TC11
21	77602004	COPRIELETTRIVALVOLA INF.ER.TC.IN.	S.STEEL SOL.VALVE LOWER COVER	COUVRE-ELECTROVANNE INFERIEUR INOX	GRUPPENMAGNETVENTIL UNTERNIVEAU	PROTECTIE ELECTROV.INF.ER./LU
22	77602005	COPRIELETTRIVALVOLA SUP.ER.TC.IN.	S.STEEL SOL.VALVE UPPER COVER	COUVRE-ELECTROVANNE SUPERIEUR INOX	GRUPPENMAGNETVENTIL OBERNIVEAU	PROTECTIE ELECTROV.SUP.ER./LU
23	23420	VITE TE OT M6x12 NICHELATA	M6x12NICHEL-PLATED BRASS HEX.HEAD	VIS TH LAITON M6x12 NICKELEE	SECHSKANTSCHRAUBE AUS MESS.M6x12	SURUB DIN ALAMA M6x12 NICHELAT
24	15486002	TAPO FORO INTERRUPTORE	SWITCH HOLE PLUG	CAPUCHON TROU INTERRUPT.	ABDECKUNG SCHALTERLOCH	CAPAC DIN PLASTIC PT. INTRERUPATOR
25	77741	GUIDA DX-SX BACINELLAXTELAI	R -L BASIN GUIDE FOR FRAMES	GUIDE DX-SX CUVE x CHASSIS	FÜHRUNG R-L SCHALE FÜR RAH	GHIDAJ DR-ST PT.TAVA DE SCUR.SI T.
26	77742005	DIST. GUIDA BACINELLA BR	SPACER GLOSSY	ENTRETOISE CUVE	DISTANZSTUCK	DIST.PT.GHIDAJ PT.TAVA DE SCUR.SI T.
27	78150072	SUPP.MANOMETRO 1>3GR TOUCH	GAUGE SUPPORT 1 3GR	SUPPORT MANOMETRE 1 3GR	MANOMETERHALTER 1 3GR	SUPORT MANOMETRU 1>3GR TOUCH
28	21112	MANOMETRO TONDO D.SCALA BRAVA	PRESSURE GAUGE	MANOMETRE	MANOMETER	MANOMETRU
29	21114	MANOMETRO TONDO 16BAR	ROUND PRESSURE GAUGE 16ATM	MANOMETRE ROND 16 ATM	MANOMETER 16 ATM	MANOMETRU 16 BAR
30	77607071	SUPP.DX FIANCO TOUCH	RIGHT PANEL SUPPORT TOUCH	DROIT COTE SUPPORT TOUCH	SATTEL RECHT SEITE TOUCH	SUPORT LAT. DR. TOUCH
31	77607072	SUPP.SX FIANCO TOUCH	LEFT PANEL SUPPORT TOUCH	GAUCHE COTE SUPPORT TOUCH	SATTEL LINKE SEITE TOUCH	SUPORT LAT. ST. TOUCH
32	15318	PIEDINO REGOL.IN./SAT H55/69	ADJUSTABLE FOOT H55/69	PIED REGLABLE H55/69	REGELBARER FUSS H55/69	PICIOARE REGLABILE INOX/SAT H55/69
33	76095	BACINELLA 1 GR ARGENTA IN./L	1GR GLOSSY STAINLESS STEEL TRAY	BASSINELLE 1GR INOX BRILLANT	STAHLSCHALE 1GR	TAVA DE SCURGERE DIN INOX LU. 1GR
33	76096	BACINELLA 2 GR ARGENTA IN./L	2GR GLOSSY STAINLESS STEEL TRAY	BASSINELLE 2GR INOX BRILLANT	STAHLSCHALE 2GR	TAVA DE SCURGERE DIN INOX LU. 2GR
33	76097	BACINELLA 3 GR ARGENTA IN./L	3GR GLOSSY STAINLESS STEEL TRAY	BASSINELLE 3GR INOX BRILLANT	STAHLSCHALE 3GR	TAVA DE SCURGERE DIN INOX LU. 3GR
34	76153000	GRIGLIA INF.WN01 I/L.456x201	LOWER GRILL 456x201 SHINY S.STEEL	GRILLE INF.INOX 456x201	STAHL-UNTERGITTER 456x201	GRILAJ INF.WN01 INOX/L.456x201
35	76154000	GRIGLIA INF.DX.WN01 I/L.338.5x201	RIGHT LOWER GRILL - SHINY S.STEEL	GRILLE INF.DROIT INOX 338, 5x201	STAHL-UNTER-RECHTEGITTER 338,5x201	GRILAJ INF.DR.WN01 IN./L.338.5x201
36	76155000	GRIGLIA INF.SX.WN01 I/L.338.5x201	LEFT LOWER GRILL - SHINY S.STEEL	GRILLE INF.GAUCHE INOX 338, 5x201	STAHL-UNTER-LINKEGITTER 338,5x201	GRILAJ INF.ST.WN01 IN./L.338.5x201
37	76156000	GRIGLIA INF.WN01 I/L.253x201	LOWER GRILL 253x201 - SHINY S.STEEL	GRILLE INF.INOX 253x201	STAHL-UNTERGITTER 253x201	GRILAJ INF.WN01 INOX/L.253x201
38	70848836	FRONT.AEP/1 TC11 INOX/LUC	AEP FRONT./1 TC11 STEEL/LUC	ELEM.FRONT.AEP/1 TC11 INOX/LUC	FRONT.AEP/1 TC11 STAHL/LUC	FRONT.AEP/1 TC11 INOX/LUC
38	70848837	FRONT.AEP/2 TC11 INOX/LUC	AEP FRONT./2 TC11 STEEL/LUC	ELEM.FRONT.AEP/2 TC11 INOX/LUC	FRONT.AEP/2 TC11 STAHL/LUC	FRONT.AEP/2 TC11 INOX/LUC
38	70848838	FRONT.AEP/3 TC11 INOX/LUC	AEP FRONT./3 TC11 STEEL/LUC	ELEM.FRONT.AEP/3 TC11 INOX/LUC	FRONT.AEP/3 TC11 STAHL/LUC	FRONT.AEP/3 TC11 INOX/LUC
39	70848839	FRONT.SAE/1 TC11 INOX/LUC	SAE FRONT./1 TC11 STEEL/LUC	ELEM.FRONT.SAE/1 TC11 INOX/LUC	FRONT.SAE/1 TC11 STAHL/LUC	FRONT.SAE/1 TC11 INOX/LUC
39	70848840	FRONT.SAE/2 TC11 INOX/LUC	SAE FRONT./2 TC11 STEEL/LUC	ELEM.FRONT.SAE/2 TC11 INOX/LUC	FRONT.SAE/2 TC11 STAHL/LUC	FRONT.SAE/2 TC11 INOX/LUC
39	70848841	FRONT.SAE/3 TC11 INOX/LUC	SAE FRONT./3 TC11 STEEL/LUC	ELEM.FRONT.SAE/3 TC11 INOX/LUC	FRONT.SAE/3 TC11 STAHL/LUC	FRONT.SAE/3 TC11 INOX/LUC
40	70848842	FRONT.SAE/1+DISP.TC11 INOX	SAE FRONT./1+C.C. TC11 STEEL	ELEM.FRONT.SAE/1+C.C. TC11 INOX	FRONT.SAE/1+C.C. TC11 STAHL	FRONT.SAE.CC/1 TC11 INOX
40	70848843	FRONT.SAE/2+DISP.TC11 INOX	SAE FRONT./2+C.C. TC11 STEEL	ELEM.FRONT.SAE/2+C.C. TC11 INOX	FRONT.SAE/2+C.C. TC11 STAHL	FRONT.SAE.CC/2 TC11 INOX
40	70848844	FRONT.SAE/3+DISP.TC11 INOX	SAE FRONT./3+C.C. TC11 STEEL	ELEM.FRONT.SAE/3+C.C. TC11 INOX	FRONT.SAE/3+C.C. TC11 STAHL	FRONT.SAE.CC/3 TC11 INOX
41	18359100	PULSANTIERA CAPACIT.4T INTEAxTC	TOUCH PAD 4T INTEAxTC	CLAVIER A TOUCHES 4T INTEAxTC	DRUCKKNOPFTAFEL 4T INTEAxTC	PULSATIERA 4T INTEAxTC
42	18088012	MODULO DISPLAY INTEAxTC	DISPLAY INTEAxTC	DISPLAY INTEAxTC	DISPLAY INTEAxTC	DISPLAY INTEAxTC
43	18263	INT.BIP.NERO LED LUMIN.ROSSO	BIP. LUMIN. BLACK SWITCH	INTER.BIP.LUMIN. NOIR	ZWEIP.SCHALTER M. SCHWARZ LEUCHE	INTRERUP.BIP.NEGRU
44	12155001	GUARN. CU 8.5x3.3x1	CU GASKET 8.5x3.3x1	JOINT CU 8.5x3.3x1	CU DICHTUNG 8.5x3.3x1	GARN. DIN CU 8.5x3.3x1
45	23082	BUSSOLA ANKOR 4MAX7.5 OTTONE	BUSSOLA ANKOR 4MAX7.5 BRASS	BUSSOLA ANKOR 4MAX7.5 LAITON	BUSSOLA ANKOR 4MAX7.5 BRASS	BUSSOLA ANKOR 4MAX7.5 ALAMA
46	77595021	FERMA FRONTONE TC11	SUPPORT FRONT. TC11	SUPPORT FRONT. TC11	HALTER FRONT. TC11	SUPORT FRONTON TC11



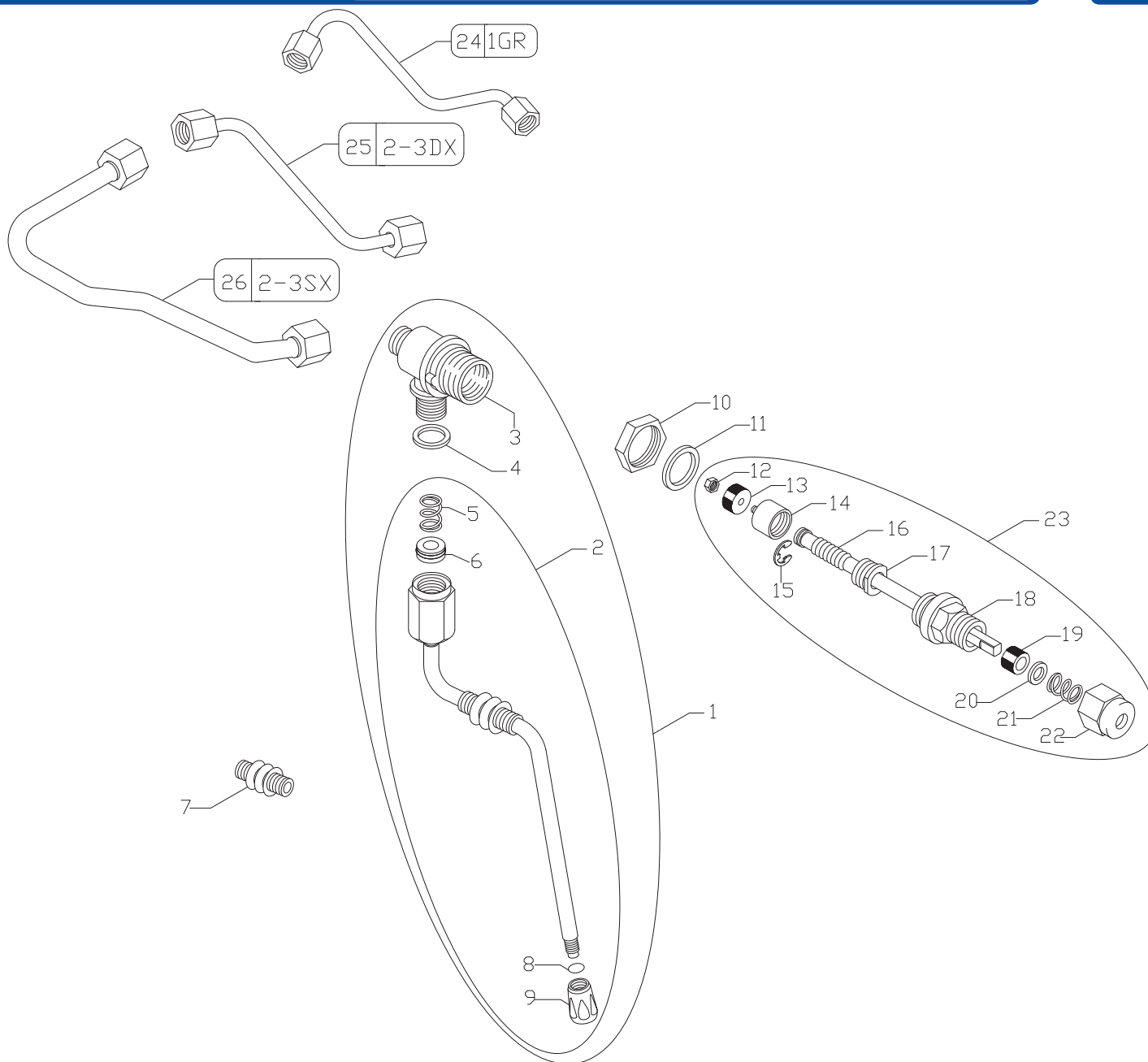
Pos	Cod.	Denominazione - IT -	Denomination - GB -	Denomination - FR -	Denomination - DE -	Denumire - RO -
1	73130143	FIANCO INF.SX TC11 BORDEAUX	SIDE PANEL LOWER LEFT TC11 BORDEAUX	COTE INF.GAUCHE TC11 BORDEAUX	SEITE LINKE TC11 BORDEAUX	LATERALA INF. ST. TC11 BORDEAUX
2	73130142	FIANCO INF.DX TC11 BORDEAUX	SIDE PANEL LOWER RIGHT TC11 BORDEAUX	COTE INF.DROIT TC11 BORDEAUX	SEITE RECHT TC11 BORDEAUX	LATERALA INF. DR. TC11 BORDEAUX
3	73130149	FIANCO SUP.SX TC11 INOX/LUC	SIDE PANEL UPPER LEFT TC11 S.STEEL	COTE SUP.GAUCHE TC11 INOX	SEITE OBER LINKE TC11 STAHL	LATERALA DIN INOX-LU SUP.DR.TC11
4	73130148	FIANCO SUP.DX TC11 INOX/LUC	SIDE PANEL UPPER RIGHT TC11 S.STEEL	COTE SUP.DROIT TC11 INOX	SEITE OBER RECHT TC11 STAHL	LATERALA DIN INOX/LU SUP.ST.TC11
5	75269843	PANN.CARR.POST.1GR TC11 INOX/LUC	BACK TOP PANEL 1GR TC11 S.STEEL	PANNEAU CAROSS.SUP.1GR TC11 INOX	TAFEL KAROSS. OBER 1GR TC11 STHAL	PANOU POST. DIN INOX/LU 1GR TC11
5	75269844	PANN.CARR.POST.2GR TC11 INOX/LUC	BACK TOP PANEL 2GR TC11 S.STEEL	PANNEAU CAROSS.SUP.2GR TC11 INOX	TAFEL KAROSS. OBER 2GR TC11 STHAL	PANOU POST. DIN INOX/LU 2GR TC11
5	75269845	PANN.CARR.POST.3GR TC11 INOX/LUC	BACK TOP PANEL 3GR TC11 S.STEEL	PANNEAU CAROSS.SUP.3GR TC11 INOX	TAFEL KAROSS. OBER 3GR TC11 STHAL	PANOU POST. DIN INOX/LU 3GR TC11
6	77487830	PROF.BAS.POST.1GR TC11 BORDEAUX	PROF.BASE PROF.BACK 1GR TC11 BORDEAUX	PROFIL BASE POST.1GR TC11 BORDEAUX	BASISPROF.HINTERES 1GR TC11 RAL3005	PROF.BAZ.POST.1GR TC11 BORDEAUX
6	77487831	PROF.BAS.POST.2GR TC11 BORDEAUX	PROF.BASE PROF.BACK 2GR TC11 BORDEAUX	PROFIL BASE POST.2GR TC11 BORDEAUX	BASISPROF.HINTERES 2GR TC11 RAL3005	PROF.BAZ.POST.2GR TC11 BORDEAUX
6	77487832	PROF.BAS.POST.3GR TC11 BORDEAUX	PROF.BASE PROF.BACK 3GR TC11 BORDEAUX	PROFIL BASE POST.3GR TC11 BORDEAUX	BASISPROF.HINTERES 3GR TC11 RAL3005	PROF.BAZ.POST.3GR TC11 BORDEAUX
7	77487842	PROF.BAS.ANT.1GR TC11 BORDEAUX	COL.TC BORDEAUX BASE PROF.ANT.1GR	PROF.BASE ANT.1GR TC11 BORDEAUX	BASISPROF.VORDER 1GR TC11 BORDEAUX	PROF.BAZ.ANT.1GR TC11 BORDEAUX
7	77487843	PROF.BAS.ANT.2GR TC11 BORDEAUX	COL.TC BORDEAUX BASE PROF.ANT.2GR	PROF.BASE ANT.2GR TC11 BORDEAUX	BASISPROF.VORDER 2GR TC11 BORDEAUX	PROF.BAZ.ANT.2GR TC11 BORDEAUX
7	77487844	PROF.BAS.ANT.3GR TC11 BORDEAUX	COL.TC BORDEAUX BASE PROF.ANT.3GR	PROF.BASE ANT.3GR TC11 BORDEAUX	BASISPROF.VORDER 3GR TC11 BORDEAUX	PROF.BAZ.ANT.3GR TC11 BORDEAUX
8	77169057	PROF.FERMATAZZE SX TC11 INOX	PROF.LEFT TC11 STEEL	PROF.GAUCHE TC11 INOX	PROF.LINKE TC11 STAHL	PROF.OPR.CESTI ST.TC11 INOX
9	77169056	PROF.FERMATAZZE DX TC11 INOX	PROF.RIGHT TC11 STEEL	PROF.DROIT TC11 INOX	PROF.RECHT TC11 STAHL	PROF.OPR.CESTI DR.TC11 INOX
10	77169058	PROF.SUPERIORE 1GR TC11 INOX	PROF.SUP.1GR TC11 STEEL	PROF.SUP.1GR TC11 INOX	PROF.OBER 1GR TC11 STAHL	PROF.OPR.CESTI SUP.1GR TC11 INOX
10	77169059	PROF.SUPERIORE 2GR TC11 INOX	PROF.SUP.2GR TC11 STEEL	PROF.SUP.2GR TC11 INOX	PROF.OBER 2GR TC11 STAHL	PROF.OPR.CESTI SUP.2GR TC11 INOX
10	77169060	PROF.SUPERIORE 3GR TC11 INOX	PROF.SUP.3GR TC11 STEEL	PROF.SUP.3GR TC11 INOX	PROF.OBER 3GR TC11 STAHL	PROF.OPR.CESTI SUP.3GR TC11 INOX
11	15018027	FIANCO SX.PER FRONT.ABS CR.TC11	SIDE PANEL LEFT FOR FRONT.ABS CR.TC11	COTE GAUCHE POUR FRONT.ABS CR.TC11	SEITE LINKE FUR FRONT.ABS.CR.TC11	LATERALA ST.PT.FRONT.POST.ABS CR.TC11
12	15018026	FIANCO DX.PER FRONT.ABS CR.TC11	SIDE PANEL RIGHT FOR FRONT.ABS.CR.TC11	COTE DROIT POUR FRONT.ABS CR.TC11	SEITE RECHT FUR FRONT.ABS.CR.TC11	LATERALA DR.PT.FRONT.POST.ABS CR.TC11
13	77169053	PROF.FERMAT.ANT.1GR TC11 IN/LUC	PROF.ANT.1GR TC11 IN/LUC	PROF.ANT.1GR TC11 IN/LUC	PROF.VORDER 1GR TC11 IN/LUC	PROF.OPR.CESTI ANT.1GR TC11 IN/LUC
13	77169054	PROF.FERMAT.ANT.2GR TC11 IN/LUC	PROF.ANT.2GR TC11 IN/LUC	PROF.ANT.2GR TC11 IN/LUC	PROF.VORDER 2GR TC11 IN/LUC	PROF.OPR.CESTI ANT.2GR TC11 IN/LUC
13	77169055	PROF.FERMAT.ANT.3GR TC11 IN/LUC	PROF.ANT.3GR TC11 IN/LUC	PROF.ANT.3GR TC11 IN/LUC	PROF.VORDER 3GR TC11 IN/LUC	PROF.OPR.CESTI ANT.3GR TC11 IN/LUC
14	76100168	GRIGLIA SUP.1GR TC11 INOX/LUC	1GR UPPER STAINLESS TC11 COVER GRILL	GRILLE SUPERIEURE 1 GR TC11 INOX	OBERGITTER 1GR NL TC 11STAHL	GRILAJ SUP. DIN INOX TC11 1GR
14	76100169	GRIGLIA SUP.2GR TC11 INOX/LUC	2GR UPPER STAINLESS TC11 COVER GRILL	GRILLE SUPERIEURE 2 GR TC11 INOX	OBERGITTER 2GR NL TC11 STAHL	GRILAJ SUP. DIN INOX TC11 2GR
14	76100170	GRIGLIA SUP.3GR TC11 INOX/LUC	3GR UPPER STAINLESS TC11 COVER GRILL	GRILLE SUPERIEURE 3 GR TC11 INOX	OBERGITTER 3GR NL TC11 STAHL	GRILAJ SUP. DIN INOX TC11 3GR
15	77308039	COPRIMPIANTO 1GR TC11	CABLE-COVER 1GR TC11	COUVRE-CABLAGE 1GR TC11	VERDAHTUNHDECKEL 1GR TC11	PROT.INST.1GR TC11
15	77308040	COPRIMPIANTO 2GR TC11	CABLE-COVER 2GR TC11	COUVRE-CABLAGE 2GR TC11	VERDAHTUNHDECKEL 2GR TC11	PROT.INST.2GR TC11
15	77308041	COPRIMPIANTO 3GR TC11	CABLE-COVER 3GR TC11	COUVRE-CABLAGE 3GR TC11	VERDAHTUNHDECKEL 3GR TC11	PROT.INST.3GR TC11
16	15272	MANOPOLA RUB.VAP.WE(NOVA)	STEAM TAP KNOB (NEW)	POIGNEE ROBINET VAP.(NOUVEAU)	DAMPF-HAHNGRIFF (NEU)	MANER PT. ROBINETUL DE VAPORI (NOU)
17	15273	MANOPOLA RUB.H2O.WE(NOVA)	WATER TAP KNOB (NEW)	POIGNEE ROBINET EAU (NOUVEAU)	WASSER-HAHNGRIFF (NEU)	MANER PT. ROBINETUL DE APA (NOU)
18	77044111	COPRICALDAIA ER/1 TC11 INOX/LUC	S.STEEL BOILER COVER TC11 1GR	COUVRE-CHAUDIERE INOX TC11 1GR	KESSELDECKEL 1GR TC11 STAHL	PROTECTIE CAZAN ER/1 TC11 INOX/LU
18	77044112	COPRICALDAIA ER/2 TC11 INOX/LUC	S.STEEL BOILER COVER TC11 2GR	COUVRE-CHAUDIERE INOX TC11 2GR	KESSELDECKEL 2GR TC11 STAHL	PROTECTIE CAZAN ER/2 TC11 INOX/LU
18	77044113	COPRICALDAIA ER/3 TC11 INOX/LUC	S.STEEL BOILER COVER TC11 3GR	COUVRE-CHAUDIERE INOX TC11 3GR	KESSELDECKEL 3GR TC11 STAHL	PROTECTIE CAZAN ER/3 TC11 INOX/LU
18	77044114	COPRICALDAIA ER/1+DISPLAY TC11 IN/	S.STEEL BOILER COVER 1GR+DISPLAY	COUVRE-CHAUDIERE INOX 1GR+DISPLAY	KESSELDECKEL 1GR+DISPLAY STAHL	PROTECTIE CAZAN ER/1+DISPLAY TC IN/L
18	77044115	COPRICALDAIA ER/2+DISPLAY TC11 IN/	S.STEEL BOILER COVER 2GR+DISPLAY	COUVRE-CHAUDIERE INOX 2GR+DISPLAY	KESSELDECKEL 2GR+DISPLAY STAHL	PROTECTIE CAZAN ER/2+DISPLAY TC IN/L
18	77044116	COPRICALDAIA ER/3+DISPLAY TC11 IN/	S.STEEL BOILER COVER 3GR+DISPLAY	COUVRE-CHAUDIERE INOX 3GR+DISPLAY	KESSELDECKEL 3GR+DISPLAY STAHL	PROTECTIE CAZAN ER/3+DISPLAY TC IN/L
19	21202	SENGALIVELLO OVE TUV INCOLORE	COLOURLESS LEVEL INDICATOR OVE-TUV	SIGNAL NIVEAU OVE-TUV	FARBLOSER NIVEAUANZEIGER OVE-TUV	INDICATOR NIVEL OVE-TUV INCOLOR
20	21162220	PLEXIGLASS SUP. 1GR TC11	PLEXIGLASS UPPER 1GR TC11	PLEXIGLASS SUPERIEURE 1GR TC11	PLEXIGLASS OBER 1GR TC11	PLEXIGLASS SUP. 1GR TC11
20	21162221	PLEXIGLASS SUP. 2GR TC11	PLEXIGLASS UPPER 2GR TC11	PLEXIGLASS SUPERIEURE 2GR TC11	PLEXIGLASS OBER 2GR TC11	PLEXIGLASS SUP. 2GR TC11



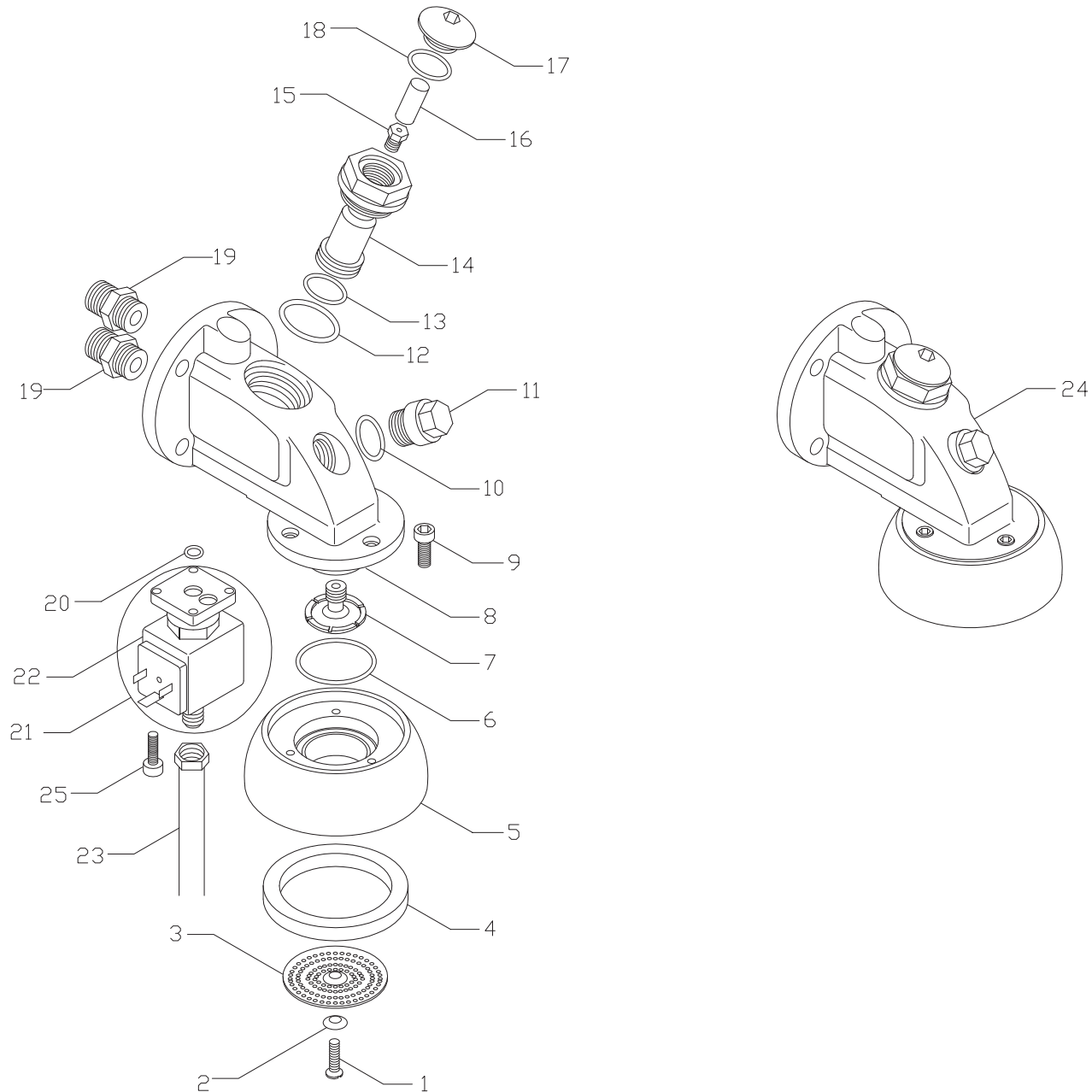
Pos	Cod.	Denominazione - IT -	Denomination - GB -	Denomination - FR -	Denomination - DE -	Denumire - RO -
20	21162222	PLEXIGLASS SUP. 3GR TC11	PLEXIGLASS UPPER 3GR TC11	PLEXIGLASS SUPERIEUR 3GR TC11	PLEXIGLASS OBERNIVEAU 3GR TC1	PLEXIGLASS SUP. 3GR TC11
21	77602004	COPRIELETTRIVALVOLA INF.ER.TC.IN.	S.STEEL SOL.VALVE LOWER COVER	COUVRE-ELECTROVANNE INFERIEUR INOX	GRUPPENMAGNETVENTIL UNTERNIVEAU	PROTECTIE ELECTROV.INF.ER./LU
22	77602005	COPRIELETTRIVALVOLA SUP.ER.TC.IN.	S.STEEL SOL.VALVE UPPER COVER	COUVRE-ELECTROVANNE SUPERIEUR INOX	GRUPPENMAGNETVENTIL OBERNIVEAU	PROTECTIE ELECTROV.SUP.ER./LU
23	23420	VITE TE OT M6x12 NICHELATA	M6x12NICHEL-PLATED BRASS HEX.HEAD	VIS TH LAITON M6x12 NICKEELEE	SECHSKANTSCHRAUBE AUS MESS.M6x12	SURUB DIN ALAMA M6x12 NICHELAT
24	15486002	TAPO FORO INTERRUPTORE	SWITCH HOLE PLUG	CAPUCHON TROU INTERRUPT.	ABDECKUNG SCHALTERLOCH	CAPAC DIN PLASTIC PT. INTRERUPATOR
25	77741	GUIDA DX-SX BACINELLAxTELA	R -L BASIN GUIDE FOR FRAMES	GUIDE DX-SX CUVE x CHASSIS	FÜHRUNG R-L SCHALE FÜR RAH	GHIDAJ DR-ST PT.TAVA DE SCUR.SI T.
26	77742005	DIST. GUIDA BACINELLA BR	SPACER GLOSSY	ENTRETOISE CUVE	DISTANZSTUCK	DIST.PT.GHIDAJ PT.TAVA DE SCUR.SI T
27	78150072	SUPP.MANOMETRO 1>3GR TOUCH	GAUGE SUPPORT 1 3GR	SUPPORT MANOMETRE 1 3GR	MANOMETERHALTER 1 3GR	SUPORT MANOMETRU 1>3GR TOUCH
28	21112	MANOMETRO TONDO D.SCALA BRAVA	PRESSURE GAUGE	MANOMETRE	MANOMETER	MANOMETRU
29	21114	MANOMETRO TONDO 16BAR	ROUND PRESSURE GAUGE 16ATM	MANOMETRE ROND 16 ATM	MANOMETER 16 ATM	MANOMETRU 16 BAR
30	77607071	SUPP.DX FIANCO TOUCH	RIGHT PANEL SUPPORT TOUCH	DROIT COTE SUPPORT TOUCH	SATTEL RECHT SEITE TOUCH	SUPORT LAT. DR. TOUCH
31	77607072	SUPP.SX FIANCO TOUCH	LEFT PANEL SUPPORT TOUCH	GAUCHE COTE SUPPORT TOUCH	SATTEL LINKE SEITE TOUCH	SUPORT LAT. ST. TOUCH
32	15318	PIEDINO REGOL.IN./SAT H55/69	ADJUSTABLE FOOT H55/69	PIED REGLABLE H55/69	REGELBARER FUSS H55/69	PICIOARE REGLABILE INOX/SAT H55/69
33	76095	BACINELLA 1 GR ARGENTA IN./L	1GR GLOSSY STAINLESS STEEL TRAY	BASSINELLE 1GR INOX BRILLANT	STAHLSCHALE 1GR	TAVA DE SCURGERE DIN INOX LU. 1GR
33	76096	BACINELLA 2 GR ARGENTA IN./L	2GR GLOSSY STAINLESS STEEL TRAY	BASSINELLE 2GR INOX BRILLANT	STAHLSCHALE 2GR	TAVA DE SCURGERE DIN INOX LU. 2GR
33	76097	BACINELLA 3 GR ARGENTA IN./L	3GR GLOSSY STAINLESS STEEL TRAY	BASSINELLE 3GR INOX BRILLANT	STAHLSCHALE 3GR	TAVA DE SCURGERE DIN INOX LU. 3GR
34	76153000	GRIGLIA INF.WN01 I/L.456x201	LOWER GRILL 456x201 SHINY S.STEEL	GRILLE INF.INOX 456x201	STAHL-UNTERGITTER 456x201	GRILAJ INF.WN01 INOX/L.456x201
35	76154000	GRIGLIA INF.DX.WN01 I/L.338.5x201	RIGHT LOWER GRILL - SHINY S.STEEL	GRILLE INF.DROIT INOX 338, 5x201	STAHL-UNTER-RECHTEGITTER 338,5x201	GRILAJ INF.DR.WN01 IN./L.338.5x201
36	76155000	GRIGLIA INF.SX.WN01 I/L.338.5x201	LEFT LOWER GRILL - SHINY S.STEEL	GRILLE INF.GAUCHE INOX 338, 5x201	STAHL-UNTER-LINKEGITTER 338,5x201	GRILAJ INF.ST.WN01 IN./L.338.5x201
37	76156000	GRIGLIA INF.WN01 I/L.253x201	LOWER GRILL 253x201 - SHINY S.STEEL	GRILLE INF.INOX 253x201	STAHL-UNTERGITTER 253x201	GRILAJ INF.WN01 INOX/L.253x201
38	70848836	FRONT.AEP/1 TC11 INOX/LUC	AEP FRONT./1 TC11 STEEL/LUC	ELEM.FRONT.AEP/1 TC11 INOX/LUC	FRONT.AEP/1 TC11 STAHL/LUC	FRONT.AEP/1 TC11 INOX/LUC
38	70848837	FRONT.AEP/2 TC11 INOX/LUC	AEP FRONT./2 TC11 STEEL/LUC	ELEM.FRONT.AEP/2 TC11 INOX/LUC	FRONT.AEP/2 TC11 STAHL/LUC	FRONT.AEP/2 TC11 INOX/LUC
38	70848838	FRONT.AEP/3 TC11 INOX/LUC	AEP FRONT./3 TC11 STEEL/LUC	ELEM.FRONT.AEP/3 TC11 INOX/LUC	FRONT.AEP/3 TC11 STAHL/LUC	FRONT.AEP/3 TC11 INOX/LUC
39	70848839	FRONT.SAE/1 TC11 INOX/LUC	SAE FRONT./1 TC11 STEEL/LUC	ELEM.FRONT.SAE/1 TC11 INOX/LUC	FRONT.SAE/1 TC11 STAHL/LUC	FRONT.SAE/1 TC11 INOX/LUC
39	70848840	FRONT.SAE/2 TC11 INOX/LUC	SAE FRONT./2 TC11 STEEL/LUC	ELEM.FRONT.SAE/2 TC11 INOX/LUC	FRONT.SAE/2 TC11 STAHL/LUC	FRONT.SAE/2 TC11 INOX/LUC
39	70848841	FRONT.SAE/3 TC11 INOX/LUC	SAE FRONT./3 TC11 STEEL/LUC	ELEM.FRONT.SAE/3 TC11 INOX/LUC	FRONT.SAE/3 TC11 STAHL/LUC	FRONT.SAE/3 TC11 INOX/LUC
40	70848842	FRONT.SAE/1+DISP.TC11 INOX	SAE FRONT./1+C.C. TC11 STEEL	ELEM.FRONT.SAE/1+C.C. TC11 INOX	FRONT.SAE/1+C.C. TC11 STAHL	FRONT.SAE.CC/1 TC11 INOX
40	70848843	FRONT.SAE/2+DISP.TC11 INOX	SAE FRONT./2+C.C. TC11 STEEL	ELEM.FRONT.SAE/2+C.C. TC11 INOX	FRONT.SAE/2+C.C. TC11 STAHL	FRONT.SAE.CC/2 TC11 INOX
40	70848844	FRONT.SAE/3+DISP.TC11 INOX	SAE FRONT./3+C.C. TC11 STEEL	ELEM.FRONT.SAE/3+C.C. TC11 INOX	FRONT.SAE/3+C.C. TC11 STAHL	FRONT.SAE.CC/3 TC11 INOX
41	18359100	PULSANTIERA CAPACIT.4T INTEaTC	TOUCH PAD 4T INTEaTC	CLAVIER A TOUCHES 4T INTEaTC	DRUCKNOPFTAFEL 4T INTEaTC	PULSATIERA 4T INTEaTC
42	18088012	MODULO DISPLAY INTEaTC	DISPLAY INTEaTC	DISPLAY INTEaTC	DISPLAY INTEaTC	DISPLAY INTEaTC
43	18263	INT.BIP.NERO LED LUMIN.ROSSO	BIP. LUMIN. BLACK SWITCH	INTER.BIP.LUMIN. NOIR	ZWEIP.SCHALTER M. SCHWARZ LEUCHE	INTRERUP.BIP.NEGRU
44	12155001	GUARN. CU 8.5x3.3x1	CU GASKET 8.5x3.3x1	JOINT CU 8.5x3.3x1	CU DICHTUNG 8.5x3.3x1	GARN. DIN CU 8.5x3.3x1
45	23082	BUSSOLA ANKOR 4MAx7.5 OTTONE	BUSSOLA ANKOR 4MAx7.5 BRASS	BUSSOLA ANKOR 4MAx7.5 LAITON	BUSSOLA ANKOR 4MAx7.5 BRASS	BUSSOLA ANKOR 4MAx7.5 ALAMA
46	77595021	FERMA FRONTONE TC11	SUPPORT FRONT. TC11	SUPPORT FRONT. TC11	HALTER FRONT. TC11	SUPORT FRONTON TC11



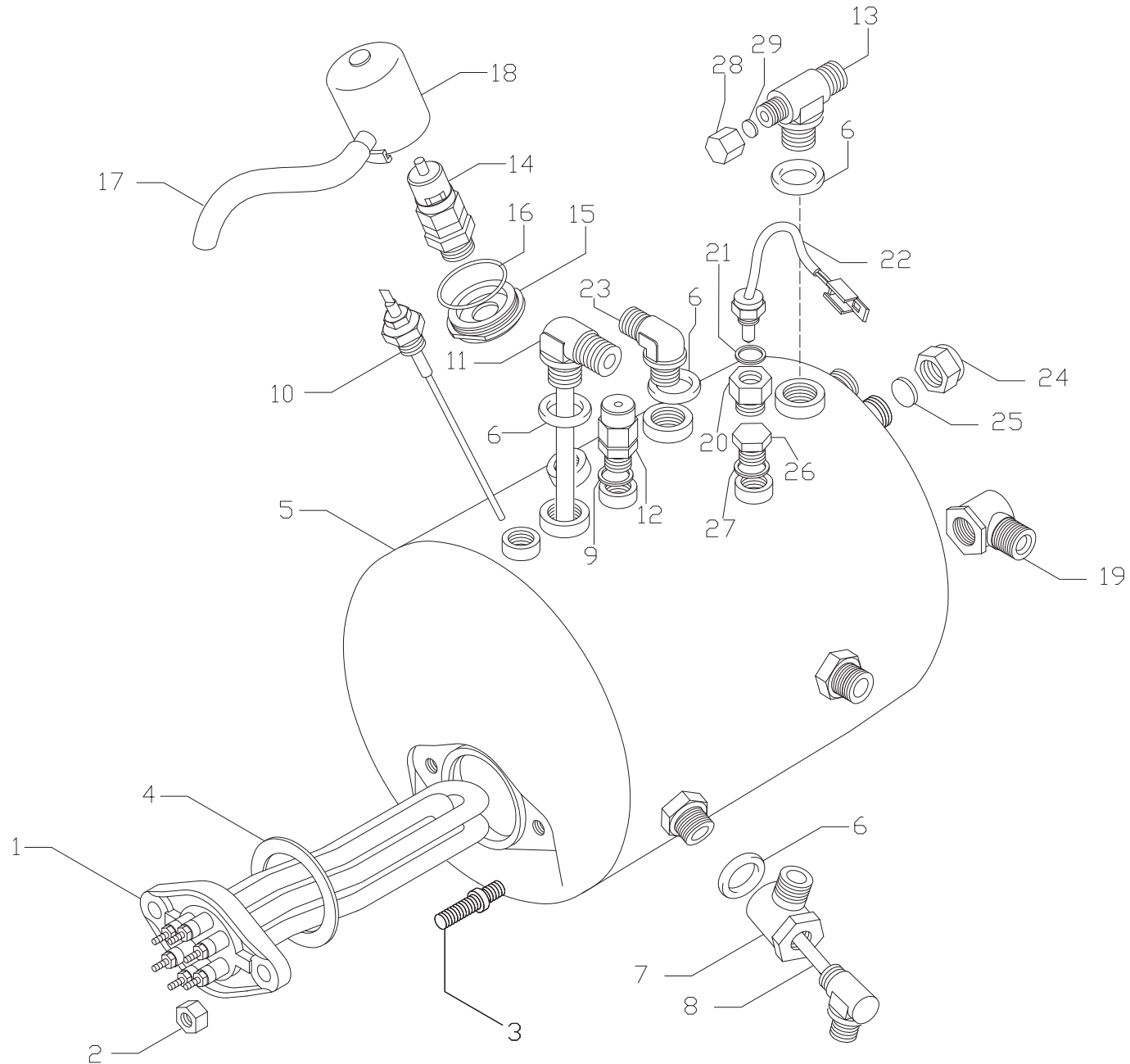
Pos	Cod.	Denominazione - IT -	Denomination - GB -	Denomination - FR -	Denomination - DE -	Denumire - RO -
1	10001	ANELLO ARRES.D6 INOX 316 DIN 6799	STEEL CIRCLIP 316 DIN 6799	CIRCLIP INOX 316 DIN 6799	STAHLHALTENRING 316 DIN 6799	INEL OPRIRE D.6 INOX 316 DIN 6799
2	25385001	DADO PREMISTOPPA COMPLETO	STUFFING NUT COMPLETE	ECROU DE PRESSE-ETOUPE COMPLET	STOPFBUCHSE MUTTER GANZ	PIULITA-DOP COMPLET
3	10452	MOLLA RUBINETTO H20/VAPORE N4	WATER/STEAM TAP SPRING N4	RESSORT DE ROB.EAU-VAPEUR N4	WASSER/DAMPF HAHNFED. N4	ARC PT. ROB.DE APA /VAP.N4
4	25655	RONDELLA RUBINETTO	TAP WASHER	RONDELLE ROBINET	HAHNSCHEIBE	SAIBA ROBINET
5	12204	GU GOMMA RUBIN. H20/VAP 12.5x7.5x9	TAP RUBBER GASKET 12.5x7.5x9	JOINT CAOUTCHOUC ROB. 12.5X7.5X9	HAHNDICHTUNG 12.5x7.5x9	GARN.CAUCIUC PT. ROB DE APA/VAP.
6	25678001	RACC.RUBINETTO	TAP FITTING	RACCORD ROBINET	HAHNANSCHLUSSTUCK	RACORD ROBINET
7	25461	GHIERA RUBINETTO	TAP RING NUT	EMBOUT ROBINET	HAHNZWINGE	PIULITA INELARA PT. ROBINET
8	25309	ASTA RUBINETTO CROMATA	CHROMED TAP SHAFT	TIGE ROBINET CHROME	HAHNSTANGE CHROM	BRAT (SUPORT) CROMAT PT. ROB.
9	25616	PISTONCINO RUBINETTO	TAP JUMPER	PISTON ROBINET	HAHNKOLBEN	PISTON ROBINET
10	12203	GU GOMMA 15x4x4	RUBBER GASKET 15x4x4	JOINT EN CAOUTCHOUC 15X4X4	GUMMIDICHTUNG 15x4x4	GARNITURA DIN CAUCIUC 15x4x4
11	23050	DADO OTTONE M3 UNI 5587	BRASS NUT M3 UNI 5587	ECROU LAITON M3 UNI 5587	MESSING-MUTTER M3 UNI 5587	PIULITA DIN ALAMA M3 UNI 5587
12	561001	ASSIEME RUBINETTO H20/VAPORE	WATER/STEAM TAP UNIT	ENSEMBLE ROBINET EAU/VAPEUR	WASSER/DAMPF ROHRSATZ	ANSAMBLU ROBINET APA/VAPORI
13	12158	GU CU RUB. 26x20.5x2	26x20.5x2 GASKET COPPER SEAL	JOINT CUIVRE 26x20.5x2	KUPFERDICHTUNG 26x20.5x2	GARN.DIN CUPRU PT. ROB. 26x20.5x2
14	25384	DADO OTTONE M26x1.5	BRASS NUT 26X1.5	ECROU LAITON 26X1.5	MESSING-MUTTER 26X1.5	PIULITA DIN ALAMA M26x1.5
15	53003	CORPO RUBINETTO	TAP BODY	CORPS DE ROBINET	HAHNKRPER	CORP ROBINET
16	52003419	TUB.D-8 L.390 TC 1GR W280 CLD>R.H20	TUBE D-8 L.390 TC 1GR W280	TUYAU D-8 L.390 TC 1GR W280	ROHR D-8 L.390 TOUCH 1GR W280	TUB D-8 L.390 1GR W280 CAZ.>R.H20
17	52003462	TUB.D-8 L.310 TC 2-3GR W323 CLD>R.H20	TUBE D-8 L.310 TC W323 2-3GR	TUYAU D-8 L.310 2-3GR TC W323	ROHR D-8 L.310 2-3GR TC W323	TUB D-8 L.310 2-3GR TC W323
18	56119086	ASS.TUBO CRH20 FISSA TOUCH GL 127/A	WATER PIPE CR TOUCH GL 127/A	TUYAU EAU CR TOUCH GL127/A	ROHR WASSER CR TOUCH GL127/A	ANS. TUB CR FIX PT. APA TOUCH GL127/A



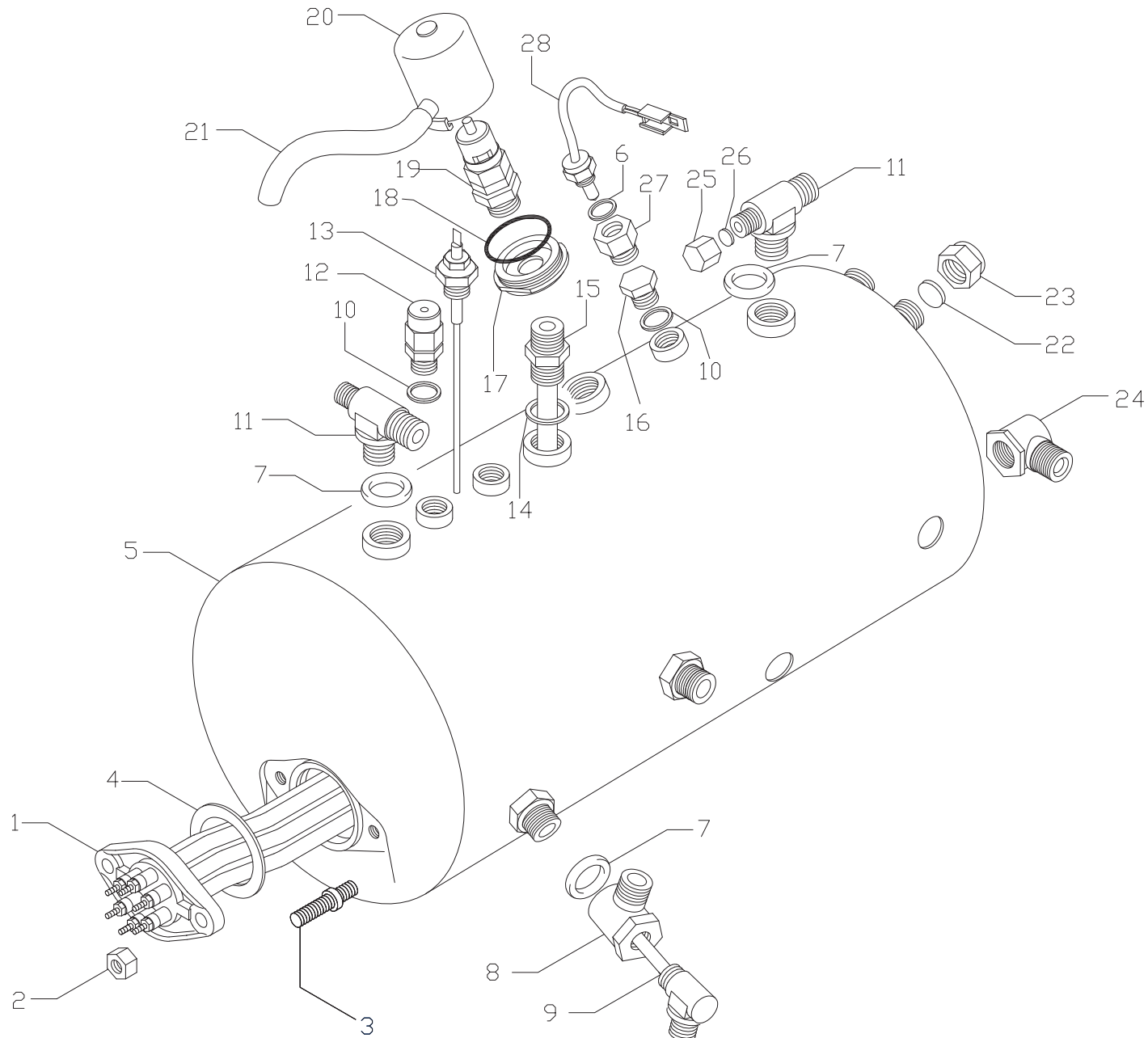
Pos	Cod.	Denominazione - IT -	Denomination - GB -	Denomination - FR -	Denomination - DE -	Denumire - RO -
1	25763344	ASS.TUBO VAP.IN.D.8 SPRUZZ.4FORI+C.	STAINLESS STEEL STEAM ARM D8	TUYAU VAPEUR INOX SP. D.8	SATZ DAMPF ROHR INOX D.8-DAMPFDUSE	ANS.TUB VAP.D8-DISP.DE ELIB.VAP-4 ORIF.
2	25763149	TUBO VAP.IN.D.8 SPRUZZ.4FORI	TUBE STEAM STAINLESS STEEL ARM D.8	TUYAU VAPEUR INOX D.8 ATOMISEUR	DAMPF ROHR INOX D.8-DAMPFDUSE	TUB VAP.I.D.8 CU DISP.DE ELIB.VAP-4ORIF.
3	53003	CORPO RUBINETTO	TAP BODY	CORPS DE ROBINET	HAHNKRPER	CORP ROBINET
4	12010	GU TEFLON x H2O/VAP 21x17x2 cnn	PIPE GASKET TEFLON 21x17x2	JOINT TUYAU TEF.EAU/VAP 21x17x2	TEFLON-DICHTUNG WASSER/VAP 21x17x2	GARNITURA DE TEFLONxH2O/VAP. 21x17x2
5	10465001	MOLLA DE 11,4 DF 1,7 L.6 AISI 302	S.STEAM PIPE SPRING D11,4/1,7 L.6	RESSORT TUYAU VAP.IN.D11,4/1,7 L6	FEDER DAMPF.EDELSTAHL D11,4/1,7L.6	ARC 11,4 DF 1,7 L.6 AISI 302
6	12661	GU.OR CON LUNETTA P.M.CANNA VAP.IN	OR REST FOR ST.STEEL STEAM PIPE	OR LUNETTE P.RESS.TUYAU VAP. IN	HALBE OR-DICHT.F.FEDER DAMPFROHR ED	GARN.OR PT.ARC SI TUB DE VAP.INOX
7	15296000	GOMMINO ANTISCOT.RA x TUBO VAP.D8	AN-BURNING RUBBER EL.FOR ST.PIPE D8	ELEM.AN-BRULURE POUR T.VAP. D-8	GUMMI GEGEN VERBRENNUNGEN F. D.8	CAUCIUC IMP.ARD.PT.TEAVA DE VAP.D.8
8	12662000	GU ORM 0060 - 15 SPRUZZATORE	GASKET ORM 0060-15	JOINT ORM 0060-15	DICHTUNG ORM 0060-15	GARNITURA ORM 0060 - 15 PT. PULVERI.
9	25763080	SPRUZZ.VAP.IN.M8x1 4 FORI x TUBO D.8	STEEL STEAM SPRAYER	VAPORISATEUR INOX	STAHLDAMPFER	DISP.DE ELIB.VAP.-IN.CU 4GAURIXTUB D8
10	25384	DADO OTTONE M26x1.5	BRASS NUT 26X1.5	ECROU LAITON 26X1.5	MESSING-MUTTER 26X1.5	PIULITA DIN ALAMA M26x1.5
11	12158	GU CU RUB. 26x20.5x2	GASKET 26x20.5x2	JOINT 26x20.5x2	DICHTUNG 26x20.5x2	GARNITURA DIN CUPRU PT. ROB.26x20.5x2
12	23050	DADO OTTONE M3 UNI 5587	BRASS NUT M3 UNI 5587	ECROU LAITON M3 UNI 5587	MESSING-MUTTER M3 UNI 5587	PIULITA DIN ALAMA M3 UNI 5587
13	12203	GU GOMMA 15x4x4	RUBBER GASKET 15x4x4	JOINT EN CAOUTCHOUC 15X4X4	GUMMIDICHTUNG 15x4x4	GARNITURA DE CAUCIUC 15x4x4
14	25616	PISTONCINO RUBINETTO	TAP JUMPER	PISTON ROBINET	HAHNKOLBEN	PISTON ROBINET
15	10001	ANELLO ARRESTO D6 INOX 316 DIN 6799	STEEL CIRCLIP 316 DIN 6799	CIRCLIP INOX 316 DIN 6799	STAHLHALTENRING 316 DIN 6799	INEL OPRIRE D.6 INOX 316 DIN 6799
16	25309	ASTA RUBINETTO CROMATA	CHROMED TAP SHAFT	TIGE ROBINET CHROME	HAHNSTANGE CHROM	BRAT (SUPORT) CROMAT PT. ROBINET
17	25461	GHIERA RUBINETTO	TAP RING NUT	EMBOUT ROBINET	HAHNZWINGE	PIULITA INELARA PENTRU ROBINET
18	25678001	RACC.RUBINETTO	TAP FITTING	RACCORD ROBINET	HAHNANSCHLUSSTUCK	RACORD ROBINET
19	12204	GU GOMMA RUBIN. H2O/VAP 12.5x7.5x9	TAP RUBBER GASKET 12.5x7.5x9	JOINT CAOUTCHOUC ROB. 12.5X7.5X9	HAHNDICHTUNG 12.5x7.5x9	GARN.CAUCIUC PT. ROB. DE APA/VAP.
20	25655	RONDELLA RUBINETTO	TAP WASHER	RONDELLE ROBINET	HAHNSCHEIBE	SAIBA ROBINET
21	10452	MOLLA RUBINETTO H2O/VAPORE N4	WATER/STEAM TAP SPRING N4	RESSORT DE ROBINET EAU-VAPEUR N4	WASSER/DAMPF HAHNFEDER N4	ARC PT. ROB. DE APA/VAPORI N4
22	25385001	DADO PREMISTOPPA COMPLETO	STUFFING NUT COMPLETE	ECROU DE PRESSE-ETOUPE COMPLET	STOPFBUCHSE MUTTER GANZ	PIULITA-DOP COMPLET
23	561001	ASSIEME RUBINETTO H2O/VAPORE	WATER/STEAM TAP UNIT	ENSEMBLE ROBINET EAU/VAPEUR	WASSER/DAMPF ROHRSATZ	ANSAMBLU ROBINET APA/VAPORI
24	52003479	TBS.D-8 L.260 TC 1GR W385R R.V.>CLD	TUBE D-8 L.260 TC 1GR W385R R.V.>CLD	TUYAU D-8 L.260 TC 1GR W385R	ROHR D-8 L.260 TC 1GR W385R	TUB D-8 L.260 TC 1GR W385R R.VAP.>CAZ.
25	52001436	TUB.D-8 L.220 2-3GR CTS AR 59	TUBE D-8 L.220 2-3GR CTS AR59	TUYAU D-8 L.220 2-3GR CTS AR59	ROHR D-8 L.220 2-3GR CTS AR59	TUB.D-8 L.220 2-3GR CTS AR 59
26	52001434	TUB.D-8 L.280 2-3GR CTS AR 57	TUBE D-8 L.280 2-3GR CTS AR57	TUYAU D-8 L.280 2-3GR CTS AR57	ROHR D-8 L.280 2-3GR CTS AR57	TUB.D-8 L.280 2-3GR CTS AR 57



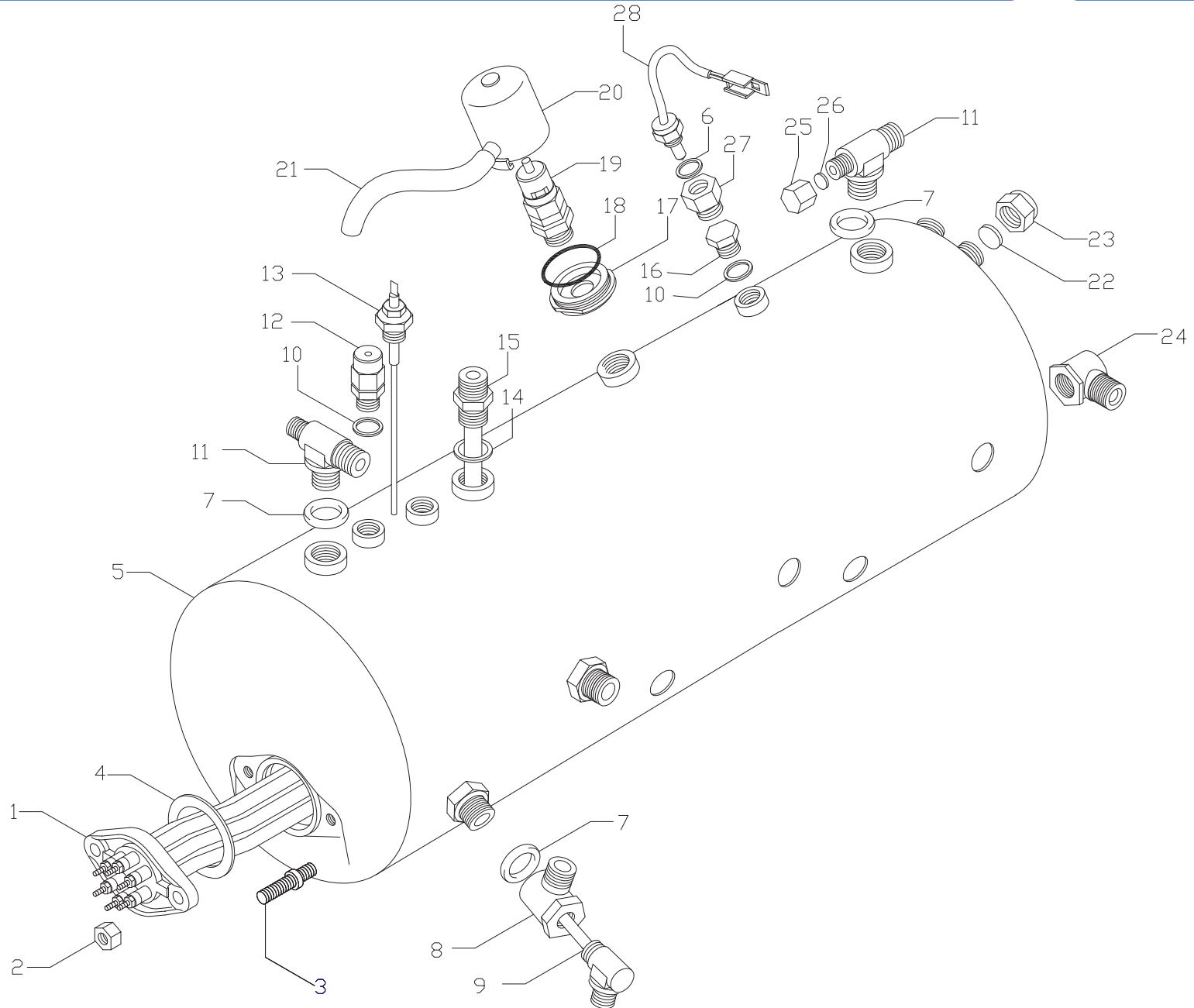
Pos	Cod.	Denominazione - IT -	Denomination - GB -	Denomination - FR -	Denomination - DE -	Denumire - RO -
1	23514	VITE TPS IN.5x20 TAGLIO CACCIAVITE	5x20 STAINLESS STEEL FLATHEAD SCREW	VIS TPS INOX 5x20 DE TOURNEVIS	SCHRAUBE TPS ROSTFREI 5x20	SURUB DIN INOX TPS M 5x20
2	23260014	RONDELLA INOX 12x5 DOCCETTA	INOX WASHER 12X5	RONDELLE INOX 12x5 DOUCHETTE	STAHL SCHEIBE 12x5 DUSCHE	SAIBA DIN INOX M 12x5
3	27100	DOCCETTA GRUPPO ER 51.9	GROUP SHOWER PLATE 51.9	DOUCHETTE GROUPE ER. 51.9	DUSCHE VERTEILEREINHEIT 51.9	SITA PT. GRUPUL DE EROGARE 51.9
4	12217	GU GOMMA S.COPPA 72x56x8 NORMALE	ST.SIZE FILTER SUPPORT GASKET 72x56x8	JOINT CAOUTCHOUC SAUCOUPE 72x56x8	FILTERHALTER GUMMIDICHTUNG 72x56x8	GARN.DIN CAUCIUC PT.GRUP 72x56x8
4	12215	GU GOMMA S.COPPA 72X56X8.5 MAGGIOR	LARGER SIZED FILT.SUPP. RUBBER 72X56X8.5	JOINT CAOUTCHOUC SOUCOUPE 72x56x8.5	FILTERHALTER GUMMIDICHTUNG 72X56X8.5	GARN.DIN CAUCIUC PT.GRUP 72x56x8.5
5	25250003	ANELLO AGGANCIATORE VE CROMATO	CHROMED CLAMPING RING	SABOT CHROME	CHROM GRUPPENRING	INEL CROMAT DE AGATARE
6	12300034	GU OR 3137 VITON Di34,6 CORDA 2,62	O RING SEAL 3137 VITON	JOINT OR 3137 VITON	O-RINGDICHT. 3137 VITON	GARN.OR 3137 VITON D.34,6
7	27105000	DIFF.GRUPPO WEGA x ADATTATORE	SPRAIER GROUP	DIFFUSEUR GROUPE	DIFFUSOR VERTEILEREINHEIT	PROPAGATOR PT. GRUP-WEGA
8	25368009	CORPO GRP ER CTS VE	DISTRIBUTION GROUP CTS VE	CORPS GROUPE DEBIT CTS VE	KORPER DER ABGABEGRUPPE CTS VE	CORP PT. GRUP ER. CTS VE
9	23552	VITE TCEI INOX 5X10	STEEL SCREW TCCE 5X10	VIS INOX TCCE 5X10	STAHLSCHRAUBE TCCE 5x10	SURUB DIN INOX TCEI M 5x10
10	12303	GU OR 119 HNBR TAPPO GRUPPO / VNR	CAP O RING GASKET 119	JOINT OR 119 POUR BOUCHON	OR DICHTUNG FUR STOPFEN 119	GARNITURA OR 119 HNBR
11	25789301	TAPPO CAMERA PREINFUSIONE GRP ESTR.	CAP GROUP	BOUCHON GROUPE	STOPFEN ABGABEGRUPPE	DOP PT. CAM.DE PREINF. A GRUPULUI
12	12300026	GU OR 0134 EPDM 17.86X2.62	O RING GASKET 0134 EPDM 17.86X2.62	JOINT OR 0134 EPDM 17.86X2.62	OR DICHTUNG 0134 EPDM 17.86X2.62	GARNITURA OR 0134 EPDM 17.86X2.62
13	12336001	GU OR 0134 EPDM 25.8x3.53	O RING GASKET 0134 EPDM 25.8x3.53	JOINT OR 0134 EPDM 25.8x3.53	OR DICHTUNG 0134 EPDM 25.8x3.53	GARNITURA OR 0134 EPDM 25.8x3.53
14	25739503	PORTAGIGLEUR GRUPPO CTS 03 VE	NOZZLE HOLDER GROUP CTS 03	PORTE-GICLEUR GROUPE CTS 03	DUSEHALTER GRUPPE CTS 03	PORTAJIGLER PT. GRUP CTS 03 VE
15	10300C	GIGLER OTT. X GRUPPO D 0.6	BRASS UNIT FOR JET D 0.6	GIGLEUR LAITON POUR GROUPE D 0.6	VERMESSINGTE GRUPPENDÜSE D 0.6	JIGLER DIN ALAMA PT. GRUP D. 0.6
16	10253	FILTRO GIGLER GRUPPO W527	JET FILTER	FILTRE GICLEUR	DUSE FILTER	FILTRU JIGLER PT. GRUP W527
17	25789306	TAPPO PORTA GIGLEUR GRUPPO CTS 03	CAP GROUP JET	BOUCHON GIGLEUR	STOPFEN EINSPRITZDUSE	DOP PORTAJIGLER PT. GRUP CTS 03
18	12336000	GU ORM 0170-30 HNBR 70Sh Di17x3 GRP	GASKET ORM 0170-30 HNBR 70Sh	JOINT ORM 0170-30 HNBR 70Sh	DICHTUNG ORM 0170-30 HNBR 70Sh	GARN. ORM 0170-30 HNBR 70Sh Di17x3
19	25687002	RACCORDO 3/8X3/8 GAS GRP CTS 03	CONNECTOR 3/8x3/8 CTS 03 UNIT	RACCORD 3/8x3/8 GR. CTS 03	ANSCHLUSS 3/8x3/8 CTS 03	RACORD 3/8X3/8 PT. GRUP CTS 03
20	12305	GU OR 105 GR.ELETT.VITON 70SH	O RING VITON SEAL 105 GREEN SOLENOI	JOINT OR 105 GR.ELECT.	O-RINGDICHT. 105 EKELTR. EINHEIT	GARN.OR 105 PT.ELECT.GR.VITON 70SH
21	18160002	ELETTROVAL.GRUPPO SIR 230V 50HZ	GROUP SOLENOID VALE SIR 230V 50HZ	ELECTROV.GROUPE SIR 230V 50HZ	GRUPPENMAGNETVENTIL SIR 230V 50HZ	ELECTROVAL.PT. GRUP SIR 230V 50HZ
22	18001002	BOBINA GRUPPO 230V SIR. 2A 32A	REEL SIR 230V 2A 32A	BOBINE SIR 230V 2A 32A	ROLLE SIR 230V 2A 32A	BOBINA PT. GRUP 230V SIR. 2A 32A
23	52000168	TBS.D-12 L.92 1-4GR RACCORD SCARICO	TUBE D-12 L.92 1-4GR	TUYAU D-12 L.92 1-4 GR	ROHR D-12 L.92 1-4 GR	TUB D-12 L.92 1-4 GR
24	56082112	GRUPPO CTS VE/CMA NEUTRO	DISTRIBUT.GROUP CTS VE/CMA NEUTER	GROUPE DEBIT CTS VE/CMA NEUTRE	AUSGABEGRUPPR CTS VE/CMA NEUTR.	GRUP CTS VE/CMA
25	23551	VITE TCEI INOX 4x12 UNI 5931 D	SCREW TCCE S.STEEL 4x12 UNI 5931 D	VIS TCCE INOX 4x12 UNI 5931 D	STAHLSCHRAUBE TCCE 4x12 UNI 5931 D	SURUB DIN INOX TCEI M4x12 UNI 5931



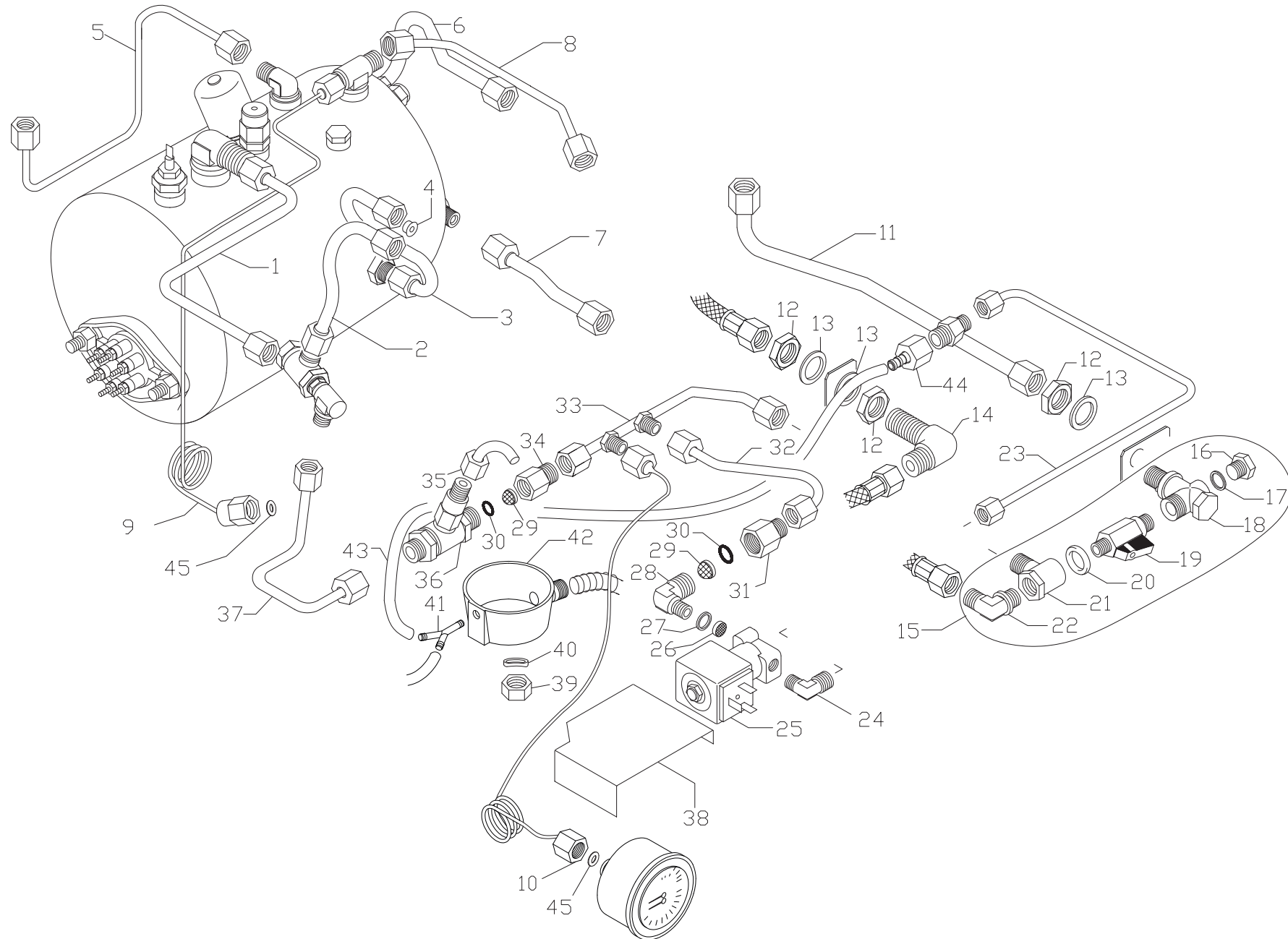
Pos	Cod.	Denominazione - IT -	Denomination - GB -	Denomination - FR -	Denomination - DE -	Denumire - RO -
1	17012	RES.1GR 6P 230/380V 2700W	HEAT.ELEM.1GR 230/380V 2700W 6P.	RESIST.1GR 230/380V 2700W 6P.	HEIZKORPER 1GR 230/380V 2700W 6P.	REZIST.1GR 6P 230/380V 2700W
2	23049	DADO OTTONE M8 UNI 5587	BRASS NUT M8 UNI 5587	ECROU LAITON M8 UNI 5587	MESSING-SCHRAUBENMUTTER M8 UNI 5587	PIULITA DIN ALAMA M8 UNI 5587
3	23132001	PRIG.INOX M8 FONDO CALD.ECON.	M8 S.STEEL BOTTOM STUD BOLT	PRISONNIER INOX M8 FOND	STIFTSCHRAUBE EDELSTAHL M8 BODEN	SURUB PT. PRINDEREA REZIS. PE CAZAN
4	12001	GU TEFLON VERGI.x RES/SCA 58x43x2	TEFLON GASKET ELEM./EXCH. 58x43x2	JOINT TEFLON RESIST/ECHANG.58x43x2	TEFLON DICHTUNG 58x23x2	GARNITUTRA DIN TEFLON 58x43x2
5	62020009	CLD 1GR CTS 6LT ECON.SC.80	BOILER 1GR CTS 6LT - ECO SC.80	CHAUDIERE 1GR CTS 6LT - ECO SC.80	KESSEL 1GR CTS 6LT - ECO SC.80	CAZAN 1GR CTS 6LT ECON. SC.80
6	12101	GU CU/ALIM 3/8 22x17x3	3/8 22x17x3 FEEDER/COPPER SEAL	JOINT CUIVRE/ALIM 3/8 22x17x3	KUPFERDICHTUNG/SPEIS. 3/8 22x17x3	GARNITURA CUPRU 3/8 22x17x3
7	43030001	RACC.INIETTORE IT.3/8Fx3/8Mx14F	3/8Fx3/8Mx14F INJECTOR FITTING	RACC. INJECTEUR 3/8Fx3/8Mx14F	ANSCHLUSS EINSPRITZER 3/8Fx3/8Mx14F	RAC.INJECTOR 3/8Fx3/8Mx14F
8	52000410	TBS.D-6 L.85 AEP-SAE/2 GL11 INIETT.	TUBE D-6 L.85 GL11	TUYAU D-6 L.85 GL11	ROHR D-6 L.85 GL11	TUB D-6 L.85 AEP-SAE/2 GL11
9	12153	GU CU 1/4 17x13.3x1.5	1/4 17x13.3x1.5 COPPER SEAL	JOINT CUIVRE 1/4 17x13.3x1.5	KUPFERDICHTUNG 1/4 17x13.3x1.5	GARN. DIN CUPRU 1/4 17x13.3x1.5
10	20251	SONDA LIV.TL 10/B L125 908600	TL 10/B L125 908600 LEVEL PROBE	JAUGE TL 10/B L125 908600	PEGELFÜHLER TL 10/B L125 908600	SONDA DE NIV.TL 10/B L125 908600
11	52000119	TBS.D-10 L.125 PESCANTE "L"A 50/A	D-10 L.125 PIPE CUPWARMER AT 50/A	TUYAU D-10 L.125 POUR ASPIRAT."L"A	ROHR D.10 L.125 A 50/A	TUB D-10 L.125 "L" A 50/A
12	56150	VALVOLA ANTIRISUCCHIO V.A.R.	ANTI-EDDY VALVE V.A.R.	SOUPAPE ANTI-DEPRESSION V.A.R.	VENTIL UNTERDRUCKFREI V.A.R.	VALVA ANTIRETUR V.A.R.
13	43033	RACC."T" 3/8x3/8x1/4	3/8x3/8x1/4 T FITTING	RACCORD "T" 3/8x3/8x1/4	ANSCHLUSS 3/8x3/8x1/4 T	RACORD "T" 3/8x3/8x1/4
14	20352	VALV.SICUREZZA *CE* + SIG.CMA	*CE* SAFETY VALVE	SOUPAPE DE SECURITE *CE*	SICHERHEITSVENTIL *CE*	VALVA DE SIGURANTA *CE*
15	15006001	FLANGIA GREENAMID 66 G50 H VALV.SIC.	FLANGE GREENAMID VALVE	JOINT GREENAMID VANNE	FLANSCH GREENAMID VENTIL	FLANSA GREENAMID PT.VALVA DE SIGUR.
16	12300000	GU OR 3156 VITON x VALV.SIC.	O RING VITON	JOINT OR VITON	OR DICHTUNG VITON	GARN. OR.3156 VITON PT.VALV.DE SIG.
17	15478002	TUBO SILICONE 8x11 L.70cm	SILICONE TUBE 8x11 L.70cm	TUYAU SILICONE 8x11 L.70cm	SILIKONROHR 8x11 L.70cm	FURTUN DIN SILICON 8x11 L.70cm
18	56009980	ASS.PROT.VALVOLE SICUREZZA	UNIT PROTECTION VALVE	ENSEMBLE PROTECTION VANNE	SATZ-SCHUTZGITTER VENTIL	ANS.DE PROT. PT. VALVA DE SIGURAN.
19	43070	RACC."L" 3/8F GAS CON. x 3/8M GAS	CONNECTOR L 3/8 GAS x 3/8 GAS	RACCORD L 3/8 GAZ x 3/8 GAZ	FITTING L 3/8 GAS x 3/8 GAS	RACORD "L" 3/8F GAS CU 3/8M GAS
20	25749001	RIDUZIONE 3/8M GAS-1/8F GAS NI	REDUCER 3/8M GAS -1/8F GAS NI	REDUCTEUR 3/8M GAS-1/8F GAS NI	REDUZIERER 3/8M GAS-1/8F GAS NI	RED. 3/8GAS-1/8F GAS NI
21	12151	GU CU DOSATORE SAE 13x10.2x1.5	CU GASKET FOR SAE DOSER 13x10.2x1.5	JOINT CU DE DOSEUR SAE 13x10.2x1.5	CU DICHTUNG FÜR SAE DOSIERANLAGE	GARNITURA DIN CUPRU 13x10.2x1.5
22	20306	TERMOSTATO SONDA NTC ES 13	THERMOSTAT NTC ES 13	THERMOSTAT NTC ES 13	TERMOSTAT NTC ES 13	TERMOSTAT NTC ES 13
23	43052	RACORD "L" 3/8	CONNECTOR "L" 3/8	RACCORD "L" 3/8	ANSCHLUSS "L" 3/8	RACORD "L" 3/8
24	25781	TAPPO FEMMINA 3/8	FEMALE CAP 3/8	BOUCHON FEMELLE 3/8	STOPFEN 3/8	DOP 3/8
25	12402	GU KLINGERSIL4400 PASTICCA 15x3	GASKET KLINGERSIL4400 15x3	JOINT KLINGERSIL4400 15x3	DICHTUNG KLINGERSIL4400 15x3	GARN. DIN KLINGERSIL4400 15x3
26	25785	TAPPO MASCHIO 3/8	MALE CAP 3/8	BOUCHON MALE 3/8	STOPFEN 3/8	DOP 3/8
27	12154	GUARNIZIONE CU 3/8 22X17X1.5	3/8 22X17X1.5 COPPER SEAL	JOINT CUIVRE 3/8 22X17X1.5	KUPFERDICHTUNG 3/8 22X17X1.5	GARNITURA DIN CUPRU 3/8 22x17x1.5
28	25782	TAPPO FEMMINA 1/4 GAS	1/4 GAS FEMALE TAP	BOUCHON FEMELLE 1/4 GAZ	INNENANSCHLUSSSTÖPSEL 1/4 GAS	DOP 1/4
29	12007	GUARNIZIONE KLINGERSIL4400	KLINGERSIL4400 COPPER SEAL	JOINT KLINGERSIL4400 POUR BOUCHON	DICHTUNG KLINGER SIL4400 X DECKEL	GARNITURA DIN KLINGERSIL4400



Pos	Cod.	Denominazione - IT -	Denomination - GB -	Denomination - FR -	Denomination - DE -	Denumire - RO -
1	17059	RESIST. 2G 6P 230/380V 3400W	HEATING EL.2GR 220/380V-3400W 6P	RESISTANCE 2GR 220/380V-3400W 6P	HEIZKORPER 2GR 220/380V-3400W 6P	REZIST.2GR 6P 230/380V 3400W
2	23049	DADO OTTONE M8 UNI 5587	BRASS NUT M8 UNI 5587	ECROU LAITON M8 UNI 5587	MESSING-SCHRAUBENMUTTER M8 UNI 5587	PIULITA DIN ALAMA M8 UNI 5587
3	23132001	PRIG.INOX M8 FONDO CALD.ECONO.	M8 STAINLESS STEEL BOTTOM STUD BOLT	PRISONNIER INOX M8 FOND	STIFTSCHRAUBE EDELSTAHL M8 BODEN	SURUB PT. PRINDEREA REZIS. PE CAZAN
4	12001	GU TEFLON VERG. x RES/SCA 58x43x2	TEFLON GASKET ELEMENT/EXCH. 58x43x2	JOINT TEFLON RESIST/ECHANG. 58x43x2	TEFLON DICHTUNG 58x23x2	GARNITUTRA DIN TEFLON 58x43x2
5	62143009	CALDAIA 2GR CTS ECONOMICA SC.80	BOILER 2GR CTS- ECO - SC.80	CHAUDIERE 2GR CTS - ECO SC.80	KESSEL 2GR CTS -ECO SC.80	CAZAN 2GR CTS ECON. SC.80
6	12151	GU CU DOSATORE SAE 13x10.2x1.5	CU GASKET FOR SAE DOSER 13x10.2x1.5	JOINT CU DE DOSEUR SAE 13x10.2x1.5	CU DICHTUNG FÜR SAE DOSIERANLAGE	GARNITURA DIN CUPRU 13x10.2x1.5
7	12101	GU CU/ALIM 3/8 22x17x3	3/8 22x17x3 FEEDER/COPPER SEAL	JOINT CUIVRE/ALIM 3/8 22x17x3	KUPFERDICHTUNG/SPEIS. 3/8 22x17x3	GARN. DIN CUPRU 3/8 22x17x3
8	43030001	RACC.INIETTORE 3/8Fx3/8Mx14F	3/8Fx3/8Mx14F INJECTOR FITTING	RACC. INJECTEUR 3/8Fx3/8Mx14F	ANSCHLUSS EINSPRITZER 3/8Fx3/8Mx14F	FRAC.INJECTOR 3/8Fx3/8Mx14F
9	52000410	TBS.D-6 L.85 AEP-SAE/2 GL11 INIETT.	TUBE D-6 L.85 GL11	TUYAU D-6 L.85 GL11	ROHR D-6 L.85 GL11	TUB D-6 L.85 AEP-SAE/2 GL11
10	12153	GU CU 1/4 17x13.3x1.5	1/4 17x13.3x1.5 COPPER SEAL	JOINT CUIVRE 1/4 17x13.3x1.5	KUPFERDICHTUNG 1/4 17x13.3x1.5	GARN. DIN CUPRU 1/4 17x13.3x1.5
11	43033	RACC."T" 3/8x3/8x1/4	3/8x3/8x1/4 T FITTING	RACCORD "T" 3/8x3/8x1/4	ANSCHLUSS 3/8x3/8x1/4 T	RACORD "T" 3/8x3/8x1/4
12	56150	VALVOLA ANTIRISUCCHIO V.A.R.	ANTI-EDDY VALVE V.A.R.	SOUPAPE ANTI-DEPRESSION V.A.R.	VENTIL UNTERDRUCKFREI V.A.R.	VALVA ANTIRETUR V.A.R.
13	20251	SONDA LIV. TL 10/B L125 908600	TL 10/B L125 908600 LEVEL PROBE	JAUGE TL 10/B L125 908600	PEGELFÜHLER TL 10/B L125 908600	SONDA DE NIVEL TL 10/B L125 908600
14	12154	GU CU 3/8 22x17x1.5	3/8 22x17x1.5 COPPER SEAL	JOINT CUIVRE 3/8 22x17x1.5	KUPFERDICHTUNG 3/8 22x17x1.5	GARNITURA DIN CUPRU 3/8 22x17x1.5
15	52001612	TBS.D-10 L.115 1>4GR DE 13 PES	TUBE D-10 L.115 1 4GR DE 13	TUYAU D-10 L.115 1 4GR DE 13	ROHR D-10 L.115 1 4GR DE 13	TUB D-10 L.115 1>4GR DE 13
16	25780	TAPPO MASCHIO OTTONE 1/4	BRASS MALE CAP 1/4	BOUCHON MALE LAITON 1/4	MESSING-STOPFEN 1/4	DOP DIN ALAMA PT. MASC. 1/4
17	15006001	FLANGIA GREENAMID 66 G50 H VALV.SIC.	FLANGE GREENAMID VALVE	JOINT GREENAMID VANNE	FLANSCH GREENAMID VENTIL	FLANSA GREENAMID PT.VALVA DE SIGUR.
18	12300000	GU OR 3156 VITON x VALV.SIC.	O RING VITON	JOINT OR VITON	OR DICHTUNG VITON	GARN.OR.3156 PT.VALVA DE SIGUR.
19	20352	VALVOLA SICUREZZA *CE* + SIG.CMA	*CE* SAFETY VALVE	SOUPAPE DE SECURITE *CE*	SICHERHEITSVENTIL *CE*	VALVA DE SIGURANTA *CE*
20	56009980	ASS.PROT.VALVOLE SICUREZZA	UNIT PROTECTION VALVE	ENSEMBLE PROTECTION VANNE	SATZ-SCHUTZGITTER VENTIL	ANS. DE PROT. PT. VALVA DE SIG.
21	15478002	TUBO SILICONE 8x11 L.70cm	SILICONE TUBE 8x11 L.70cm	TUYAU SILICONE 8x11 L.70cm	SILIKONROHR 8x11 L.70cm	FURTUN DIN SILICON 8x11 L.70cm
22	12402	GU KLINGERSIL4400 PASTICCA 15x3	GASKET KLINGERSIL4400 15x3	JOINT KLINGERSIL4400 15x3	DICHTUNG KLINGERSIL4400 15x3	GARN. DIN KLINGERSIL4400 15x3
23	25781	TAPPO FEMMINA 3/8	FEMALE CAP 3/8	BOUCHON FEMELLE 3/8	STOPFEN 3/8	DOP 3/8
24	43070	RACC."L" 3/8F GAS CON. x 3/8M GAS	CONNECTOR L 3/8 GAS x 3/8 GAS	RACCORD L 3/8 GAZ x 3/8 GAZ	FITTING L 3/8 GAS x 3/8 GAS	RACORD "L" 3/8F GAS CU 3/8M GAS
25	25782	TAPPO FEMMINA 1/4 GAS	1/4 GAS FEMALE TAP	BOUCHON FEMELLE 1/4 GAZ	INNENANSCHLUSSSTÖPSEL 1/4 GAS	DOP 1/4
26	12007	GUARNIZIONE KLINGERSIL4400	KLINGERSIL4400 COPPER SEAL	JOINT KLINGERSIL4400 POUR BOUCHON	DICHTUNG KLINGER SIL4400 X DECKEL	GARNITURA DIN KLINGERSIL4400
27	25749000	RIDUZIONE 1/4M GAS-1/8F GAS NI	REDUCER 1/4M GAS -1/8F GAS NI	REDUCTEUR 1/4M GAS-1/8F GAS NI	REDUZIERER 1/4M GAS-1/8F GAS NI	RED. 1/4GAS-1/8F GAS NI
28	20306	TERMOSTATO SONDA NTC ES 13	THERMOSTAT NTC ES 13	THERMOSTAT NTC ES 13	TERMOSTAT NTC ES 13	TERMOSTAT NTC ES 13

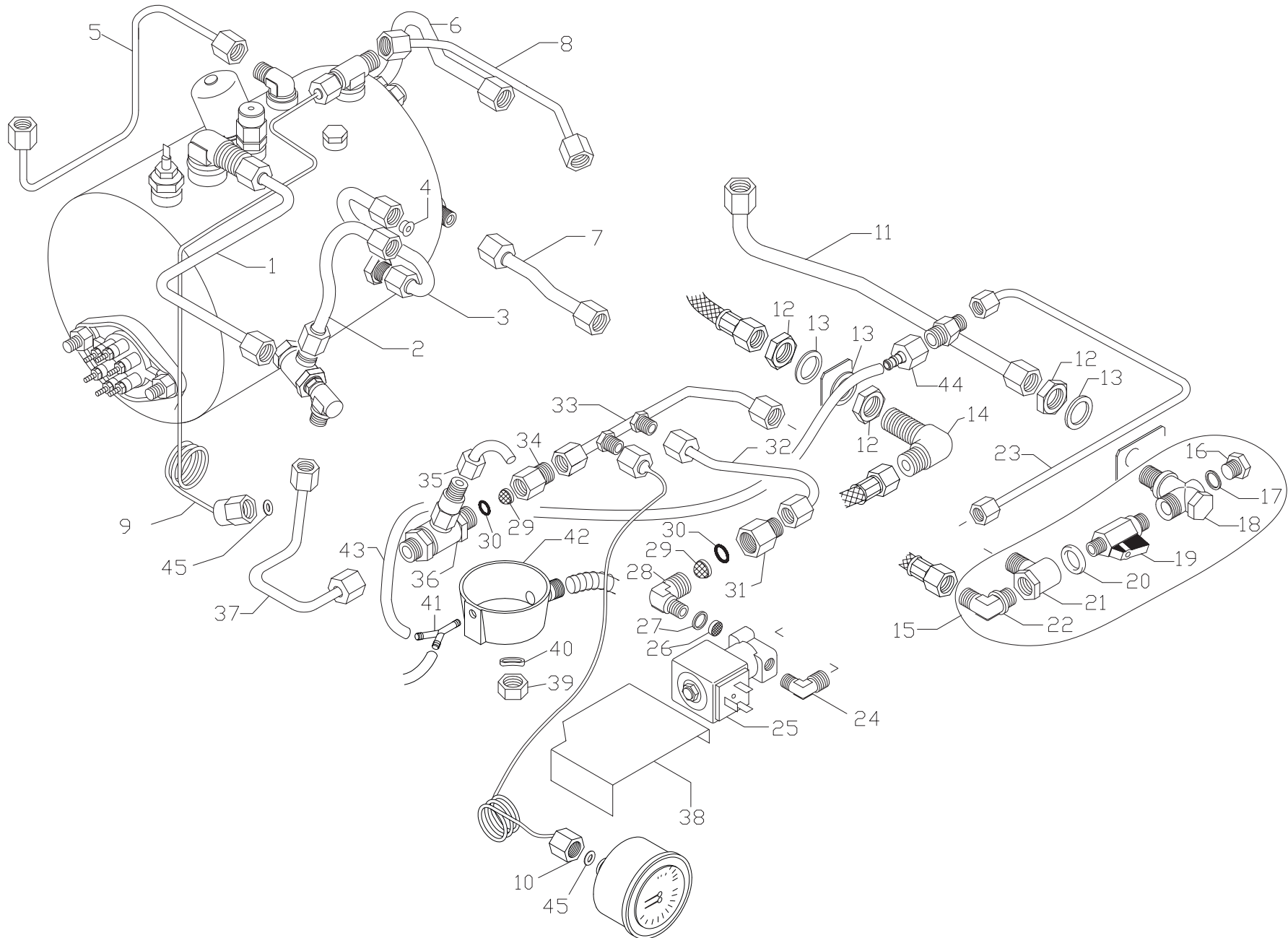


Pos	Cod.	Denominazione - IT -	Denomination - GB -	Denomination - FR -	Denomination - DE -	Denumire - RO -
1	17107	RES.3GR 6P 230/380V 5000W	HEATING EL.3GR 220/240V 5000/5440 6P	RESISTANCE 3GR 220/240V 5000/5440W	HEIZKORPER 3GR 220/240V 5000/5440W	REZIST 3GR 6P 230/380V 5000W
2	23049	DADO OTTONE M8 UNI 5587	BRASS NUT M8 UNI 5587	ECROU LAITON M8 UNI 5587	MESSING-SCHRAUBENMUTTER M8 UNI 5587	PIULITA DIN ALAMA M8 UNI 5587
3	23132001	PRIG.INOX M8 FONDO CALD.ECONO.	M8 STAINLESS STEEL BOTTOM STUD BOLT	PRISONNIER INOX M8 FOND	STIFTSCHRAUBE EDELSTAHL M8 BODEN	SURUB PT.PRINDEREA REZIS.PE CAZ.
4	12001	GU PTFE VERG.x RES/SCA 58x43x2	TEFLON GASKET ELEMENT/EXCH. 58x43x2	JOINT TEFLON RESIST/ECHANG.58x43x2	TEFLON DICHTUNG 58x23x2	GARNITUTRA DIN TEFLON 58x43x2
5	62250009	CALDAIA 3GR CTS ECONO.SC.80	BOILER 3GR CTS- ECO - SC.80	CHAUDIERE 3GR CTS - ECO SC.80	KESSEL 3GR CTS -ECO SC.80	CAZAN 3GR CTS ECON. SC.80
6	12151	GU CU DOSATORE SAE 13x10.2x1.5	CU GASKET FOR SAE DOSER 13x10.2x1.5	JOINT CU DE DOSEUR SAE 13x10.2x1.5	CU DICHTUNG FÜR SAE DOSIERANLAGE	GARNITURA DIN CUPRU 13x10.2x1.5
7	12101	GU CU/ALIM 3/8 22x17x3	3/8 22x17x3 FEEDER/COPPER SEAL	JOINT CUIVRE/ALIM 3/8 22x17x3	KUPFERDICHTUNG/SPEIS. 3/8 22x17x3	GARN. DIN CUPRU 3/8 22x17x3
8	43030001	RACC.INIETTORE 3/8Fx3/8Mx14F	3/8Fx3/8Mx14F INJECTOR FITTING	RACC. INJECTEUR 3/8Fx3/8Mx14F	ANSCHLUSS EINSPRITZER 3/8Fx3/8Mx14F	RAC.INJECTOR 3/8Fx3/8Mx14F
9	52000410	TBS.D-6 L.85 AEP-SAE/2 GL11 INIETT.	TUBE D-6 L.85 GL11	TUYAU D-6 L.85 GL11	ROHR D-6 L.85 GL11	TUB D-6 L.85 AEP-SAE/2 GL11
10	12153	GU CU 1/4 17x13.3x1.5	1/4 17x13.3x1.5 COPPER SEAL	JOINT CUIVRE 1/4 17x13.3x1.5	KUPFERDICHTUNG 1/4 17x13.3x1.5	GARN. DIN CUPRU 1/4 17x13.3x1.5
11	43033	RACC."T" 3/8x3/8x1/4	3/8x3/8x1/4 T FITTING	RACCORD "T" 3/8x3/8x1/4	ANSCHLUSS 3/8x3/8x1/4 T	RACORD "T" 3/8x3/8x1/4
12	56150	VALVOLA ANTIRISUCCHIO V.A.R.	ANTI-EDDY VALVE V.A.R.	SOUPAPE ANTI-DEPRESSION V.A.R.	VENTIL UNTERDRUCKFREI V.A.R.	VALVA ANTIRETUR V.A.R.
13	20251	SONDA LIVELLO TL 10/B L125 908600	TL 10/B L125 908600 LEVEL PROBE	JAUGE TL 10/B L125 908600	PEGELFÜHLER TL 10/B L125 908600	SONDA DE NIV.TL 10/B L125 908600
14	12154	GU CU 3/8 22x17x1.5	3/8 22x17x1.5 COPPER SEAL	JOINT CUIVRE 3/8 22x17x1.5	KUPFERDICHTUNG 3/8 22x17x1.5	GARN. DIN CUPRU 3/8 22x17x1.5
15	52001612	TBS.D-10 L.115 1>4GR DE 13 PES	TUBE D-10 L.115 1 4GR DE 13	TUYAU D-10 L.115 1 4GR DE 13	ROHR D-10 L.115 1 4GR DE 13	TUB D-10 L.115 1>4GR DE 13
16	25780	TAPPO MASCHIO OTTONE 1/4	BRASS MALE CAP 1/4	BOUCHON MALE LAITON 1/4	MESSING-STOPFEN 1/4	DOP DIN ALAMA PT. MASC. 1/4
17	15006001	FLANGIA GREENAMID 66 G50 H VALV.SIC.	FLANGE GREENAMID VALVE	JOINT GREENAMID VANNE	FLANSCH GREENAMID VENTIL	FLANSA GREENAMID PT.VALVA DE SIG.
18	12300000	GU OR 3156 VITON x VALV.SIC.	O RING VITON	JOINT OR VITON	OR DICHTUNG VITON	GARN.OR.3156 PT.VALVA DE SIG.
19	20352	VALVOLA SICUREZZA *CE* + SIG.CMA	*CE* SAFETY VALVE	SOUPAPE DE SECURITE *CE*	SICHERHEITSVENTIL *CE*	VALVA DE SIGURANTA *CE*
20	56009980	ASS.PROT.VALVOLE SICUREZZA	UNIT PROTECTION VALVE	ENSEMBLE PROTECTION VANNE	SATZ-SCHUTZGITTER VENTIL	ANS. DE PROT.PT.VALVA DE SIG.
21	15478002	TUBO SILICONE 8x11 L.70cm	SILICONE TUBE 8x11 L.70cm	TUYAU SILICONE 8x11 L.70cm	SILIKONROHR 8x11 L.70cm	FURTUN DIN SILICON 8x11 L.70cm
22	12402	GU KLINGERSIL4400 PASTICCA 15x3	GASKET KLINGERSIL4400 15x3	JOINT KLINGERSIL4400 15x3	DICHTUNG KLINGERSIL4400 15x3	GARN.KLINGERSIL4400 15x3
23	25781	TAPPO FEMMINA 3/8	FEMALE CAP 3/8	BOUCHON FEMELLE 3/8	STOPFEN 3/8	DOP 3/8
24	43070	RACC."L" 3/8F GAS CON. x 3/8M GAS	CONNECTOR L 3/8 GAS x 3/8 GAS	RACCORD L 3/8 GAZ x 3/8 GAZ	FITTING L 3/8 GAS x 3/8 GAS	RAC."L"3/8F GAS CU 3/8M GAS
25	25782	TAPPO FEMMINA 1/4 GAS	1/4 GAS FEMALE TAP	BOUCHON FEMELLE 1/4 GAZ	INNENANSCHLUSSSTÖPSEL 1/4 GAS	DOP 1/4
26	12007	GUARNIZIONE KLINGERSIL4400	KLINGERSIL4400 COPPER SEAL	JOINT KLINGERSIL4400 POUR BOUCHON	DICHTUNG KLINGER SIL4400 X DECKEL	GARNITURA DIN KLINGERSIL4400
27	25749000	RIDUZIONE 1/4M GAS-1/8F GAS NI	REDUCER 1/4M GAS -1/8F GAS NI	REDUCTEUR 1/4M GAS-1/8F GAS NI	REDUZIERER 1/4M GAS-1/8F GAS NI	RED. 1/4GAS-1/8F GAS NI
28	20306	TERMOSTATO SONDA NTC ES 13	THERMOSTAT NTC ES 13	THERMOSTAT NTC ES 13	TERMOSTAT NTC ES 13	TERMOSTAT NTC ES 13

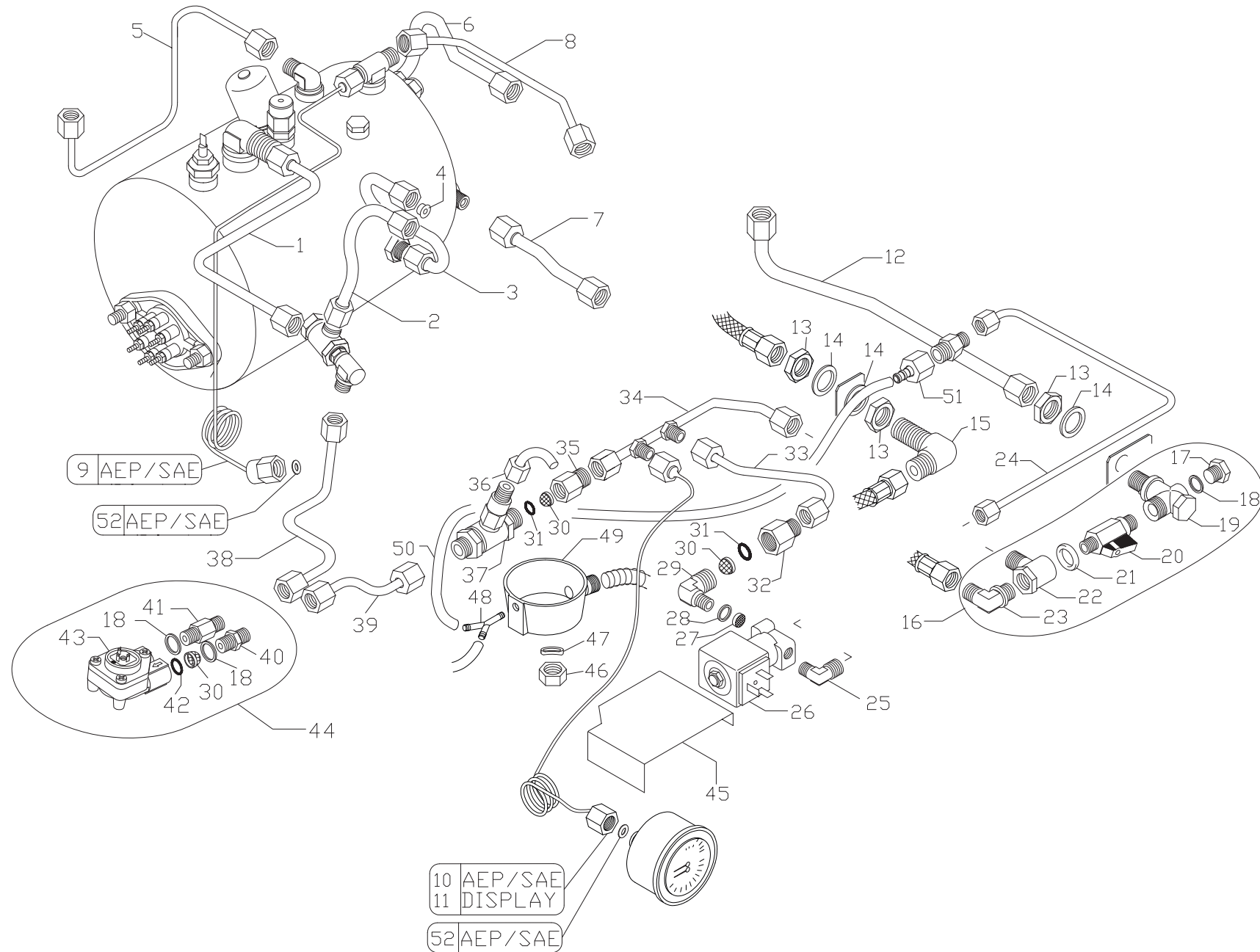


Pos	Cod.	Denominazione - IT -	Denomination - GB -	Denomination - FR -	Denomination - DE -	Denumire - RO -
1	52003419	TUB.D-8 L.390 TC.1GR W280 CLD>RUB.H2O	TUBE D-8 L.390 TC 1GR W280	TUYAU D-8 L.390 TC1GR W280	ROHR D-8 L.390 TC 1GR W280	TUB D-8 L.390 TC 1GR W280
2	52003422	TBS.D-10 L.160 TC 1GR W283 GRUPPO>CLD	TUBE D-10 L.160 TC 1GR W283	TUYAU D-10 L.160 TC1GR W283	ROHR D-10 L.160 TC 1GR W283	TUB D-10 L.160 TC 1GR W283
3	52003480	TBS.D-10 L.180 TOUCH 1GR W400 GR>SC	TUBE D-10 L180 TOUCH 1GR W400 GR>SC	TUYAU D-10 L180 TOUCH 1GR W400	ROHR D-10 L180 TOUCH 1GR W400	TUB D-10 L180 TOUCH 1GR W400 GR>SC
4	23294003	STROZZATURA RICIRCOLO GR CTS D 4	CTS UNIT D 4 RECIRC. NECK	ETRANGLEMENT RECYCLAGE GR.D.4	ENGSTELLE UMWLZUNG D. 4	JIGLER PT.CIRCULATIE APA GR CTS D.4
5	52003478	TBS.D-6 L.310 TC 1GR W384 CLD>PRESOS.	TUBE D-6 L.310 TC 1GR W384	TUYAU D-6 L.310 TC 1GR W384	ROHR D-6 L.310 TC 1GR W384	TUB D-6 L.310 TC 1GR W384
6	52003421	TBS.D-10 L.255 TC 1GR W282 LIV.SUP>CLD	TUBE D-10 L.255 TC 1GR W282	TUYAU D-10 L.255 TC 1GR W282	ROHR D-10 L.255 TC 1GR W282	TUB D-10 L.255 TC 1GR W282
7	52003424	TBS.D-10 L.103 TC 1GR W285 LIV.INF>CLD	TUBE D-10 L.105 TC 1GR W285	TUYAU D-10 L.105 TC 1GR W285	ROHR D-10 L.105 TC 1GR W285	TUB D-10 L.105 TC 1GR W285
8	52003479	TBS.D-8 L.260 TC 1GR W385R RUB.VAP>CLD	TUBE D-8 L.260 TC 1GR W385R	TUYAU D-8 L.260 TC 1GR W385R	ROHR D-8 L.260 TC 1GR W385R	TUB D-8 L.260 TC 1GR W385R
9	52003417	TBS.D-4 L.590 TC 1GR W278 CLD>MANOM	TUBE D-4 L.590 TC 1GR W278	TUYAU D-4 L.590 TC 1GR W278	ROHR D-4 L.590 TC 1GR W278	TUB D-4 L.590 TC 1GR W278
10	52003418	TBS.D-4 L.580 TC 1GR W279 POMPA>MANOM	TUBE D-4 L.580 TC 1GR W279	TUYAU D-4 L.580 TC 1GR W279	ROHR D-4 L.580 TC 1GR W279	TUB D-4 L.580 TC 1GR W279
11	52003212	TBS.D-10 L.320 ECO-ORION WO 13	TUBE D-10 L.320 W013	TUYAU D-10 L.320 W013	ROHR D-10 L.320 W013	TUB D-10 L.320 ECO-ORION WO 13
12	25356	CONTRODADO OTTONE 3/8	BRASS LOCK NUT 3/8	CONTRE-ECROU LAITON 3/8	MESSING-GEGENMUTTER 3/8	CONTRAPIULITA DIN ALAMA 3/8
13	25651	RONDELLA OTTONE 3/8	BRASS WASHER 3/8	RONDELLE LAITON 3/8	MESSINGSCHIEBE 3/8	SAIBA DIN ALAMA 3/8
14	43067	RACC."L" 3/8 GASx3/8 GAS L.30	3/8 GAS X 3/8 GAS L FITTING L.30	RACCORD L 3/8 GAZx3/8 GAZ L.30	ANSCHLUSS L 3/8 GAS x 3/8 GAS L.30	RACORD "L" 3/8 GASx3/8 GAS L.30
15	56134001	ASS.BLOCCHETTO POMPA ORION 99	UNIT PUMP	ENSEMBLE POMPE	PUMPENSATZ	ANSAMBLU BLOCAJ POMPA ORION 99
16	25780	TAPPO MASCHIO OTTONE 1/4	BRASS MALE CAP 1/4	BOUCHON MALE LAITON 1/4	MESSING-STOPFEN 1/4	DOP DIN ALAMA PT.MASC. 1/4
17	12153	GU CU 1/4 17x13.3x1.5	1/4 17x13.3x1.5 COPPER SEAL	JOINT CUIVRE 1/4 17x13.3x1.5	KUPFERDICHTUNG 1/4 17x13.3x1.5	GARN. DIN CUPRU 1/4 17x13.3x1.5
18	53001001	CORPO LIVELLO INFERIORE MOD.x	LOWER LEVEL CONNECTOR	CORPS DE NIVEAU INFERIEUR	UNTERNIVEAUKORPER	CORP PT. NIVELUL INFERIOR
19	20354	VALVOLA CHIUSURA AEA	PRESSURE RELEASE TAP BULK UNIT	CLAPET FERMETURE AUT.ARRIVEE EAU	ABSPERRVENTIL x AUT.WASSERZUFUHR	VALVA DE INCHIDERE - AEA
20	12100	GU CU/ALIM 1/4 18.7x13.2x2.5	CU GASKET 1/4 18.7X13.2X2.5	JOINT CU 1/4 18.7X13.2X2.5	CU DICHTUNG 1/4 18.7x13.2x2.5	GARN. DIN CUPRU 18.7x13.2x2.5
21	43030001	RACC.INIETTORE ITALIA 3/8Fx3/8Mx14F	3/8Fx3/8Mx14F INJECTOR FITTING	RACC. INJECTEUR 3/8Fx3/8Mx14F	ANSCHLUSS EINSPRITZER 3/8Fx3/8Mx14F	RAC.INJECTOR 3/8Fx3/8Mx14F
22	43052	RACC."L" 3/8	CONNECTOR 'L' 3/8	RACCORD 'L' 3/8	ANSCHLUSS 'L' 3/8	RACORD "L" 3/8
23	52003415	TUB.D-6 L.405 TC 1GR W276 ELECTT.AEA	TUBE D-6 L.405 TOUCH 1GR W276	TUYAU D-6 L.405 TOUCH 1GR W276	ROHR D-6 L.405 TOUCH 1GR W276	TUB D-6 L.405 TOUCH 1GR W276
24	23201	RACC.OTT.GOM.D6.2 1/4x1/8-AEA	ELBOW BRASS CONNECTOR D6.2 1/4X1/8	RACCORD COUDE LAITON D6.2 1/4X1/8	MESSING-ANSCHLUSS D6.2 1/4x1/8	RACORD DIN ALAMA SI CAUCIUC D 6.2
25*	18160052	EL.AEA.SIR.230V 50Hz L120C01F3ZA30A	SOL.VALVE WATER REFILL 220-230V/50	ELECTROVANNE REA 220-230V/50	ELEKTROVENTIL AWZ 220-230V/50	ELECTROV.AEA.SIR.230V 50Hz
26	10251001	FILTRO IN ACCIAIO D-8 Sp.0,3	STEEL FILTER D-8 - 0.3 THICK	FILTRE EN ACIER D-8 Ep.0, 3	STAHLFILTER D-8 Sp.0, 3	FILTRU DIN OTEL D-8 Sp.0,3
27	12155	GU CU 8.5x5x1	COPPER GASKET 8.5X5X1	JOINT CU 8.5X5X1	CU DICHTUNG 8.5x5x1	GARNITURA DIN CUPRU 8.5x5x1
28	23217	RACC.GOM.D10 3/8x1/8 CON AEA F 1.2	FITTING D10 3/8x1/8 WITH AWI F 1.2	RACC.GOMME D10 3/8x1/8 AEE F 1.2	FITTING D10 3/8x1/8 MIT A.W.F. 1.2	RAC. D10 3/8x1/8 CU AEA F1.2
29	10254	FILTRO ACCIAIO 160-200 MESH(EX	STEEL FILTER 160-200 MESH	FILTRE EN ACIER 160-200 MESH	STAHLFILTER 160-200 MESH	FILTRU DIN OTEL 160-200 MESH
30	12312	GU OR FILTRO AEA 10x2	O RING FOR WATER REFILL FILTER 10x2	JOINT OR FILTRE AUT.REM.EAU 10X2	OR DICHTUNG FUR WASSERFULLUNGFILTER	GARNITURA OR PT. FILTRU AEA 10x2
31	25705	RACC.FILTRO AEA	AUT.WATER REFILL FILTER CONNECTOR	RACCORD FILTRE REM.EAU.AUT.	FILTERFITTING AUT.WASSERFULLUNG	RACORD PT. FILTRU AEA
32	52003464	TBS.D-6 L.190 TC 1GR W325 BLOCC.>ELETT.AEA	TUBE D-6 L.190 TOUCH 1GR W325	TUYAU D-6 L.190 TOUCH 1GR W325	ROHR D-6 L.190 TOUCH 1GR W325	TUB D-6 L.190 TOUCH 1GR W325
33	52003442	TBS.D-8 L.225 TC 1GR W303 POMPA>SCNR	TUBE D-8 L.225 TOUCH 1GR W303	TUYAU D-8 L.225 TOUCH 1GR W303	ROHR D-8 L.225 TOUCH 1GR W303	TUB D-8 L.225 TC 1GR W303 POMPA>SCNR
34	25732100	RACC.3/8Mx3/8F + SEDE FILTRO	FITTING 3/8Mx3/8F	RACCORD 3/8Mx3/8F	ANSCHLUSS 3/8Mx3/8F	RACORD FARA FILTRU 3/8Mx3/8F
35	52003463	TUB.D-6 L.95 TC 1GR W324 SCARICO>VASCHETTA	TUBE D-6 L.95 TOUCH 1GR W324	TUYAU D-6 L.95 TOUCH 1GR W324	ROHR D.6 L.95 TOUCH 1GR W324	TUB D-6 L.95 TOUCH 1GR W324
36	20361	VALVOLA S.C.N.R. REGOLABILE *98*	ADJUSTABLE S.C.N.R. VALVE	SOUPAPE S.C.N.R. REGLABLE	EINSTELLBARES VENTIL S.N.C.R.	VALVA DE SIG. REGLABILA *98*
37	52003420	TUB.D-6 L.360 TC 1GR W281 SCNR>INIETT.	TUBE D-6 L.360 TOUCH 1GR W281	TUYAU D-6 L.360 TOUCH 1GR W281	ROHR D-6 L.360 TOUCH 1GR W281	TUB D-6 L.360 TOUCH 1GR W281
38	77604	COPRIELETTRORVALVOLA AEA WO/WN	AEA SOLENOID VALVE COVER	COUVRE-ELECTROVANNE AEA	ABDECKUNG ELEKTROVENTIL AEA	PROTECTIE PT.ELECTROVALVA AEA WO/WN
39	23052	DADO OTTONE M10 UNI 5587	TOP BRASS NUT M10 UNI 5587	ECROU LAITON SUP.M10 UNI 5587	UNTER/MESSING MUTTER M10 UNI 5587	PIULITA DIN ALAMA M10 UNI 5587

25* 18160052 sost. da 18160053 (05.11.2012)

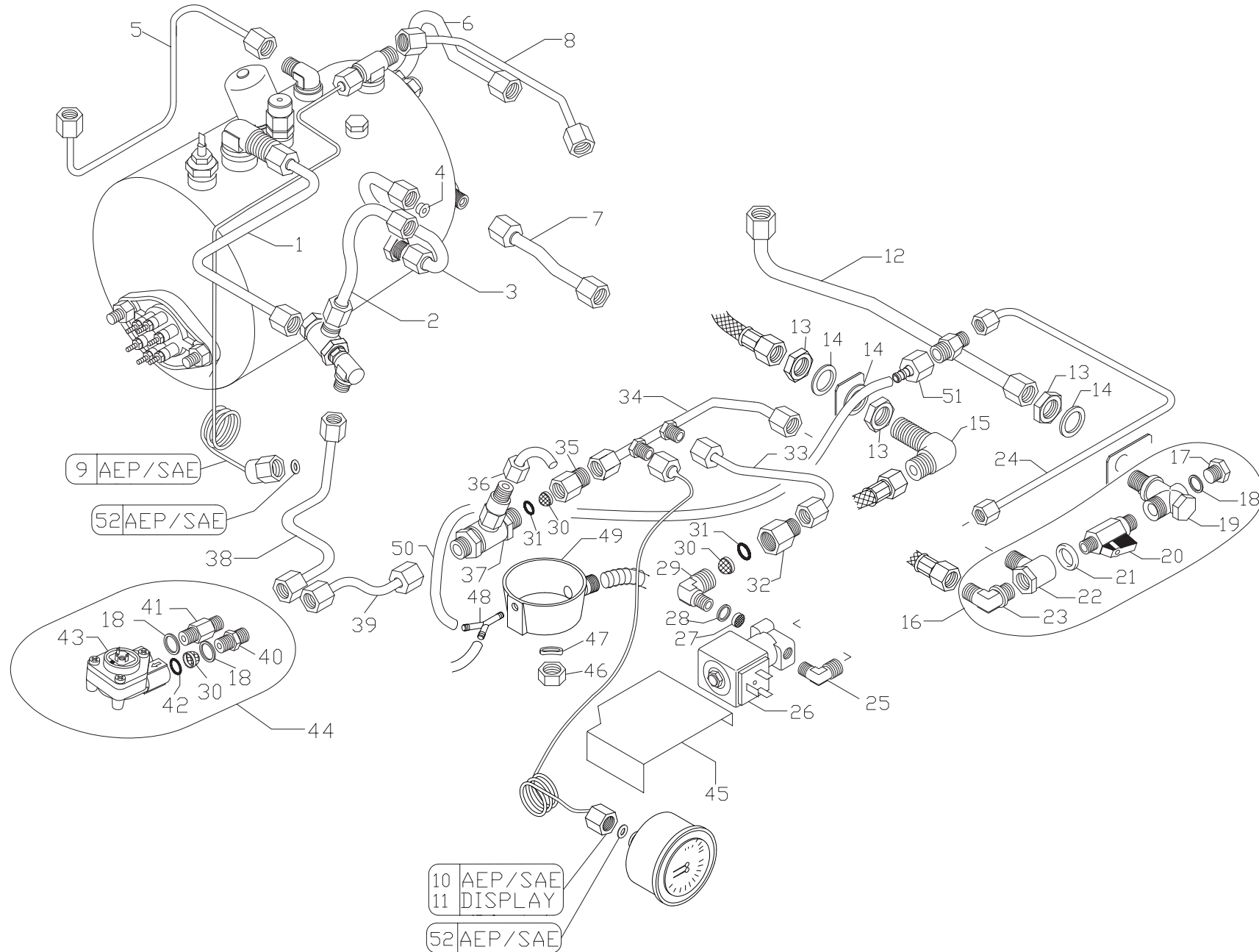


Pos	Cod.	Denominazione - IT -	Denomination - GB -	Denomination - FR -	Denomination - DE -	Denumire - RO -
40	23267	RONDELLA ELAST.ONDUL.D10 DIN13	ELASTIC WASHER D10 DIN137	RONDELLE ELASTIQUE D10 DIN137	ELASTISCHE SCHEIBE D10 DIN137	SAIBA ELASTICA OND.D10 DIN13
41	15422010	RACC."Y" POLIPROPILENE D-10	"Y" POLIPROPILENE FITTING	RACCORD "Y" POLIPROPILENE	ANSCHLUSS "Y" POLIPROPILENE	RAC.'Y' DIN POLIPROPILENE D-10
42	15502	VASCHETTA SCARICO ROTONDA D 80mm	ROUND DRAIN BASIN D.80mm	CUVE A VIDANGER RONDE D.80mm	RUNDE ABFLUSSCHALE D.80mm	VAS DE SCURGERE ROTUND D.80mm
43	15477013	TUBO SILIC.PLATINICO 6X9(1MT=0,035KG)	SILICONE PIPE 6X9(1MT=0,035KG)	TUYAU SILICONE 6X9(1MT=0,035KG)	SILIKONROHR 6X9(1MT=0,035KG)	FURTUN DIN SILICON 6X9(1MT=0,035KG)
44	257396	RACC.SCARICO CALDAIA ASSIEMATO	FITTING	RACCORD	ANSCHLUSS	RACORD PT. SCURGERE
45	12155001	GU CU 8.5X3.3X1	COPPER SEAL 8.5X3.3X1	JOINT CUIVRE 8.5X3.3X1	KUPFERDICHTUNG 8.5X3.3X1	GARN. DIN CUPRU 8.5X3.3X1

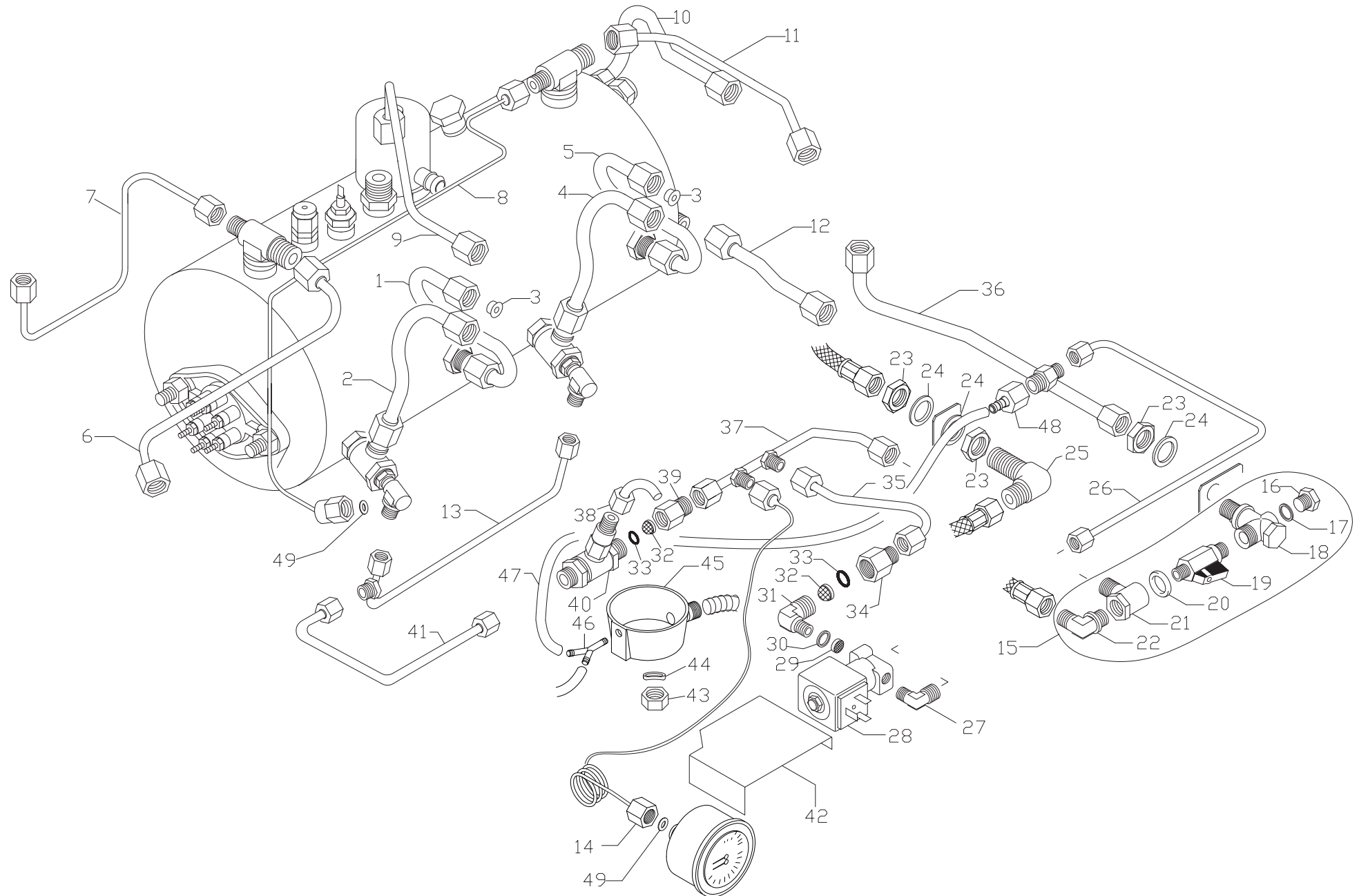


Pos	Cod.	Denominazione - IT -	Denomination - GB -	Denomination - FR -	Denomination - DE -	Denumire - RO -
1	52003419	TUB.D-8 L.390 1GR W280 CLD>RUB.H20	TUBE D-8 L.390 TC 1GR W280	TUYAU D-8 L.390 TC1GR W280	ROHR D-8 L.390 TC 1GR W280	TUB D-8 L.390 1GR W280 CAZ>ROB.H2
2	52003422	TBS.D-10 L.160 1GR W283 GRUPPO>CLD	TUBE D-10 L.160 TC 1GR W283	TUYAU D-10 L.160 TC1GR W283	ROHR D-10 L.160 TC 1GR W283	TUB D-10 L.160 1GR W283 GRUP>CAZ
3	52003480	TBS.D-10 L.180 TOUCH 1GR W400 GR>SC	TUBE D-10 L180 TOUCH 1GR W400 GR>SC	TUYAU D-10 L180 TOUCH 1GR W400	ROHR D-10 L180 TOUCH 1GR W400	TUB D-10 L180 TOUCH 1GR W400 GR>S
4	23294003	STROZZATURA RICIRCOLO GR CTS D 4	CTS UNIT D 4 RECIRC. NECK	ETRANGLEMENT RECYCLAGE GR.D.4	ENGSTELLE UMWLZUNG D. 4	JIGLER PT.CIRCULATIE APA GR CTS D
5	52003478	TBS.D-6 L.310 TC 1GR W384 CLD>PRESOS	TUBE D-6 L.310 TC 1GR W384	TUYAU D-6 L.310 TC 1GR W384	ROHR D-6 L.310 TC 1GR W384	TUB D-6 L.310 1GR W384 CAZ>PRESOS
6	52003421	TBS.D-10 L.255 W282 LIV.SUP>CLD	TUBE D-10 L.255 TC 1GR W282	TUYAU D-10 L.255 TC 1GR W282	ROHR D-10 L.255 TC 1GR W282	TUB D-10 L.255 1GR W282 NIV.SUP>C/
7	52003424	TBS.D-10 L.103 1GR W285 LIV.INF>CLD	TUBE D-10 L.105 TC 1GR W285	TUYAU D-10 L.105 TC 1GR W285	ROHR D-10 L.105 TC 1GR W285	TUB D-10 L.105 1GR W285 NIV.INF>CA
8	52003479	TBS.D-8 L.260 1GR W385R RUB.VAP>CLD	TUBE D-8 L.260 TC 1GR W385R	TUYAU D-8 L.260 TC 1GR W385R	ROHR D-8 L.260 TC 1GR W385R	TUB D-8 L.260 1GR W385R ROB.VAP>C
9	52003417	TBS.D-4 L.590 1GR W278 CLD>MANOM	TUBE D-4 L.590 TC 1GR W278	TUYAU D-4 L.590 TC 1GR W278E	ROHR D-4 L.590 TC 1GR W278	TUB D-4 L.590 1GR W278 CAZ>MANOM
10	52003418	TBS.D-4 L.580 1GR W279 POMPA>MANOM	TUBE D-4 L.580 TC 1GR W279	TUYAU D-4 L.580 TC 1GR W279	ROHR D-4 L.580 TC 1GR W279	TUB D-4 L.580 1GR W279 POMPA>MANC
11	52003459	TBS.D-4 L.580 1GR POMPA>MANOM W320	TUBE D-4 L.580 TC 1GR W320	TUYAU D-4 L.580 TC 1GR W320	ROHR D-4 L.580 TC 1GR W320	TUB D-4 L.580 1GR W320 POMPA>MANC
12	52003212	TBS.D-10 L.320 ECO-ORION WO 13	TUBE D-10 L.320 WO13	TUYAU D-10 L.320 WO13	ROHR D-10 L.320 WO13	TUB D-10 L.320 ECO-ORION WO 13
13	25356	CONTRODADO OTTONE 3/8	BRASS LOCK NUT 3/8	CONTRE-ECROU LAITON 3/8	MESSING-GEGENMUTTER 3/8	CONTRAPIULITA DIN ALAMA 3/8
14	25651	RONDELLA OTTONE 3/8	BRASS WASHER 3/8	RONDELLE LAITON 3/8	MESSINGSCHLEIBE 3/8	SAIBA DIN ALAMA 3/8
15	43067	RACC."L" 3/8 GASx3/8 GAS L.30	3/8 GAS X 3/8 GAS L FITTING L.30	RACCORD L 3/8 GAZx3/8 GAZ L.30	ANSCHLUSS L 3/8 GAS x 3/8 GAS L. 30	RACORD "L" 3/8 GASx3/8 GAS L.30
16	56134001	ASS.BLOCCETTO POMPA ORION 99	UNIT PUMP	ENSEMBLE POMPE	PUMPENSATZ	ANSAMBLU BLOCAJ POMPA ORION 99
17	25780	TAPPO MASCHIO OTTONE 1/4	BRASS MALE CAP 1/4	BOUCHON MALE LAITON 1/4	MESSING-STOPFEN 1/4	DOP DIN ALAMA PT. MASC.1/4
18	12153	GU CU 1/4 17x13.3x1.5	1/4 17x13.3x1.5 COPPER SEAL	JOINT CUIVRE 1/4 17x13.3x1.5	KUPFERDICHTUNG 1/4 17x13.3x1.5	GARN. DIN CUPRU 1/4 17x13.3x1.5
19	53001001	CORPO LIVELLO INFERIORE MOD.x	LOWER LEVEL CONNECTOR	CORPS DE NIVEAU INFERIEUR	UNTERNIVEAUKORPER	CORP PT. NIVELUL INFERIOR
20	20354	VALVOLA CHIUSURA AEA	PRESSURE RELEASE TAP BULK UNIT	CLAPET FERMETURE AUT.ARRIVEE EAU	ABSPERRVENTIL x AUT.WASSERZUFUHR	VALVA DE INCHIDERE-AEA
21	12100	GU CU/ALIM 1/4 18.7x13.2x2.5	CU GASKET 1/4 18.7X13.2X2.5	JOINT CU 1/4 18.7X13.2X2.5	CU DICHTUNG 1/4 18.7x13.2x2.5	GARN. DIN CUPRU 18.7x13.2x2.5
22	43030001	RACC.INIETTORE ITALIA 3/8Fx3/8Mx14F	3/8Fx3/8Mx14F INJECTOR FITTING	RACC. INJECTEUR 3/8Fx3/8Mx14F	ANSCHLUSS EINSPRITZER 3/8Fx3/8Mx14F	RAC.INJECTOR 3/8Fx3/8Mx14F
23	43052	RACC."L" 3/8	CONNECTOR 'L' 3/8	RACCORD 'L' 3/8	ANSCHLUSS 'L' 3/8	RACORD "L" 3/8
24	52003415	TUB.D-6 L.405 TC 1GR W276 ELETTR.AEA	TUBE D-6 L.405 TOUCH 1GR W276	TUYAU D-6 L.405 TOUCH 1GR W276	ROHR D-6 L.405 TOUCH 1GR W276	TUB D-6 L.405 TOUCH 1GR W276
25	23201	RACC.OTT.GOM.D6.2 1/4x1/8-AEA	ELBOW BRASS CONNECTOR D6.2 1/4X1/8	RACCORD COUDE LAITON D6.2 1/4X1/8	MESSING-ANSCHLUSS D6.2 1/4x1/8	RAC.DIN ALAMA SI CAUCIUC D 6.2
26*	18160052	EL.AEA.SIR.230V 50Hz L120C01F3ZA30A	SOL.VALVE WATER REFILL 220-230V/50	ELECTROVANNE REA 220-230V/50	ELEKTROVENTIL AWZ 220-230V/50	ELECTROV.AEA.SIR.230V 50Hz
27	10251001	FILTRO IN ACCIAIO D-8 Sp.0,3	STEEL FILTER D-8 - 0.3 THICK	FILTRE EN ACIER D-8 Ep.0, 3	STAHLFILTER D-8 Sp.0, 3	FILTRU DIN OTEL D-8 Sp.0,3
28	12155	GU CU 8.5x5x1	COPPER GASKET 8.5X5X1	JOINT CU 8.5X5X1	CU DICHTUNG 8.5x5x1	GARN. DIN CUPRU 8.5x5x1
29	23217	RACC.GOM.D10 3/8x1/8 CON AEA F 1.2	FITTING D10 3/8x1/8 WITH AWI F 1.2	RACCORD GOMME D10 3/8x1/8 AEE F 1.2	FITTING D10 3/8x1/8 MIT A.W.F. 1.2	RACORD D10 3/8x1/8 CU AEA F1.2
30	10254	FILTRO ACCIAIO 160-200 MESH(EX)	STEEL FILTER 160-200 MESH	FILTRE EN ACIER 160-200 MESH	STAHLFILTER 160-200 MESH	FILTRU DIN OTEL 160-200 MESH
31	12312	GU OR FILTRO AEA 10x2	O RING FOR WATER REFILL FILTER 10x2	JOINT OR FILTRE AUT.REM.EAU 10X2	OR DICHTUNG FUR WASSERFULLUNGFILTER	GARNITURA OR PT. FILTRU AEA 10x2
32	25705	RACC.FILTRO AEA	AUT.WATER REFILL FILTER CONNECTOR	RACCORD FILTRE REM.EAU.AUT.	FILTERFITTING AUT.WASSERFULLUNG	RACORD PT. FILTRU AEA
33	52003464	TBS.D-6 L.190 TC 1GR W325 BLOCC.>ELETT.AEA	TUBE D-6 L.190 TOUCH 1GR W325	TUYAU D-6 L.190 TOUCH 1GR W325	ROHR D-6 L.190 TOUCH 1GR W325	TUB D-6 L.190 TOUCH 1GR W325
34	52003442	TBS.D-8 L.225 W303 TOUCH POMPA>SCNR	TUBE D-8 L.225 TOUCH 1GR W303	TUYAU D-8 L.225 TOUCH 1GR W303	ROHR D-8 L.225 TOUCH 1GR W303	TUB D-8 L.225 TOUCH 1GR W303
35	25732100	RACC.3/8Mx3/8F + SEDE FILTRO	FITTING 3/8Mx3/8F	RACCORD 3/8Mx3/8F	ANSCHLUSS 3/8Mx3/8F	RACORD FARA FILTRU 3/8Mx3/8F
36	52003463	TUB.D-6 L.95 TC 1GR W324 SCARICO.>VASCH.	TUBE D-6 L.95 TOUCH 1GR W324	TUYAU D-6 L.95 TOUCH 1GR W324	ROHR D.6 L.95 TOUCH 1GR W324	TUB D-6 L.95 TOUCH 1 GR W324
37	20361	VALVOLA S.C.N.R. REGOLABILE *98*	ADJUSTABLE S.C.N.R. VALVE	SOUPAPE S.C.N.R. REGLABLE	EINSTELLBARES VENTIL S.N.C.R.	VALVA DE SIG. REGLABILA *98*
38	52003451	TBS.D-6 L.220 CLD>DOS	TUBE D-6 L.220 BOILER>DOSER	TUYAU D-6 L.220 CHAUDIÈRE>DOSEUR	ROHR D-6 L.220 KESSEL>DOSIERER	TUB D-6 L.220 CAZAN>DOZATOR
39	52003450	TBS.D-6 L.145 SCNR>DOS W311	TUBE D-6 L.145 SCNR>DOSER W311	TUYAU D-6 L.145 SCNR>DOSEUR W311	ROHR D-6 L.145 SCNR>DOSIERER W311	TUB D-6 L.145 SCNR>DOZATOR W311

26* 18160052 sost. da 18160053 (05.11.2012)

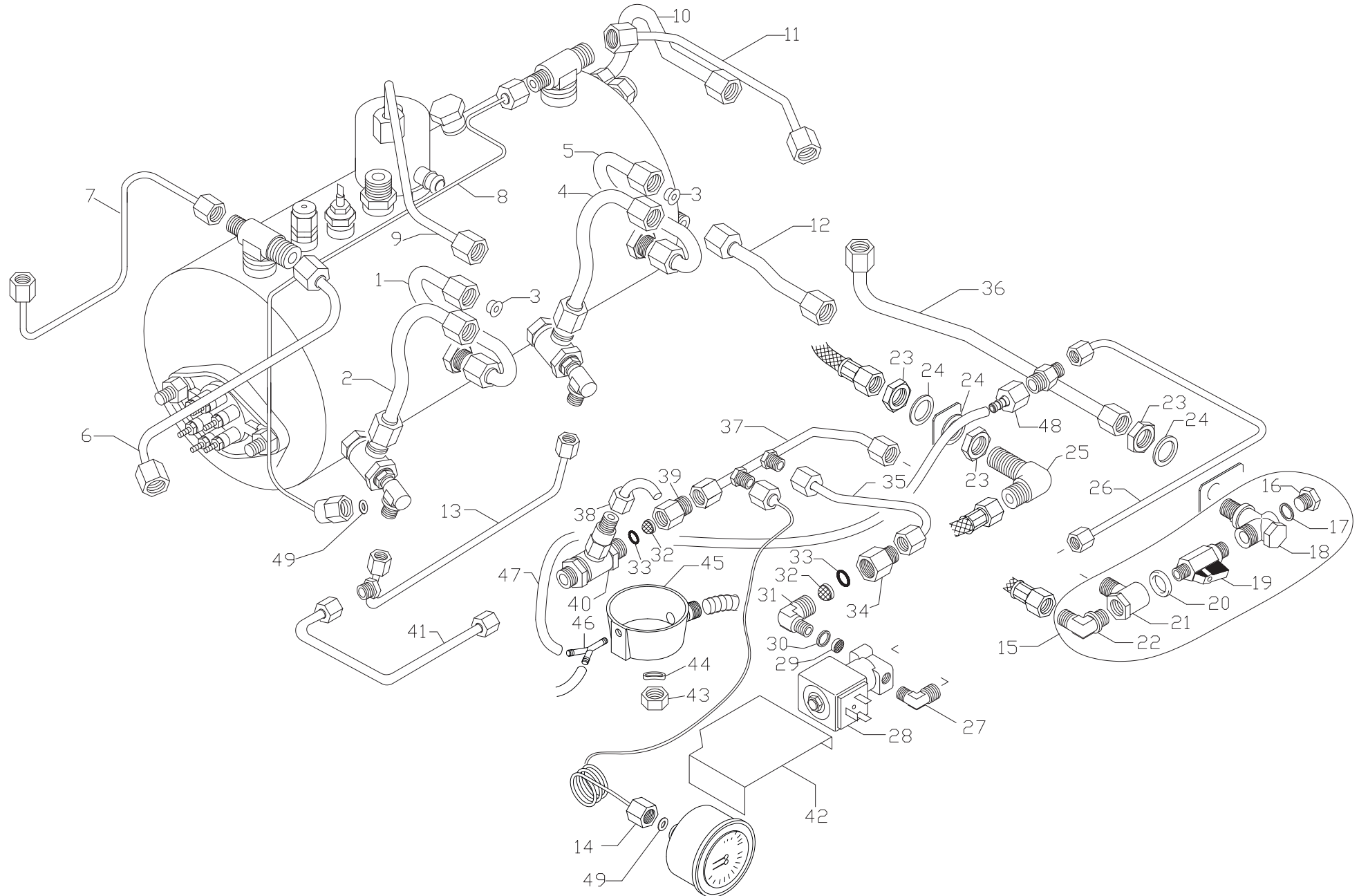


Pos	Cod.	Denominazione - IT -	Denomination - GB -	Denomination - FR -	Denomination - DE -	Denumire - RO -
40	25708	RACCORDO 1/4x1/4 GRUPPO LAVETTA	CONNECTOR 1/4x1/4 FITING	RACCORD 1/4x1/4	ANSCHLUSS 1/4x1/4	RACORD 1/4x1/4
41	25686	RACCORDO 1/4x1/4 FLANGIA	1/4x1/4 FITING	RACCORD 1/4x1/4 BRIDE	ANSCHLUSS 1/4x1/4 FLANSCH	RACORD 1/4x1/4
42	12329	GU OR 2031 VITON 7.66xW1.78 H2O D.E	O RING 2031 HNBR 7.66xW1.78	JOINT OR 2031 HNBR 7.66x1.78	OR DICHTUNG 2031 HNBR 7.66xW1.78	GARN.OR 2031 VITON 7.66xW1.78 H2O
43	18126	DOSATORE FLOWMETER FH 12 909602	DOSER FLOWMETER FH 12 909602	DOSEUR FLOWMETER FH 12 909602	DOSIERER FLOWMETER FH 12 909602	DOZATOR VOLUMETRIC FLOWMETER FH 12
44	56122000	ASSIEME DOSATORE	DOSER KIT	ENSEMBLE DOSEUR	UNTER DOSIERER	ANSAMBLU DOZATOR VOLUMETRIC
45	77604	COPRIELETTRVALVOLA AEA WO/WN	AEA SOLENOID VALVE COVER	COUVRE-ELECTROVANNE AEA	ABDECKUNG ELEKTROVENTIL AEA	PROTECTIE PT.ELECTROVALVA AEA WO/WN
46	23052	DADO OTTONE M10 UNI 5587	TOP BRASS NUT M10 UNI 5587	ECROU LAITON SUPERIEUR M10 UNI 5587	UNTER/MESSING MUTTER M10 UNI 5587	PIULITA DIN ALAMA M10 UNI 5587
47	23267	RONDELLA ELAST.ONDUL.D10 DIN13	ELASTIC WASHER D10 DIN137	RONDELLE ELASTIQUE D10 DIN137	ELASTISCHE SCHEIBE D10 DIN137	SAIBA ELASTICA ONDULATA D10
48	15422010	RACC."Y" POLIPROPILENE D-10	"Y" POLIPROPILENE FITTING	RACCORD "Y" POLIPROPILENE	ANSCHLUSS "Y" POLIPROPILENE	RACORD 'Y' 'DIN POLIPROPILENE D-10
49	15502	VASCHETTA SCARICO ROTONDA D 80mm	ROUND DRAIN BASIN D.80mm	CUVE A VIDANGER RONDE D.80mm	RUNDE ABFLUSSCHALE D.80mm	VAS DE SCURGERE ROTUND D.80mm
50	15477013	TUBO SILIC.PLATINICO 6x9(1MT=0.035KG)	SILICONE PIPE 6x9 (1MT=0.035 KG)	TUYAU SILICONE 6x9 (1MT=0.035 KG)	SILIKONSCHLAUCH6x9 (1MT=0.035 KG)	FURTUN DIN SILIC.6x9(1MT=0.035KG)
51	257396	RACC.SCARICO CALDAIA ASSIEMATO	FITTING	RACCORD	ANSCHLUSS	RACORD PT. SCURGERE
52	12155001	GU CU 8.5X3.3X1	COPPER SEAL 8.5X3.3X1	JOINT CUIVRE 8.5X3.3X1	KUPFERDICHTUNG 8.5X3.3X1	GARN. DIN CUPRU 8.5X3.3X1



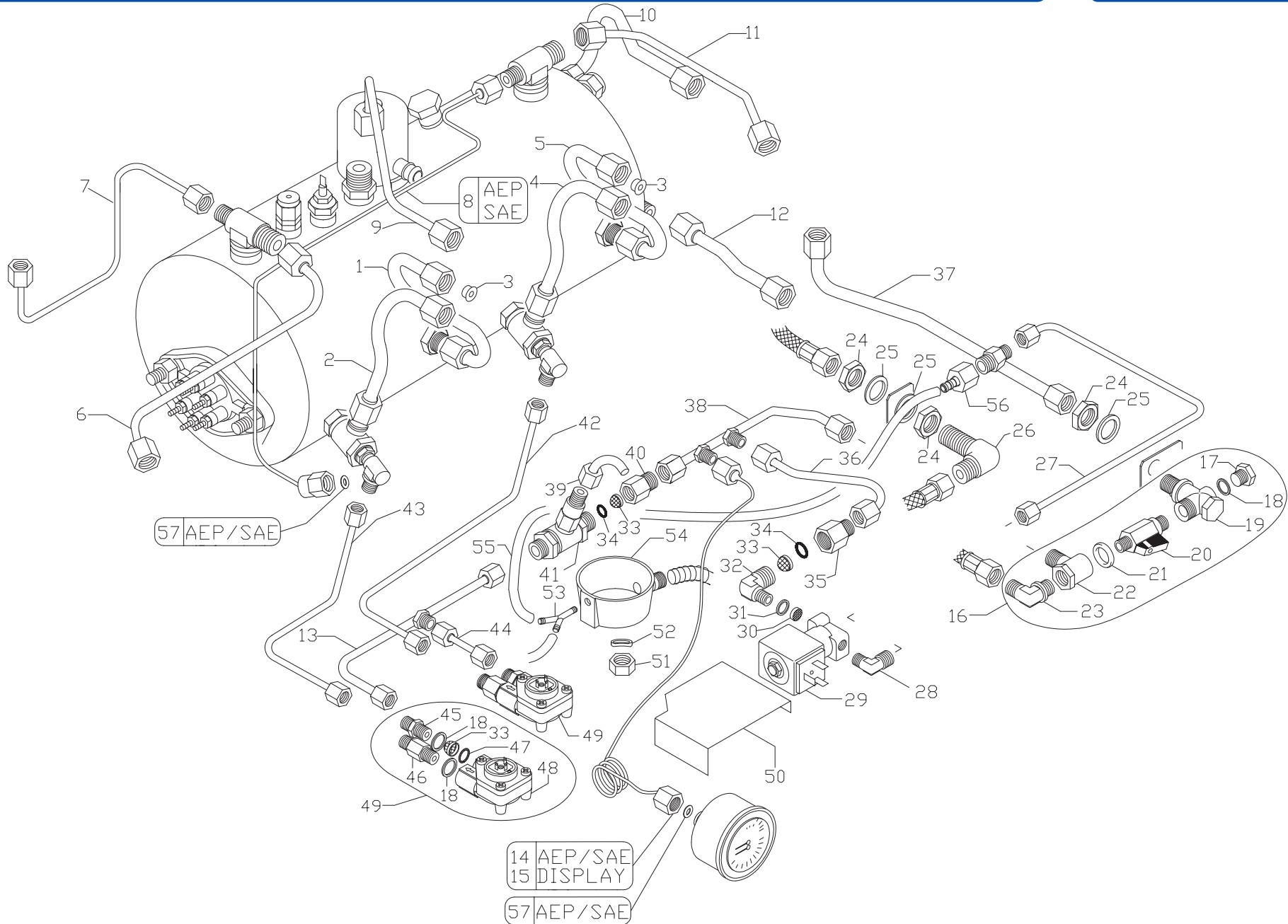
Pos	Cod.	Denominazione - IT -	Denomination - GB -	Denomination - FR -	Denomination - DE -	Denumire - RO -
1	52000214	TBS.D-10 L.195 DV15 SCAMBIATOR	D-10 L195 PIPE DV 15	TUYAU D-10 L.195 DV 15	ROHR D. 10 L.195 DV 15	TUB D-10 L.195 DV15 SCHIMBATOR
2	52000272	TBS.D-10 L.135 DV73 SCAMBIATOR	D-10 L135 PIPE DV 73	TUYAU D-10 L.135 DV 73	ROHR D. 10 L.135 DV 73	TUB D-10 L.135 DV73 SCHIMBATOR
3	23294003	STROZZATURA RICIRCOLO GR CTS D 4	CTS UNIT D 4 RECIRC. NECK	ETRANGLEMENT RECYCLAGE GR.D.4	ENGSTELLE UMWLZUNG D. 4	JIGLER PT.CIRCULATIE APA GR CTS D 4
4	52000245	TBS.D-10 L.165 DV46 SCAMBIATOR	D-10 L165 PIPE DV 46	TUYAU D-10 L.165 DV 46	ROHR D. 10 L.165 DV 46	TUB D-10 L.165 DV46 SCHIMBATOR
5	52003934	TBS.D-10 L.210 MULTI 1G CTS MU	TUBE D-10 L.210 1G CTS	TUYAU D-10 L.210 1G CTS	ROHR D-10 L.210 1G CTS	TUB D-10 L.210 MULTI 1G CTS MU
6	52001436	TUB.D-8 L.220 2-3GR CTS AR 59	TUBE D-8 L.220 2-3GR CTS AR59	TUYAU D-8 L.220 2-3GR CTS AR59	ROHR D-8 L.220 2-3GR CTS AR59	TUB D-8 L.220 2-3GR CTS AR 59
7	52003443	TUB.D-6 L.310 TC 2GR W304 CLD>PRES	TUBE D-6 L.310 TC 2GR W304	TUYAU D-6 L.310 TC 2GR W304	ROHR D-6 L.310 TC 2GR W304	TUB D-6 L.310 TC 2GR W304 CAZ>PRES.
8	52003445	TBS.D-4 L.600 TC 2GR W306 CLD>MANOM	TUBE D-4 L.600 TC 2GR W306	TUYAU D-4 L.600 TC 2GR W306	ROHR D-4 L.600 TC 2GR W306	TUB D-4 L.600 2GR W306 CAZAN>MANOM.
9	52003462	TUB.D-8 L.310 2-3GR 2-3GR W323 CLD.>RUB.H2O	TUBE D-8 L.310 2-3GR W323	TUYAU D-8 L.310 2-3GR W323	ROHR D-8 L.310 2-3GR W323	TUB D-8 L.310 2-3GR W323
10	52003421	TBS.D-10 L.255 1GR W282 LIV.SUP>CLD	TUBE D-10 L.255 TC 1GR W282	TUYAU D-10 L.255 TC 1GR W282	ROHR D-10 L.255 TC 1GR W282	TUB D-10 L.255 1GR W282 NIV.SUP>CAZ
11	52001434	TUB.D-8 L.280 2-3GR CTS AR 57	TUBE D-8 L.280 2-3GR CTS AR57	TUYAU D-8 L.280 2-3GR CTS AR57	ROHR D-8 L.280 2-3GR CTS AR57	TUB D-8 L.280 2-3GR CTS AR 57
12	52003446	TBS.D-10 L.105 2GR W307 LIV.INF>CLD	TUBE D-10 L.105 TOUCH 2GR W307	TUYAU D-10 L.105 TOUCH 2GR W307	ROHR D-10 L.105 TOUCH 2GR W307	TUB D-10 L.105 2GR W307 NIV.INF>CAZ
13	52003014	TBS.D-6 L.245 2>4GR SP 15INIET	TUBE D-6 L.245 SP15	TUYAU D-6 L.245 SP15	ROHR D-6 L.245 SP15	TUB D-6 L.245 2>4GR
14	52003444	TBS.D-4 L.680 2GR W305 POMPA>MANOM	TUBE D-4 L.680 TOUCH 2GR W305	TUYAU D-4 L.680 TOUCH 2GR W305	ROHR D-4 L.680 TOUCH 2GR W305	TUB D-4 L.680 2GR W305 POMPA>MANOM.
15	56134001	ASS.BLOCCETTO POMPA ORION 99	UNIT PUMP	ENSEMBLE POMPE	PUMPENSATZ	ANSAMBLU BLOCAJ POMPA ORION 99
16	25780	TAPPO MASCHIO OTTONE 1/4	BRASS MALE CAP 1/4	BOUCHON MALE LAITON 1/4	MESSING-STOPFEN 1/4	DOP DIN ALAMA PT. MASC. 1/4
17	12153	GU CU 1/4 17x13.3x1.5	1/4 17x13.3x1.5 COPPER SEAL	JOINT CUIVRE 1/4 17x13.3x1.5	KUPFERDICHTUNG 1/4 17x13.3x1.5	GARN. DIN CUPRU 1/4 17x13.3x1.5
18	53001001	CORPO LIVELLO INFERIORE MOD.x	LOWER LEVEL CONNECTOR	CORPS DE NIVEAU INFERIEUR	UNTERNIVEAUKORPER	CORP PT. NIVELUL INFERIOR
19	20354	VALVOLA CHIUSURA AEA	PRESSURE RELEASE TAP BULK UNIT	CLAPET FERMETURE AUT.ARRIVEE EAU	ABSPERRVENTIL x AUT.WASSERZUFUHR	VALVA DE INCHIDERE-AEA
20	12100	GU CU/ALIM 1/4 18.7x13.2x2.5	CU GASKET 1/4 18.7X13.2X2.5	JOINT CU 1/4 18.7X13.2X2.5	CU DICHTUNG 1/4 18.7x13.2x2.5	GARN. DIN CUPRU 18.7x13.2x2.5
21	43030001	RACC.INIETTORE 3/8Fx3/8Mx14F	3/8Fx3/8Mx14F INJECTOR FITTING	RACC. INJECTEUR 3/8Fx3/8Mx14F	ANSCHLUSS EINSPRITZER 3/8Fx3/8Mx14F	RAC.INJECTOR 3/8Fx3/8Mx14F
22	43052	RACC."L" 3/8	CONNECTOR 'L' 3/8	RACCORD 'L' 3/8	ANSCHLUSS 'L' 3/8	RACORD "L" 3/8
23	25356	CONTRDADO OTTONE 3/8	BRASS LOCK NUT 3/8	CONTRE-ECROU LAITON 3/8	MESSING-GEGENMUTTER 3/8	CONTRAPIULITA DIN ALAMA 3/8
24	25651	RONDELLA OTTONE 3/8	BRASS WASHER 3/8	RONDELLE LAITON 3/8	MESSINGSCHIEBE 3/8	SAIBA DIN ALAMA 3/8
25	43067	RACC."L" 3/8 GASx3/8 GAS L.30	3/8 GAS X 3/8 GAS L FITTING L.30	RACCORD L 3/8 GAZx3/8 GAZ L.30	ANSCHLUSS L3/8 GAS x 3/8 GAS L30	RACORD "L" 3/8 GASx3/8 GAS L.30
26	52003214	TUB.D-6 L.345 ECO-ORION WO 15	TUBE D-6 L.345 WO 15	TUYAU D-6 L.345 WO 15	ROHR D-6 L.345 WO 15	TUB D-6 L.345 WO 15
27	23201	RACC.OTT.GOM.D6.2 1/4x1/8-AEA	ELBOW BRASS CONNECTOR D6.2 1/4X1/8	RACCORD COUDE LAITON D6.2 1/4X1/8	MESSING-ANSCHLUSS D6.2 1/4x1/8	RAC. DIN ALAMA SI CAUCIUC D6.2
28*	18160052	EL.AEA.SIR.230V 50Hz L120C01F3ZA30A	SOL.VALVE WATER REFILL 220-230V/50	ELECTROVANNE REA 220-230V/50	ELEKTROVENTIL AWZ 220-230V/50	ELECTROV.AEA.SIR.230V 50Hz
29	10251001	FILTRO IN ACCIAIO D-8 Sp.0,3	STEEL FILTER D-8 - 0.3 THICK	FILTRE EN ACIER D-8 Ep.0, 3	STAHLFILTER D-8 Sp.0, 3	FILTRU DIN OTEL D-8 Sp.0,3
30	12155	GU CU 8.5x5x1	COPPER GASKET 8.5X5X1	JOINT CU 8.5X5X1	CU DICHTUNG 8.5x5x1	GARNITURA DIN CUPRU 8.5x5x1
31	23217	RACC.GOM.D10 3/8x1/8 CON AEA F 1.2	FITTING D10 3/8x1/8 WITH AWI F 1.2	RACCORD GOMME D10 3/8x1/8 AEE F 1.2	FITTING D10 3/8x1/8 MIT AWF.1.2	RACORD D10 3/8x1/8 CU AEA F1.2
32	10254	FILTRO ACCIAIO 160-200 MESH(EX	STEEL FILTER 160-200 MESH	FILTRE EN ACIER 160-200 MESH	STAHLFILTER 160-200 MESH	FILTRU DIN OTEL 160-200 MESH
33	12312	GU OR FILTRO AEA 10x2	O RING FOR WATER REFILL FILTER 10x2	JOINT OR FILTRE AUT.REM.EAU 10X2	OR DICHTUNG FUR WASSERFULLUNGFILTE	GARNITURA OR PT FILTRU AEA 10x2
34	25705	RACC.FILTRO AEA	AUT.WATER REFILL FILTER CONNECTOR	RACCORD FILTRE REM.EAU.AUT.	FILTERFITTING AUT.WASSERFULLUNG	RACORD PT. FILTRU AEA
35	52003202	TBS.D-6 L.130 ORION '99 WO 3 B	TUBE D-6 L.130 WO 3	TUYAU D-6 L.130 WO 3	ROHR D-6 L.130 WO 3	TUB D-6 L.130 WO 3
36	52003212	TBS.D-10 L.320 ECO-ORION WO 13	TUBE D-10 L.320 WO13	TUYAU D-10 L.320 WO13	ROHR D-10 L.320 WO13	TUB D-10 L.320 WO 13
37	52003224	TBS.D-8 L.260 ECO-ORION WO 18	TUBE D-8 L.260 WO18	TUYAU D-8 L.260 WO18	ROHR D-8 L.260 WO18	TUB D-8 L.260 WO 18
38	52002898	TUB.D-6 L.50 3 ORION W169 VALV	TUBE D-6 L.50 W169	TUYAU D-6 L.50 W169	ROHR D.6 L.50 W169	TUB D-6 L.50 W169
39	25732100	RACC.3/8Mx3/8F + SEDE FILTRO	FITTING 3/8Mx3/8F	RACCORD 3/8Mx3/8F	ANSCHLUSS 3/8Mx3/8F	RACORD FARA FILTRU 3/8Mx3/8F

28* 18160052 sost. da 18160053 (05.11.2012)



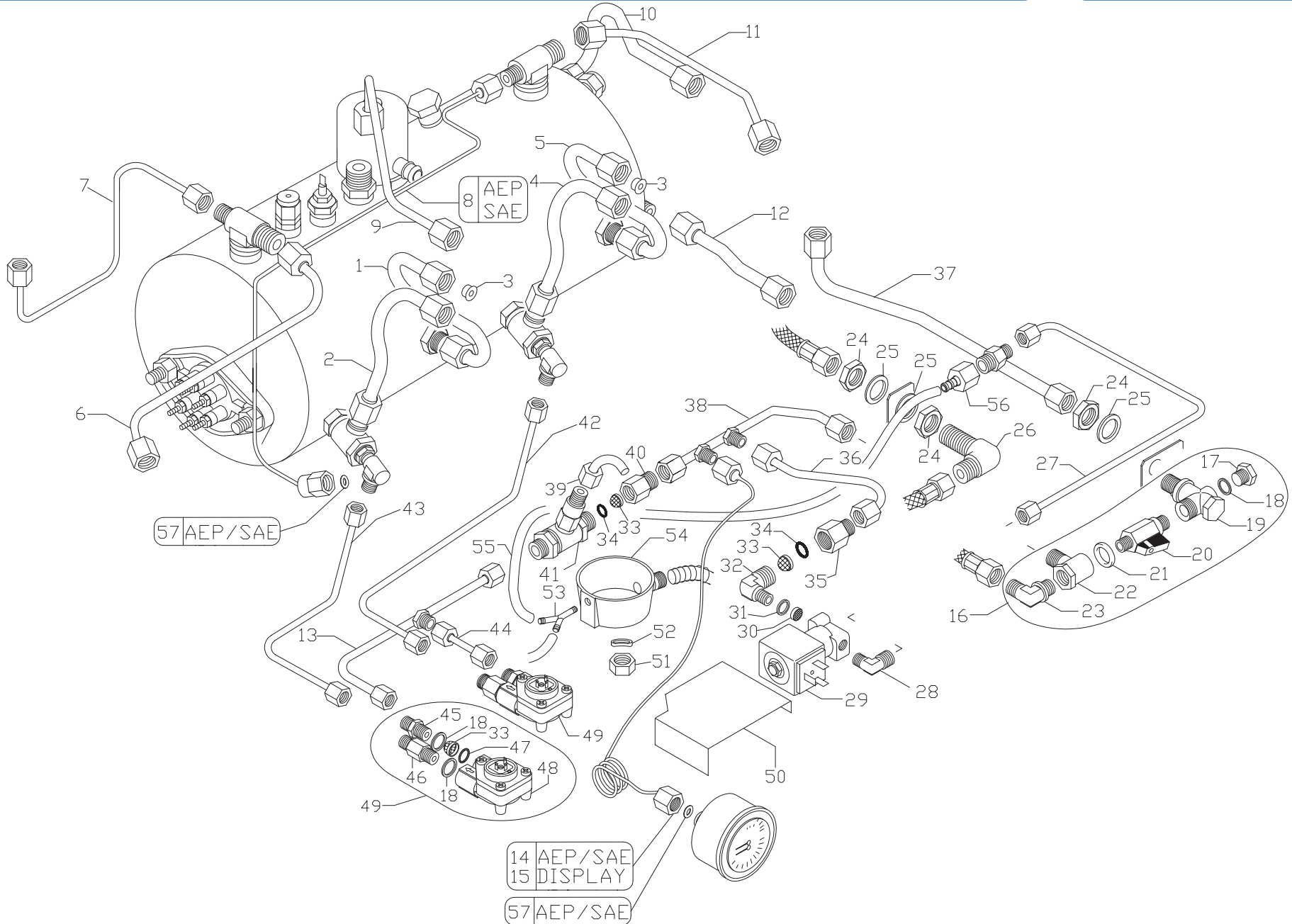
Pos	Cod.	Denominazione - IT -	Denomination - GB -	Denomination - FR -	Denomination - DE -	Denumire - RO -
40	20361	VALVOLA S.C.N.R. REGOLABILE *98*	ADJUSTABLE S.C.N.R. VALVE	SOUPAPE S.C.N.R. REGLABLE	EINSTELLBARES VENTIL S.N.C.R.	VALVA DE SIG. REGLABILA *98*
41	52000401	TBS.D-6 L.270 AEP/2 GL2 SCNR>TUB DV3	TUBE D-6 L.270 GL2	TUYAU D-6 L.270 GL2	ROHR D-6 L.270 GL2	TUB D-6 L.270 AEP/2 GL2 DV34
42	77604	COPRIELETTRVALVOLA AEA WO/WN	AEA SOLENOID VALVE COVER	COUVRE-ELECTROVANNE AEA	ABDECKUNG ELEKTROVENTIL AEA	PROTECTIE PT.ELECTROVALVA AEA WO/WN
43	23052	DADO OTTONE M10 UNI 5587	TOP BRASS NUT M10 UNI 5587	ECROU LAITON SUPERIEUR M10 UNI 5587	UNTER/MESSING MUTTER M10 UNI5587	PIULITA DIN ALAMA M10 UNI 5587
44	23267	RONDELLA ELAST.ONDUL.D10 DIN13	ELASTIC WASHER D10 DIN137	RONDELLE ELASTIQUE D10 DIN137	ELASTISCHE SCHEIBE D10 DIN137	SAIBA ELASTICA ONDULATA D10
45	15502	VASCHETTA SCARICO ROTONDA D 80	ROUND DRAIN BASIN D.80mm	CUVE A VIDANGER RONDE D.80mm	RUNDE ABFLUSSCHALE D.80mm	VAS DE SCURGERE ROTUND D.80mm
46	15422010	RACC. "Y" POLIPROPILENE D-10	"Y" POLIPROPILENE FITTING	RACCORD "Y" POLIPROPILENE	ANSCHLUSS "Y" POLIPROPILENE	RACORD "Y" DIN POLIPROPILENE D-10
47	15477013	TUBO SILIC.PLATI. 6x9(1MT=0.035KG)	SILICONE TUBE 6x9 (1MT=0.035 KG)	TUYAU SILICONE 6x9(1MT=0.035 KG)	SILIKONROHR 6x9(1MT=0.035 KG)	FURTUN DIN SILICON 6x9(1MT=0.035KG)
48	257396	RACC.SCARICO CALDAIA ASSIEMATO	FITTING	RACCORD	ANSCHLUSS	RACORD PT. SCURGERE
49	12155001	GU CU 8.5X3.3X1	COPPER SEAL 8.5X3.3X1	JOINT CUIVRE 8.5X3.3X1	KUPFERDICHTUNG 8.5X3.3X1	GARN. DIN CUPRU 8.5X3.3X1



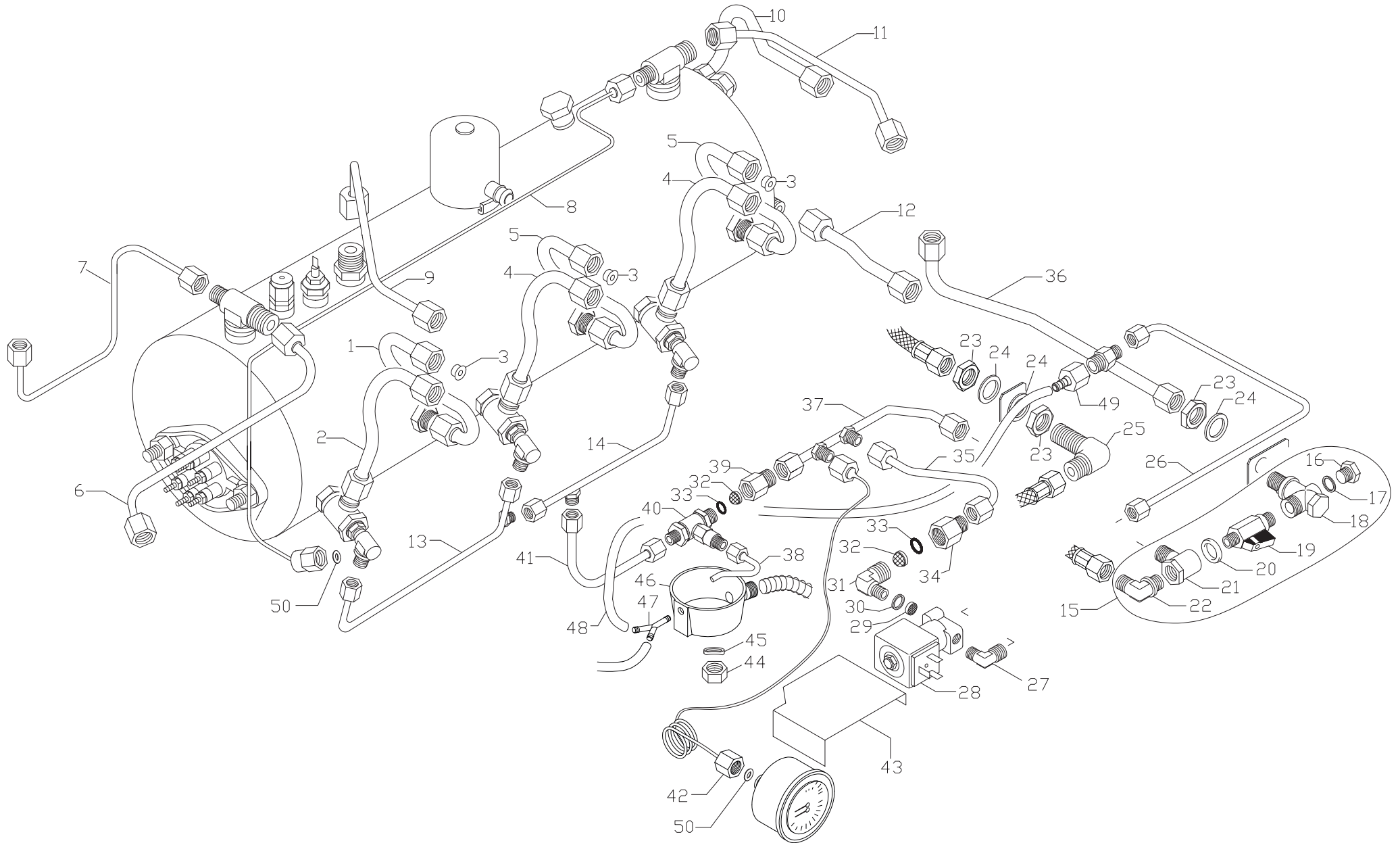


Pos	Cod.	Denominazione - IT -	Denomination - GB -	Denomination - FR -	Denomination - DE -	Denumire - RO -
1	52000214	TBS.D-10 L.195 DV15 SCAMBIATOR	D-10 195 L PIPE DV 15	TUYAU D-10 L.195 DV 15	ROHR D. 10 L.195 DV 15	TUB D-10 L.195 DV15 SCHIMBATOR
2	52000272	TBS.D-10 L.135 DV73 SCAMBIATOR	D-10 135 L PIPE DV 73	TUYAU D-10 L.135 DV 73	ROHR D. 10 L.135 DV 73	TUB D-10 L.135 DV73 SCHIMBATOR
3	23294003	STROZZATURA RICIRCOLO GR CTS D 4	CTS UNIT D 4 RECIRC. NECK	ETRANGLEMENT RECYCLAGE GR.D.4	ENGSTELLE UMWLZUNG D. 4	JIGLER PT.CIRCULATIE APA GR CTS D4
4	52000245	TBS.D-10 L.165 DV46 SCAMBIATOR	D-10 165 L PIPE DV 46	TUYAU D-10 L.165 DV 46	ROHR D. 10 L.165 DV 46	TUB D-10 L.165 DV46 SCHIMBATOR
5	52003934	TBS.D-10 L.210 MULTI 1G CTS MU	TUBE D-10 L.210 1G CTS	TUYAU D-10 L.210 1G CTS	ROHR D-10 L.210 1G CTS	TUB D-10 L.210 MULTI 1G CTS MU
6	52001436	TUB.D-8 L.220 2-3GR CTS AR 59	TUBE D-8 L.220 2-3GR CTS AR59	TUYAU D-8 L.220 2-3GR CTS AR59	ROHR D-8 L.220 2-3GR CTS AR59	TUB D-8 L.220 2-3GR CTS AR 59
7	52003443	TUB.D-6 L.310 TC 2GR W304 CLD>PRES	TUBE D-6 L.310 TC 2GR W304	TUYAU D-6 L.310 TC 2GR W304	ROHR D-6 L.310 TC 2GR W304	TUB D-6 L.310 2GR W304 CAZ>PRES
8	52003445	TBS.D-4 L.600 TC 2GR W306 CLD>MANOM	TUBE D-4 L.600 TC 2GR W306	TUYAU D-4 L.600 TC 2GR W306	ROHR D-4 L.600 TC 2GR W306	TUB D-4 L.600 2GR W306 CAZ>MANOM
9	52003462	TUB.D-8 L.310 TC 2-3GR W323 CLD>R.H2O	TUBE D-8 L.310 2-3GR W323	TUYAU D-8 L.310 2-3GR W323	ROHR D-8 L.310 2-3GR W323	TUB D-8 L.310 2-3GR W323
10	52003421	TBS.D-10 L.255 1GR W282 LIV.SUP>CLD	TUBE D-10 L.255 TC 1GR W282 R	TUYAU D-10 L.255 TC 1GR W282	ROHR D-10 L.255 TC 1GR W282	TUB D-10 L.255 W282 NIV.SUP>CAZ.
11	52001434	TUB.D-8 L.280 2-3GR CTS AR 57	TUBE D-8 L.280 2-3GR CTS AR57	TUYAU D-8 L.280 2-3GR CTS AR57	ROHR D-8 L.280 2-3GR CTS AR57	TUB D-8 L.280 2-3GR CTS AR 57
12	52003446	TBS.D-10 L.105 2GR W307 LIV.INF>CLD	TUBE D-10 L.105 TOUCH 2GR W307	TUYAU D-10 L.105 TOUCH 2GR W307	ROHR D-10 L.105 TOUCH 2GR W307	TUB D-10 L.105 W307 NIV.INF>CAZ.
13	52000320	TBS.D-8 L.215 DV2/A SCNR > DOS	TUBE D-8 L.215 DV 2/A	TUYAU D-8 L.215 DV 2/A	ROHR D. 8 L.215 DV 2/A	TUB D-8 L.215 DV2/A SCNR>DOZ.
14	52003444	TBS.D-4 L.680 2GR W305 POMPA>MANOM	TUBE D-4 L.680 TOUCH 2GR W305	TUYAU D-4 L.680 TOUCH 2GR W305	ROHR D-4 L.680 TOUCH 2GR W305	TUB D-4 L.680 2GR W305 POMPA>MAN.
15	52003460	TBS.D-4 L.680 2GR W321 POMPA>MANOM	TUBE D-4 L.680 TOUCH 2GR W321	TUYAU D-4 L.680 TOUCH 2GR W321	ROHR D-4 L.680 TOUCH 2GR W321	TUB D-4 L.680 2GR W321 POMPA>MAN.
16	56134001	ASS.BLOCCHETTO POMPA ORION 99	UNIT PUMP	ENSEMBLE POMPE	PUMPENSATZ	ANSAMBLU BLOCAJ POMPA ORION 99
17	25780	TAPPO MASCHIO OTTONE 1/4	BRASS MALE CAP 1/4	BOUCHON MALE LAITON 1/4	MESSING-STOPFEN 1/4	DOP DIN ALAMA PT.MASC.1/4
18	12153	GU CU 1/4 17x13.3x1.5	1/4 17x13.3x1.5 COPPER SEAL	JOINT CUIVRE 1/4 17x13.3x1.5	KUPFERDICHTUNG 1/4 17x13.3x1.5	GARN. DIN CUPRU 1/4 17x13.3x1.5
19	53001001	CORPO LIVELLO INFERIORE MOD.x	LOWER LEVEL CONNECTOR	CORPS DE NIVEAU INFERIEUR	UNTERNIVEAUKORPER	CORP PT. NIVELUL INFERIOR
20	20354	VALVOLA CHIUSURA AEA	PRESSURE RELEASE TAP BULK UNIT	CLAPET FERMETURE AUT.ARRIVEE EAU	ABSPERRVENTIL x AUT.WASSERZUFUHR	VALVA DE INCHIDERE-AEA
21	12100	GU CU/ALIM 1/4 18.7x13.2x2.5	CU GASKET 1/4 18.7X13.2X2.5	JOINT CU 1/4 18.7X13.2X2.5	CU DICHTUNG 1/4 18.7x13.2x2.5	GARN. DIN CUPRU 18.7x13.2x2.5
22	43030001	RACC.INIETTORE ITALIA 3/8Fx3/8Mx14F	3/8Fx3/8Mx14F INJECTOR FITTING	RACC. INJECTEUR 3/8Fx3/8Mx14F	ANSCHLUSS EINSPRITZER 3/8Fx3/8Mx14F	RAC.INJECTOR 3/8Fx3/8Mx14F
23	43052	RACC."L" 3/8	CONNECTOR 'L' 3/8	RACCORD 'L' 3/8	ANSCHLUSS 'L' 3/8	RACORD "L" 3/8
24	25356	CONTRODADO OTTONE 3/8	BRASS LOCK NUT 3/8	CONTRE-ECROU LAITON 3/8	MESSING-GEGENMUTTER 3/8	CONTRAPIULITA DIN ALAMA 3/8
25	25651	RONDELLA OTTONE 3/8	BRASS WASHER 3/8	RONDELLE LAITON 3/8	MESSINGSCHLEIBE 3/8	SAIBA DIN ALAMA 3/8
26	43067	RACC."L" 3/8 GASx3/8 GAS L.30	3/8 GAS X 3/8 GAS L FITTING L.30	RACCORD L 3/8 GAZx3/8 GAZ L.30	ANSCHLUSS L 3/8 GAS x 3/8 GAS L. 30	RACORD "L" 3/8 GASx3/8 GAS L.30
27	52003214	TUB.D-6 L.345 ECO-ORION WO 15	TUBE D-6 L.345 WO 15	TUYAU D-6 L.345 WO 15	ROHR D-6 L.345 WO 15	TUB D-6 L.345 WO 15
28	23201	RACC.OTT.GOM.D6.2 1/4x1/8-AEA	ELBOW BRASS CONNECTOR D6.2 1/4X1/8	RACCORD COUDE LAITON D6.2 1/4X1/8	MESSING-ANSCHLUSS D6.2 1/4x1/8	RAC. DIN ALAMA SI CAUCIUC D6.2
29*	18160052	EL.AEA.SIR.230V 50Hz L120C01F3ZA30A	SOL.VALVE WATER REFILL 220-230V/50	ELECTROVANNE REA 220-230V/50	ELEKTROVENTIL AWZ 220-230V/50	ELECTROV.AEA.SIR.230V 50Hz
30	10251001	FILTRO IN ACCIAIO D-8 Sp.0,3	STEEL FILTER D-8 - 0.3 THICK	FILTRE EN ACIER D-8 Ep.0, 3	STAHLFILTER D-8 Sp.0, 3	FILTRU DIN OTEL D-8 Sp.0,3
31	12155	GU CU 8.5x5x1	COPPER GASKET 8.5X5X1	JOINT CU 8.5X5X1	CU DICHTUNG 8.5x5x1	GARNITURA DIN CUPRU 8.5x5x1
32	23217	RACC.GOM.D10 3/8x1/8 CON AEA F 1.2	FITTING D10 3/8x1/8 WITH AWI F 1.2	RACCORD GOMME D10 3/8x1/8 AEE F 1.2	FITTING D10 3/8x1/8 MIT A.W.F. 1.2	RAC. D10 3/8x1/8 CU AEA F1.2
33	10254	FILTRO ACCIAIO 160-200 MESH(EX	STEEL FILTER 160-200 MESH	FILTRE EN ACIER 160-200 MESH	STAHLFILTER 160-200 MESH	FILTRU DIN OTEL 160-200 MESH
34	12312	GU OR FILTRO AEA 10x2	O RING FOR WATER REFILL FILTER 10x2	JOINT OR FILTRE AUT.REM.EAU 10X2	OR DICHTUNG FUR WASSERFULLUNGFILTER	GARNITURA OR PT FILTRU AEA 10x2
35	25705	RACC.FILTRO AEA	AUT.WATER REFILL FILTER CONNECTOR	RACCORD FILTRE REM.EAU.AUT.	FILTERFITTING AUT.WASSERFULLUNG	RACORD PT. FILTRU AEA
36	52003202	TBS.D-6 L.130 ORION '99 WO 3 B	TUBE D-6 L.130 WO 3	TUYAU D-6 L.130 WO 3	ROHR D-6 L.130 WO 3	TUB D-6 L.130 WO 3
37	52003212	TBS.D-10 L.320 ECO-ORION WO 13	TUBE D-10 L.320 WO 13	TUYAU D-10 L.320 WO13	ROHR D-10 L.320 WO 13	TUB D-10 L.320 WO 13
38	52003224	TBS.D-8 L.260 ECO-ORION WO 18	TUBE D-8 L.260 WO 18	TUYAU D-8 L.260 WO18	ROHR D-8 L.260 WO 18	TUB D-8 L.260 WO 18
39	52002898	TUB.D-6 L.50 3 ORION W 169 VALV	TUBE D-6 L.50 W 169	TUYAU D-6 L.50 3 W169	ROHR D-6 L.50 W 169	TUB D-6 L.50 W169

29* 18160052 sost. da 18160053 (05.11.2012)

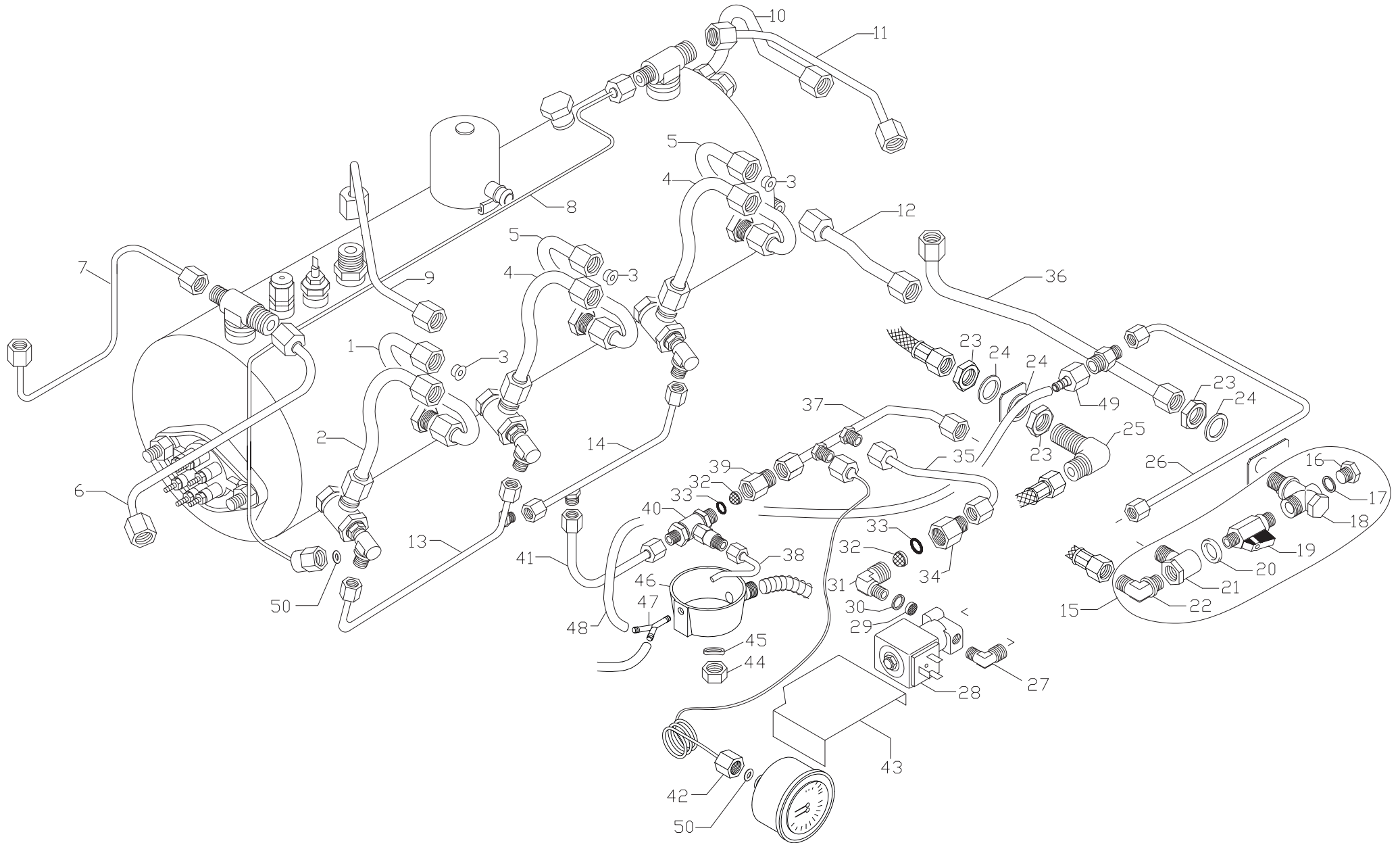


Pos	Cod.	Denominazione - IT -	Denomination - GB -	Denomination - FR -	Denomination - DE -	Denumire - RO -
40	25732100	RACC. 3/8Mx3/8F + SEDE FILTRO	FITTING 3/8Mx3/8F	RACCORD 3/8Mx3/8F	ANSCHLUSS 3/8Mx3/8F	RACORD FARA FILTRU 3/8Mx3/8F
41	20361	VALVOLA S.C.N.R. REGOLABILE *98*	ADJUSTABLE S.C.N.R. VALVE	SOUPAPE S.C.N.R. REGLABLE	EINSTELLBARES VENTIL S.N.C.R.	VALVA DE SIG. REGLABILA *98*
42	52003448	TBS.D-6 L.360 TC 2GR W309 CLD>DOS	TUBE D-6 L.360 TC 2GR W309	TUYAU D-6 L.360 TC 2GR W309	ROHR D-6 L.360 TC 2GR W309	TUB D-6 L.360 TC 2GR W309 CAZ>DOZ
43	52003447	TBS.D-6 L.280 TC 2GR W308 CLD>DOS	TUBE D-6 L.280 TC 2GR W308	TUYAU D-6 L.280 TC 2GR W308	ROHR D-6 L.280 TC 2GR W308	TUB D-6 L.280 TC 2GR W308 CAZ>DOZ
44	52000202	TBS.D-6 L.65 DV3 TBS.DV2 > DOS	TUBE D-6 L.65 DV 3	TUYAU D-6 L.65 DV3	ROHR D-6 L.65 DV	TUB D-6 L.65 DV3 TUB DV2>DOZ.
45	25686	RACC.1/4x1/4 FLANGIA	CONNECTOR 1/4 x 1/4 FLANGE	RACCORD 1/4 x 1/4 BRIDE	ANSCHLUSS 1/4x1/4 FLANSCH	RACORD 1/4 x 1/4
46	25708	RACC.1/4x1/4 GRUPPO LEVETTA	1/4x1/4 FITTING	RACCORD 1/4x1/4	ANSCHLUSS 1/4x1/4	RACORD 1/4 x 1/4
47	12329	GU OR 2031 7.66xW1.78 H2O D.E	O RING 2031 HNBR 7.66xW1.78	JOINT OR 2031 HNBR 7.66x1.78	OR DICHTUNG 2031 HNBR 7.66xW1.78	GARN.OR 2031 7.66xW1.78 H2O D.E
48	18126	DOSATORE FLOWMETER FH 12 909602	DOSER FLOWMETER FH 12 909602	DOSEUR FLOWMETER FH 12 909602	DOSIERER FLOWMETER FH 12 909602	DOZATOR VOLUMETRIC FLOWMETER FH 12
49	56122000	ASSIEME DOSATORE	DOSER KIT	ENSEMBLE DOSEUR	UNTER DOSIERER	ANSAMBLU DOZATOR VOLUMETRIC
50	77604	COPRIELETTRIVALVOLA AEA WO/WN	AEA SOLENOID VALVE COVER	COUVRE-ELECTROVANNE AEA	ABDECKUNG ELEKTROVENTIL AEA	PROT. PT. ELECTROVALVA AEA WO/WN
51	23052	DADO OTTONE M10 UNI 5587	TOP BRASS NUT M10 UNI 5587	ECROU LAITON SUPERIEUR M10 UNI 5587	UNTER/MESSING MUTTER M10 UNI 5587	PIULITA DIN ALAMA M10 UNI 5587
52	23267	RONDELLA ELAST.ONDUL.D10 DIN13	ELASTIC WASHER D10 DIN137	RONDELLE ELASTIQUE D10 DIN137	ELASTISCHE SCHEIBE D10 DIN137	SAIBA ELASTICA OND.D10
53	15422010	RACC."Y"POLIPROPILENE D-10	"Y" POLIPROPILENE FITTING	RACCORD "Y" POLIPROPILENE	ANSCHLUSS "Y" POLIPROPILENE	RACORD 'Y' DIN POLIPROPILENE D10
54	15502	VASCHETTA SCARICO ROTONDA D 80	ROUND DRAIN BASIN D.80mm	CUVE A VIDANGER RONDE D.80mm	RUNDE ABFLUSSCHALE D.80mm	VAS DE SCURGERE ROTUND D.80mm
55	15477013	TUBO SILIC.PLATIN.(6x91MT=0.035KG)	SILICONE TUBE 6x9 (1MT=0.035 KG)	TUYAU SILICONE 6x9 (1MT=0.035 KG)	SILIKONROHR 6x9 (1MT=0.035 KG)	FURTUN DIN SILIC 6x91MT=0.035KG)
56	257396	RACC.SCARICO CALDAIA ASSIEMATO	FITTING	RACCORD	ANSCHLUSS	RACORD PT. SCURGERE
57	12155001	GU CU 8.5X3.3X1	COPPER SEAL 8.5X3.3X1	JOINT CUIVRE 8.5X3.3X1	KUPFERDICHTUNG 8.5X3.3X1	GARN. DIN CUPRU 8.5X3.3X1

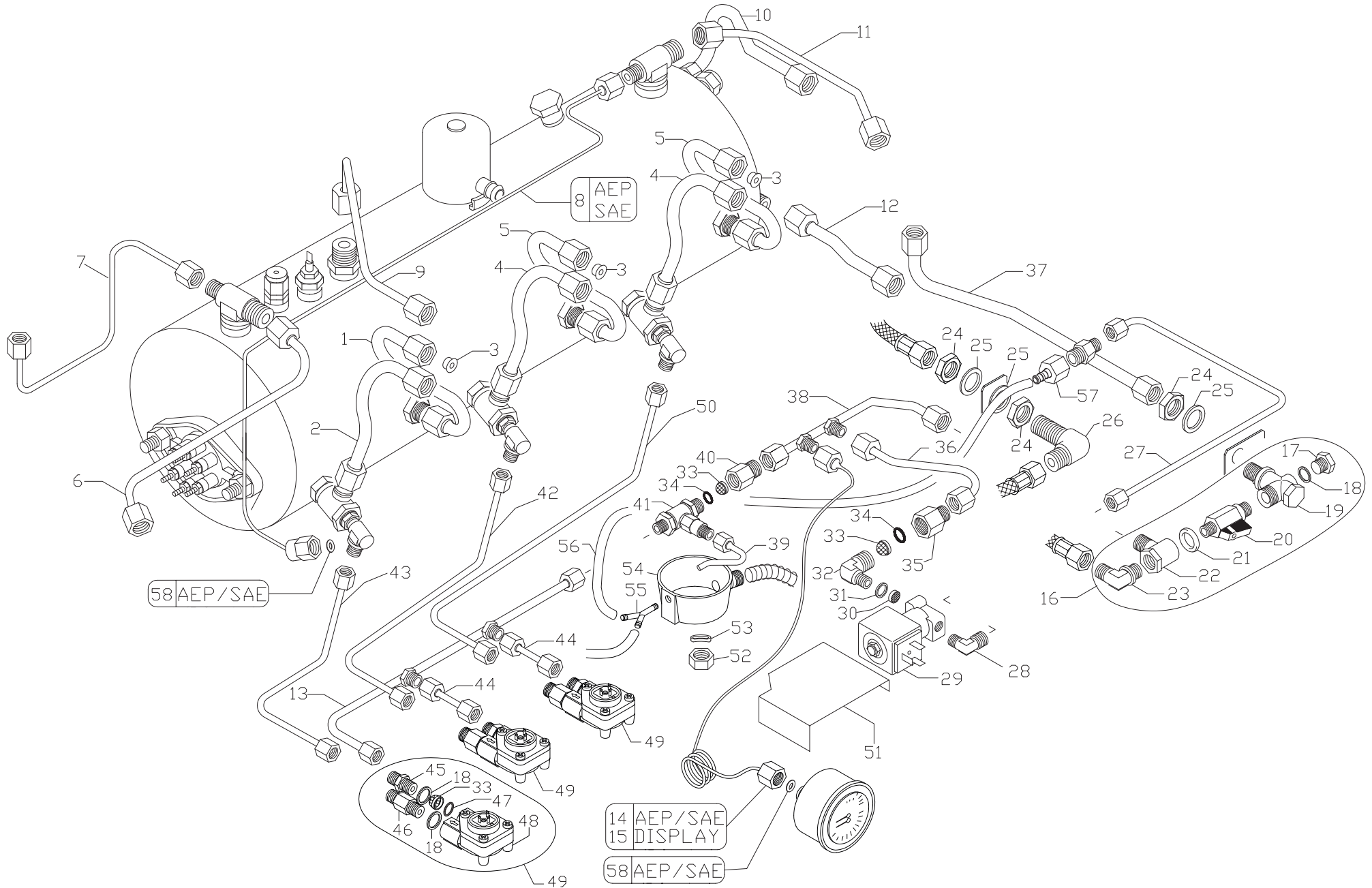


Pos	Cod.	Denominazione - IT -	Denomination - GB -	Denomination - FR -	Denomination - DE -	Denumire - RO -
1	52000214	TBS.D-10 L.195 DV15 SCAMBIATOR	D-10 L.195 PIPE DV 15	TUYAU D-10 L.195 DV 15	ROHR D-10 L.195 DV 15	TUB D-10 L.195 DV15 SCHIMBATOR
2	52000272	TBS.D-10 L.135 DV73 SCAMBIATOR	D-10 L.135 PIPE DV 73	TUYAU D-10 L.135 DV 73	ROHR D-10 L.135 DV 73	TUB D-10 L.135 DV73 SCHIMBATOR
3	23294003	STROZZATURA RICIRCOLO GR CTS D 4	CTS UNIT D 4 RECIRC. NECK	ETRANGLEMENT RECYCLAGE GR.D.4	ENGSTELLE UMWLZUNG D.4	JIGLER PT.CIRCULATIE APA GR CTS D
4	52000245	TBS.D-10 L.165 DV46 SCAMBIATOR	D-10 L165 PIPE DV 46	TUYAU D-10 L.165 DV 46	ROHR D-10 L.165 DV 46	TUB D-10 L.165 DV46 SCHIMBATOR
5	52003934	TBS.D-10 L.210 MULTI 1G CTS MU	TUBE D-10 L.210 1G CTS	TUYAU D-10 L.210 1G CTS	ROHR D-10 L.210 1G CTS	TUB D-10 L.210 MULTI 1G CTS MU
6	52001436	TUB.D-8 L.220 2-3GR CTS AR 59	TUBE D-8 L.220 2-3GR CTS AR59	TUYAU D-8 L.220 2-3GR CTS AR59	ROHR D-8 L.220 2-3GR CTS AR59	TUB D-8 L.220 2-3GR CTS AR 59
7	52003443	TUB.D-6 L.310 TC 2GR W304 CLD>PRES	TUBE D-6 L.310 TC 2GR W304	TUYAU D-6 L.310 TC 2GR W304	ROHR D-6 L.310 TC 2GR W304	TUB D-6 L.310 TC 2GR W304 CAZ>PRE
8	52003452	TBS.D-4 L.865 TC 3GR W313 CLD>MANOM	TUBE D-4 L.865 TC 3GR W313	TUYAU D-4 L.865 TC 3GR W313	ROHR D-4 L.865 TC 3GR W313	TUB D-4 L.865 TC 3GR W313 CAZ>MAN
9	52003462	TUB.D-8 L.310 2-3GR W323 CLD>RUB.H2O	TUBE D-8 L.310 2-3GR W323	TUYAU D-8 L.310 2-3GR W323	ROHR D-8 L.310 2-3GR W323	TUB D-8 L.310 2-3GR W323
10	52003421	TBS.D-10 L.255 1GR W282 LIV.SUP>CLD	TUBE D-10 L.255 TC 1GR W282	TUYAU D-10 L.255 TC 1GR W282	ROHR D-10 L.255 TC 1GR W282	TUB D-10 L.255 1GR W282 NIV.SUP>CA
11	52001434	TUB.D-8 L.280 2-3GR CTS AR 57	TUBE D-8 L.280 2-3GR CTS AR57	TUYAU D-8 L.280 2-3GR CTS AR57	ROHR D-8 L.280 2-3GR CTS AR57	TUB D-8 L.280 2-3GR CTS AR 57
12	52003446	TBS.D-10 L.105 2GR W307 LIV.INF>CLD	TUBE D-10 L.105 TOUCH 2GR W307	TUYAU D-10 L.105 TOUCH 2GR W307	ROHR D-10 L.105 TOUCH 2GR W307	TUB D-10 L.105 2GR W307 NIV.INF>CA
13	52003014	TBS.D-6 L.245 2>4GR SP 15INIET	TUBE D-6 L.245 SP15	TUYAU D-6 L.245 SP15	ROHR D-6 L.245 SP15	TUB D-6 L.245 2>4GR
14	52003454	TBS.D-6 L.245 TC 3GR W315	TUBE D-6 L.245 TC 3GR W315	TUYAU D-6 L.245 TC 3GR W315	ROHR D-6 L.245 TC 3GR W315	TUB D-6 L.245 TC 3GR W315
15	56134001	ASS.BLOCCETTO POMPA ORION 99	UNIT PUMP	ENSEMBLE POMPE	PUMPENSATZ	ANSAMBLU BLOCAJ POMPA ORION 99
16	25780	TAPPO MASCHIO OTTONE 1/4	BRASS MALE CAP 1/4	BOUCHON MALE LAITON 1/4	MESSING-STOPFEN 1/4	DOP DIN ALAMA PT. MASC.1/4
17	12153	GU CU 1/4 17x13.3x1.5	1/4 17x13.3x1.5 COPPER SEAL	JOINT CUIVRE 1/4 17x13.3x1.5	KUPFERDICHTUNG 1/4 17x13.3x1.5	GARN. DIN CUPRU 1/4 17x13.3x1.5
18	53001001	CORPO LIVELLO INFERIORE MOD.x	LOWER LEVEL CONNECTOR	CORPS DE NIVEAU INFERIEUR	UNTERNIVEAUKORPER	CORP PT. NIVELUL INFERIOR
19	20354	VALVOLA CHIUSURA AEA	PRESSURE RELEASE TAP BULK UNIT	CLAPET FERMETURE AUT.ARRIVEE EAU	ABSPERRVENTIL x AUT.WASSERZUFUHR	VALVA DE INCHIDERE-AEA
20	12100	GU CU/ALIM 1/4 18.7x13.2x2.5	CU GASKET 1/4 18.7X13.2X2.5	JOINT CU 1/4 18.7X13.2X2.5	CU DICHTUNG 1/4 18.7x13.2x2.5	GARN. DIN CUPRU 18.7x13.2x2.5
21	43030001	RACC.INIETTORE 3/8Fx3/8Mx14F	3/8Fx3/8Mx14F INJECTOR FITTING	RACC. INJECTEUR 3/8Fx3/8Mx14F	ANSCHLUSS EINSPRITZER 3/8Fx3/8Mx14F	RAC.INJECTOR 3/8Fx3/8Mx14F
22	43052	RACC."L" 3/8	CONNECTOR 'L' 3/8	RACCORD 'L' 3/8	ANSCHLUSS 'L' 3/8	RACORD "L" 3/8
23	25356	CONTRODADO OTTONE 3/8	BRASS LOCK NUT 3/8	CONTRE-ECROU LAITON 3/8	MESSING-GEGENMUTTER 3/8	CONTRAPIULITA DIN ALAMA 3/8
24	25651	RONDELLA OTTONE 3/8	BRASS WASHER 3/8	RONDELLE LAITON 3/8	MESSINGSCHIEBE 3/8	SAIBA DIN ALAMA 3/8
25	43067	RACC."L" 3/8 GASx3/8 GAS L.30	3/8 GAS X 3/8 GAS L FITTING L.30	RACCORD L 3/8 GAZx3/8 GAZ L.30	ANSCHLUSS L 3/8 GAS x 3/8 GAS L. 30	RACORD "L" 3/8 GASx3/8 GAS L.30
26	52003214	TUB.D-6 L.345 ECO-ORION WO 15	TUBE D-6 L.345 WO 15	TUYAU D-6 L.345 WO 15	ROHR D-6 L.345 WO 15	TUB D-6 L.345 WO 15
27	23201	RACC.OTT.GOM.D6.2 1/4x1/8-AEA	ELBOW BRASS CONNECTOR D6.2 1/4X1/8	RACCORD COUDE LAITON D6.2 1/4X1/8	MESSING-ANSCHLUSS D6.2 1/4x1/8	RAC. DIN ALAM. SI CAUCIUC D6.2
28*	18160052	EL.AEA.SIR.230V 50Hz L120C01F3ZA30A	SOL.VALVE WATER REFILL 220-230V/50	ELECTROVANNE REA 220-230V/50	ELEKTROVENTIL AWZ 220-230V/50	ELECTROV.AEA.SIR.230V 50Hz
29	10251001	FILTRO IN ACCIAIO D-8 Sp.0,3	STEEL FILTER D-8 - 0.3 THICK	FILTRE EN ACIER D-8 Ep.0, 3	STAHLFILTER D-8 Sp.0, 3	FILTRU DIN OTEL D-8 Sp.0,3
30	12155	GU CU 8.5x5x1	COPPER GASKET 8.5X5X1	JOINT CU 8.5X5X1	CU DICHTUNG 8.5x5x1	GARNITURA DIN CUPRU 8.5x5x1
31	23217	RACC.GOM.D10 3/8x1/8 CON AEA F 1.2	FITTING D10 3/8x1/8 WITH AWI F 1.2	RACCORD GOMME D10 3/8x1/8 AEE F	FITTING D10 3/8x1/8 MIT A.W.F. 1.2	RAC. D10 3/8x1/8 CU AEA F1.2
32	10254	FILTRO ACCIAIO 160-200 MESH(EX	STEEL FILTER 160-200 MESH	FILTRE EN ACIER 160-200 MESH	STAHLFILTER 160-200 MESH	FILTRU DIN OTEL 160-200 MESH
33	12312	GU OR FILTRO AEA 10x2	O RING FOR WATER REFILL FILTER 10x2	JOINT OR FILTRE AUT.REM.EAU 10X2	OR DICHTUNG FUR WASSERFULLUNGFILTER	GARNITURA OR PT FILTRU AEA 10x2
34	25705	RACC.FILTRO AEA	AUT.WATER REFILL FILTER CONNECTOR	RACCORD FILTRE REM.EAU.AUT.	FILTERFITTING AUT.WASSERFULLUNG	RACORD PT. FILTRU AEA
35	52003202	TBS.D-6 L.130 ORION '99 WO 3 B	TUBE D-6 L.130 WO 3	TUYAU D-6 L.130 WO 3	ROHR D-6 L.130 WO 3	TUB D-6 L.130 WO 3
36	52003212	TBS.D-10 L.320 ECO-ORION WO 13	TUBE D-10 L.320 WO 13	TUYAU D-10 L.320 WO 13	ROHR D-10 L.320 WO13	TUB D-10 L.320 WO 13
37	52003224	TBS.D-8 L.260 ECO-ORION WO 18	TUBE D-8 L.260 WO 18	TUYAU D-8 L.260 WO 18	ROHR D-8 L.260 WO18	TUB D-8 L.260 WO 18
38	52001351	TUB.D-6 L.170 2GR SAE LD42 SCA	TUBE D-6 L.170 2GR SAE	TUYAU D-6 L.170 2GR SAE	ROHR D-6 L.170 2GR SAE	TUB D-6 L.170 2GR SAE
39	25732100	RACC.3/8Mx3/8F + SEDE FILTRO	FITTING 3/8Mx3/8F	RACCORD 3/8Mx3/8F	ANSCHLUSS 3/8Mx3/8F	RACORD FARA FILTRU 3/8Mx3/8F

28* 18160052 sost. da 18160053 (05.11.2012)

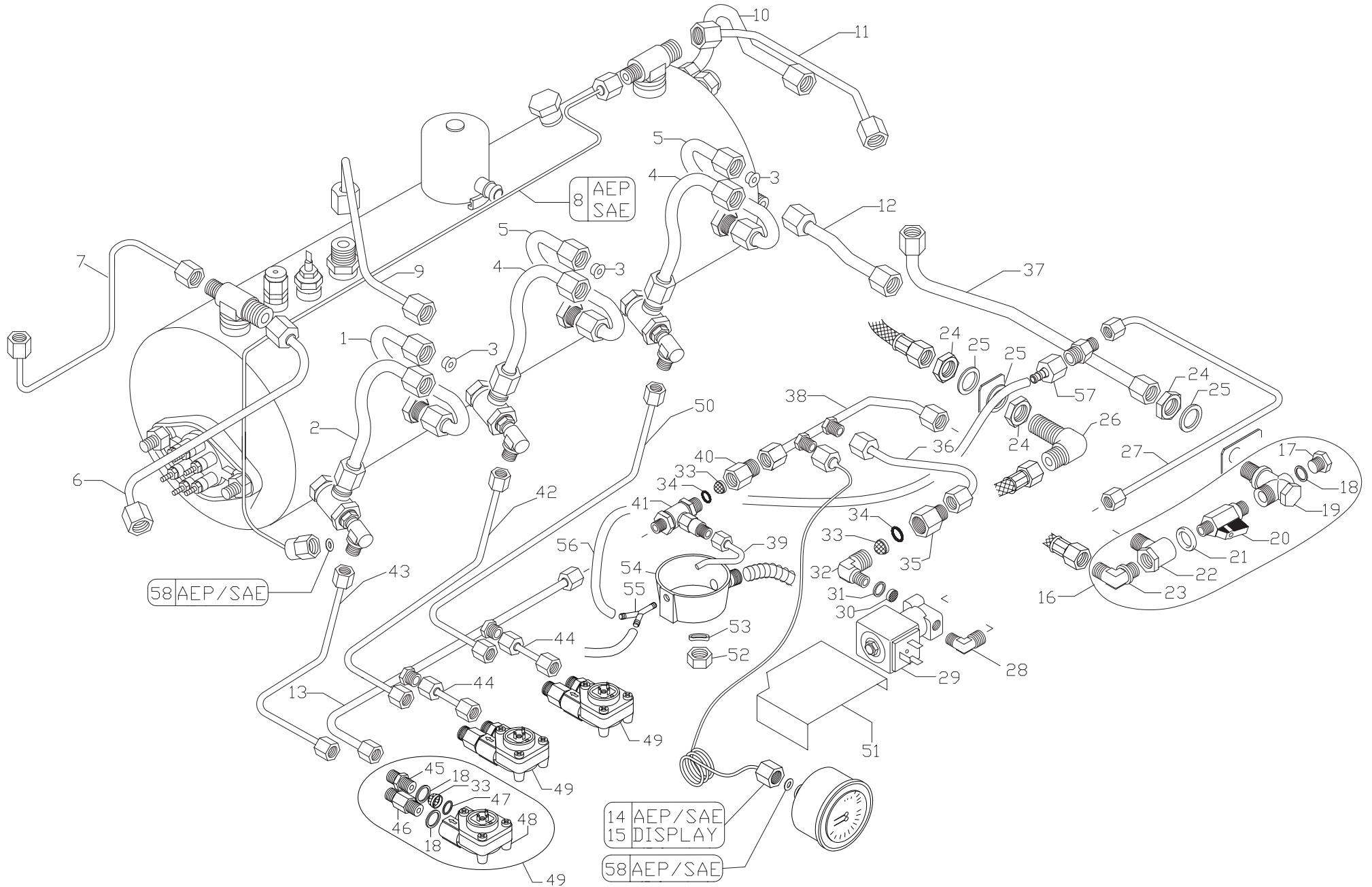


Pos	Cod.	Denominazione - IT -	Denomination - GB -	Denomination - FR -	Denomination - DE -	Denumire - RO -
40	20361	VALVOLA S.C.N.R. REGOLABILE *98*	ADJUSTABLE S.C.N.R. VALVE	SOUPAPE S.C.N.R. REGLABLE	EINSTELLBARES VENTIL S.N.C.R.	VALVA DE SIG. REGLABILA *98*
41	52003455	TUB.D-6 L.195 TC 3GR W316 SCNR>TUB	TUBE D-6 L.195 TC 3GR W316	TUYAU D-6 L.195 TC 3GR W316	ROHR D-6 L.195 TC 3GR W316	TUB D-6 L.195 TC 3GR W316
42	52003453	TBS.D-4 L.1025 TC 3GR W314 POMPA>MANI	TUBE D-4 L.1025 TC 3GR W314	TUYAU D-4 L.1025 TC 3GR W314	ROHR D-4 L.1025 TC 3GR W314	TUB D-4 L.1025 TC 3GR W314
43	77604	COPRIELETTRVALVOLA AEA WO/WN	AEA SOLENOID VALVE COVER	COUVRE-ELECTROVANNE AEA	ABDECKUNG ELEKTROVENTIL AEA	PROT. PT. ELECTROVALVA AEA WO/WN
44	23052	DADO OTTONE M10 UNI 5587	TOP BRASS NUT M10 UNI 5587	ECROU LAITON SUPERIEUR M10 UNI 5587	UNTER/MESSING MUTTER M10 UNI 5587	PIULITA DIN ALAMA M10 UNI 5587
45	23267	RONDELLA ELAST.ONDUL.D10 DIN13	ELASTIC WASHER D10 DIN137	RONDELLE ELASTIQUE D10 DIN137	ELASTISCHE SCHEIBE D10 DIN137	SAIBA ELASTICA ONDULATA D10
46	15502	VASCHETTA SCARICO ROTONDA D 80	ROUND DRAIN BASIN D.80mm	CUVE A VIDANGER RONDE D.80mm	RUNDE ABFLUSSCHALE D.80mm	VAS DE SCURGERE ROTUND D.80mm
47	15422010	RACC."Y" POLIPROPILENE D-10	"Y" POLIPROPILENE FITTING	RACCORD "Y" POLIPROPILENE	ANSCHLUSS "Y" POLIPROPILENE	RACORD'Y'DIN POLIPROPILENE D-10
48	15477013	TUBO SILIC.PLATIN. 6x9(1MT=0.035KG)	SILICONE TUBE 6x9 (1MT=0.035 KG)	TUYAU SILICONE 6x9 (1MT=0.035 KG)	SILIKONROHR 6x9 (1MT=0.035 KG)	FURTUN DIN SILICON 6x9(1MT=0.035KG)
49	257396	RACC.SCARICO CALDAIA ASSIEMATO	FITTING	RACCORD	ANSCHLUSS	RACORD PT. SCURGERE
50	12155001	GU CU 8.5X3.3X1	COPPER SEAL 8.5X3.3X1	JOINT CUIVRE 8.5X3.3X1	KUPFERDICHTUNG 8.5X3.3X1	GARN. DIN CUPRU 8.5X3.3X1



Pos	Cod.	Denominazione - IT -	Denomination - GB -	Denomination - FR -	Denomination - DE -	Denumire - RO -
1	52000214	TBS.D-10 L.195 DV15 SCAMBIATOR	D-10 L.195 PIPE DV 15	TUYAU D-10 L.195 DV 15	ROHR D.10 L.195 DV 15	TUB D-10 L.195 DV15 SCHIMBATOR
2	52000272	TBS.D-10 L.135 DV73 SCAMBIATOR	D-10 L.135 PIPE DV 73	TUYAU D-10 L.135 DV 73	ROHR D.10 L.135 DV 73	TUB D-10 L.135 DV73 SHIMBATOR
3	23294003	STROZZATURA RICIRCOLO GR CTS D 4	CTS UNIT D 4 RECIRC.NECK	ETRANGLEMENT RECYCLAGE GR.D.4	ENGSTELLE UMWLZUNG D.4	JIGLER PT. CIRCULATIE APA GR CTS D4
4	52000245	TBS.D-10 L.165 DV46 SCAMBIATOR	D-10 L.165 PIPE DV 46	TUYAU D-10 L.165 DV 46	ROHR D.10 L.165 DV 46	TUB D-10 L.165 DV46 SCHIMBATOR
5	52003934	TBS.D-10 L.210 MULTI 1G CTS MU	TUBE D-10 L.210 1G CTS	TUYAU D-10 L.210 1G CTS	ROHR D-10 L.210 1G CTS	TUB D-10 L.210 MULTI 1G CTS MU
6	52001436	TUB.D-8 L.220 2-3GR CTS AR 59	TUBE D-8 L.220 2-3GR CTS AR59	TUYAU D-8 L.220 2-3GR CTS AR59	ROHR D-8 L.220 2-3GR CTS AR59	TUB D-8 L.220 2-3GR CTS AR 59
7	52003443	TUB.D-6 L.310 TC 2GR W304 CLD>PRES	TUBE D-6 L.310 TC 2GR W304	TUYAU D-6 L.310 TC 2GR W304	ROHR D-6 L.310 TC 2GR W304	TUB D-6 L.310 2GR W304 CAZ>PRESO
8	52003452	TBS.D-4 L.865 TC 3GR W313 CLD>MANOM	TUBE D-4 L.865 TC 3GR W313	TUYAU D-4 L.865 TC 3GR W313	ROHR D-4 L.865 TC 3GR W313	TUB D-4 L.865 TC 3GR W313 CAZ>MANO
9	52003462	TUB.D-8 L.310 2-3GR W323 CLD>RUB H2O	TUBE D-8 L.310 2-3GR W323 CLD>R.H2O	TUYAU D-8 L.310 2-3GR W323	ROHR D-8 L.310 2-3GR W323	TUB D-8 L.310 2-3GR W323 CAZ>ROB.APA
10	52003421	TBS.D-10 L.255 1GR W282 LIV.SUP>CLD	TUBE D-10 L.255 TC 1GR W282	TUYAU D-10 L.255 TC 1GR W282	ROHR D-10 L.255 TC 1GR W282	TUB D-10 L.255 1GR W282 NIV.SUP>CAZ
11	52001434	TUB.D-8 L.280 2-3GR CTS AR 57	TUBE D-8 L.280 2-3GR CTS AR57	TUYAU D-8 L.280 2-3GR CTS AR57	ROHR D-8 L.280 2-3GR CTS AR57	TUB D-8 L.280 2-3GR CTS AR 57
12	52003446	TBS.D-10 L.105 2GR W307 LIV.INF>CLD	TUBE D-10 L.105 TOUCH 2GR W307	TUYAU D-10 L.105 TOUCH 2GR W307	ROHR D-10 L.105 TOUCH 2GR W307	TUB D-10 L.105 2GR W307 NIV.INF>CAZ
13	52000322	TBS.D-8 L.440 DV29/A SCNR > DO	TUBE D-8 L.440 DV29/A	TUYAU D-8 L.440 DV29/A	ROHR D-8 L.440 DV29/A	TUB D-8 L.440 DV29/A SCNR>DOZAT.
14	52003453	TBS.D-4 L.1025 3GR W314 POMPA>MANOM	TUBE D-4 L.1025 3GR W314	TUYAU D-4 L.1025 TOUCH 3GR W314	ROHR D-4 L.1025 TOUCH 3GR W314	TUB D-4 L.1025 3GR W314 POMPA>MANOM
15	52003461	TBS.D-4 L.1025 3GR W322 POMPA.MANOM	TUBE D-4 L.1025 3GR W322	TUYAU D-4 L.1025 TOUCH 3GR W322	ROHR D-4 L.1025 TOUCH 3GR W322	TUB D-4 L.1025 3GR W322 POMPA>MANOM
16	56134001	ASS.BLOCCETTO POMPA ORION 99	UNIT PUMP	ENSEMBLE POMPE	PUMPENSATZ	ANSAMBLU BLOCAJ POMPA ORION 99
17	25780	TAPPO MASCHIO OTTONE 1/4	BRASS MALE CAP 1/4	BOUCHON MALE LAITON 1/4	MESSING-STOPFEN 1/4	DOP DIN ALAMA PT. MASC.1/4
18	12153	GU CU 1/4 17x13.3x1.5	1/4 17x13.3x1.5 COPPER SEAL	JOINT CUIVRE 1/4 17x13.3x1.5	KUPFERDICHTUNG 1/4 17x13.3x1.5	GARN. DIN CUPRU 1/4 17x13.3x1.5
19	53001001	CORPO LIVELLO INFERIORE MOD.x	LOWER LEVEL CONNECTOR	CORPS DE NIVEAU INFERIEUR	UNTERNIVEAUKORPER	CORP PT. NIVELUL INFERIOR
20	20354	VALVOLA CHIUSURA AEA	PRESSURE RELEASE TAP BULK UNIT	CLAPET FERMETURE AUT.ARRIVEE EAU	ABSPERRVENTIL x AUT.WASSERZUFUHR	VALVA DE INCHIDERE-AEA
21	12100	GU CU/ALIM 1/4 18.7x13.2x2.5	CU GASKET 1/4 18.7X13.2X2.5	JOINT CU 1/4 18.7X13.2X2.5	CU DICHTUNG 1/4 18.7x13.2x2.5	GARN. DIN CUPRU 18.7x13.2x2.5
22	43030001	RACC.INIETTORE 3/8Fx3/8Mx14F	3/8Fx3/8Mx14F INJECTOR FITTING	RACC. INJECTEUR 3/8Fx3/8Mx14F	ANSCHLUSS EINSPRITZER 3/8Fx3/8Mx14F	RAC.INJECTOR 3/8Fx3/8Mx14F
23	43052	RACC."L" 3/8	CONNECTOR 'L' 3/8	RACCORD 'L' 3/8	ANSCHLUSS 'L' 3/8	RACORD "L" 3/8
24	25356	CONTRODADO OTTONE 3/8	BRASS LOCK NUT 3/8	CONTRE-ECROU LAITON 3/8	MESSING-GEGENMUTTER 3/8	CONTRAPIULITA DIN ALAMA 3/8
25	25651	RONDELLA OTTONE 3/8	BRASS WASHER 3/8	RONDELLE LAITON 3/8	MESSINGSCHLEIBE 3/8	SAIBA DIN ALAMA 3/8
26	43067	RACC."L" 3/8 GASx3/8 GAS L.30	3/8 GAS X 3/8 GAS L FITTING L.30	RACCORD L 3/8 GAZx3/8 GAZ L.30	ANSCHLUSS L 3/8 GAS x 3/8 GAS L. 30	RACORD "L" 3/8 GASx3/8 GAS L.30
27	52003214	TUB.D-6 L.345 ECO-ORION WO 15	TUBE D-6 L.345 WO 15	TUYAU D-6 L.345 WO 15	ROHR D-6 L.345 WO 15	TUB D-6 L.345 WO 15
28	23201	RACC.OTT.GOM.D6.2 1/4x1/8-AEA	ELBOW BRASS CONNECTOR D6.2 1/4X1/8	RACCORD COUDE LAITON D6.2 1/4X1/8	MESSING-ANSCHLUSS D6.2 1/4x1/8	RAC. DIN ALAMA SI CAUCIUC D6.2
29*	18160052	EL.AEA.SIR.230V 50Hz L120C01F3ZA30A	SOL.VALVE WATER REFILL 220-230V/50	ELECTROVANNE REA 220-230V/50	ELEKTROVENTIL AWZ 220-230V/50	ELECTROV.AEA.SIR.230V 50Hz
30	10251001	FILTRO IN ACCIAIO D-8 Sp.0,3	STEEL FILTER D-8 - 0.3 THICK	FILTRE EN ACIER D-8 Ep.0, 3	STAHLFILTER D-8 Sp.0, 3	FILTRU DIN OTEL D-8 Sp.0,3
31	12155	GU CU 8.5x5x1	COPPER GASKET 8.5X5X1	JOINT CU 8.5X5X1	CU DICHTUNG 8.5x5x1	GARNITURA DIN CUPRU 8.5x5x1
32	23217	RACC.GOM.D10 3/8x1/8 CON AEA F 1.2	FITTING D10 3/8x1/8 WITH AWI F 1.2	RACCORD GOMME D10 3/8x1/8 AEE F	FITTING D10 3/8x1/8 MIT A.W.F. 1.2	RACORD D10 3/8x1/8 CU AEA F1.2
33	10254	FILTRO ACCIAIO 160-200 MESH(EX	STEEL FILTER 160-200 MESH	FILTRE EN ACIER 160-200 MESH	STAHLFILTER 160-200 MESH	FILTRU DIN OTEL 160-200 MESH
34	12312	GU OR FILTRO AEA 10x2	O RING FOR WATER REFILL FILTER	JOINT OR FILTRE AUT.REM.EAU 10X2	OR DICHTUNG FUR WASSERFULLUNGFILTER	GARNITURA OR PT FILTRU AEA 10x2
35	25705	RACC.FILTRO AEA	AUT.WATER REFILL FILTER CONNECTOR	RACCORD FILTRE REM.EAU.AUT.	FILTERFITTING AUT.WASSERFULLUNG	RACORD PT. FILTRU AEA
36	52003202	TBS.D-6 L.130 ORION '99 WO 3 B	TUBE D-6 L.130 WO 3	TUYAU D-6 L.130 WO 3	ROHR D-6 L.130 WO 3	TUB D-6 L.130 WO 3
37	52003212	TBS.D-10 L.320 ECO-ORION WO 13	TUBE D-10 L.320 WO 13	TUYAU D-10 L.320 WO 13	ROHR D-10 L.320 WO 13	TUB D-10 L.320 WO 13
38	52003224	TBS.D-8 L.260 ECO-ORION WO 18	TUBE D-8 L.260 WO 18	TUYAU D-8 L.260 WO 18	ROHR D-8 L.260 WO 18	TUB D-8 L.260 WO 18
39	52001351	TUB.D-6 L.170 2GR SAE LD42 SCA	TUBE D-6 L.170 2GR SAE	TUYAU D-6 L.170 2GR SAE	ROHR D-6 L.170 2GR SAE	TUB D-6 L.170 2GR SAE

29* 18160052 sost. da 18160053 (05.11.2012)



Pos	Cod.	Denominazione - IT -	Denomination - GB -	Denomination - FR -	Denomination - DE -	Denumire - RO -
40	25732100	RACC.3/8Mx3/8F + SEDE FILTRO	FITTING 3/8M+3/8F	RACORD 3/8Mx3/8F	ANSCHLUSS 3/8Mx3/8F	RACORD 3/8Mx3/8F FARA FILTRU
41	20361	VALVOLA S.C.N.R. REGOLABILE *98*	ADJUSTABLE S.C.N.R. VALVE	SOUPAPE S.C.N.R. REGLABLE	EINSTELLBARES VENTIL S.N.C.R.	VALVA DE SIG. REGLABILA *98*
42	52003448	TBS.D-6 L.360 TC 2GR W309 CLD>DOS	TUBE D-6 L.360 TC 2GR W309	TUYAU D-6 L.360 TC 2GR W309	ROHR D-6 L.360 TC 2GR W309	TUB D-6 L.360 TC 2GR W309 CAZ>DOZ
43	52003447	TBS.D-6 L.280 TC 2GR W308 CLD>DOS	TUBE D-6 L.280 TC 2GR W308	TUYAU D-6 L.280 TC 2GR W308	ROHR D-6 L.280 TC 2GR W308	TUB D-6 L.280 TC 2GR W308 CAZ>DOZ
44	52000202	TBS.D-6 L.65 DV3 TBS.DV2>DOS	TUBE D-6 L.65 DV 3	TUYAU D-6 L.65 DV3	ROHR D-6 L.65 DV3	TUB D-6 L.65 DV3 TUB DV2 > DOZ
45	25686	RACC.1/4x1/4 FLANGIA	CONNECTOR 1/4 x 1/4 FLANGE	RACCORD 1/4 x 1/4 BRIDE	ANSCHLUSS 1/4x1/4 FLANSCH	RACORD 1/4 x 1/4
46	25708	RACC.1/4x1/4 GRUPPO LEVETTA	1/4x1/4 FITTING	RACCORD 1/4x1/4	ANSCHLUSS 1/4x1/4	RACORD 1/4 x 1/4
47	12329	GU OR 2031 VITON 7.66xW1.78 H2O D.E	O RING 2031 HNBR 7.66xW1.78	JOINT OR 2031 HNBR 7.66x1.78	OR DICHTUNG 2031 HNBR 7.66xW1.78	GARN OR 2031 VI.7.66xW1.78 H2O D.E
48	18126	DOSATORE FLOWMETER FH 12 909602	DOSER FLOWMETER FH 12 909602	DOSEUR FLOWMETER FH 12 909602	DOSIERER FLOWMETER FH 12 909602	DOZATOR VOLUMETRIC FLOWMETER FH 12
49	56122000	ASSIEME DOSATORE	DOSER KIT	ENSEMBLE DOSEUR	UNTER DOSIERER	ANSAMBLU DOZATOR VOLUMETRIC
50	52003456	TBS.D-6 L.530 TC 3GR W317 CLD>DOS	TUBE D-6 L.530 3GR W317	TUYAU D-6 L.530 3GR W317	ROHR D-6 L.530 3GR W317	TUD D-6 L.530 3GR W317 CAZ.>DOZ.
51	77604	COPRIELETTRVALVOLA AEA WO/WN	AEA SOLENOID VALVE COVER	COUVRE-ELECTROVANNE AEA	ABDECKUNG ELEKTROVENTIL AEA	PROTECT. PT. ELECTROVALVA AEA WO/WN
52	23052	DADO OTTONE M10 UNI 5587	TOP BRASS NUT M10 UNI 5587	ECROU LAITON SUPERIEUR M10 UNI 5587	UNTER/MESSING MUTTER M10 UNI 5587	PIULITA DIN ALAMA M10 UNI 5587
53	23267	RONDELLA ELAST.ONDUL.D10 DIN13	ELASTIC WASHER D10 DIN137	RONDELLE ELASTIQUE D10 DIN137	ELASTISCHE SCHEIBE D10 DIN137	SAIBA ELASTICA ONDULATA D10
54	15502	VASCHETTA SCARICO ROTONDA D 80	ROUND DRAIN BASIN D.80mm	CUVE A VIDANGER RONDE D.80mm	RUNDE ABFLUSSCHALE D.80mm	VAS DE SCURGERE ROTUND D.80mm
55	15422010	RACC."Y" POLIPROPILENE D-10	"Y" POLIPROPILENE FITTING	RACCORD "Y" POLIPROPILENE	ANSCHLUSS "Y" POLIPROPILENE	RACORD 'Y' DIN POLIPROPILENE D-10
56	15477013	TUBO SILIC.PLATIN.6x9 (1MT=0.035KG)	SILICONE TUBE 6x9 (1MT=0.035 KG)	TUYAU SILICONE 6x9 (1MT=0.035 KG)	SILIKONROHR 6x9 (1MT=0.035 KG)	FURTUN DIN SILICON 6x9(1MT=0.035KG)
57	257396	RACC.SCARICO CALDAIA ASSIEMATO	FITTING	RACCORD	ANSCHLUSS	RACORD PT. SCURGERE
58	12155001	GU CU 8.5X3.3X1	COPPER SEAL 8.5X3.3X1	JOINT CUIVRE 8.5X3.3X1	KUPFERDICHTUNG 8.5X3.3X1	GARN. DIN CUPRU 8.5X3.3X1

ILC

INDICE - INDEX - SOMMAIRE - VERZEICHNIS-INDEX

ILC-50

LIVELLO ACQUA - WATER LEVEL
NIVEAU EAU - WASSER NIVEAU - NIVELUL DE APA

rev.

00
03/2014

LIVELLO ACQUA

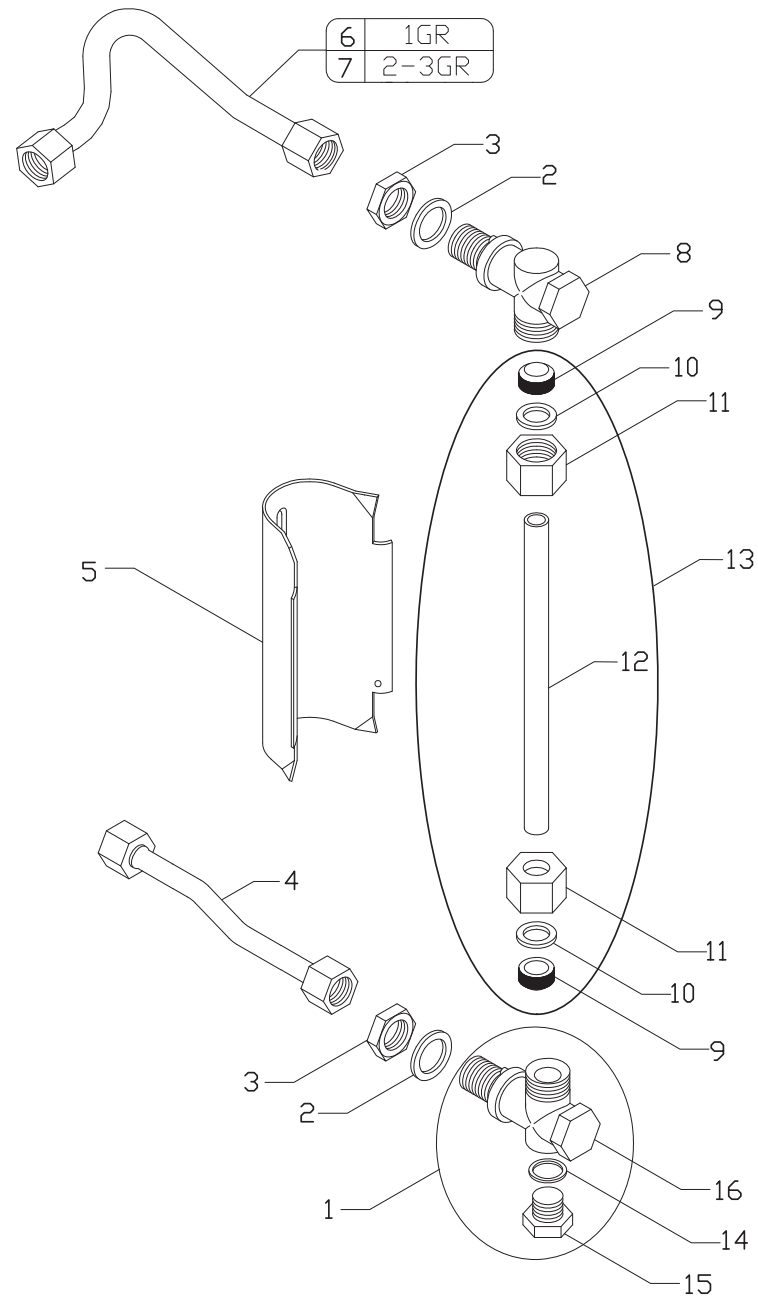
WATER LEVEL

NIVEAU EAU

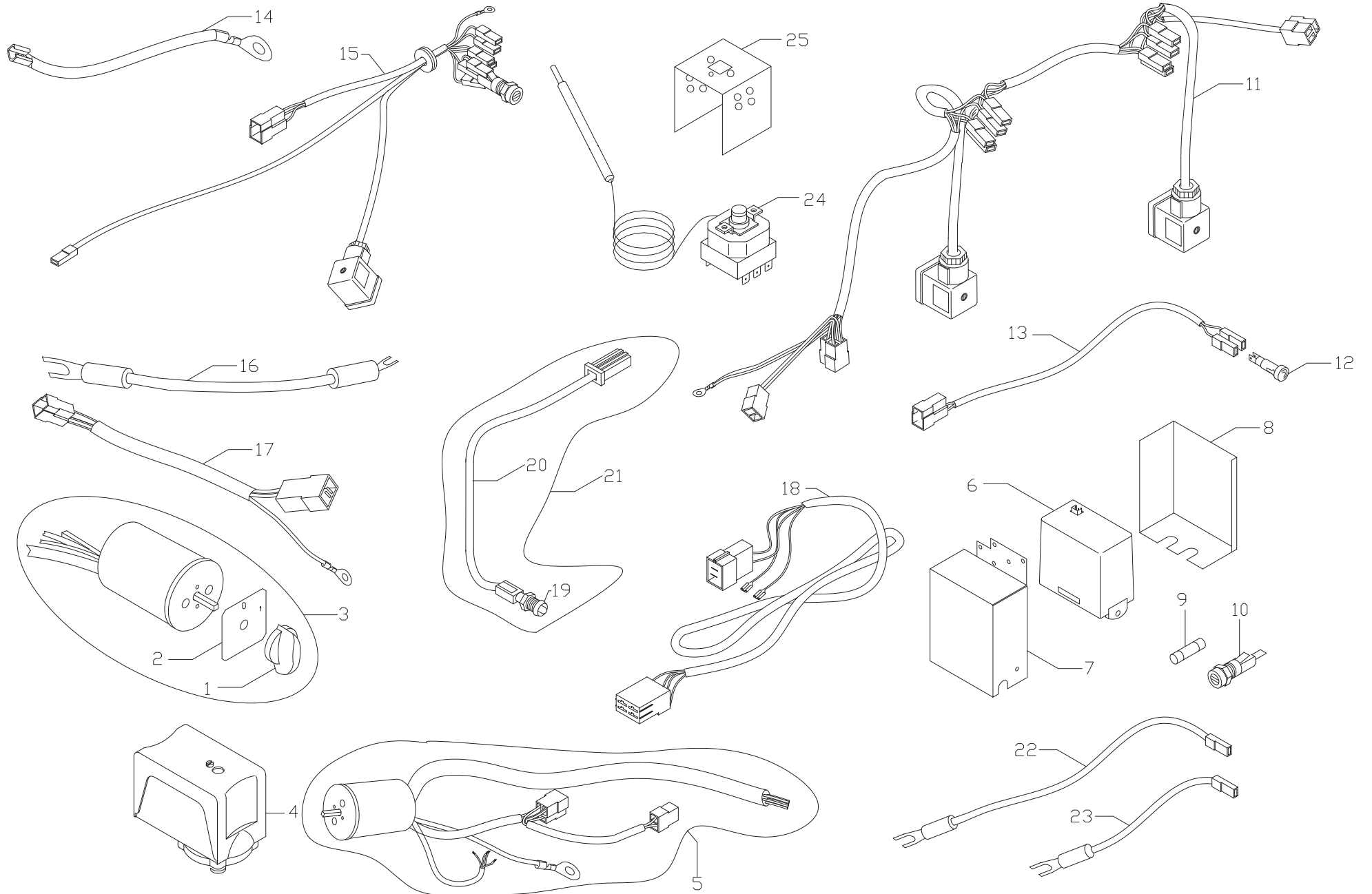
WASSER NIVEAU

NIVELUL DE APA

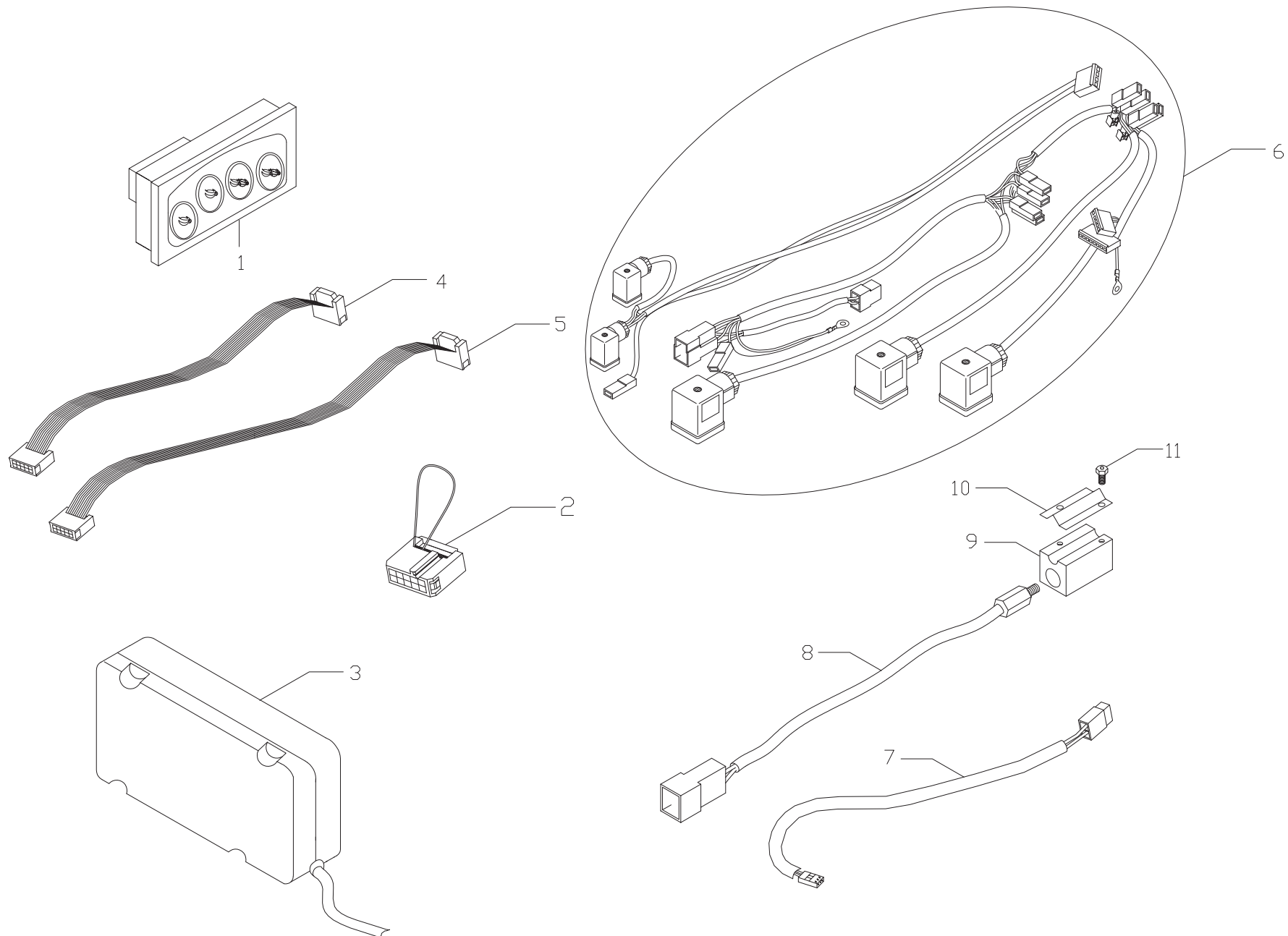
NEW START



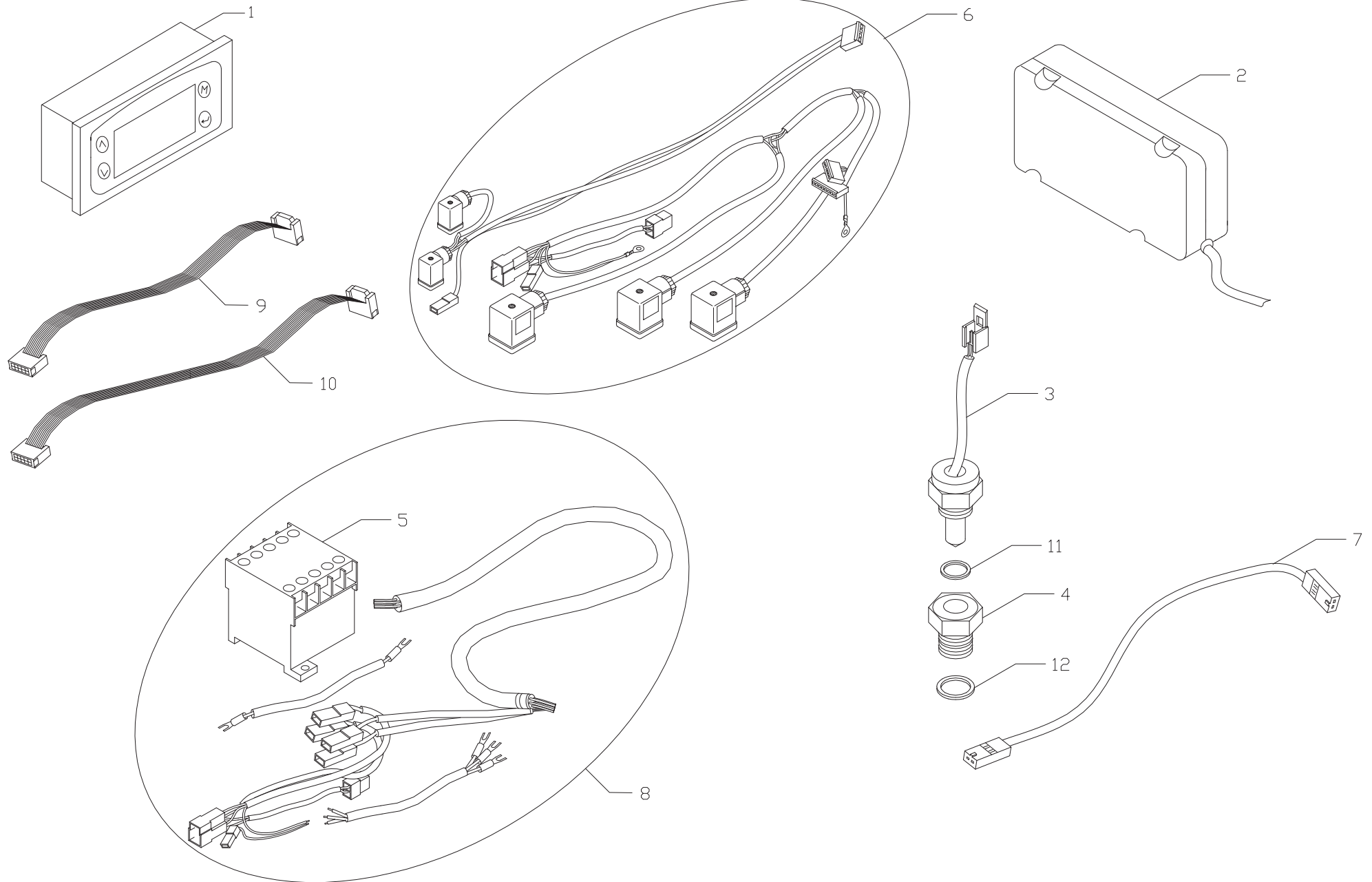
Pos.	Cod	Denominazione - IT -	Denomination - GB -	Denomination - FR -	Denomination - DE -	Denumire - RO -
1	56005	ASS.CORPO LIVELLO INFERIORE	LOWER LEVEL BODY UNIT	ENSEMBLE CORPS DE NIVEAU INFERIEUR	UNTER NIVEAUKORPER	ANSAMBLU CORP PT. NIVELUL INFERIOR
2	25651	RONDELLA OTTONE 3/8	BRASS WASHER 3/8	RONDELLE LAITON 3/8	MESSINGSCHEIBE 3/8	SAIBA DIN ALAMA 3/8
3	25356	CONTRODADO OTTONE 3/8	BRASS LOCK NUT 3/8	CONTRE-ECROU LAITON 3/8	MESSING-GEGENMUTTER 3/8	CONTRAPIULITA DIN ALAMA 3/8
4	52002958	TBS.D-10 L.160 W 1/E CLD >	TUBE D-10 L.160 W 1/E CLD >	TUYAU D-10 L.160 W 1/E CLD >	ROHR D-10 L.160 W 1/E CLD >	TUB D-10 L160 W 1/E CLD >
5	44002	COPRILIVELLO VERNICIATO BIANCO	LEVEL INDICATOR COVER PAINTED WHITE	COUVRE-NIVEAU LAQUE BLANC	NIVEAUDECKEL	PROT.ALBA PT. INDIC. DE NIVEL
6	52005118	TUB.D-10 L.260 START CTS 1GR SA19 CLD > LIV.SU	TUBE D-10 L.260 START CTS 1GR SA19 CLD > LIV.SU	TUYAU D-10 L.260 START CTS 1GR SA19 CLD > LIV.SU	ROHR D-10 L.260 START CTS 1GR SA19 CLD > LIV.SU	TUB D-10 L.260 START CTS 1GR SA19 CLD > LIV.SU
7	52005100	TBS.D-10 L.200 START CTS SA1 CLD > LIV.SUP.	TUBE D-10 L.200 START CTS SA1 CLD > LIV.SUP.	TUYAU D-10 L.200 START CTS SA1 CLD > LIV.SUP.	ROHR D-10 L.200 START CTS SA1 CLD > LIV.SUP.	TUB D-10 L.200 START CTS SA1 CLD > LIV.SUP.
8	53002	CORPO LIVELLO SUPERIORE	UPPER LEVEL BODY	CORPS DE NIVEAU SUPERIEUR	OBERNIVEAUKORPER	CORP PT. NIVELUL SUPERIOR
9	12200	GU GOMMA x LIVELLO 16x10x8 SMUSSATA	SIGHT GLASS RUBBER GASKET 16X10X8	JOINT CAOUTCHOUC DE NIVEAU 16X10X8	GUMMIDICHTUNG FR NIVEAU 16x10x8	GARN. DIN CAUCIUC PT.TUBUL DE NIV.
10	25652	RONDELLA OTTONE D17.8	BRASS WASHER D.17.8	RONDELLE LAITON D.17.8	MESSING-SCHEIBE D.17.8	SAIBA DIN ALAMA D 17.8
11	25383	DADO OTTONE M20x1.5	BRASS NUT 20x1.5	ECROU LAITON 20x1.5	MESSING-MUTTER 20x1.5	PIULTA DIN ALAMA M20x1.5
12	21300	TUBO VETRO PIREX LIVELLO 11x8x170	GLASS LEVEL TUBE 11X8X170	TUBE NIVEAU EN VERRE 11X8X170	NIVEAU GLASROHR 11x8x170	TUB PT. NIVEL DIN STICLA 11x8x170
13	56001	ASSIEME TUBO LIVELLO	LEVEL TUBE UNIT	ENSEMBLE TUBE DE NIVEAU	ROHRSATZ FUR NIVEAU	ANSAMBLU TUB NIVEL
14	12153	GU CU 1/4 17x13.3x1.5	1/4 17x13.3x1.5 COPPER SEAL	JOINT CUIVRE 1/4 17x13.3x1.5	KUPFERDICHTUNG 1/4 17x13.3x1.5	GARN. DIN CUPRU 1/4 17x13.3x1.5
15	25780	TAPPO MASCHIO OTTONE 1/4	BRASS MALE CAP 1/4	BOUCHON MALE LAITON 1/4	MESSING-STOPFEN 1/4	DOP DIN ALAMA PT. MASC. 1/4
16	53001	CORPO LIVELLO INFERIORE	LOWER LEVEL CONNECTOR	CORPS DE NIVEAU INFERIEUR	UNTERNIVEAUKORPER	CORP PT. NIVELUL INFERIOR



Pos.	Cod	Denominazione - IT -	Denomination - GB -	Denomination - FR -	Denomination - DE -	Denumire - RO -
1	15271	MANOPLA INT.GEN.BREMAS CMA/WE	MAIN SWITCH HAND GRIP	MANETTE INTERR. GENERAL	HAUPTSCHALTERGRIFF	INTRERUPATOR GENERAL BREMAS CMA/WE
2	29068	ET.AD.'0-1'NERO PLASTICO 58x58	PLASTIC ADHESIVE PLATE 0-1 58X58	PLAQUETTE ADHESIVE 0-1 58X58	KLEBESCHILD 0-1 58x58	ET.ADEZIVA DIN PLASTIC NEAGRA 58x58
3	18205	INTERR.BREM.A20.04 CA0170004.328	BREMAS SWITCH A20.04 CA0170004	INTERR.BREMAS A20.04 CA0170004	BREMAS SCHALTER A20.04	INTRER.BREMANS A20.04 CA0170004.328
3	18206	INTERR.BREM.A32.02 CA0250002.288	BREMAS SWITCH A32.02	INTERRUPTEUR BREMAS A32.02	BREMAS SCHALTER A32.02	INTRER.BREMANS A32.02 CA0250002.288
4	20150	PRESSOSTATO SECCO SIRAI P302/6	SIRAI P302/6 DRY PRESSURE SWITCH	PRESSOSTAT SEC SIRAI P302/6	TROCKENDRUCKWCHTER SIRAI P302/6	PRESOSTAT SIRAI P302/6
5	22927	INT.1-2GR 3F+N 18212 D2.5	END FLOAT SWITCH 1-2 GR 4PH	INTERRUPTEUR ASSEMBLE 1-2 GR 4PH	CONTROL SWITCH 230/240V	INT.ELECTRIC 1-2GR 3F+N 18212 D2.5
5	22933	INT.3-4GR 3F+N 18214 D4	END FLOAT SWITCH 3-4 GR 4PH	INTERRUPTEUR ASSEMBLE 3-4 GR 4PH	CONTROL SWITCH 230/240V	INT.ELECTRIC 3-4GR 3F+N 18214 D4
6	18080001	REG.LIV.RL30/T.O.220/240V 917500.00	LEVEL CONTROL RL30 220/240V	CONTROLE NIVEAU RL30 220/240V	WASSERNIVEAUREGLER RL30 220/240V	REG.NIVEL RL30/T.O.220/240V 917500.00
7	78200	SUPP.AEA RL30 x TUTTI I TELAI	AWR BEARING RL30xALL MOD.FRAMES	SUPP.REA RL30 POUR TOUS CHASSIS M	AWF HALTER RL30xFUR ALLE MOD.RAHMEN	SUPOPT PT. REG. DE NIVEL
8	77691F	PROT.CENTR.RL30 PER SUPP.78200	RL30 GEARCASE PROTECTION	PROTECTION RL30	SCHUTZGITTER RL30	PROTECTIE PT. SUPORTUL M78200
9	19101	FUSIBILE 5x20 2A SF520220 OMEGA	FUSE OMEGA 5x20 2A	FUSIBLE OMEGA 5x20 2A	SCHMELZSICH.OMEGA 5x20 2A	SIGURANTA 5x20 2A SF520220 OMEGA
10	19122	PORTAFUSIBILE P2300 10A 250V OMEGA	FUSE HOLDER 6.3A 250V	PORTE-FUSIBLE 6.3A 250V	SICHERUNGSHALTER 6.3A 250V	SUP.PT.SIGURANTA P2300 10A 250V OMEGA
11	227701	CABL.AEP/1 + JUNIOR NEW	AEP/1 + JUNIOR NEW WIRING	CABLAGE AEP/1 + JUNIOR NEW	VERKABELUNG AEP/1 + JUNIOR NEW	CABLU AEP/1+JUNIOR NOU
11	227702	CABL.AEP/2 NEW	AEP/2 + JUNIOR NEW WIRING	CABLAGE AEP/2 + JUNIOR NEW	VERKABELUNG AEP/2 + JUNIOR NEW	CABLU AEP/2 NOU
11	227703	CABL.AEP/3 NEW	AEP/3 + JUNIOR NEW WIRING	CABLAGE AEP/3 + JUNIOR NEW	VERKABELUNG AEP/3 + JUNIOR NEW	CABLU AEP/3 NOU
12	21011	LAMPA.SPIA VERDE 220V 332247030T	220V GREEN INDICATOR LIG	AMPOULE TEMOIN VERT 220V	KONTROLLEUCHE GRN 220V	LED VERDE 220V 332247030T
13	227181	CABL.PROLUNGA LAMPADINA	WIRING FOR LAMP	CABLE PROLONGE LAMPE	VERDRAHTUNG LAMPE	CABLU PRELUNGIRE LED
14	22051	CAVO FILO TERRA FT4 BM4+10101 L275	EARTH WIRE CABLE FT4 BM4+10101 L275	CABLE FIL TERRE FT4 BM4+10101 L275	ERDE KABEL FT4 BM4+10101 L275	CABL.PT.IMPAMANTARE FT4 BM4+10101 L275
15	22858	CABL.AEA 1>4GR ER NEW LUCIFER	CABLE A.W.R. 1-4GR	CABLAGE R.E.A. 1-4GR	VERDRAHTUNG A.W.F.1-4GR	CABLU ELECTRIC 1>4GR ER NOU LUCIFER
16	22412	CAVO RITORNO BU4-BU6 R8 L365	BACK CABLE BU4-BU6 R8 L=345	CABLE RETOUR BU4-BU6 R8 L=345	RUCKKEHRKABEL BU4-BU6 R8 L=345	CABLU INTOARCERE BU4-BU6 R8 L365
17	22717301	CABL.ALIM.MOT.RPM 120W NORMALE	CABLE SUPPLY MOTOR RPM 120W	CABLE ALIMENTER MOTEUR RPM 120W	KABEL DER FÜHREN MOTOR RPM 120W	CABLU DE ALIM.MOTOR 120W NORMAL
18	227173	CABL.ALIMENTAZIONE M.I. NORMALE	CABLE SUPPLY M.I.	CABLE ALIMENTER M.I.	KABEL DER FÜHREN M.I.	CABLU ALIMENTARE M.I. NORMAL
19	21024	LED D5 COL.ROSSO	RED LED D.5	LED ROUGE D.5	ROTES LED D.5	LED D5 ROSU
20	22625001	CAVO 1/2GR RL30/TIMEOUT SENZA LED	1/2 CABLE TIMEOUT UNIT EXCEPT LED	CABLE 1/2 GR. RL30/TIMEOUT LED	KABEL 1/2GR. RL30/TIMEOUT OHNE LED	CABLU 1/2GR RL30/TIMEOUT FARA LED
21	22625	CAVO 1/2GR RL30/TIMEOUT CON LED	1/2 CABLE TIMEOUT UNIT WITH LED	CABLE 1/2 GR. RL30/TIMEOUT LED	KABEL 1/2GR. RL30/TIMEOUT MIT LED	CABLU 1/2GR RL30/TIMEOUT CU LED
21	22626	CAVO 3/4GR RL30/TIMEOUT CON LED	3/4 CABLE TIMEOUT UNIT WITH LED	CABLE 3/4 GR. RL30/TIMEOUT LED	KABEL 3/4GR. RL30/TIMEOUT MIT LED	CABLU 3/4GR RL30/TIMEOUT CU LED
22	22415	CAVO RIP.PFF06-6/BF-U4 D2,5 L.540	CABLE.RIP.PFF06-6/BF-U4 D2,5	CABLAGE RIP.PFF06-6/BF-U4 D2,5	KABEL RIP.PFF06-6/BF-U4 D2,5 L.540	CABLU RIP.PFF06-6/BF-U4 D2,5 L.540
22	22420	CAVO RIT.PFF1-6/GF-U4 D4 L.540	CABLE RIT.PFF1-6/GF-U4 D4 L.540	CABLAGE RIT.PFF1-6/GF-U4 D4 L.540	KABEL RIT.PFF1-6/GF-U4 D4 L.540	CABLU RIT.PFF1-6/GF-U4 D4 L.540
23	22400503	CAVO RIT.PFF06-6/BF-U4 D2.5 L.250	CABLE.PFF06-6/BF-U4 D2.5 L.250	CABLAGE PFF06-6/BF-U4 D2.5 L.250	KABEL PFF06-6/BF-U4 D2.5 L.250	CABLU PFF06-6/BF-U4 D2.5 L.250
23	22400504	CAVO RIT.SILIC.4mmq L.250 FF6.3 C/F4	CABLE RIT.SILIC.4mmq L.250 FF6.3 C/F4	CABLAGE RIT.SILIC.4mmq L.250 FF6.3 C/F4	KABEL RIT.SILIC.4mmq L.250 FF6.3 C/F4	CABLU RIT.SILIC.4mmq L.250 FF6.3 C/F4
24	20300015	TERMOSTATO EGO 169 C 55.32532.020	THERMOSTAT 169 C55.32532.020	THERMOSTAT 169 C55.32532.020	TERMOSTAT 163 C55.32532.020	TERMOSTAT 163 C55.32532.020
25	77699003	SCATOLA TERMOSTATO EGO MCE	BOX THERMOSTAT MCE	BOITE THERMOSTAT MCE	SCHACHTEL TERMOSTAT MCE	CUTIE PT. TERMOSTAT MCE

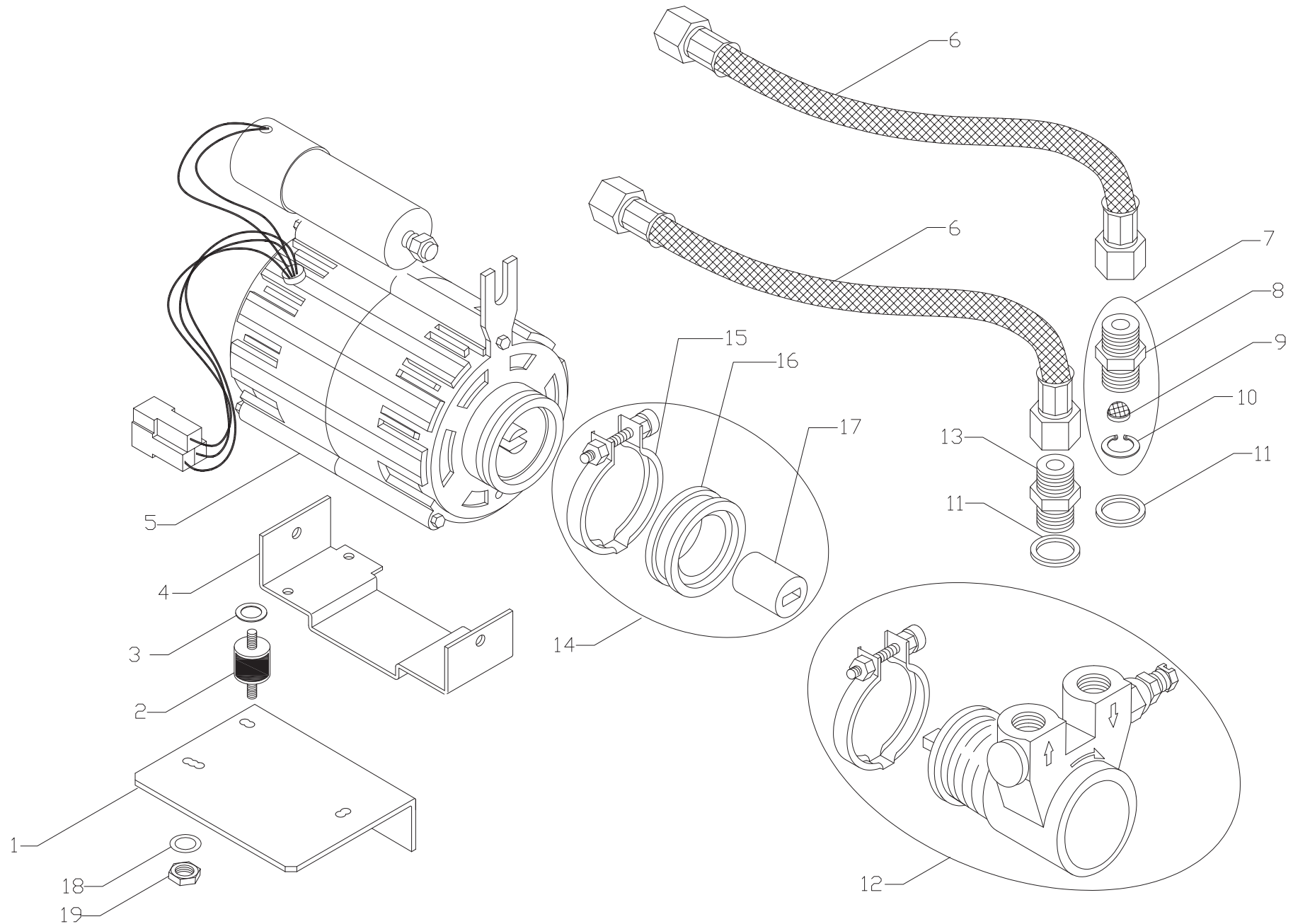


Pos.	Cod	Denominazione - IT -	Denomination - GB -	Denomination - FR -	Denomination - DE -	Denumire - RO -
1	18359100	PULSANTIERA CAPACITIVA 4T INTEA x TC	TOUCH PAD 4T INTEAxTC	CLAVIER A TOUCHES 4T INTEAxTC	DRUCKKNOPFTAFEL 4T INTEAxTC	PULSATIERA 4T x TC
2	15486016	TAPPO TERMINALE x TC	END CAP x TC	EMBOUT x TC	DECKEL x TC	CAPAC TERMINAL x TC
3	18088000	CENTR. BASE 1-2GR 230V INTEA x TC	CONTROL UNIT 1-2 GR 230V	CENTR. 1-2 GR 230V	EINHEIT 1-2 GR 230V	PROCESOR 1-2 GR 230V
3	18088001	CENTR. BASE 3-4GR 230V INTEA x TC	CONTROL UNIT 3-4 GR 230V	CENTR. 3-4 GR 230V	EINHEIT 3-4 GR 230V	PROCESOR 3-4 GR 230V
4	22628100	CAVO PULSANTIERA CAP.xTC 8 POLI 50CM	50 CM CONNECTOR FOR P.BUTTON PANEL	CABLEAGE CLAVIER 50 CM	KABEL BEDIENBL 50 CM	CABLU PT. PULSAT. 50 CM
5	22628101	CAVO PULSANTIERA CAP.xTC 8 POLI 70CM	70 CM CONNECTOR FOR P.BUTTON PANEL	CABLEAGE CLAVIER 70 CM	KABEL BEDIENBL 70 CM	CABLU PT. PULSAT. 70 CM
6	22874000	CABL.SAE/1 MONTELxTC	SAE/1 CABLE MONTELxTC	CABLEAGE SAE/1 MONTELxTC	KABEL SAE/1 MONTELxTC	CABLU SAE/1
6	22874001	CABL.SAE/2 MONTELxTC	SAE/2 CABLE MONTELxTC	CABLEAGE SAE/2 MONTELxTC	KABEL SAE/2 MONTELxTC	CABLU SAE/2
6	22874002	CABL.SAE/3 MONTEL Xtc	SAE/3 CABLE MONTELxTC	CABLEAGE SAE/3 MONTELxTC	KABEL SAE/3 MONTELxTC	CABLU SAE/3
7	22629006	CAVO SONDA SCALDATAZZE MONT.xTC 55CM	CABLE PROBE MONTELxTC 55CM	CABLE SONDE MONTELxTC 55CM	KABEL SONDE MONTELxTC 55CM	CABLU MONTELxTC 55CM
8	20306000	SONDA NTC K100 ES 13SCTE SB	PROBE NTC K100 ES 13	SONDE NTC K100 ES 13	SONDE NTC K100 ES 13	SONDA NTC K100 ES 13SCTE
9	25338000	BLOCCH.SONDA NTC SCTE SB	PROBE BLOCK NTC	BLOC SONDE NTC	SONDE ANSCHLAG NTC	BLOCAJ PT.SONDA NTC SCTE SB
10	77583100	STAFFA BLOCCH.SONDA SCTE SB/VE	BLOCK BRACKET	ETRIER BLOC	ANSCHLAG BUGEL	CLAMA DE FIXARE PT.SONDA
11	23564014	VITE TCEI M3x4 A2 UNI 5931	STEEL SCREW TE M3x4 A2	VIS INOX TE M3x4 A2	STAHLSCHRAUBE TE M3x4 A2	SURUB DIN INOX TCEI M3x4



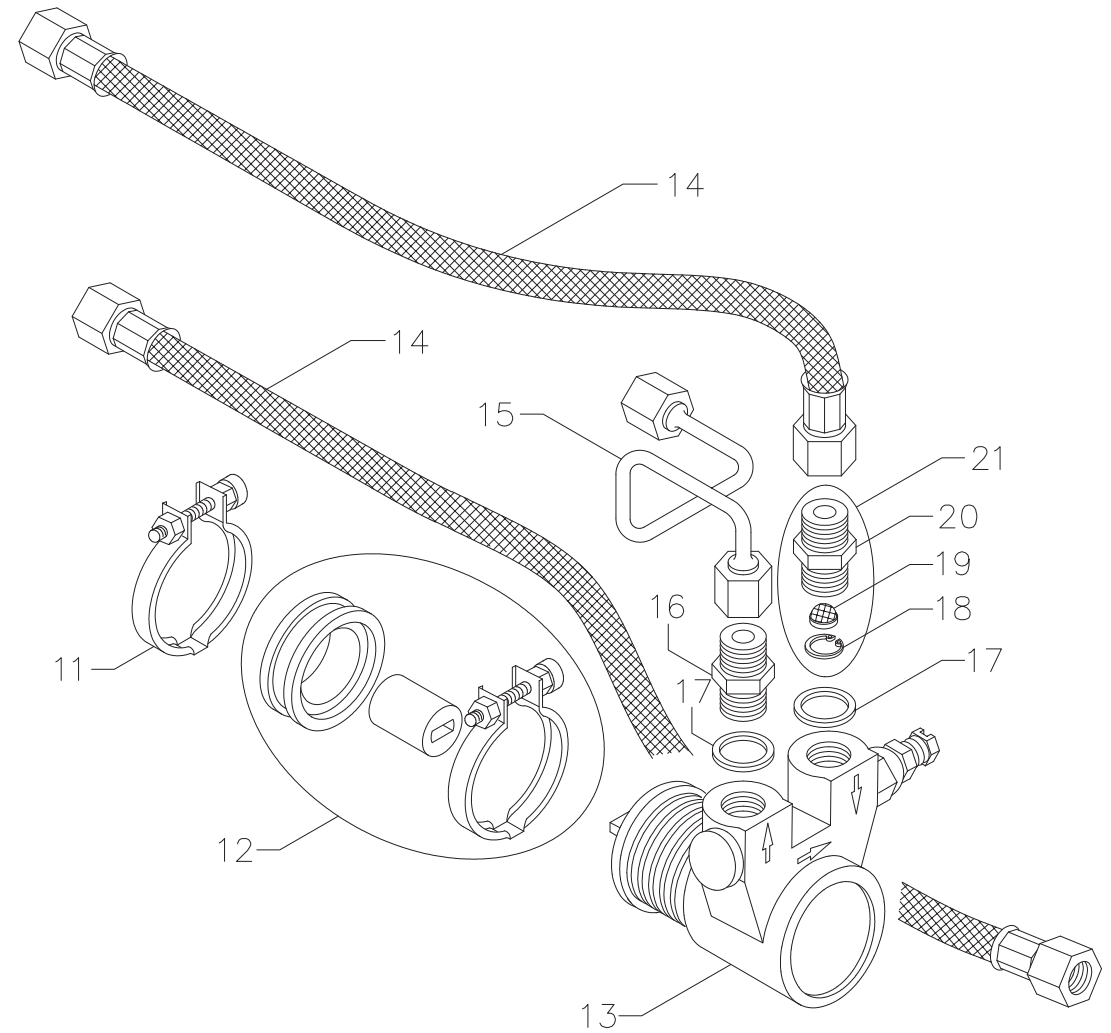
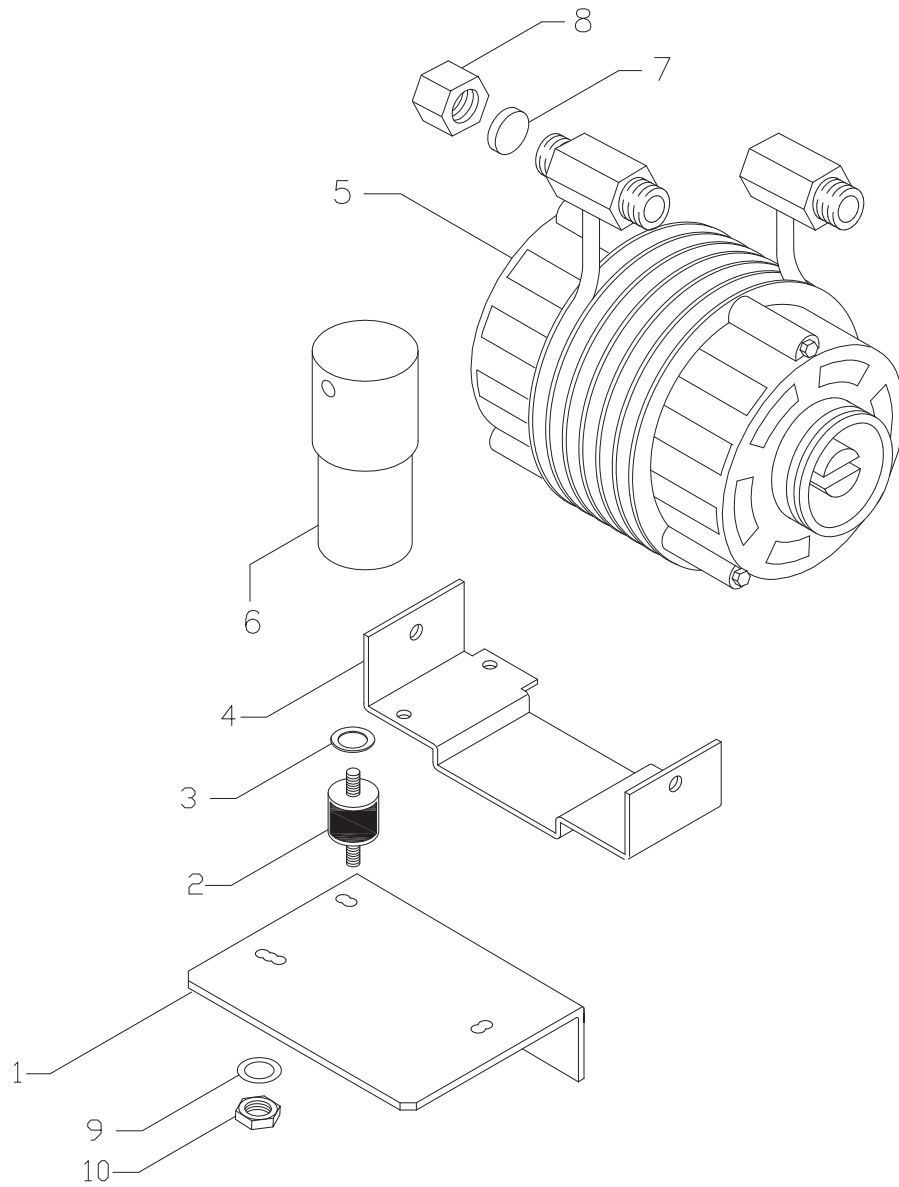
Pos.	Cod	Denominazione - IT -	Denomination - GB -	Denomination - FR -	Denomination - DE -	Denumire - RO -
1	18088012	MODULO DISPLAY INTEAxTC	DISPLAY INTEAxTC	DISPLAY INTEAxTC	DISPLAY INTEAxTC	DISPLAYxTC
2	18088002	CENTR.VERS.DISPLAY 1-2GR 230V INTEAxTC	CONTROL UNIT DISPLAY 1-2 GR 230V	CENTR. DISPLAY 1-2 GR 230V	EINHEIT DISPLAY 1-2 GR 230V	PROCESOR DISPLAY 1-2 GR 230V
2	18088003	CENTR.VERS.DISPLAY 3-4GR 230V INTEAxTC	CONTROL UNIT DISPLAY 3-4 GR 230V	CENTR. DISPLAY 3-4 GR 230V	EINHEIT DISPLAY 3-4 GR 230V	PROCESOR DISPLAY 3-4 GR 230V
3	20306	TERMOSTATO SONDA NTC ES 13	THERMOSTAT NTC ES 13	THERMOSTAT NTC ES 13	TERMOSTAT NTC ES 13	TERMOSTAT NTC ES 13
4*	25749000	RID.1/4M GAS - 1/8F GAS Ni	REDUCTION GEAR 1/4M GAS - 1/8F GAS Ni	REDUCTEUR 1/4M GAS - 1/8F GAS Ni	MINDERER 1/4M GAS - 1/8F GAS Ni	RED.1/4M GAS - 1/8F GAS Ni
4	25749001	RID.3/8M GAS - 1/8F GAS Ni	REDUCTION GEAR 3/8M GAS - 1/8F GAS Ni	REDUCTEUR 3/8M GAS - 1/8F GAS Ni	MINDERER 3/8M GAS - 1/8F GAS Ni	RED.3/8M GAS - 1/8F GAS Ni
5	20299005	TELERUTTORE ABB A9-40-00 25A 230/240V	RELAY SWITCH 230/240V	TELERUPTEUR 230/240V	CONTROL SWITCH 230/240V	RELEU 230/240V
6	22874003	CABL.SAE/1 DISPLAY MONTEL x TC	SAE/1 CABLE DISPLAY MONTELxTC	CABLEAGE SAE/1 DISPLAY MONTELxTC	KABEL SAE/1 DISPLAY MONTELxTC	CABLU PT.SAE/1 DISPLAY MONT.xTC
6	22874004	CABL.SAE/2 DISPLAY MONTEL x TC	SAE/2 CABLE DISPLAY MONTELxTC	CABLEAGE SAE/2 DISPLAY MONTELxTC	KABEL SAE/2 DISPLAY MONTELxTC	CABLU PT.SAE/2 DISPLAY MONT.xTC
6	22874005	CABL.SAE/3 DISPLAY MONTEL x TC	SAE/3 CABLE DISPLAY MONTELxTC	CABLEAGE SAE/3 DISPLAY MONTEL xTC	KABEL SAE/3 DISPLAY MONTELxTC	CABLU PT.SAE/3 DISPLAY MONT.xTC
7	22629007	CAVO SONDA TEMP.CALDAIA MONTEL x TC	CABLE PROBE BOILER MONTELxTC	CABLEAGE SONDE CHAUDIERE MONTELxTC	KABEL SONDE KESSEL MONTELxTC	CABLU PT.SONDA DE TEMP.CAZAN
8	22629008	CABL.ALIMENTAZIONE 1-2GR.DISPLAY x TC	CABLE SUPPLY DISPLAYxTC 1-2GR	CABLE ALIMENTATION 1-2GR DISPLAYxTC	KABEL VERSORGUNG 1-2GR DISPLAYxTC	CABLU PT.ALIMENTARE-DISPLAY 1-2GR
8	22629009	CABL.ALIMENTAZIONE 3GR.DISPLAY x TC	CABLE SUPPLY DISPLAYxTC 3GR	CABLE ALIMENTATION 3GR DISPLAYxTC	KABEL VERSORGUNG 3GR DISPLAYxTC	CABLU PT.ALIMENTARE-DISPLAY 3GR
9	22628100	CAVO PULASNTIERA CAP.xTC 8 POLI 50CM	50CM CONNECTOR FOR P.BUTTON PANEL	CABLEAGE CLAVIER 50 CM	KABEL BEDIENBL 50 CM	CABLU PT.PULSATIERA 50 CM
10	22628101	CAVO PULASNTIERA CAP.xTC 8 POLI 70CM	70CM CONNECTOR FOR P.BUTTON PANEL	CABLEAGE CLAVIER 70 CM	KABEL BEDIENBL 70 CM	CABLU PT.PULSATIERA 70 CM
11	12151	GUARNIZIONE CU DOSATORE 13x10.2x1.5	CU GASKET FOR SALE DOSER 13x10.2x1.5	JOINT CU DE DOSEUR SAE 13x10.2x1.5	CU DICHTUNG FUR SAE DOS. 13x10.2x1.5	GARNITURA 13x10.2x1.5
12	12153	GUARNIZIONE CU 1/4 17x13.3x1.5	1/4 17x13.3x1.5 COPPER SEAL	JOINT CUIVRE 1/4 17x13.3x1.5	KUPFERDICHTUNG 1/4 17x13.3x1.5	GARNITURA 1/4 17x13.3x1.5

4* 25749000 sost. da 25749003 (08.02.2012)



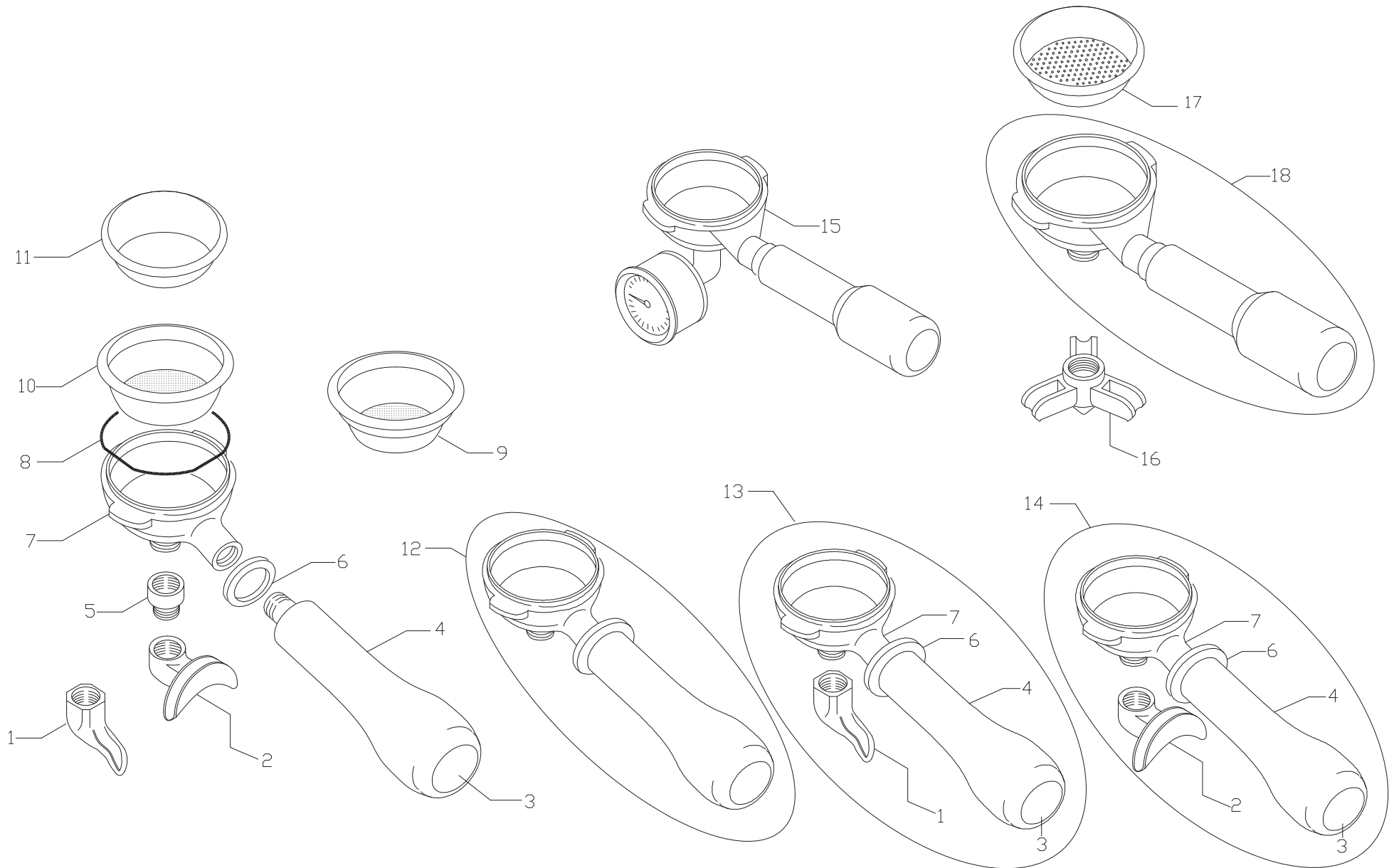
Pos.	Cod	Denominazione - IT -	Denomination - GB -	Denomination - FR -	Denomination - DE -	Denumire - RO -
1	78167017	SUPP.MOTOPOMPA INC.1>4GR TC11	MOTORPUMP BEARING INC.1>4GR TC11	SUPP.MOTEURPOMPE INC.1>4GR TC11	NORM.MOTORPUMPE-INC.1>4GR TC11	SUPPORT PT.MOTOPOMPA INC.1>4GR TC11
2	15105	GOMMA AMMORTIZ.x MOTORE RAF.H2	RUBBER FOR WATER COOLED MOTOR ZEC.	CAOUTCH.POUR MOTEUR REFROID.EAU ZEC	GUMMI x WASSERGEKHLTER MOTOR ZEC.	GARN. DIN CAUCIUC PT. AMORT.MOTOR.
3	23265	RONDELLA GREMB. INOX 4x12 UNI	INOX WASHER 4x12 UNI	RONDELLE INOX 4x12 UNI	STHAL SCHEIBE 4x12 UNI	SAIBA INOX 4x12 UNI
4	78174	SUPP.MOTORE INCORPORATO R.P.M.	MOTOR BEAR. RPM	SUPPORT MOT. RPM	EINGEBAUTER MOTORHALTER RPM	SUPPORT PT. MOTOR INCORPORAT
5	18303	MOTORE R.P.M. 230V 120W	MOTOR R.P.M. 230V 120W	MOTEUR R.P.M. 230V 120W	MOTOR R.P.M. 230V 120W	MOTOR R.P.M. 230V 120W
5	18303001	MOTORE R.P.M. 230V 150W	MOTOR R.P.M. 230V 150W	MOTEUR R.P.M. 230V 150W	MOTOR R.P.M. 230V 150W	MOTOR R.P.M. 230V 150W
6	30404	TUBOFLEX 3/8 FF P.GOMMA L45 Ni	3/8 FEMALE L45 FLEX PIPE CONICAL HOSE	TUYAU FLEX 3/8 FF L45 PORTE-TUYAU	SCHLAUCH 3/8 AUFNAHMETR L45 GUMMI K	TUB FLEX.DIN CAUCIUC 3/8 FF ,L45
7	56116	RACC.3/8+3/8 MOTOPOMPA ASSIEME	CONNECTOR 3/8+3/8 PUMP ASSEMBLY	RACCORD 3/8 + 3/8 ENS. MOTOPOMPE	ANSCHLUSS 3/8 + 3/8 MOTORP.ZUSAMMEN	RACORD PT.MOTOPOMPA ASAMBL. 3/8+3/8
8	25732	RACC.3/8x3/8+SEDE FILTRO	3/8x3/8 FITTING + FILTER HOUSING	RACCORD 3/8x3/8 + LOG. FILTRE	ANSCHLUSS 3/8x3/8 + FILTERSITZ	RACORD 3/8x3/8 FARA FILTRU
9	10254	FILTRO ACCIAIO 160-200 MESH(EX	STEEL FILTER 160-200 MESH	FILTRE EN ACIER 160-200 MESH	STAHLFILTER 160-200 MESH	FILTRU DIN OTEL 160-200 MESH
10	10005	ANELLO DI ARRESTO IN.DIN472 D11	DIN472 D11 STAINLESS STEEL STOP RING	ANNEAU DE BUTEE INOX DIN472 D11	DRAHTSPRENGRING ROSTFREI DIN472 D11	INEL DIN INOX DE OPRIRE DIN472 D11
11	12154	GU CU 3/8 22x17x1.5	3/8 22x17x1.5 COPPER SEAL	JOINT CUIVRE 3/8 22x17x1.5	KUPFERDICHTUNG 3/8 22x17x1.5	GARNITURA DIN CUPRU 3/8 22x17x1.5
12*	26303001	POMPA FLUID-0-TECH PA 104 NFS 3/8G	PUMP FLUID-0-TECH PO 104 NSF 3/8G	POMPE FLUID-0-TECH PO104 NFS 3/8G	PUMPE FLUID-0-TECH PO 104 NFS 3/8G	POMPA FLUID-0-TECH PA 104 NFS 3/8G
12	25687	RACCORDO 3/8X3/8 GAS	3/8x3/8 GAS FITTING	RACCORD 3/8x3/8 GAZ	ANSCHLUSS 3/8x3/8 GAS	RACORD 3/8X3/8 GAS
14	83260016R	KIT DISACOPPIAMENTO MOTORE-POMPA	KIT COUPLING MOTOR-PUMP	ENSEMBLE DECOUPLAGE MOTEUR POMPE	KIT MOTOR-PUMPE KUPPLUNG	KIT PT.DESPARTIRE MOTOR - POMPA
15	26310003	FASCETTA GIUNZIONE POMPA MOTORE	CLAMP MOTOR-PUMP	BANDE MOTEUR-POMPE	SCHELLE MOTOR-PUMPE	BANDA PT.LEGAREA POMPEI LA MOT.
16	15006010	DISTANZIALE POMPA MOTORE RPM	SPACING BAR RPM MOTOR PUMP	ENTRETOISE POMPE	DISTANZSTUECK MOTOR-PUMPE	DISTANTATOR DINTRE MOTOR-POMPA
17	15006011	GIUNTO POMPA MOTORE RPM	RPM MOTOR PUMP JOINT	JOINT DE POMPE	KUPPLUNG PUMPE-MOTOR	LEGATURA DINTRE MOTOR-POMPA
18	23261	RONDELLA INOX DENTELLATA D4	INOX WASHER D4	RONDELLE INOX D4	STHAL SCHEIBE D4	SAIBA ZIMTATA D4
19	23030	DADO INOX M4 UNI 5587	NUT S.STEEL M4 UNI 5587	ECROU INOX M4 UNI 5587 A2	SCHRAUBENMUTTER INOX M4 UNI 5587 A2	PIULITA DIN INOX M4 UNI 5587 A2

12* 26303001 sost. da 426303001 (28.04.2014)



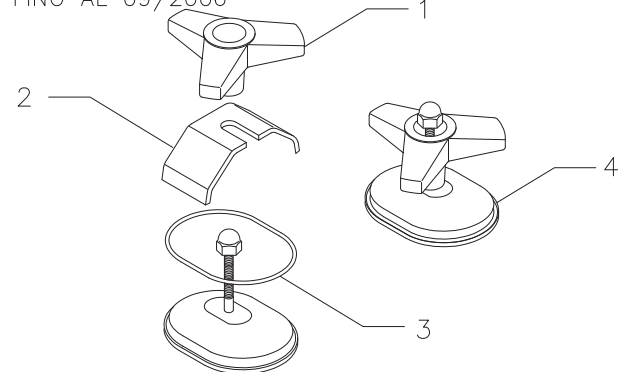
Pos.	Cod	Denominazione - IT -	Denomination - GB -	Denomination - FR -	Denomination - DE -	Denumire - RO -
1	78167017	SUPP.MOTOPOMPA INC.1>4GR TC11	MOTORPUMP BEARING INC.1>4GR TC11	SUPP.MOTEURPOMPE INC.1>4GR TC11	NORM.MOTORPUMPE-INC.1>4GR TC11	SUPORT PT.MOTOPOMPA INC.1>4GR TC11
2	15105	GOMMA AMMORTIZ.x MOTORE RAF.H2	RUBBER FOR WATER COOLED MOTOR ZEC.	CAOUTCH.POUR MOTEUR REFROID.EAU ZEC	GUMMI x WASSERGEKHLTER MOTOR ZEC.	GARN. DIN CAUCIUC PT. AMORT.MOTOR.
3	23265	RONDELLA GREMB. INOX 4x12 UNI	INOX WASHER 4x12 UNI	RONDELLE INOX 4x12 UNI	STHAL SCHEIBE 4x12 UNI	SAIBA INOX 4x12 UNI
4	78174	SUPP.MOTORE INCORPORATO R.P.M.	MOTOR BEAR. RPM	SUPPORT MOT. RPM	EINGEBAUTER MOTORHALTER RPM	SUPORT PT. MOTOR INCORPORAT
5	56406	MOTORE RPM NI 230V 50/60HZ H2O ASS	MOTOR RPM 230V 50/60HZ H2O	MOTEUR RPM 230V 50/60HZ H2O	MOTOR RPM 230V 50/60HZ H2O	MOTOR RPM 230V 50/60HZ H2O
6	19062001	CONDENSATORE MOTORE 230V 7UF	MOTOR CAPACITOR 230V 7UF	CONDENSATEUR MOTEUR 230V 7UF	KONDENSATOR MOTOR 230V 7UF	CONDENSATOR MOTOR 230V 7UF
7	12007	GUARNIZIONE KLINGERSIL4400	KLINGERSIL4400 SEAL JOINT	KLINGERSIL4400 POUR BOUCHON	DICHTUNG KLINGER SIL4400 X DECKEL	GARNITURA KLINGERSIL 4400
8	25782	TAPPO FEMMINA 1/4 GAS	1/4 GAS FEMALE TAP	BOUCHON FEMELLE 1/4 GAZ	INNENANSCHLUSSSTÖPSEL 1/4 GAS	DOP FEMEIE 1/4 GAZ
9	23261	RONDELLA INOX DENTELLATA D4	INOX WASHER D4	RONDELLE INOX D4	STHAL SCHEIBE D4	SAIBA ZIMTATA D4
10	23030	DADO INOX M4 UNI 5587	NUT S.STEEL M4 UNI 5587	ECROU INOX M4 UNI 5587 A2	SCHRAUBENMUTTER INOX M4 UNI 5587 A2	PIULITA DIN INOX M4 UNI 5587 A2
11	26310003	FASCETTA GIUNZIONE MOTORE-POMPA	CLAMP MOTOR-PUMP	BANDE MOTEUR-POMPE	SHELLE MOTOR-PUMPE	BANDA PT. LEGAREA POMPEI LA MOT.
12	83260016	KIT DISACCOPPIAMENTO MOTORE POMPA	KIT COUPLING MOTOR-PUMP	ENSEMBLE DECOUPLAGE MOTEUR POMPE	KIT MOTOR-PUMPE KUPPLUNG	KIT PT. DESPARTIRE MOTOR-POMPA
13	26303	POMPA FLUID-0-TECH PO 204 BY PASS	PO 204 BY PASS PUMP ETL	POMPE PO 204 BY PASS ETL	PUMPE PO 204 BY PASS ETL	POMPA FLUID-0-TECH PO 204 BY PASS
14	30404	TUBOFLEX 3/8FF P.GOMMA CON. L45 NI	3/8FEMALE L45 FLEX PIPE CONICAL HOSE	TUYAU FLEX 3/8 FF L45 PORTE-TUYAU	SCHLAUCH 3/8 AUFNAHMETÜR L45 GUMMI	TUB FLEX.DIN CAUCIUC 3/8 FF L45
15	52002814	TBS.D-6 L.200 1-4GR W 109 POMPA	TUBE D-6 L.225 1-4GR W 109	TUYAU D-6 L.225 1-4GR W 109	ROHR D-6 L.225 1-4GR W 109	TUB D-6 L.200 1-4GR W109 POMPA
16	25687	RACCORDO 3/8X3/8 GAS	3/8X3/8 GAS FITTING	RACCORD 3/8X3/8 GAZ	ANSCHLUSS 3/8X3/8 GAS	RACORD 3/8X3/8 GAZ
17	12154	GUARNIZIONE CU 3/8 22X17X1.5	GASKET, COPPER 3/8 22X17X1,5	JOINT CUIVRE 3/8 22X17X1.5	KUPFERDICHTUNG 3/8 22X17X1.5	GARNITURA 3/8 22X17X1.5
18	10005	ANELLO DI ARRESTO INOX DIN472 D11	DIN472 D11 STAINLESS STEEL STOP RING	ANNEAU DE BUTEE INOX DIN472 D11	DRAHTSPRENGRING ROSTFREI DIN472 D11	INEL DIN INOX DE OPRIRE DIN 472 D11
19	10254	FILTRO ACCIAIO 160-200 MESH	STEEL FILTER 160-200 MESH	FILTRE EN ACIER 160-200 MESH	STAHLFILTER 160-200 MESH	FILTRU DIN OTEL 160-200 MESH
20	25732	RACCORDO 3/8X3/8 + SEDE FILTRO	3/8X3/8 FITTING + FILTER HOUSING	RACCORD 3/8X3/8 + LOG. FILTRE	ANSCHLUSS 3/8X3/8 + FILTERSITZ	RACORD 3/8X3/8 FARA FILTRU
21	56116	RACCORDO 3/8+3/8 MOTOPOMPA ASSIEME	CONNECTOR 3/8+3/8 PUMP ASSEMBLY	RACCORD 3/8 + 3/8 ENS. MOTOPOMPE	ANSCHLUSS 3/8 + 3/8 MOTORP.ZUSAMMEN	RACORD PT. MOTOPOMPA ASAMBL. 3/8+3/8

13* 26303 sost. da 426303 (05.05.2014)

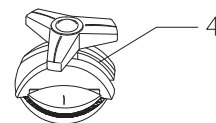


Pos.	Cod	Denominazione - IT -	Denomination - GB -	Denomination - FR -	Denomination - DE -	Denumire - RO -
1	27032001	BECCUCCIO OTT/NI 1 TAZZA "CMA 01"	BRASS SPOUT/NI 1 LONG CUP	BEC LAITON/NICKELE 1 TASSE LONG	AUSGUSS MESSING/NICKEL 1 TASSE LANG	CIOC DIN ALAMA PT.0 CEASCA"CMA 01"
2	27042001	BECCUCCIO OTT/NI 2 TAZZE "CMA 01"	2 CUPS BRASS/NICKEL SPOUT	BEC 2 TASSES LAITON/NICKEL	MESSING/NICK. SCHNABEL FR 2 TASSEN	CIOC DIN ALAMA PT.2 CESTI"CMA 01"
3	15486006	TAPPO MANOP.PORTAFILTRO CMA*01*CROMA	CAP FILTER HOLDER KNOB	BOUCHON POIGNEE PORTE-FILTRE	GRIFFVERSCHLUSS FILTERHALTER	DOP MANER PORTAFILTRU"CMA 01"CROMA
4	15263010	MANOP.PORTAFILTRO"CMA01"NERA+INSERTO	FILTER HOLDER KNOB	POIGNEE PORTE-FILTRE	FILTERHALTER GRIFF	MANER PORTAFILTRU "CMA 01" NEGRU
5	27060201	PROLUNGA BECC. 1/2 TAZZE *99*	EXTENSION SPOUT	PROLONGE BEC	VERLANGERUNG	PRELUNGIRE CIOC CURGERE 1/2 TAZZE *
6	15296010	GHIERA ANTISCOTTATURA MANOP.CMA"04"	ANTI-SCORCH PLASTIC RING	RONDELLE ANTI-BRULURE POUR POIGNEE	RING FUER SIEBTRAEGER	INEL PLASTIC PT.MANER IMPOT.ARDERII
7	27311	PORTAFILTRO CMA'01 LAV+CROM	FILTER-HOLDER	PORTE-FILTRE	FILTERHALTER CHROM	PORTAFIL.CMA'01LAV+CROM(FARA MANER)
8	27254	MOLLA FERMAFILTRO D-1,4	FILTER CLAMP SPRING D-1,4	RESSORT BLOCAGE-FILTRE D-1,4	FILTERHALTEFEDER D-1,4	ARC PT. PORTAFILTRU
9	27142	FILTRO INOX 1 TAZZE E/61+CAN. P.1,5	E/61 1 CUP S.STEEL FILTER H24+DUCT	FILTRE IN.1 TASSE E/61 H24+RIGOLE	EDELSTAHL-FILT.1 TASSE E/61 H24+FUE	FILTRU IN.PT.0 CESACA E/61+CAN.P1,5
10	27171	FILTRO INOX 2 TAZZE E/61+CAN. P.1,5	E/61 2 CUP S.STEEL FILTER H24,5+DUC	FILTRE IN.2 TASSES E/61 H24,5+RIGOLI	EDELSTAHL-FILT.2 TASSEN E/61 H24,5	FILTRU IN.PT.2 CESTI E/61+CAN.P1,5
11	27173	FILTRO INOX 2 TAZZE CIECO	2 CUP STAINLESS STEEL BLIND FILTER	FILTRE INOX 2 TASSES AVEUGLE	GESCHLOSSENER FILTER 2 TASSEN	FILTRU DIN INOX PT.2 CESTI ORB
12	27311000	PORTAFILTRO "CMA 01"LAV+CROM+MANOPOLA	FILTER HOLDER UNIT	ENSEMBLE PORTE-FILTRE	FILTERHALTER SATZ	PORTAFILTRU CU MANER CROMAT"CMA 01"
13	27311050	PORTAFILTRO CMA 1 TAZZA	ONE CUP-FILTERHOLDER+SINGLE SPOUT	PORTE-FILTRE 1 TASSE	SIEBTRAGER+AUSLAUF 1 TASSE	PORTAFILTRU CMA PT. 1 CEASCA
14	27311051	PORTAFILTRO CMA 2 TAZZA	TWO CUPS-FILTERHOLDER+DOUBLE SPOUT	PORTE-FILTRE 2 TASSES	SIEBTRAGER+AUSLAUF 2 TASSEN	PORTAFILTRU CMA PT. 2 CESTI
15	56009901	PORTAFILTRO 27203 MODxPROVE FILTRI	FILT.HOLDER MOD.FOR SEMIAUTO MACH.	PORTE-FILTRE AVEC MANOMETRE	FILTERHALTER FUER FILTERPROBE	PORTAFILTRU PT. PROBE CU MANOMETRU
16	27050	BECCUCCIO OTT/NI 3 TAZZE CORTO	BRASS SPOUT /NI 3 SHORT CUPS	BEC LAITON/NICKELE 3 TASSES COU	AUSGUSS OTT/NI 3 TASSEN KURZ	CIOC DIN ALAMA PT.0 CEASCA
17	27190	FILTRO INOX 3 TAZZE 304/28	3 CUP STAINLESS STEEL FILTER 304/28	FILTRE INOX 3 TASSES 304/28	ROSTFREIER FILTER 3 TASSEN 304/28	FILTRU IN.PT. 3 CESTI
18	27304	PORTAFILTRO	FILTER SUPPORT	PORTE-FILTRE	FILTERHALTERUNG	PORTAFILTRU

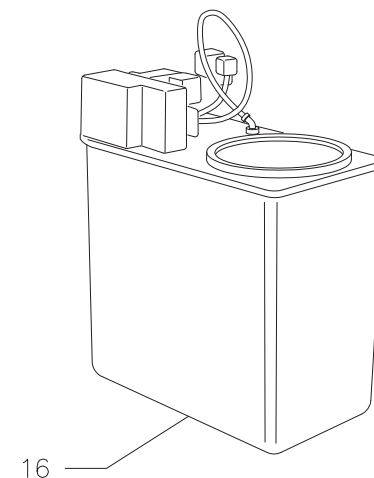
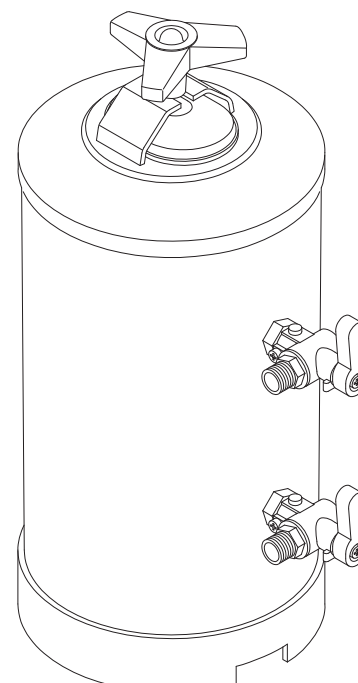
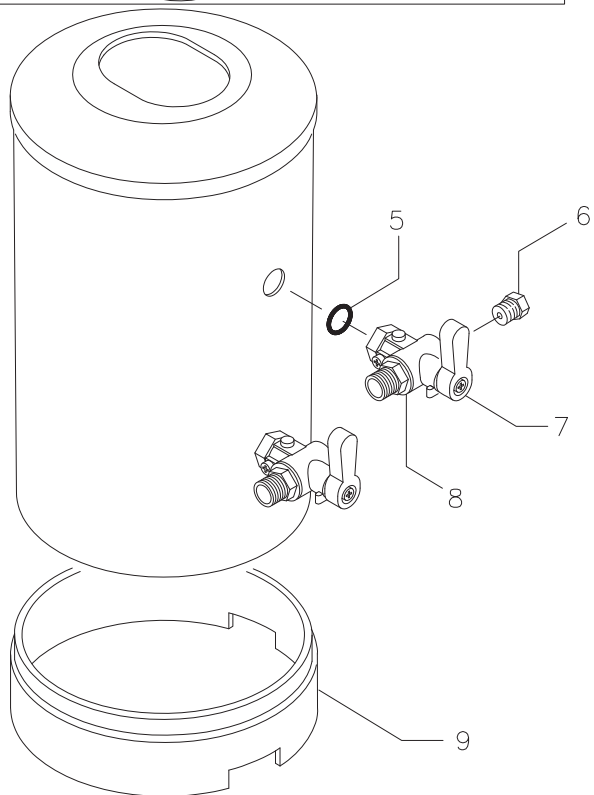
FINO AL 09/2006



INIZIO DAL 09/2006

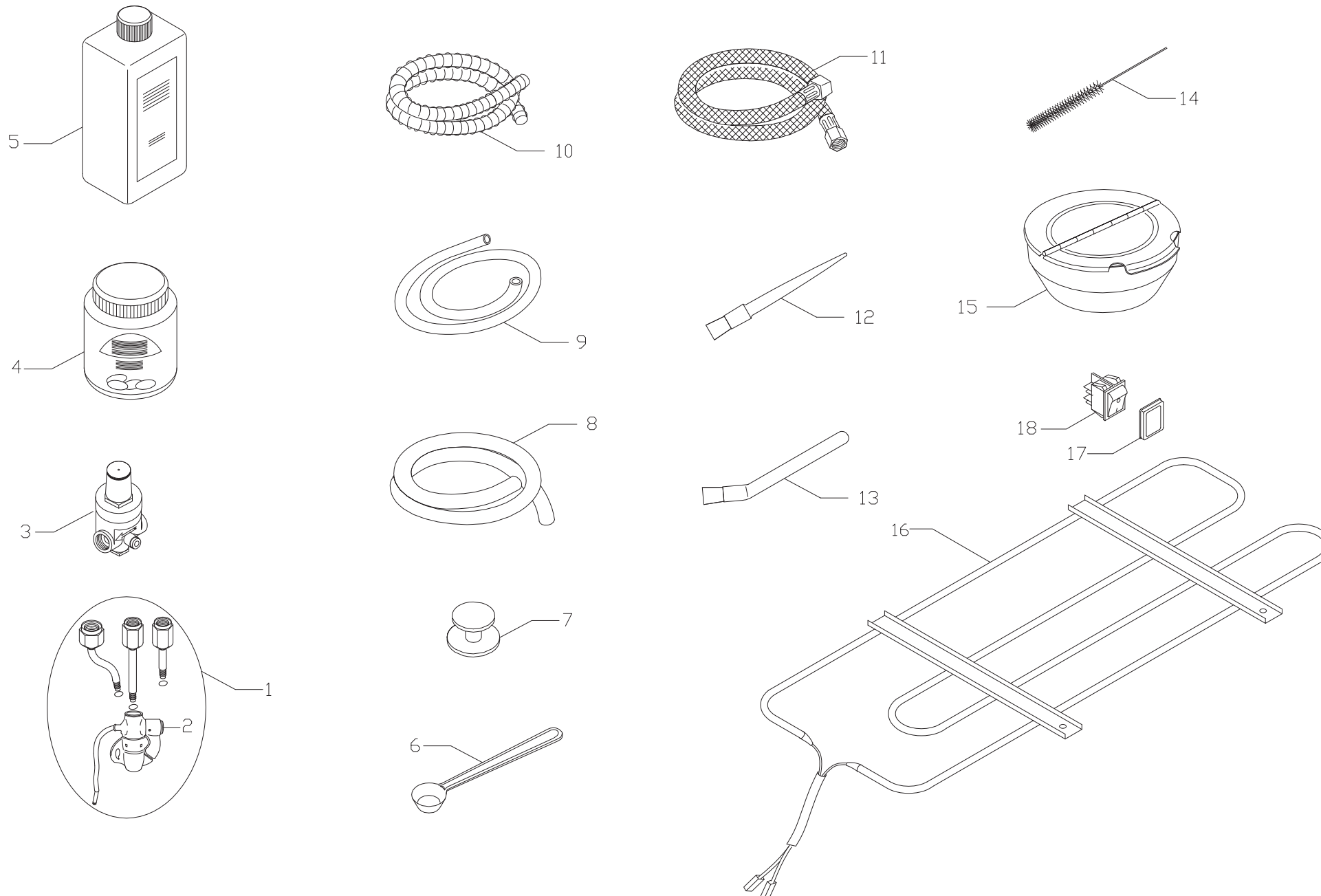


AUTOMATICO - AUTOMATIC
AUTOMATIQUE - AUTOMATISCHE



11	5 LT
12	8 LT
13	12 LT
14	16 LT
15	20 LT

Pos.	Cod	Denominazione - IT -	Denomination - GB -	Denomination - FR	Denomination - DE -	Denumire - RO -
1	28205	MANOPOLA TAPPO ADDOLCITORE C9	SOFTENER TOP PLASTIC KNOB	POIGNEE BOUCHON ADOUCISSEUR	ENTKALKER HANDGRIFF	MANER CAPAC PT.DEPURATOR C9
2	28324000	STAFFA TAPPO ADDOLCITORE C17	BRACKET CAP FOR SOFTENER	MEULE BOUCHON ADOUCISSEUR	BUGEL ENTKALKER	SUPPORT CAPAC DEPURATOR C17
3	1241	GUARNIZIONE X TAPPO ADDOLCITORE	GASKET X WATER SOFTENER CAP	JOINT X BOUCHON ADOUCISSEUR	DICHTUNG X ENTKALKERSTOPFEN	GARNITURA X CAPAC DEPURATOR
4	28205001	TAPPO ADDOLCITORE COMPLETO C20	SOFTENER COMPLETE TOP LID	BOUCHON ADOUCISSEUR	DECKEL FUER ENTKALKER	CAPAC COMPLET PT. DEDURIZATOR C20
5	12300	GU OR 113 HNBR 70SH VERDE	O RING GASKET 113 NBR/70	JOINT OR 113 NBR/70	OR-DICHTUNG 113 NBR/70	GARNITURA 113 HNBR 70SH VERDE
6	10320500	GIGLER OT x ADD. M6 FORO D-1 R13	SOFTENER LOWER TAP GIGLEUR	GICLEUR LAITON POUR ADOU. M6 x D-1	VERMESSINGTE ENTKALKER M6 D-1	JIGLER ALAMA OT.DEDUR.M6 D-1 R13
7	28203	MANOPOLA ROSSA RUBINETTO ADDOLCIT.	RED HANDLE x WATER SOFTENER TAP	POIGNEE ROUGE x ROBINET ADOUCISSEUR	ROTER HANDGRIFF x ENTKALKERHAHN	MANER ROSU PT.DEDURIZATOR
8	28284	RUBINETTO PER ADDOLCITORE+MANOPOLA	TAP FOR SOFTENER	ROBINET POUR ADOUCISSEUR	HAHN FR ENTHRTER	ROBINET SI MANER PT.DEDURIZATOR
9	28072	FONDELLO ADDOLCITORE	SOFTENER PLASTIC LOWER BASE	CULOT ADOUCISSEUR	BODEN ENTKALKER	SUPPORT DEDURIZATOR
10	28283	SACCO RESINA PER ADDOLCITORE 25 kg.	SOFTENER RESIN 25 kg.	RESINE ADOUCISSEUR 25 kg.	KUNSTHARZ FUR ENTKALKER 25 kg.	RASINI PT. DEDURIZATOR 25 kg.
11	26029	ADDOLCITORE DVA LT 5	DVA 5 LT WATER SOFTENER LT 5	ADOUCISSEUR DVA LT 5	ENTKALKER DVA LT 5	DEDURIZATOR DVA LT 5
12	26030	ADDOLCITORE DVA LT 8	DVA 8 LT WATER SOFTENER L T8	ADOUCISSEUR DVA LT 8	ENTHRTER DVA LT 8	DEDURIZATOR DVA LT 8
13	26031	ADDOLCITORE DVA LT 12	DVA 12 LT WATER SOFTENER LT 12	ADOUCISSEUR DVA LT 12	ENTHRTER DVA LT 12	DEDURIZATOR DVA LT 12
14	26032	ADDOLCITORE DVA LT 16	DVA 16 LT WATER SOFTENER LT 16	ADOUCISSEUR DVA LT 16	ENTHRTER DVA LT 16	DEDURIZATOR DVA LT 16
15	26038011	ADDOLCITORE DVA LT 20	DVA 20 LT WATER SOFTENER LT 20	ADOUCISSEUR DVA LT 20	ENTHRTER DVA LT 20	DEDURIZATOR DVA LT 20
16	26037	ADDOLC.AUT.CABIN.LT 8 DM 01 3/8"	AUTOMATIC WATER SOFTENER LT 8	ADOUCISSEUR AUTOMATIQUE LT 8	AUTOMATISCHE ENTHARTER DVA LT 8	DEDURIZATOR AUTOMAT LT8 DM 01 3/8"



Pos.	Cod	Denominazione - IT -	Denomination - GB -	Denomination - FR -	Denomination - DE -	Denumire - RO -
1	83300012R	KIT CAPPUCCINATORE GPR STANDAR	KIT CAPPUCCINO MAKER GPR STANDAR	KIT CAPPUCCINO GPR STANDAR	KIT CAPPUCCINOGERAET	KIT CAPPUCCINO
2	30515000	CAPPUCCINATORE COMPLETO GPR 0.50.01	CAPPUCCINO MAKER COMPLETE	KIT CAPPUCCINO COMPLET	CAPPUCCINO ZUBEREITER	DISP. CAPPUCCINO COMP.GPR 0.50.01
3	26330	RIDUTTORE PRESS.STANDARD PN25 DN3/8	STANDARD PRESS. REDUCTOR PN25 DN3	REDUCTEUR PRESS.STANDARD PN25 DN3/8	DRUCKREDUZIERER STANDARD PN25 DN3/8	REDUCTOR STAND.DE PRES.PN25 DN3/8
4	08452	DETERGENTE KMR pastiglie CONF.200pz	KMR PACK OF 200 TAB	DETERG.KMR CONF.200 PASTIL	REINIGUNGSM. KMR PACK 200 TABL	DETER.KMR PT.CURAT.APARTE DE CAFEA
5	08453	DETERGENTE V7000 CONF.1Lt	DETERGENT V7000 - 1 LT. PACK	DETERGENT V7000 de 1 lt	REINIGUNGSMITTEL V7000 PACKUNG 1 L	DETER. V7000 PT.CURAT.KIT DE CAPP.
6	15290	MISURINO IN PLASTICA gr.7	7 gr PLASTIC MEASURE	MESURE EN PLASTIQUE 7 gr.	PLASTIKMESSBECHER gr.7	DOZA DE CAFEA NECES.PT 1CAFEA-7gr.
7	15420	PRESSINO CAFFE'	COFFEE PRESS	PRESSE CAFE	EINDRCKVORRICHTUNG	PRESATOR CAFEA DIN PLASTIC
8	15458	TUBO RETINATO CRISTALLINO 16x10	TUBE 16x10	TUYAU 16x10	ROHR 16x10	FURTUN 16x10
9	15476	TUBO SILICONE 5x8 KGxMt 0.044	5x8 SILICONE PIPE	TUYAU SILICONE 5x8 KGxMt 0.04	SILIKONROHR 5x8 KGxMt 0.044	FURTUN DIN SILICON 5x8 KGxMt 0.044
10	15470001	TUBO CAVOFLEX D16 SCARICO	D16 CAVOFLEX DRAIN PIPE	TUYAU CAVOFLEX D16 SCARICO	ABFLUSSROHR CAVOFLEX D16	FURTUN FLEXIBIL PT. SCURGERE D16
11	30401	TUBOFLEX 1/4FF P.GOMMA CON. L28 Ni	1/4 FEMALE L28 FLEX PIPE CONIC.HOSE	TUYAU FLEX 1/4 FF L28 PORTE-TUYAU	SCHLAUCH 1/4 AUFNAHMETR L28 GUM.KONI	FURTUN DIN CAUCIUC 1/4FF, L28NI
11	30403	TUBOFLEX 3/8FF P.GOMMA CON. L33 Ni	3/8 FEMALE L33 FLEX PIPE CONIC.HOSE	TUYAU FLEX 3/8 FF L33 PORTE-TUYAU	SCHLAUCH 3/8 AUFNAHMETR L33 GUM.KONI	FURTUN DIN CAUCIUC 3/8, L33 NI
11	30404	TUBOFLEX 3/8 FF P.GOMMA CON. L45 Ni	3/8 FEMALE L45 FLEX PIPE CONIC.HOSE	TUYAU FLEX 3/8 FF L45 PORTE-TUYAU	SCHLAUCH 3/8 AUFNAHMETR L45 GUM.KONI	FURTUN DIN CAUCIUC 3/8 , L45 NI
11	30407	TUBOFLEX 3/8FF P.GOMMA CON. L100 Ni	3/8 FEMALE L100 FLEX PIPE CONIC.HOSE	TUYAU FLEX 3/8 FF L100 PORTE-TUYAU	SCHLAUCH 3/8 AUFNAHMETR L100 GUM.KONI	FURTUN DIN CAUCIUC 3/8 , L100 NI
11	30408	TUBOFLEX 3/8FF P.GOMMA CON. L150 Ni	3/8 FEMALE L150 FLEX PIPE CONIC.HOSE	TUYAU FLEX 3/8 FF L150 PORTE-TUYAU	SCHLAUCH 3/8 AUFNAHMETR L150 GUM.KONI	FURTUN DIN CAUCIUC 3/8 , L150 NI
12	08340	PENNELLO MANICO ROSSO	CAPPUCCINO MAKER COMPLETE	KIT CAPPUCCINO COMPLET	CAPPUCCINO ZUBEREITER	PERIE CU MANER ROSU
13	15426	SPAZZOLINO NERO SETOLE NYLON CORTE	SHORT BLACK NYLON BRISTLE BRUSH	PETITE BROSSE NOIR AVEC POILS NYLON	KURZE, SCHWARZE NYLONBUERSTE	PERIE NEAGRA CU PERI DIN NAYLON SC
14	15426001	SCOVOLINO INTERDENTALE L MAN.ROSSO	MANUAL TUBE BRUSH L RED M	ECOUVILLON L MANUEL ROUGE M	REINIGUNGSBUERSTE MANUELL ROT	PERIUTA PT.CURATA ROSIE
15	30300	ZUCCHERIERA INOX	STAINLESS STEEL SUGAR-BOWL	SUCRIER INOX	ZUCKERDOSE ROSTFREI	ZAHARNITA INOX
16	17022	RES.2GR 230V 200W SCTE	HEATING ELEMENT 2GR 230V 200W	RESISTANCE 2GR 230V 200W	WIDERSTAND 2GR 230V 200W	REZ.EL.PT.SIST.DE INCALZ.CESTI 2GR
16	17023	RES.3GR 230V 250W SCTE	HEATING ELEMENT 3GR 230V 250W	RESISTANCE 3GR 230V 250W	WIDERSTAND 3GR 230V 250	REZ.EL.PT.SIST.DE INCALZ.CESTI 3GR
17	19049	COPERTURA INTERR.MOLVENO B4PRT1	SWITCH COVER	PROTECTION INTERRUPTEUR	SCHALTER ABD.	PROTECTIE INTRERUP.MOLVENO B4PRT1
18	18263	INT.BIP.NERO LED LUMIN.ROSSO	BIP. LUMIN. BLACK SWITCH	INTER.BIP.LUMIN. NOIR	ZWEIP.SCHALTER M. SCHWARZ LEUCHTE	INTRERUP.BIPOLAR NEGRU CU LED ROSU