

TAV. 016

ARMADIO 1400 Lt.
 SERIE ZEUS
 Mod.
 D140DNB2

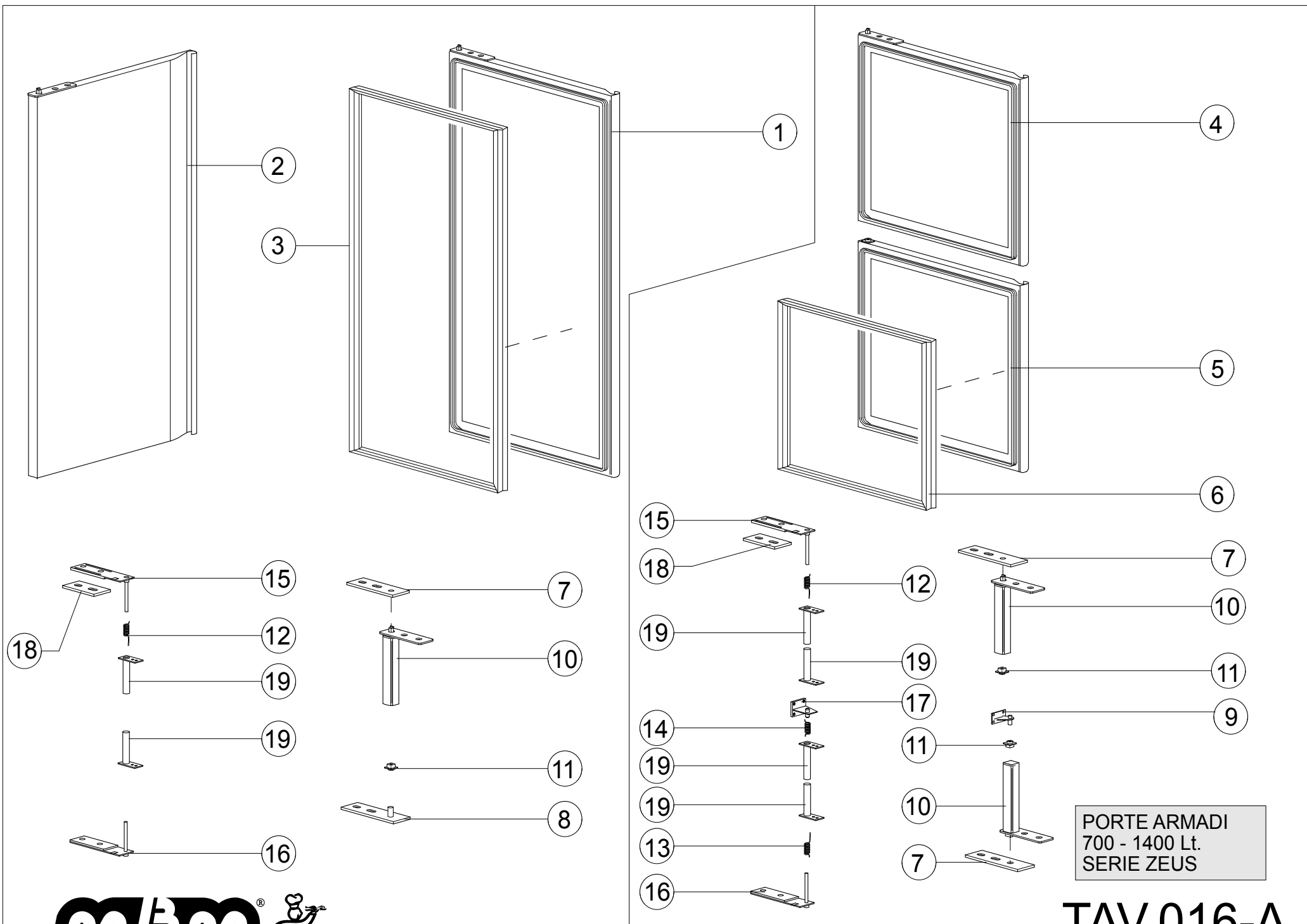


TAV.015

MODELLO MODEL MODELL MODELE	POS.	CODICE CODE KODE CODE	DESCRIZIONE	DESCRIPTION	BESCHREIBUNG	DESCRIPTION
--------------------------------------	------	--------------------------	-------------	-------------	--------------	-------------

D140DNB2	1	022289-00	ANIMA PER PROFILO DA 739 MM	FRAME S.STEEL STRIP	S. STAHLBAND F. RAHMEN	ÂME EN ACIER INOXYDABLE POUR PROFIL
D140DNB2	2	022290-00	ANIMA PER PROFILO DA 1599 MM	FRAME S.STEEL STRIP	S. STAHLBAND F. RAHMEN	ÂME EN ACIER INOXYDABLE POUR PROFIL
D140DNB2	3	023375-00	ASSIEME PIEDE REG. PLAST.+A304 115-165	PLASTIC+S.STEEL LEG	CNS+PLASTIKFUSS	PIED EN PLASTIQUE+ACIER INOX
D140DNB2	-	TAV.016A	ASS. PORTA DX ZEUS "ZE" DEXION	COMPLETE RIGHT-HAND DOOR	KOMPLETTE RECHTSÖFFNENDE TÜR	ENSEMBLE PORTE DROITE
D140DNB2	-	TAV.016A	ASS. PORTA SX ZEUS "ZE" DEXION	COMPLETE LEFT-HAND DOOR	KOMPLETTE LINKSÖFFNENDE TÜR	ENSEMBLE PORTE GAUCHE
D140DNB2	4	013486-00	SERRATURA CHIAVE UNICA CAT. LEVA PER FV	DOOR LOCK - FD MODELS	TUERSCHLOSS	SERRURE PORTE
D140DNB2 (-2°C)	-	TAV.012 (023922-00)	ASS. COMPR. ZEUS +1/-2°C 700 LT	COMPLETE CONDENSING UNIT	GESAMTE KONDENSATIONS-EINHEIT	GROUPE DE CONDENSATION
D140DNB2 (-25°C)	-	TAV.004 (023935-00)	ASS. COMPR. ZEUS -25/-10°C 1400 LT	COMPLETE CONDENSING UNIT	GESAMTE KONDENSATIONS-EINHEIT	GROUPE DE CONDENSATION
D140DNB2 (-2°C)	-	TAV.011 (023929-00)	ASS. EVAP. ZEUS -2°C 700LT	COMPLETE EVAPORATING UNIT	GESAMTE VERDAMPFUNGSEINHEIT	GROUPE DE EVAPORATION
D140DNB2 (-25°C)	-	TAV.011 (023936-00)	ASS. EVAP. ZEUS -25°C 1400LT	COMPLETE EVAPORATING UNIT	GESAMTE VERDAMPFUNGSEINHEIT	GROUPE DE EVAPORATION
D140DNB2	5	013528-00	CONVOGLIATORE ARIA IN ABS 7378	AIR-OUTLET CONVEYOR	LUFTKONVEYOR-ZELLE	CONVOYEUR AIR
D140DNB2	6	023848-00	ASS. COPERCHIO EVAP. ARES/ZEUS	EVAPORATOR COVER	VERDAMPFERABDECKUNG	COUVERCLE ÉVAPORATEUR
D140DNB2	7	023602-00	SQUADR. RINF. COPERCHIO EVAP. ARES/ZEUS	EVAPORATOR COVER HOLDER	HALTERUNG VERDAMPFERABDECKUNG	SUPPORT COUVERCLE ÉVAPORATEUR
D140DNB2	8	023612-01	FIANCO SUP. DX/SX ZEUS 700/1400 LT	TOP RIGHT/LEFT PANEL	OBERES RECHTES/LINKES PANEEL	PANNEAU SUPÉRIEUR DROITE/GAUCHE
D140DNB2	9	023572-00	RINF POST L=1478,5FIANCO SUP DX/SX ARES	TOP BACK-SIDE PANEL	OBERES RÜCKWANDPANEEL	PANNEAU SUPÉRIEUR LATÉRAL-ARRIÈRE
D140DNB2	10	011548-02	CAVO ALIM. G32 HO5VV-F 3G1.5 CM300	POWER SUPPLY CORD	SPEISUNGSKABEL	CORDON D'ALIMENTATION
D140DNB2	11	022176-00	CONTATTO REED PER FD	DOOR MAGNETIC MICROSWITCH	MIKRO-MAGNETSCHALTER TÜR	MICRORUPTEUR MAGNÉTIQUE PORTE
D140DNB2	12	020520-00	MODULO DI POTENZA LAE SSD90C65E-C	POWER CONTROL UNIT	LEISTUNGSMODUL	UNITÉ DE COMMANDE ALIMENTATION
D140DNB2	13	021390-01	MASCHERINA RESINATA RACC. DEXION SMD34	DEXION INSTRUMENT BLUE FRAME	DEXION-INSTRUMENT BLAUER RAHMEN	ÉTIQUETTE EN RÉSINE DEXION
D140DNB2	14	020521-00	PIATTINA DI COLLEGAMENTO FC10-10M01	FLAT CONNECTOR	FLACHSTECKER	FIL DE CONNEXION
D140DNB2	15	020522-00	DISPLAY REMOTO SMD34RU PER FV	REMOTE DISPLAY KEYBOARD	FERNDISPLAY TASTATUR	CLAVIER TÉLÉAFFICHAGE
D140DNB2	16	024323-00	ASS. CRUSC. SMD34 RACC. 1400 2T (STANDARD) MBM	INSTRUMENT S.TEEL PANEL (STANDARD) 2-TEMP.	INSTRUMENTENTAFEL STAHL (STANDARD) 2-TEMP.	PANNEAU INSTRUMENTS EN ACIER INOXYDABLE (STANDARD) 2-TEMP.
D140DNB2	17	015210-00	MORSETTO FISSACAVO 3040/LGK 6-16MM	POWER-SUPPLY CABLE HOLDER	SPEISUNGSKABELHALTERUNG	SUPPORT CABLE ALIMENTATION
D140DNB2	18	023596-01	SUPP. GN2/1 ANT/POST DX/SX ZEUS 700/1400	BACK/FRONT RIGHT/LEFT UP-RIGHT SLIDE SUPPORT	HINTERE/VORDERE RECHTE/LINKE AUFRECHTE SCHIENENHALTERUNG	SUPPORT GLISSIÈRE ARRIÈRE/AVANT DROITE/GAUCHE HAUT/BAS
D140DNB2	19	OA000-ZE-024	COPPIA GUIDE PER GN 2/1	COUPLE OF SLIDES	PAAR GLEITSCHIENEN	PAIRE DE GLISSIÈRES
D140DNB2	20	012197-00	PARTICOLARE PER FISS. MONTANTE	UP-RIGHT SUPPORT HOLDER	STÄNDERHALTERUNG	DÉTAIL FIXATION MONTANT
D140DNB2	21	OA000-00-021	RIPIANO GRIGLIATO RILSAN GN2/1	RILSAN SHELF	RILSAN REGAL	CLAYETTE RILSAN
D140DNB2	22	022292-00	SCATOLA ILLUMINAZIONE ECONOMICA	ECO-LAMP COVER	LAMPEGEHAUSE	COUVERCLE LAMPE

MODELLO MODEL MODELL MODELE	POS.	CODICE CODE KODE CODE	<i>DESCRIZIONE</i>	<i>DESCRIPTION</i>	<i>BESCHREIBUNG</i>	<i>DESCRIPTION</i>
D140DNB2	23	023547-00	VETRO ILLUMINAZIONE ECONOMICA 110X62X6	ECO-LAMP GLASS	EKO-LAMPE GLAS	ECO-LAMPE VITRE
D140DNB2	24	022193-00	PORTALAMPADA E14	LAMP-HOLDER	LAMPEBEHAELTER	SUPPORT LAMPE
D140DNB2	25	022194-00	LAMPADA OLIVA CH E14 60W 230V	LAMP	LAMPE	LAMPE
D140DNB2 (-2°C)	26	011524-00	RESISTENZA 35W 230V CORNICI MASCHIO	DOOR FRAME HEATER	TUERRAHMENHEIZUNG	RESISTANCE PORTE
D140DNB2 (-25°C)	26A	019021-00	RESISTENZA 64,4W 230V CORNICI PORTA	DOOR FRAME HEATER	TUERRAHMENHEIZUNG	RESISTANCE PORTE

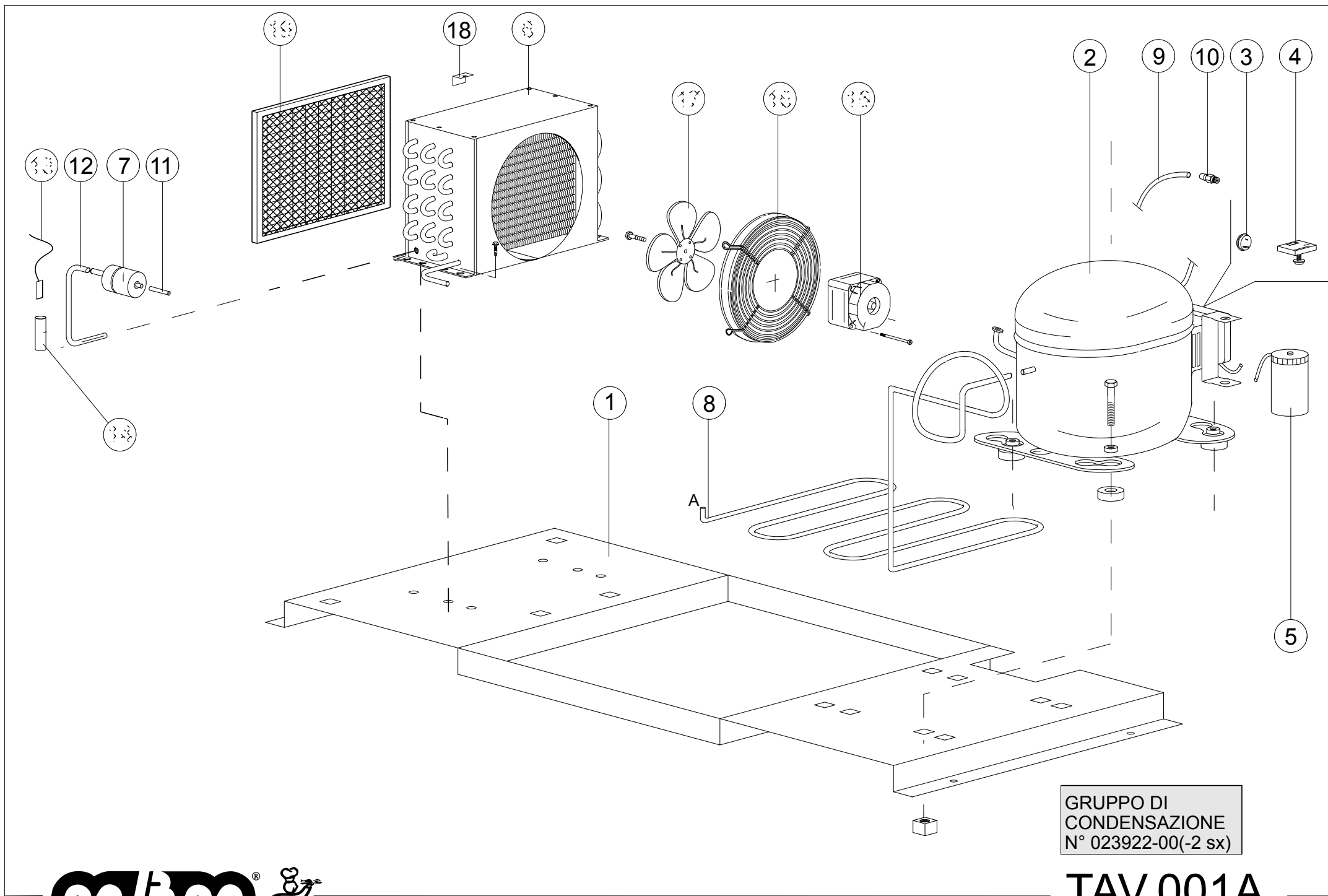


PORTE ARMADI
 700 - 1400 Lt.
 SERIE ZEUS

TAV.016-A



MODELLO MODEL MODELL MODELE	POS.	CODICE CODE KODE CODE	DESCRIZIONE	DESCRIPTION	BESCHREIBUNG	DESCRIPTION
D70x1 D140...	1	023923-00	ASS. PORTA DX ZEUS "ZE" DEXION	COMPLETE RIGHT-HAND DOOR	KOMPLETTE RECHTSÖFFNENDE TÜR	ENSEMBLE PORTE DROITE
D140...	2	023924-00	ASS. PORTA SX ZEUS "ZE" DEXION	COMPLETE LEFT-HAND DOOR	KOMPLETTE LINKSÖFFNENDE TÜR	ENSEMBLE PORTE GAUCHE
D70x1 D140...	3	011535-00	GUARN.MAGN.G.4-LM 420/960 BIA 1555X689	DOOR SEAL	TUER DICHTUNG	JOINT PORTE
D70DN2 D70DNB2	4	023587-00	ASS. PORTA RAGG. SUP.DX/INF.SX ZEUS	COMPLETE TOP-RIGHT/BOTTOM-LEFT DOOR	1/2 TUER KOMPL.OBEN RECHTS/UNTEN LINKS	PORTILLON SUP.DR./INF.GAUCHE
D70DN2 D70DNB2	5	023589-00	ASS. PORTA RAGG. SUP.SX/INF.DX ZEUS	COMPLETE TOP-LEFT/BOTTOM-RIGHT DOOR	1/2 TUER KOMPL.OBEN LINKS/UNTEN RECHTS	PORTILLON SUP.GAUCHE/INF.DR.
D70DN2 D70DNB2	6	011537-00	GUARNIZ.MAGN.G.4-LM 420/960 BIA 755X689	HALF-DOOR SEAL	1/2 TUER DICHTUNG	JOINT PORTILLON
D70x1 D140...	7	022094-03	STAFFA SUP. DX-SX FD	UPPER RIGHT/LEFT SUPPORT	OBERE RECHTE/LINKE HALTERUNG	SUPPORT SUPÉRIEUR DROITE/GAUCHE
D70x1 D140...	8	022103-02	ASS. STAFFA INF. DX-SX CERNIERA FD	LOWER RIGHT/LEFT SUPPORT	UNTERE RECHTE/LINKE HALTERUNG	SUPPORT INFÉRIEUR DROITE/GAUCHE
D70DN2 D70DNB2	9	022558-00	ASS.CERNIERA INTERM.ZEUS 700/1400 LT.	MIDDLE HINGE FOR HALF-DOOR	MITTLEREN SCHARNIER	CHARNIERE INTERM.
D70x1 D140...	10	022104-00	CERNIERA PER PORTA DX-SX FD	RIGHT-HAND DOOR HINGE	SCHARNIER RECHTSÖFFNENDE TÜR	CHARNIÈRE PORTE DROITE
D70x1 D140...	11	022105-00	TAPPO PER CERNIERA PORTA	DOOR TAP FOR SUPPORT	TÜRSCHARNIERABDECKUNG	BOUCHON POUR CHARNIÈRE PORTE
D70x1 D140...	12	011573-00	MOLLA SX PER PORTA APERTURA DX	DOOR SPRING, RIGHT	TUERFEDER, RECHTS	RESSORT DROIT
D70x1 D140...	13	011572-00	MOLLA DX PER PORTA APERTURA SX	DOOR SPRING, LEFT	TUERFEDER, LINKS	RESSORT GAUCHE
D70DN2 D70DNB2	14	011574-00	MOLLA PER 1/2 PORTA FV	UPPER SPRING FOR 1/2-DOOR	1/2 TUERFEDER	RESSORT PORTILLON
D70x1 D140...	15	011561-00	ASS. CERNIERA SUP. DX INF. SX	UPPER RIGHT/LOWER LEFT HINGE	SCHARNIER O. RECHTS/U. LINKS	CHARNIERE SUP. DR.
D70x1 D140...	16	011563-00	ASS. CERNIERA SUP. SX INF. DX	LOWER RIGHT/UPPER LEFT HINGE	SCHARNIERE O. LINKS/U. RECHTS	CHARNIERE SUP. G.
D70DN2 D70DNB2	17	011576-00	ASS. CERNIERA SABBIATA PER 1/2 PORTA	MIDDLE HINGE FOR HALF-DOOR	MITTLEREN SCHARNIER	CHARNIERE INTERM.
D70x1 D140...	18	011575-01	DISTANZIALE CERNIERA SUP. (SP.10MM)	TOP-HINGE SPACER (10MM)	ENTFERNUNGSSTUECK	ENTRETOISE PLAST.X CHARNIERE
D70x1 D140...	19	011566-01	ASS. CANOTTO PORTA-MOLLA	DOOR-SPRING HOLDER	FEDERHALTER-ROHR	PORTE-RESSORT



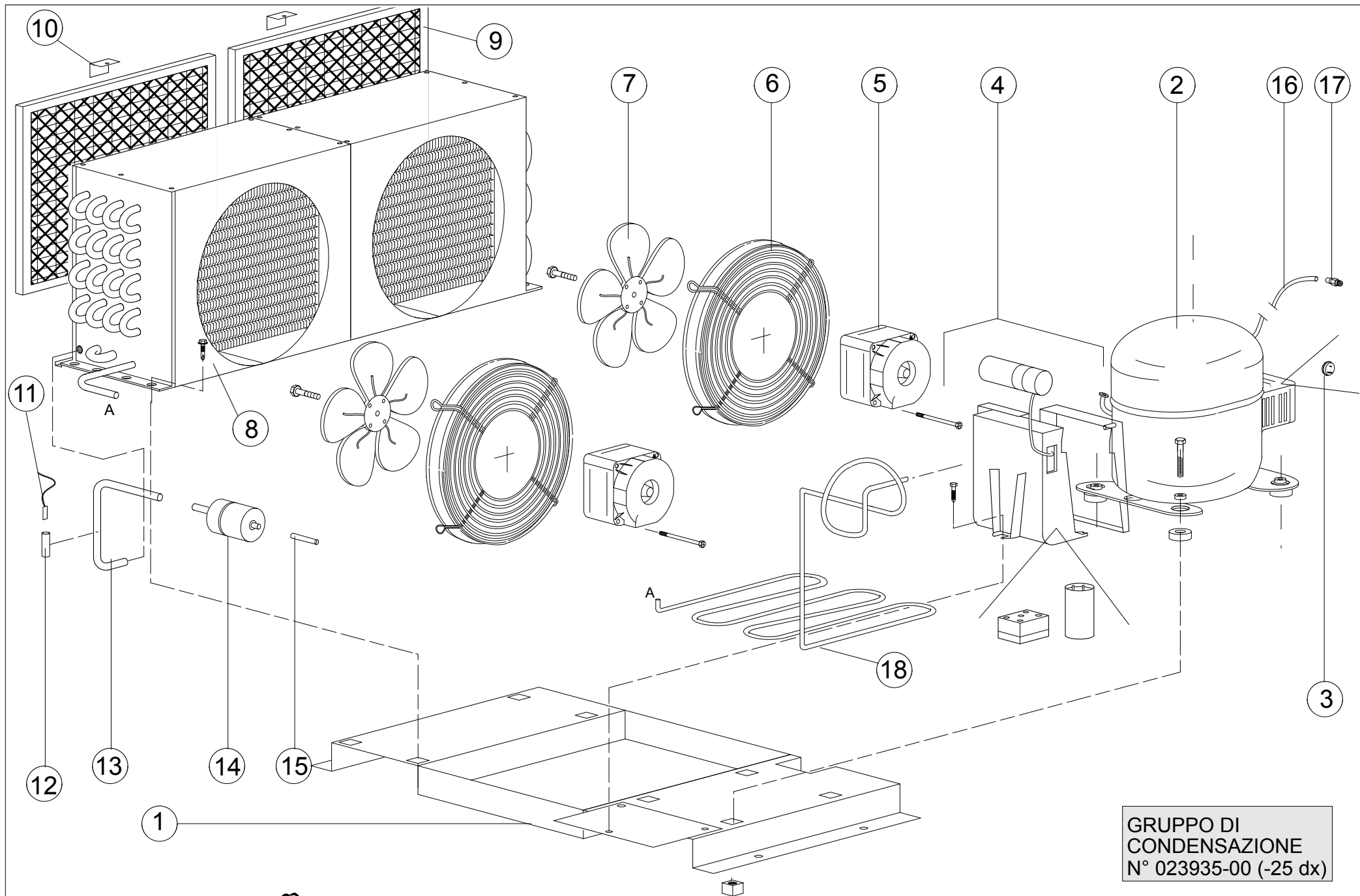
GRUPPO DI
CONDENSAZIONE
N° 023922-00(-2 sx)



TAV.001A

MODELLO MODEL MODELL MODELE	POS.	CODICE CODE KODE CODE	DESCRIZIONE	DESCRIPTION	BESCHREIBUNG	DESCRIPTION
D140DN2 D140DNB2 D140DNP3 D140DNP2	1	023591-00	BASAMENTO GRUPPO ARES/ZEUS 700/1400	CONDENSING UNIT BASE	UNTERGESTELL VERFLÜSSIGEREINHEIT	BASE UNITÉ DE CONDENSATION
D140DN2 D140DNB2 D140DNP3 D140DNP3	2	022260-00	COMPRESSORE GL 90 TB 230V 50HZ	COMPRESSOR	KOMPRESSOR	COMPRESSEUR
D140DN2 D140DNB2 D140DNP3 D140DNP4	3	023789-00	SALVAMOTORE T0057-22 GL90TB	SAFETY TEMP. LIMIT SWITCH	SICHERHEITSTHERMOSTAT- KOMPRESSOR	RUPTEUR THERMIQUE DE SÉCURITÉ
D140DN2 D140DNB2 D140DNP3 D140DNP5	4	023790-00	RELE DI AVVIAMENTO MTRP-43-27 GL90TB	STARTING RELAY	KOMPRESSORANLASSEN-RELAIS	RELAIS DEMARRAGE COMPRESSEUR
D140DN2 D140DNB2 D140DNP3 D140DNP6	5	023788-00	CONDENSATORE AVV. 47-56MDF/330V GL-ML	STARTING CAPACITOR	KOMPRESSORANLASSEN- KONDENSATOR	CONDENSEUR DEMARRAGE COMPRESSEUR
D140DN2 D140DNB2 D140DNP3 D140DNP7	6	011531-00	CONDENSATORE 3R 9T X240	CONDENSER	KONDENSATOR	CONDENSATEUR
D140DN2 D140DNB2 D140DNP3 D140DNP8	7	014615-00	FILTRO DEIDRATORE DN 032 S 6MM	FILTER DRIER	TROCKNER	FILTRE SECHANT
D140DN2 D140DNB2 D140DNP3 D140DNP9	8	023767-00	SERPENTINO EVAP.COND.FV ARES	WATER-EVAPORATION COIL	KONDENSATVERDAMPFUNGSSCHLANG E	SERPENTIN ÉVAPORATION DE L'EAU
D140DN2 D140DNB2 D140DNP3 D140DNP10	9	012691-02	TUBO RICARICA PER FV-SA	RECHARGE TUBE	BEFÜLLROHRE	TUYAU DE RECHARGE
D140DN2 D140DNB2 D140DNP3 D140DNP11	10	012722-00	VALV.RIC.FIL. 1/4"FILX1/4"A SALD.	RECHARGE VALVE	SCHRADERVENTIL	SOUPAPE RECHARG.
D140DN2 D140DNB2 D140DNP3 D140DNP12	11	014665-00	TUBO USCITA FILTRO PER FV-FO	FILTER DRIER OUTLET PIPE	AUSTRITTSROHR FILTERTROCKNER	TUYAU SORTIE FILTRE DÉSHYDRATEUR

MODELLO MODEL MODELL MODELE	POS.	CODICE CODE KODE CODE	DESCRIZIONE	DESCRIPTION	BESCHREIBUNG	DESCRIPTION
D140DN2 D140DNB2 D140DNP3 D140DNP13	12	021378-00	TUBO USCITA CONDENS. + TRONCHETTO 3R9T	CONDENSER OUTLET PIPE	VERFLÜSSIGERAUSTRITTSROHR	TUYAU DE SORTIE CONDENSEUR
D140DN2 D140DNB2 D140DNP3 D140DNP14	13	020526-00	SONDA COND. PTC PER SSD90 ST1K20C3	CONDENSER PROBE	VERFLÜSSIGERFÜHLER	SONDE CONDENSEUR
D140DN2 D140DNB2 D140DNP3 D140DNP15	14	019316-00	TRONCHETTO PORTA BULBO PER FO SKIN	PROBE HOLDER	FÜHLERHALTERUNG	SUPPORT SONDE
D140DN2 D140DNB2 D140DNP3 D140DNP16	15	012725-00	VENTILATORE 82D 2010/V-9 230V 50HZ	FAN MOTOR	VENTILATORMOTOR	VENTILATEUR
D140DN2 D140DNB2 D140DNP3 D140DNP17	16	011589-01	SUPPORTO PROTEZ. MOTOVENTIL. CONDENS.	CONDENSER FAN PROTECTION GRID	KONDENS.TRAEGER	SUPP.PROTECT.CONDENS.
D140DN2 D140DNB2 D140DNP3 D140DNP18	17	013479-00	VENTOLA ASPIRANTE DIAM. 230-28ø	IMPELLER	LUEFTERFLUEGEL	COURONNE MOBILE
D140DN2 D140DNB2 D140DNP3 D140DNP19	18	015422-00	SQUADRETTA FERMO FILTRO	AIR-FILTER HOLDER	LUFTFILTERHALTERUNG	SUPPORT FILTRE A AIR
D140DN2 D140DNB2 D140DNP3 D140DNP20	19	013524-00	FILTRO CFL/P CON SETTO POL206 252X265X1	CONDENSER AIR-FILTER	FILTER	FILTRE

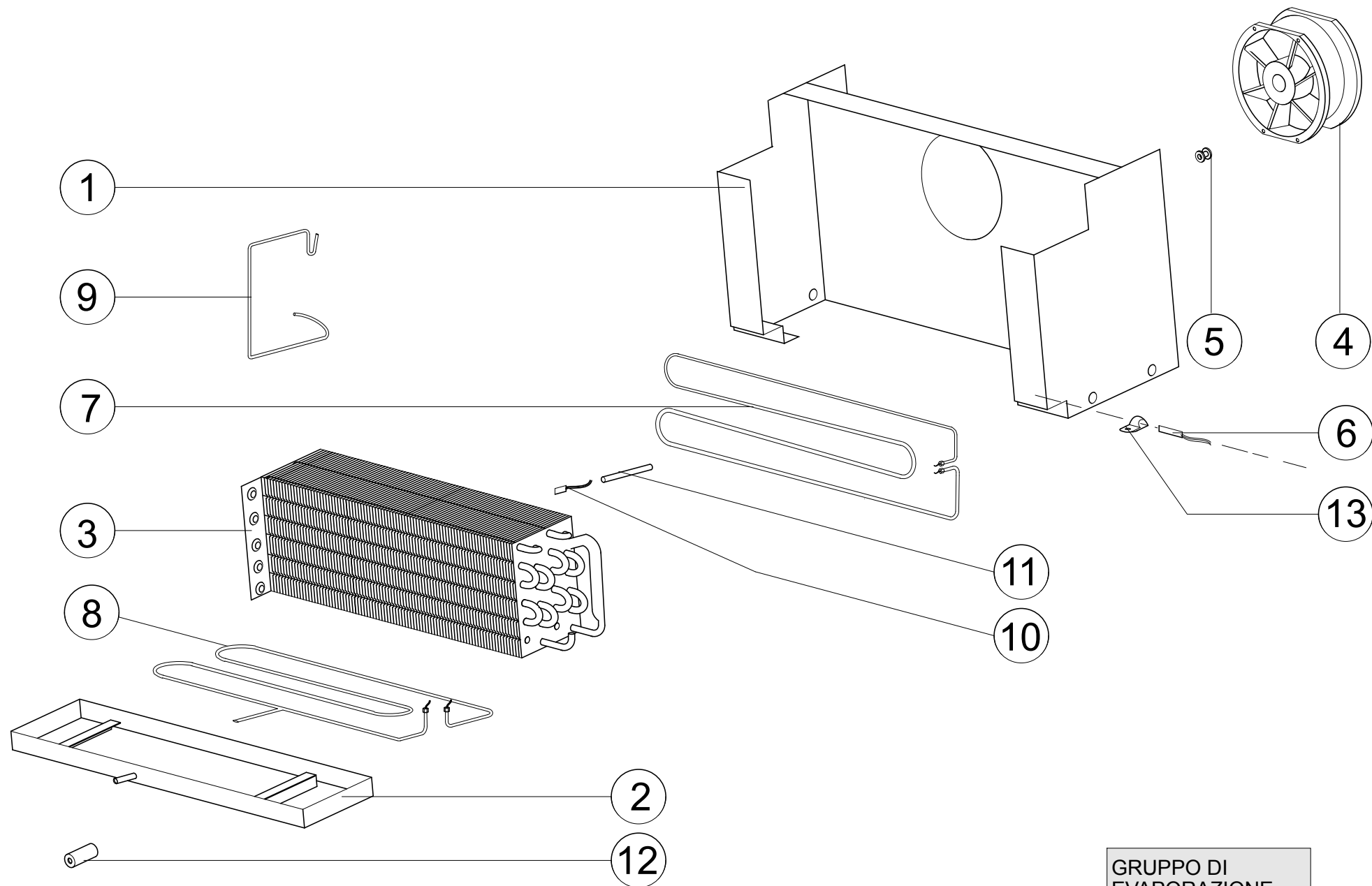


GRUPPO DI
CONDENSAZIONE
N° 023935-00 (-25 dx)



TAV.004

MODELLO MODEL MODELL MODELE	POS.	CODICE CODE KODE CODE	DESCRIZIONE	DESCRIPTION	BESCHREIBUNG	DESCRIPTION
D140B2 D140DNB2	1	023591-00	BASAMENTO GRUPPO ARES/ZEUS 700/1400	CONDENSING UNIT BASE	UNTERGESTELL VERFLÜSSIGEREINHEIT	BASE UNITÉ DE CONDENSATION
D140B2 D140DNB3	2	022269-00	COMPRESSORE MX 21 FB 230V 50HZ	COMPRESSOR	KOMPRESSOR	COMPRESSEUR
D140B2 D140DNB4	3	024374-00	SALVAMOTORE T0348-G2 MX21FB	SAFETY TEMP. LIMIT SWITCH	MOTORSCHUTZSCHALTER	RUPTEUR THERMIQUE DE SÉCURITÉ
D140B2 D140DNB5	4	024375-00	GRUPPO AVVIAMENTO MX21FB	STARTING UNIT	ANLAUFMODUL	UNITÉ DE DÉMARRAGE
D140B2 D140DNB6	5	012725-00	VENTILATORE 82D 2010/V-9 230V 50HZ	FAN MOTOR	VENTILATORMOTOR	VENTILATEUR
D140B2 D140DNB7	6	011589-01	SUPPORTO PROTEZ. MOTOVENTIL. CONDENS.	CONDENSER FAN PROTECTION GRID	KONDENS.TRAEGER	SUPP.PROTECT.CONDENS.
D140B2 D140DNB8	7	013479-00	VENTOLA ASPIRANTE DIAM. 230-28°	IMPELLER	LUEFTERFLUEGEL	COURONNE MOBILE
D140B2 D140DNB9	8	011533-00	CONDENSATORE 4R 9T 500	CONDENSER	KONDENSATOR	CONDENSATEUR
D140B2 D140DNB10	9	013524-00	FILTRO CFL/P CON SETTO POL206 252X265X12	CONDENSER AIR-FILTER	FILTER	FILTRE
D140B2 D140DNB11	10	015422-00	SQUADRETTA FERMO FILTRO	AIR-FILTER HOLDER	LUFTFILTERHALTERUNG	SUPPORT FILTRE A AIR
D140B2 D140DNB12	11	020526-00	SONDA COND. PTC PER SSD90 ST1K20C3	CONDENSER PROBE	VERFLÜSSIGERFÜHLER	SONDE CONDENSEUR
D140B2 D140DNB13	12	019316-00	TRONCHETTO PORTA BULBO PER FO SKIN	PROBE HOLDER	FÜHLERHALTERUNG	SUPPORT SONDE
D140B2 D140DNB14	13	012350-02	TUBO USCITA CONDENSATORE 3R9T	CONDENSER OUTLET PIPE	VERFLÜSSIGERAUSTRITTSROHR	TUYAU DE SORTIE CONDENSEUR
D140B2 D140DNB15	14	014615-00	FILTRO DEIDRATORE DN 032 S 6MM	FILTER DRIER	TROCKNER	FILTRE SECHANT
D140B2 D140DNB16	15	014665-00	TUBO USCITA FILTRO PER FV-FO	FILTER DRIER OUTLET PIPE	AUSTRITTSROHR FILTERTROCKNER	TUYAU SORTIE FILTRE DÉSHYDRATEUR
D140B2 D140DNB17	16	012691-02	TUBO RICARICA PER FV-SA	RECHARGE TUBE	BEFÜLLROHRE	TUYAU DE RECHARGE
D140B2 D140DNB18	17	012722-00	VALV.RIC.FIL. 1/4"FILX1/4"A SALD.	RECHARGE VALVE	SCHRADERVENTIL	SOUPAPE RECHARG.
D140B2 D140DNB19	18	023767-00	SERPENTINO EVAP.COND.FV ARES	WATER-EVAPORATION COIL	KONDENSATVERDAMPFUNGSSCHLANG E	SERPENTIN ÉVAPORATION DE L'EAU



GRUPPO DI
 EVAPORAZIONE
 N° 024031-00



TAV.011

MODELLO MODEL MODELL MODELE	POS.	CODICE CODE KODE CODE	DESCRIZIONE	DESCRIPTION	BESCHREIBUNG	DESCRIPTION
D140N2 D140P2 D140DN2 D140N2V D140B2 D140DNB2 D140DNP3 D140DNP2	1	022147-00	ASS. CONVOGLIATORE EUROPA NEW	AIR-CONVEYOR	LUFTVERTEILER	CONVOYEUR D'AIR
D140N2 D140P2 D140DN2 D140N2V D140B2 D140DNB2 D140DNP3 D140DNP3	2	022149-00	ASS. BACINELLA COND. INT. EVAP. EUROPA	INTERNAL WATER COLLECTING TRAY	INTERNE KONDENSATSAMMELWANNE	BAC INTERNE DE COLLECTE DE L'EAU
D140N2 D140P2 D140DN2 D140N2V D140B2 D140DNB2 D140DNP3 D140DNP4	3	023947-00	EVAPORATORE 6T-4R 350 PA 4,3 3/8 ARES/ZEUS	EVAPORATOR	VERDAMPFER	ÉVAPORATEUR
D140N2 D140P2 D140DN2 D140N2V D140B2 D140DNB2 D140DNP3 D140DNP5	4	022182-00	VENTILATORE FULLTECH EVAP.EUROPA	EVAPORATOR FAN	VERDAMPFERVENTILATOR	VENTILATEUR DE L'ÉVAPORATEUR
D140N2 D140P2 D140DN2 D140N2V D140B2 D140DNB2 D140DNP3 D140DNP6	5	020743-00	PASSACAVO NERO øINT.7X14 SP.8 0886- CA01	FAIRLEAD	KABELFÜHRUNG	GUIDE-CÂBLE

MODELLO MODEL MODELL MODELE	POS.	CODICE CODE KODE CODE	DESCRIZIONE	DESCRIPTION	BESCHREIBUNG	DESCRIPTION
D140N2 D140P2 D140DN2 D140N2V D140B2 D140DNB2 D140DNP3 D140DNP7	6	020524-00	SONDA CELLA PTC PER SSD90 ST1K20C1	CABINET PROBE	GEHÄUSEFÜHLER	SONDE CHAMBRE
D140N2 D140P2 D140DN2 D140N2V D140B2 D140DNB2 D140DNP3 D140DNP8	7	014474-02	RESIST.COR. 250W 230V SBRIN. EVAP.	EVAPORATOR SIDE-DEFROSTING HEATER	TAUWASSERVERDUNSTUNGHEIZUNG	RESISTANCE DEGIVR.EVAPORAT.
D140N2 D140P2 D140DN2 D140N2V D140B2 D140DNB2 D140DNP3 D140DNP9	8	022258-01	RESIST. CORAZZATA 550W 230V SBRIN. EVAP.	EVAPORATOR BOTTOM-DEFROSTING HEATER	TAUWASSERVERDUNSTUNGHEIZUNG	RESISTANCE DEGIVR.EVAPORAT.
D140N2 D140P2 D140DN2 D140N2V D140B2 D140DNB2 D140DNP3 D140DNP10	9	023415-00	MOLLA RESIST.EVAP.EUROPA NEW	EVAPORATOR HEATING ELEMENT HOLDER	HALTERUNG VERDAMPFER- HEIZELEMENT	SUPPORT ÉLÉMENT CHAUFFANT ÉVAPORATEUR
D140N2 D140P2 D140DN2 D140N2V D140B2 D140DNB2 D140DNP3 D140DNP11	10	020525-00	SONDA EVAP.PTC PER SSD90 ST1K20C2	EVAPORATOR PROBE	VERDAMPFERFÜHLER	SONDE ÉVAPORATEUR

MODELLO MODEL MODELL MODELE	POS.	CODICE CODE KODE CODE	DESCRIZIONE	DESCRIPTION	BESCHREIBUNG	DESCRIPTION
D140N2 D140P2 D140DN2 D140N2V D140B2 D140DNB2 D140DNP3 D140DNP12	11	023383-00	TUBETTO VIPLA NERO DIAM.6	POLYVINYL PIPE, BLACK	POLYVINYLROHR, SCHWARZ	TUYAU EN POLYVINYLE, NOIR
D140N2 D140P2 D140DN2 D140N2V D140B2 D140DNB2 D140DNP3 D140DNP13	12	019599-00	TUBO ISOLAMENTO ST CL1 SP.9 DM.15	PIPE INSULATING COVER	ISOLIERMANTEL F. ROHR	PANNEAU ISOLANT TUYAU
D140N2 D140P2 D140DN2 D140N2V D140B2 D140DNB2 D140DNP3 D140DNP14	13	015211-00	COLLARE POLIAMMIDE D.6,5 255-6,5	PROBE RING-HOLDER	FÜHLERKRAGEN	ANNEAU DE SONDE-SUPPORT