

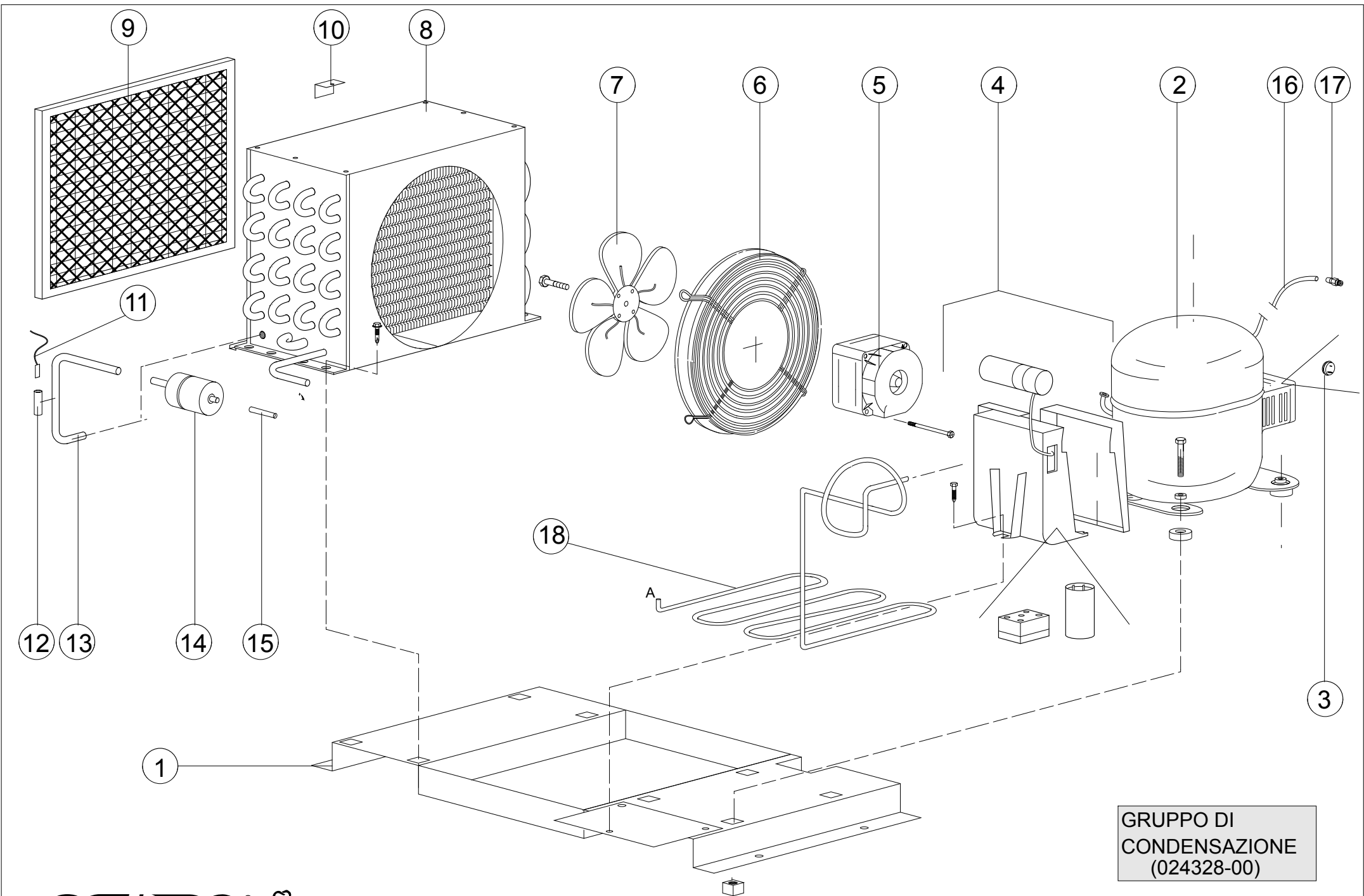
ARMADIO 1400 Lt.
 SERIE ACAL O BUSINESS
 Mod.
 AX140B2
 BX140B2



TAV.013

MODELLO MODEL MODELL MODELE	POS.	CODICE CODE KODE CODE	DESCRIZIONE	DESCRIPTION	BESCHREIBUNG	DESCRIPTION
AX140B2 BX140B2	1	022289-00	ANIMA PER PROFILO DA 739 MM	FRAME S.STEEL STRIP	S. STAHLBAND F. RAHMEN	ÂME EN ACIER INOXYDABLE POUR PROFIL
AX140B2 BX140B2	2	022290-00	ANIMA PER PROFILO DA 1599 MM	FRAME S.STEEL STRIP	S. STAHLBAND F. RAHMEN	ÂME EN ACIER INOXYDABLE POUR PROFIL
AX140B2 BX140B2	3	023374-00	ASSIEME PIEDE REG. PLAST.GRIGIA 115-165	GREY-PLASTIC LEG	GRAUER PLASTIKFUSS	PIED EN PLASTIQUE GRIS
AX140B2 BX140B3	4	023375-00	ASSIEME PIEDE REG. PLAST.+A304 115-165	PLASTIC+S.STEEL LEG	CNS+PLASTIKFUSS	PIED EN PLASTIQUE+ACIER INOX
AX140B2	4	023855-00	ASS. PORTA DX ARES "AL"	COMPLETE RIGHT-HAND DOOR (POS.8, 9 INCLUDED)	KOMPLETTE RECHTSÖFFNENDE TÜR (POS. 8, 9 INKLUDIERT)	ENSEMBLE PORTE DROITE (POS. 8, 9 COMPRISES)
BX140B2	4	023857-00	ASS. PORTA DX ARES "IN"	COMPLETE RIGHT-HAND DOOR (POS.8, 9 INCLUDED)	KOMPLETTE RECHTSÖFFNENDE TÜR (POS. 8, 9 INKLUDIERT)	ENSEMBLE PORTE DROITE (POS. 8, 9 COMPRISES)
AX140B2	4a	023856-00	ASS. PORTA SX ARES "AL"	COMPLETE LEFT-HAND DOOR	KOMPLETTE LINKSÖFFNENDE TÜR	ENSEMBLE PORTE GAUCHE
BX140B2	4a	023858-00	ASS. PORTA SX ARES "IN"	COMPLETE LEFT-HAND DOOR	KOMPLETTE LINKSÖFFNENDE TÜR	ENSEMBLE PORTE GAUCHE
AX140B2 BX140B2	5	011535-00	GUARN.MAGN.G.4-LM 420/960 BIA 1555X689	DOOR SEAL	TUER DICHTUNG	JOINT PORTE
AX140B2 BX140B2	6	022094-03	STAFFA SUP. DX-SX FD	UPPER RIGHT/LEFT SUPPORT	OBERE RECHTE/LINKE HALTERUNG	SUPPORT SUPÉRIEUR DROITE/GAUCHE
AX140B2 BX140B2	7	022103-02	ASS. STAFFA INF. DX-SX CERNIERA FD	LOWER RIGHT/LEFT SUPPORT	UNTERE RECHTE/LINKE HALTERUNG	SUPPORT INFÉRIEUR DROITE/GAUCHE
AX140B2 BX140B2	8	022104-00	CERNIERA PER PORTA DX-SX FD	RIGHT-HAND DOOR HINGE	SCHARNIER RECHTSÖFFNENDE TÜR	CHARNIÈRE PORTE DROITE
AX140B2 BX140B2	9	022105-00	TAPPO PER CERNIERA PORTA	DOOR TAP FOR SUPPORT	TÜRSCHARNIERABDECKUNG	BOUCHON POUR CHARNIÈRE PORTE
AX140B2 BX140B2	10	013486-00	SERRATURA CHIAVE UNICA CAT. LEVA PER FV	DOOR LOCK - FD MODELS	TUERSCHLOSS	SERRURE PORTE
AX140B2 BX140B2	-	TAV. 003 (024351-00)	ASS. COMPR. SC18CL ARES -20°C 1400 LT	COMPLETE CONDENSING UNIT	GESAMTE KONDENSATIONS-EINHEIT	GROUPE DE CONDENSATION
AX140B2 BX140B2	-	TAV. 011 (023847-00)	ASS. EVAP. ARES -20°C 700/1400 LT	COMPLETE EVAPORATING UNIT	GESAMTE VERDAMPFUNGS-EINHEIT	GROUPE DE EVAPORATION
AX140B2 BX140B2	11	013528-00	CONVOGLIATORE ARIA IN ABS 7378	AIR-OUTLET CONVEYOR	LUFTKONVEYOR-ZELLE	CONVOYEUR AIR
AX140B2 BX140B2	12	023848-00	ASS. COPERCHIO EVAP. ARES/ZEUS	EVAPORATOR COVER	VERDAMPFERABDECKUNG	COUVERCLE ÉVAPORATEUR
AX140B2 BX140B2	13	023602-00	SQUADR. RINF. COPERCHIO EVAP. ARES/ZEUS	EVAPORATOR COVER HOLDER	HALTERUNG VERDAMPFERABDECKUNG	SUPPORT COUVERCLE ÉVAPORATEUR
AX140B2	14	023566-01	FIANCO SUP.DX ARES 700/1400LT	TOP-RIGHT PANEL	OBERES RECHTES PANEEL	PANNEAU SUPÉRIEUR DROITE
BX140B2	14	023685-02	FIANCO SUP. DX AISI 304 ARES 700/1400LT	TOP-RIGHT PANEL	OBERES RECHTES PANEEL	PANNEAU SUPÉRIEUR DROITE
AX140B2	15	023567-01	FIANCO SUP.SX ARES 700/1400LT	TOP-LEFT PANEL	OBERES LINKES PANEEL	PANNEAU SUPÉRIEUR GAUCHE
BX140B2	15	023686-02	FIANCO SUP. SX AISI 304 ARES 700/1400LT	TOP-LEFT PANEL	OBERES LINKES PANEEL	PANNEAU SUPÉRIEUR GAUCHE
AX140B2 BX140B2	16	023572-00	RINF POST L=1478,5FIANCO SUP DX/SX ARES	TOP BACK-SIDE PANEL	OBERES RÜCKWANDPANEEL	PANNEAU SUPÉRIEUR LATÉRAL-ARRIÈRE
AX140B2 BX140B2	17	021174-05	CRUSCOTTO DIGITALE 1450 LT FD SG	INSTRUMENT S.TEEL PANEL	INSTRUMENTENTAFEL S. STAHL	PANNEAU INSTRUMENTS EN ACIER INOXYDABLE
AX140B2 BX140B2	18	022176-00	CONTATTO REED PER FD	DOOR MAGNETIC MICROSWITCH	MIKRO-MAGNETSCHALTER TÜR	MICRORUPTEUR MAGNÉTIQUE PORTE
AX140B2 BX140B2	19	023382-00	SBRINATORE COMPATTO LD2-15B4E	DIGITAL CONTROLER	DIGITALER REGLER	CONTRÔLEUR NUMÉRIQUE

AX140B2 BX140B2	20	022183-00	MASCHERINA RESINATA MBM PER LDU152E-AS	INSTRUMENT MBM FRAME	INSTRUMENTENBLENDE MBM	MASQUE EN RÉSINE MBM
AX140B2 BX140B2	21	023849-00	ASS. PROTEZIONE IMPIANTO ELETTRICO + MORSETTIERA 5 POLI + CAVO ALIMENTAZIONE	SET OF PROTECTION COVER + 5-TERMINAL BOARD + POWER-SUPPLY CORD	SET SCHUTZABDECKUNGEN + 5- KLEMMENBRETT + SPEISUNGSKABEL	ENSEMBLE PANNEAU DE PROTECTION + 5- BORNIERS + CORDON D'ALIMENTATION
AX140B2 BX140B2	22	015210-00	MORSETTO FISSACAVO 3040/LGK 6-16MM	POWER-SUPPLY CABLE HOLDER	SPEISUNGSKABELHALTERUNG	SUPPORT CABLE ALIMENTATION
AX140B2 BX140B2	23	012197-00	PARTICOLARE PER FISS. MONTANTE	UP-RIGHT SUPPORT HOLDER	STÄNDERHALTERUNG	DÉTAIL FIXATION MONTANT
AX140B2 BX140B2	24	AAG0000446	RIPIANO GRIGLIATO RILSAN GN2/1	RILSAN SHELF	RILSAN REGAL	CLAYETTE RILSAN
AX140B2 BX140B2	25	023596-01	SUPP. GN2/1 ANT/POST DX/SX ZEUS 700/1400	BACK/FRONT RIGHT/LEFT UP-RIGHT SLIDE SUPPORT	HINTERE/VORDERE RECHTE/LINKE AUFRECHTE SCHIENENHALTERUNG	SUPPORT GLISSIÈRE ARRIÈRE/AVANT DROITE/GAUCHE HAUT/BAS
AX140B2 BX140B2	26	ZAG0000334	COPPIA GUIDE PER GN 2/1	COUPLE OF SLIDES	PAAR GLEITSCHIENEN	PAIRE DE GLISSIÈRES
AX140B2 BX140B2	27	019021-00	RESISTENZA 64,4W 230V CORNICI PORTA	DOOR FRAME HEATER	TUER DICHTUNG	JOINT PORTE

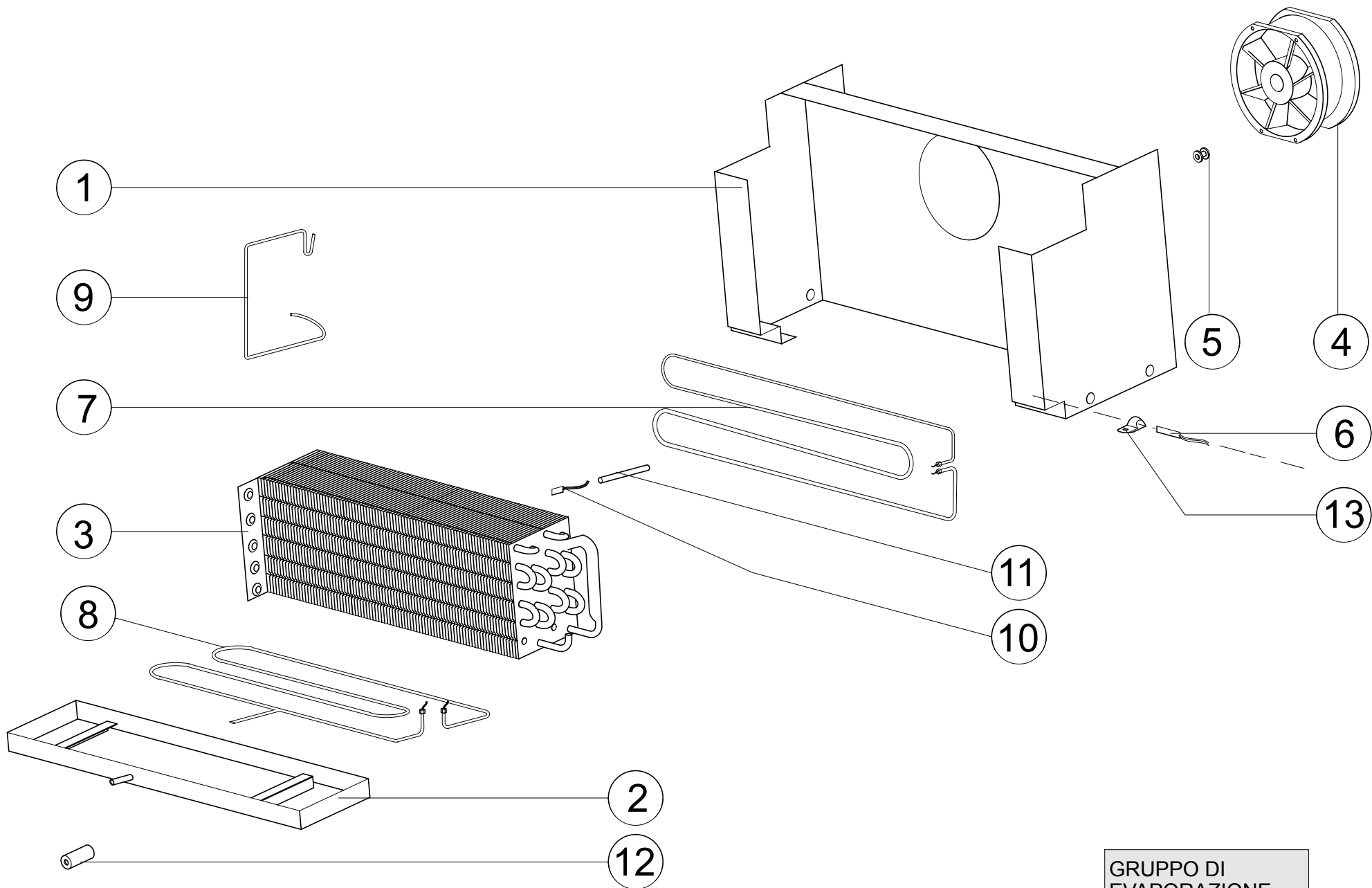


GRUPPO DI
CONDENSAZIONE
(024328-00)



TAV.003

MODELLO MODEL MODELL MODELE	POS.	CODICE CODE KODE CODE	DESCRIZIONE	DESCRIPTION	BESCHREIBUNG	DESCRIPTION
AX140B2 BX140B2	1	023591-00	BASAMENTO GRUPPO ARES/ZEUS 700/1400	CONDENSING UNIT BASE	UNTERGESTELL VERFLÜSSIGEREINHEIT	BASE UNITÉ DE CONDENSATION
AX140B2 BX140B2	2	024350-00	COMPRESSORE MX 18 FB 230V 50HZ	COMPRESSOR	KOMPRESSOR	COMPRESSEUR
AX140B2 BX140B2	3	024372-00	SALVAMOTORE PER MX18FB	SAFETY TEMP. LIMIT SWITCH	MOTORSCHUTZSCHALTER	RUPTEUR THERMIQUE DE SÉCURITÉ
AX140B2 BX140B2	4	024373-00	BOX COMPLETO C/CAVO PER MX18FB	STARTING UNIT	ANLAUFMODUL	UNITÉ DE DÉMARRAGE
AX140B2 BX140B2	5..8	024341-00	COND.CONTARDO STVF 139 ARES 1400LT -20ø	CONDENSER	KONDENSATOR	CONDENSATEUR
AX140B2 BX140B2	13	013489-01	TUBO USCITA COND. SALADETTE	CONDENSER OUTLET PIPE	VERFLÜSSIGERAUSTRITTSROHR	TUYAU DE SORTIE CONDENSEUR
AX140B2 BX140B2	14	014615-00	FILTRO DEIDRATORE DN 032 S 6MM	FILTER DRIER	TROCKNER	FILTRE SECHANT
AX140B2 BX140B2	15	014665-00	TUBO USCITA FILTRO PER FV-FO	FILTER DRIER OUTLET PIPE	AUSTRITTSROHR FILTERTROCKNER	TUYAU SORTIE FILTRE DÉSHYDRATEUR
AX140B2 BX140B2	16	012691-02	TUBO RICARICA PER FV-SA	RECHARGE TUBE	BEFÜLLROHRE	TUYAU DE RECHARGE
AX140B2 BX140B2	17	012722-00	VALV.RIC.FIL. 1/4"FILX1/4"A SALD.	RECHARGE VALVE	SCHRADERVENTIL	SOUPAPE RECHARG.
AX140B2 BX140B2	18	023767-00	SERPENTINO EVAP.COND.FV ARES	WATER-EVAPORATION COIL	KONDENSATVERDAMPFUNGSSCHLANGE	SERPENTIN ÉVAPORATION DE L'EAU



GRUPPO DI
 EVAPORAZIONE
 (024031-00)



TAV.011

MODELLO MODEL MODELL MODELE	POS.	CODICE CODE KODE CODE	DESCRIZIONE	DESCRIPTION	BESCHREIBUNG	DESCRIPTION
AX140.. A140N2 BX140.. B140N2	1	022147-00	ASS. CONVOGLIATORE EUROPA NEW	AIR-CONVEYOR	LUFTVERTEILER	CONVOYEUR D'AIR
AX140.. A140N2 BX140.. B140N2	2	022149-00	ASS. BACINELLA COND. INT. EVAP. EUROPA	INTERNAL WATER COLLECTING TRAY	INTERNE KONDENSATSAMMELWANNE	BAC INTERNE DE COLLECTE DE L'EAU
AX140N2 BX140N2 A140N2 B140N2	3	023947-00	EVAPORATORE 6T-4R 350 PA 4,3 3/8 ARES/ZEUS	EVAPORATOR	VERDAMPFER	ÉVAPORATEUR
AX140B2 BX140B2	3	023167-00	EVAPORATORE 6T-5R 350 C/ACCUM. VERN.NERO	EVAPORATOR W/ACCUMULATOR - BLACK COATED	VERDAMPFER	EVAPORATEUR
AX140.. A140N2 BX140.. B140N2	4	022182-00	VENTILATORE FULLTECH EVAP.EUROPA	EVAPORATOR FAN	VERDAMPFERVENTILATOR	VENTILATEUR DE L'ÉVAPORATEUR
AX140.. A140N2 BX140.. B140N2	5	020743-00	PASSACAVO NERO øINT.7X14 SP.8 0886-CA01	FAIRLEAD	KABELFÜHRUNG	GUIDE-CÂBLE
AX140.. A140N2 BX140.. B140N2	6	020519-00	SONDA NTC (T1) PER LD1/LD2/LDU15/LCD32	PROBE FOR DIGITAL THERMOSTAT	FUEHLER	SONDE
AX140.. A140N2 BX140.. B140N2	7	022258-01	RESIST.COR. 250W 230V SBRIN. EVAP.	EVAPORATOR SIDE-DEFROSTING HEATER	TAUWASSERVERDUNSTUNGHEIZUNG	RESISTANCE DEGIVR.EVAPORAT.
AX140.. A140N2 BX140.. B140N2	8	014474-02	RESIST. CORAZZATA 550W 230V SBRIN. EVAP.	EVAPORATOR BOTTOM-DEFROSTING HEATER	TAUWASSERVERDUNSTUNGHEIZUNG	RESISTANCE DEGIVR.EVAPORAT.
AX140.. A140N2 BX140.. B140N2	9	023415-00	MOLLA RESIST.EVAP.EUROPA NEW	EVAPORATOR HEATING ELEMENT HOLDER	HALTERUNG VERDAMPFER-HEIZELEMENT	SUPPORT ÉLÉMENT CHAUFFANT ÉVAPORATEUR
AX140.. A140N2 BX140.. B140N2	10	021283-00	SONDA NTC (T2) PER LD2/LCD32	PROBE FOR DIGITAL THERMOSTAT	FUEHLER	SONDE
AX140N2 BX140N2 A140N2 B140N2	11	023383-00	TUBETTO VIPLA NERO DIAM.6	POLYVINYL PIPE, BLACK	POLYVINYLROHR, SCHWARZ	TUYAU EN POLYVINYLE, NOIR
AX140.. A140N2 BX140.. B140N2	12	019599-00	TUBO ISOLAMENTO ST CL1 SP.9 DM.15	PIPE INSULATING COVER	ISOLIERMANTEL F. ROHR	PANNEAU ISOLANT TUYAU
AX140N2 BX140N2 A140N2 B140N2	13	015211-00	COLLARE POLIAMMIDE D.6,5 255-6,5	PROBE RING-HOLDER	FÜHLERKRAGEN	ANNEAU DE SONDE-SUPPORT
AX140B2 BX140B2	13	015212-00	COLLARE POLIAMMIDE D.5,2 255-5,2	PROBE RING-HOLDER	FÜHLERKRAGEN	ANNEAU DE SONDE-SUPPORT