

**M B M**

**SPARE PARTS CATALOGUE  
ERSATZTEILKATALOG  
CATALOGUE PIECES DETACHEES  
CATALOGO PARTI RICAMBIO  
CATALOGO DE PIEZAS DE RECAMBIO  
CATALOGO PEÇAS DE REPOSICAO**

**LOD 305**

**23-04-2009**

# LOD 305

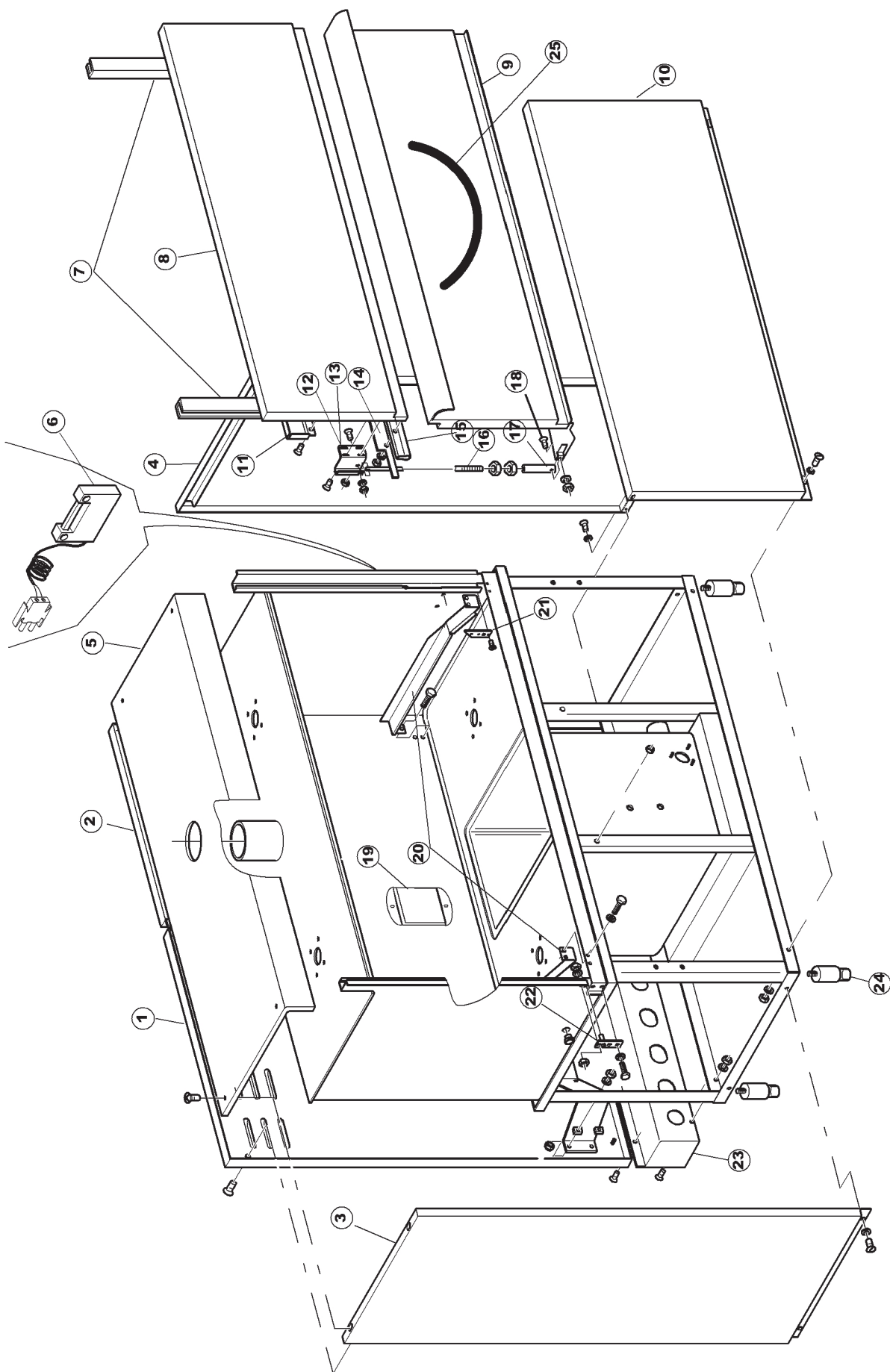
Tav.1: Carrozzeria  
Tav.2: Impianto elettrico  
Tav.3: Componenti in vasca  
Tav.4: Circuito di lavaggio  
Tav.5: Circuito di risciacquo  
Tav.6: Lance di lavaggio  
Tav.7: Pompa di lavaggio

Tav.1: Machine body  
Tav.2: Electrical components  
Tav.3: Components in the tank  
Tav.4: Washing circuit  
Tav.5: Rinsing circuit  
Tav.6: Washing arms  
Tav.7: Washing pump

Tab.1: Carrocería  
Tab.2: Instalación eléctrica  
Tab.3: Componentes en cuba  
Tab.4: Circuito de lavado  
Tab.5: Circuito d'enjuague  
Tab.6: Brazos de lavado  
Tab.7: Bomba de lavado

Tab.1: Carrosserie  
Tab.2: Installation électrique  
Tab.3: Composants de cuve  
Tab.4: Circuit de lavage  
Tab.5: Circuit de rinçage  
Tab.6: Bras de lavage  
Tab.7: Pompe de lavage

Taf.1: Verkleidung  
Taf.2: Elektrische Anlage  
Taf.3: Bauteile im Waschtank  
Taf.4: Spuelschaltung  
Taf.5: Nachspuelschaltung  
Taf.6: Wascharme  
Taf.7: Spuelpumpe



# Pagina 1

|    |          |   |  |
|----|----------|---|--|
| 1  | 43622    | PANNELLO RETRO<br>REAR PANEL<br>RUECKPANEEL<br>PANNEAU ARRIERE  |  |
| 3  | 42511    | PANNELLO LATERALE SINISTRO<br>SIDE PANEL - LEFT<br>SEITLICHES PANEEL - LINKS<br>PANNEAU LATERAL - GAUCHE.   |  |
| 5  | 43118    | PANNELLO SUPERIORE PER LAVAPENTOLE<br>UPPER PANEL FOR POT AND WASHERS<br>OBERPANEEL FUER KOCHTOEPFESPUELER<br>PANNEAU SUPERIEUR POUR LAVE-CASSEROLES                          |  |
| 6  | 211002AG | CONTATTO MAGNETICO<br>MAGNETIC DOOR SWITCH<br>TUERKONTAK SCHALTER<br>CONTACT MAGNETIQUE   |  |
| 7  | 44265    | GUIDA PORTA<br>DOOR SLIDING GUIDE<br>TUER-GLEITENDER BAHN - OBEN -<br>GUIDE GLISSANTE PORTE   |  |
| 8  | 43377    | PORTA SUPERIORE<br>DOOR<br>TUER<br>PORTE  |  |
| 10 | 43124    | PANNELLO ANTERIORE LP301 COMPLETO   |  |
| 11 | 43055    | BATTUTA SPORTELLLO SUPERIORE PER LAVAPENT<br>DOOR-LEDGE<br>ANSCHLAG FUER OBERE TUER FUER KOCHTOEPF<br>FEUILLURE PORTE SUPERIEURE POUR LAVE-CAS                                |  |
| 12 | 4108701  | SQUADRA DESTRA AGGANCIO TIRANTE<br>RIGHT BRACKET FOR UPPER DOOR TIE ROD<br>RECHT-HALTER FUER ANKUPPELN DER OBEREN<br>EQUERRE DROITE ACCROCHAGE TIRANT                         |  |
| 13 | 4108801  | SQUADRETTA SINISTRA AGGANCIO TIRANTE<br>LEFT BRACKET FOR UPPER DOOR TIE ROD<br>LINK-HALTER FUER ANKUPPELN OBEREN<br>EQUERRE DROITE ACCROCHAGE TIRANTE PORTE                   |  |
| 14 | 43058    | SUPPORTO GUARNIZIONE SPORTELLLO SUPERIORE<br>DOOR PACKING SUPPORT - UPPER FOR POT AND<br>TUERDICHTUNGSHALTERUNG - OBEN FUER KOCHT<br>SUPPORT JOINT PORT SUPERIEUR POUR LAVE-C |  |
| 15 | 41247    | GUARNIZIONE SPORTELLLO LAVAPENTOLE<br>POT AND PAN WASHER DOOR PACKING<br>DICHTUNG FUER TUER DER KOCHTOEPFESPUELER<br>JOINT PORTE LAVE-CASSEROLES                              |  |
| 16 | 44593    | TIRANTE PORTA<br>DOOR LEVER<br>HEBEL TUER MONT<br>TIRANT PORTE  |  |
| 17 | 41095    | BOCCOLA SUPERIORE TIRANTE SPORTELLLO PER<br>UPPER BUSH FOR DOOR TIE FOR POT AND PAN<br>OBERE BUCHSE FUER TUER-ZUGSTANGE FUER KO<br>BOUCLE SUPERIEURE TIRANT PORTE POUR LAVE   |  |
| 18 | 486078   | VITE IN ACCIAIO INOSSIDABILE SPEC.<br>STAINLESS STEEL SCREW 6MAX30 T.1/2 TC<br>SCHRAUBE AUS NICHTROSTENDEM STAHL 6MAX30<br>VIS EN ACIER INOXYDABLE 6MAX30 T.1/2 TC            |  |
| 19 | 43527    | PROTEZIONE<br>GUARD<br>SCHUTZVERKLEIDUNG<br>PROTECTION  |  |
| 20 | 42539    | GUIDA CESTO<br>RACK GUIDE<br>KORBFUEHRUNG<br>COULISSE PANIER  |  |

|    |         |  |  |
|----|---------|--|--|
| 21 | 4113501 | SPESSORE LATERALE SPORTELLI DX/SX<br>DOOR SIDE THICKNESS - DX/SX<br>DICKUNG - SEITLICH - DER TÜR - DX/SX<br>ÉPAISSEUR LATERAL PORTE DX/SX                                  |  |
| 22 | 4114501 | PIASTRINA PERNO SPORTELLI PER LAVAPENTOL<br>SMALL PLATE FOR DOOR PIN FOR POT AND PAN<br>PLÄTCHEN FUER ZÄPFEN TÜR FUER KOCHTÖPF<br>PLAQUE PETITE POUR PIVOT PORTE POUR LAVE |  |
| 23 | 43523   | PANNELLO RETRO INFERIORE<br>REAR PANEL<br>RUECKPANEEL<br>PANNEAU ARRIERE   |  |
| 24 | 927006  | PIEDE IN ACCIAIO INOSSIDABILE 2" M.H=85<br>STAINLESS STEEL FOOT 2" M.H=85 C/F+P.125<br>FUÈSS AUS NICHTROSTENDEM STAHL 2" M.H=85<br>VERRIN -ACIER INOXYDABLE 2" M.H=85 C/F+ |  |



## Pagina 2

|    |          |   |  |
|----|----------|---|--|
| 1  | H.228047 | PORTAFUSIBILE<br>FUSE-HOLDER<br>SICHERUNGSHALTER<br>PORTE FUSIBLE   |  |
| 2  | H.228048 | CHIUSURA PORTA FUSIBILE<br>FUSEBOX LID<br>VERSCHLUSS SICHERUNGSHALTER<br>FERMETURE PORTE FUSIBLE  |  |
| 3  | 228004   | FUSIBILE 5X20 4A FAST<br>FUSE<br>SICHERUNG<br>FUSIBLE   |  |
| 4  | 80350    | CONTATTORE 230/50-60HZ<br>CONTACTOR 230-50/60HZ<br>KONTAKT-GEBER 230-50/60HZ<br>CONTACTEUR 230-50/60HZ  |  |
| 5  | 929115   | RELE 16A FIN 6282/230AC<br>RELAY 16A 230V 6282<br>RELAIS 16A 230V 6282<br>RELAIS 16A 230V 6282  |  |
| 6  | 215032   | SCHEDA ELETTRONICA GET50<br>MAIN BOARD<br>KARTE<br>CARTE ELECTRONIQUE   |  |
| 7  | 80873    | FUSIBILE 100MA 250V<br>FUSE 100MA 250V<br>SCHMELZSICHERUNG 100MA 250V<br>FUSIBLE 100MA 250V   |  |
| 8  | 80874    | FUSIBILE 2A 250V<br>FUSE 2A 250V<br>SCHMELZSICHERUNG 2A 250V<br>FUSIBLE 2A 250V   |  |
| 9  | 80875    | FUSIBILE 4A 250V (OMEGA)<br>FUSE 4A 250V<br>SCHMELZSICHERUNG 4A 250V<br>FUSIBLE 4A 250V   |  |
| 12 | 80351    | CONTATTORE 230/50-60HZ<br>CONTACTOR 230-50/60HZ<br>KONTAKT-GEBER 230-50/60HZ<br>CONTACTEUR 230-50/60HZ  |  |
| 13 | DEI4     | CONTATTO AUSILIARIO (3RH1921-1DA11)<br>AUXILIARY CONTACT (3RH1921-1DA11)  |  |
| 15 | 231014   | SONDA TEMPERATURA GET-5<br>TEMP. PROBE<br>KUGEL<br>SONDE  |  |
| 16 | 80933    | CAVO FLAT COMANDI SUPERIORI CAPOT<br>CABLE FLAT CAPOT<br>KABEL FLAT<br>TRISSE LIAISON   |  |
| 17 | 80900    | TASTIERA COMANDI PER LAVASTOVIGLIE<br>CONTROL KEYBOARD FOR DISHWASHERS<br>BEDINGUNGEN-TESTENBRETT FUER GESHIRRSPUE<br>TABLEAU A POUSSOIRS COMMANDES POUR LAVE |  |
| 18 | 419036   | DISTANZIALE M3<br>INTERFACE BOARD DISTANCE KEEPERS<br>ABSTANDSROHR<br>ENTRETOISE X CARTE ELECTRONIQUE   |  |
| 19 | 417119   | DADO M3 PLASTICA BIANCO<br>NUT M3 NYLON<br>MUTTER M3 NYLON<br>ECROU M3 NYLON  |  |
| 20 | 41511    | POLIESTERE LOD 202-302-304-305  |  |

|    |       |   |  |
|----|-------|---|--|
| 22 | 69810 | TENDINA COPERTURA TASTIERA PANNELLO<br>CURTAIN<br>VORHANG<br>RIDEAU |  |
|----|-------|---|--|

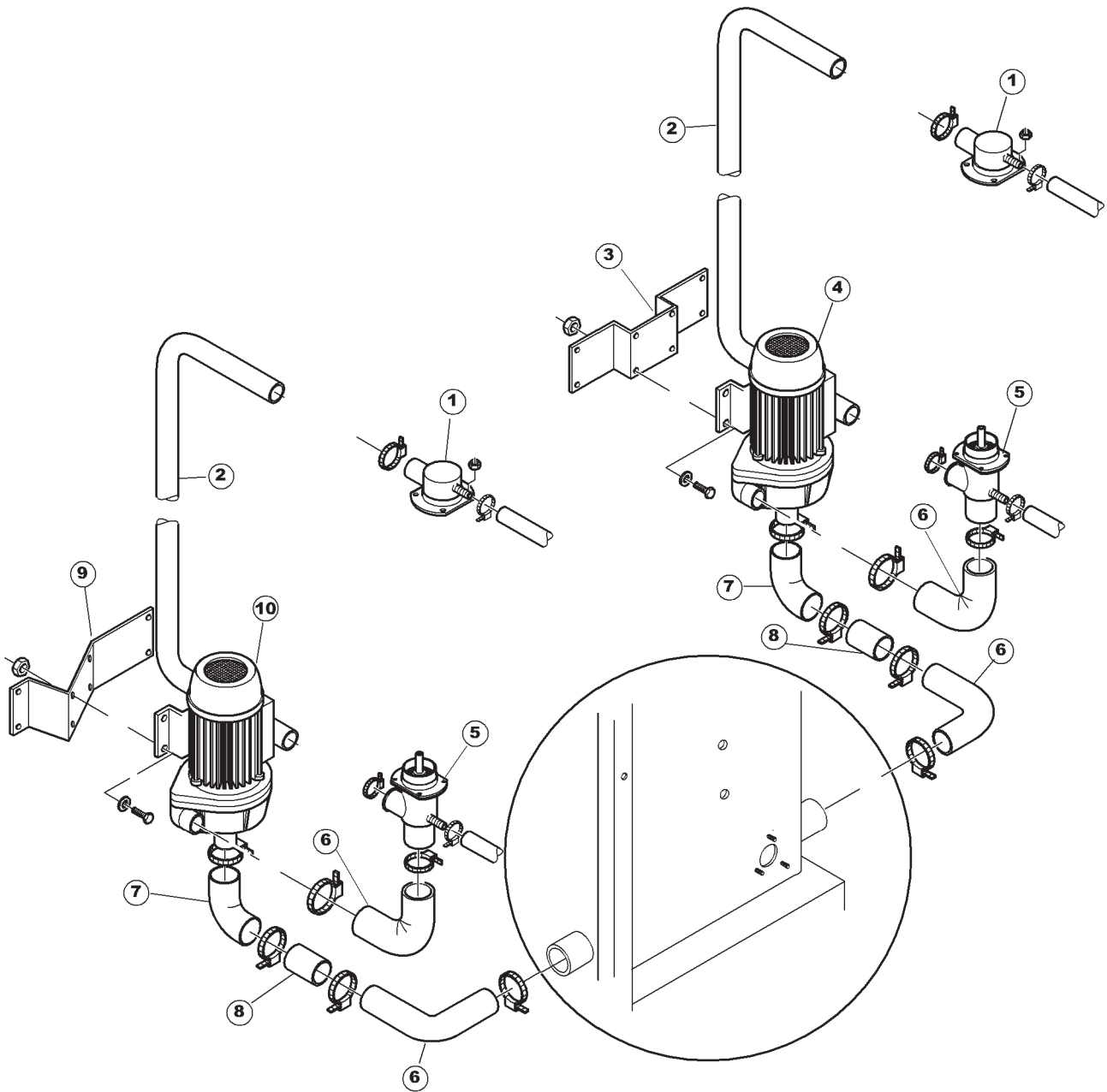




## Pagina 3

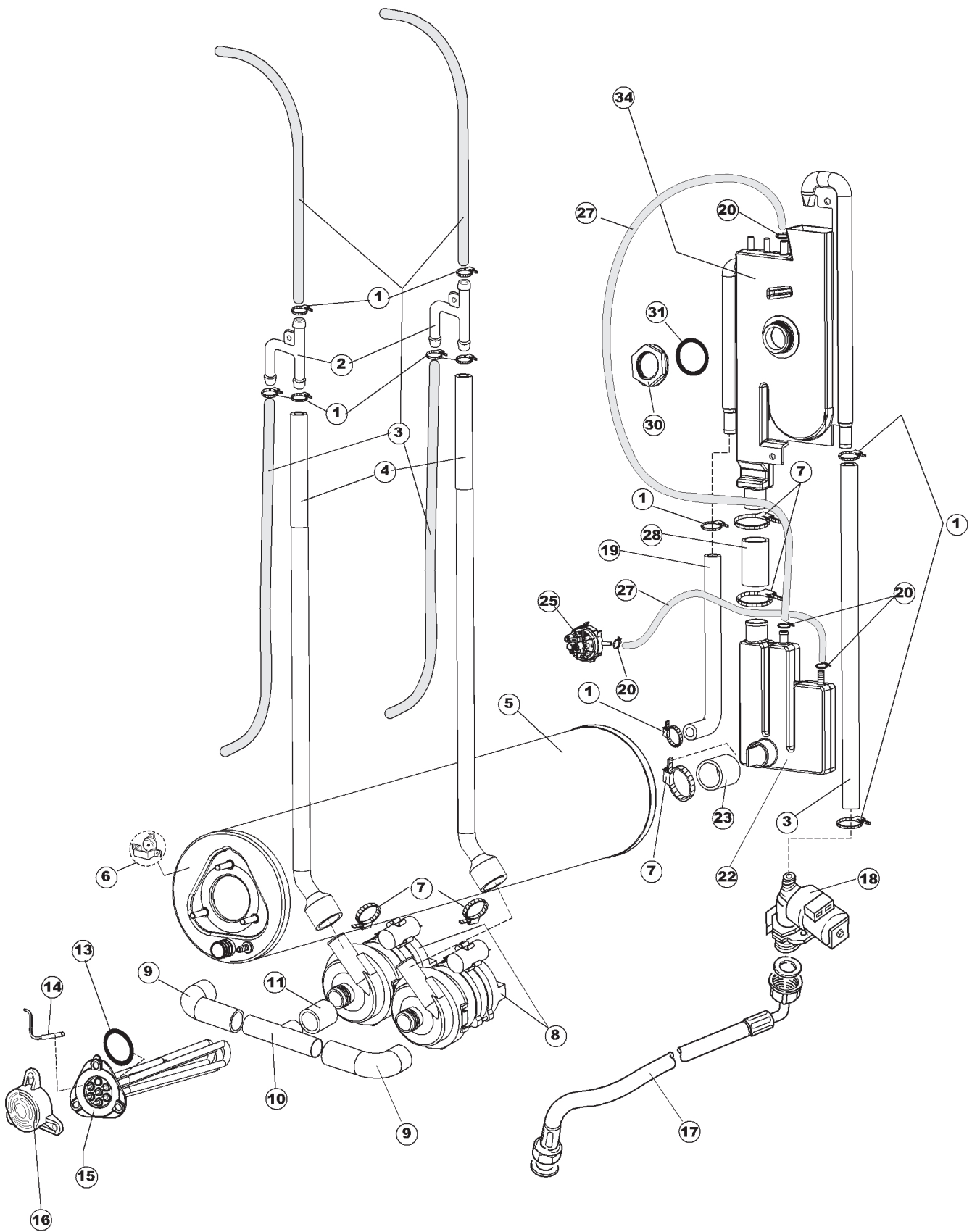
|    |          |  |          |
|----|----------|--|----------|
| 1  | 43039    | FILTRO VASCA COMPLETO PER LAVAPENTOLE<br>TANK FILTER, ASSY FOR POT AND PAN WASHER<br>TANKSIEB, KOMPLETT FUER KOCHTOEPFESPUELE<br>FILTRE CUVE COMPLET POUR LAVE-CASSEROLES    |          |
| 2  | 43044    | FILTRO VASCA A CASSETTO COMPLETO PER<br>TANK FILTER, ASSY FOR POT AND PAN WASHER<br>TANKSIEB, KOMPLETT FUER KOCHTOEPFESPUELE<br>FILTRE CUVE COMPLET POUR LAVE-CASSEROLES     |          |
| 3  | 472061   | RONDELLA X GUIDA CESTO CL.3<br>FIXING WASHER (RACK TRACK)<br>UNTERLEGSCHIBE BEFESTIGUNG KORBFUEHRUNG<br>RONDELLE FIX. GLISSIERES PN X3                                       |          |
| 4  | 42092    | GUIDA FILTRO ASPIRAZIONE PER LAVAPENTOLE<br>ASPIRATION FILTER SLIDE FOR POT AND PAN<br>ABSAUGSPUMPENSIEB FUER KOCHTOEPFESPUELER<br>GUIDE FILTRE ASPIRATION POUR LAVE-CASSER  |          |
| 5  | 42089    | FILTRO ASPIRAZIONE POMPA PER LAVAPENTOLE<br>ASPIRATION PUMP FILTER FOR POT AND PAN W<br>ABSAUGSPUMPENSIEB FUER KOCHTOEPFESPUELER<br>FILTRE ASPIRATION POMPE POUR LAVE-CASSER |          |
| 6  | 42181    | TROPPOPIENO IN ACCIAIO INOSSIDABILE, COM<br>STAINLESS STEEL OVERFLOW PIPE FOR POT AN<br>UEBERLAUFROHR AUS NICHTRSOTENDEM STAHL F<br>TROPPEIN EN ACIER INOXYDABLE , COMPLET   |          |
| 7  | 42185    | PILETTA COMPLETA IN ACCIAIO INOSSIDABILE<br>DRAIN PIPE, ASSY -STAINLESS STEEL- 1"1/<br>ABFLUSSROHR, KOMPLETT AUS NICHT ROSTENDE<br>TUYAU DE DRAINAGE COMPLET EN ACIER INOXY  |          |
| 8  | 926049   | PRESSOSTATO TIPO 180-70<br>PRESSURE SWTCH TYPE 180-70 (S6533)<br>DRUCKWAECHTER TYP 180-70<br>PRESSOSTAT TYPE 180-70  |          |
| 9  | 143253   | TUBO SILICONE 3X8<br>SILICON PIPE 3X8<br>SILIKONSCHLAUCH 3X8<br>TUYAU SILICONE 3X8   |          |
| 10 | 456002   | O-RING PER RESISTENZA BOILER<br>O-RING FOR BOILER RESISTANCE (S6218)<br>O-RING FUER HEIZUNG DES WARMWASSER- BERE<br>O-RING RESISTANCE SURCHAUFFEUR                           |          |
| 11 | 80398    | RESISTENZA 9500W 230/400V<br>HEATING ELEMENT 9500W 230/400V<br>HEIZUNG 9500 230/400V<br>RESISTANCES 9500W 230/400V   |          |
| 12 | 209022   | DOSAT PERIST.DETERGENTE NON REG.<br>PERISTALTIC DISPENSER<br>PERISTALTJSCHES DOSIERGERAET<br>DOSEUR PERISTALTIQUE  | Optional |
| 13 | 209024   | DOSAT PERIST.BRILLANTANTE NON REG.<br>PERISTALTIC DISPENSER<br>PERISTALTJSCHES DOSIERGERAET<br>DOSEUR PERISTALTIQUE  | Optional |
| 14 | H.775601 | TUBO 4x6 CRISTAL BLUE (FX NUOVA)<br>BLUE HOSE 4X6<br>LEITUNG 4x6 CRISTAL BLUE<br>TUYAU 4x6 CRISTAL BLUE  |          |
| 15 | 468200   | RACCORDO ACCIAIO INOX AISI316 1/8"<br>STAINLESS STEEL CONNECTION AISI316 1/8"<br>ANSCHLUSSSTUECK AUS NICHTROSTENDEM STAHL<br>RACCORD EN ACIER INOXYDABLE 1/8"                |          |
| 16 | 468201   | RACCORDO CALZATUBO PER INIEZ.BRILL.<br>CONNECTION<br>ANSCHLUSS<br>RACCORD  |          |
| 17 | 143005   | TUBO IN GOMMA TELATA 5X12 NERO<br>LINEN RUBBER PIPE 5X12 - BLACK<br>SCHLAUCH AUS LINENGUMMI 5X12 - SCHWARZ<br>TUYAU EN CAOUTCHOUC LIN 5X12 NOIR                              |          |

|    |          |  |  |
|----|----------|--|--|
| 18 | 423010   | FASCETTA A VITE TORRO W2 8 -12/7<br>SCREW-CLAMP TORRO W2 8-12/7<br>SCHRAUBE-SHELLE TORRO W2 8-12/7<br>COLLIER A VIS TORRO W2 8-12/7  |  |
| 19 | 121075   | FILTRO PER POMPA DETERSIVO<br>DETERGENT PUMP FILTER (S6754)<br>SIEB FUER SPUELMITTELpumpe<br>FILTRE POUR POMPE DETERGENT   |  |
| 20 | SPP4     | TUBO IN PLASTICA 4X6<br>PLASTIC HOSE 4X6<br>PLASTIKSCHLAUCH 4X6<br>TUYAU EN PLASTIQUE 4X6  |  |
| 21 | 468151   | RACCORDO IN ACCIAIO INOSSIDABILE DI ENTR<br>STAINLESS STEEL INLET DETERGENT ELBOW, A<br>ANSCHLUSSSTUECK AUS NICHTROSTENDEM STAHL<br>RACCORD EN ACIER INOXYDABLE ENTREE' DETE |  |
| 22 | CFF10073 | FASCETTA A FILO 10073<br>COLLIER DE SERRAGE EN FIL D'ACIER 10073<br>SCHLAUGSCHELLE AUS DRAHT 10073<br>WIRE HOSECLAMP 10073   |  |
| 23 | 417120   | DADO PLASTICA GRIGIO<br>PLASTIC NUT<br>KUNSTSTOFFMUTTER 1-1/4<br>ECROU EN PLASTIQUE  |  |
| 24 | 437098   | GUARNIZIONE NUOVA CAMP.PRESS.<br>PACKING FOR AIR TRAP OF PRESSURE SWITCH<br>DICHTUNG FUER WINDKESSEL DES DRUECKWVAEC<br>JOINT PRISE D'AIRE PRESSOSTAT                        |  |
| 25 | 107012   | CAMPANA PRESSOSTATO (L) RV40-50-CAPOTE<br>AIR TRAP<br>WINDKESSEL<br>PRISE D'AIR  |  |



## Pagina 4

|    |         |  |  |
|----|---------|--|--|
| 1  | 4205901 | RACCORDO LANCIA DI LAVAGGIO SUPERIORE,<br>CONNECTION WASH ARM - UPPER, ASSY FOR PO<br>WASCHARMVERBINDUNGSSTUECK - OBEN - FUER<br>RACCORD RAMPE DE LAVAGE SUPERIEUR, COMPL    |  |
| 2  | 43555   | TUBO<br>PIPE<br>ROHR<br>TUYAU  |  |
| 4  | 929174  | ELETTROPOMPA 4HP 230/400-50<br>ELECTROPUMP 4HP 230/400-50 (2250/C)<br>MOTORPUMPE 4HP 230/400-50<br>MOTOPOMPE 4HP 230/400-50  |  |
| 5  | 4206301 | RACCORDO LANCIA DI LAVAGGIO INFERIORE PE<br>WASH-ARM CONNECTION - LOWER - FOR POT AN<br>ANSCHLUSSTUECK FUER WASCHARM - UNTEN - K<br>RACCORD RAMPE DE LAVAGE INFERIEURE POUR  |  |
| 6  | 929164  | GOMITO IN GOMMA P2703 SAIAG<br>RUBBER ELBOW HOSE P2703 SAIAG (A2149)<br>SCHLAUCHBOGEN AUS GUMMI P2703 SAIAG<br>DURITE'A COUDE EN CAOUTCHOUC P703 SAIAG                       |  |
| 7  | 929056  | DISTRIBUZIONE IN PLASTICA CON SISTEMA<br>PLASTIC WASH-DISTRIBUTION WITH ANTI-STEAM<br>WASCHVERTEILUNG AUS PLASTIK MIT GEGEN-<br>DISTRIBUTION LAVAGE EN PLASTIQUE AVEC        |  |
| 8  | 929165  | TRONCHETTO IN ACCIAIO INOSSIDABILE D60 M<br>STAINLESS STEEL PIPE D60 MM.92<br>SCHLAUCHSTUECK AUS NICHTROSTENDEM STAHL<br>PIECE TUYAU EN ACIER INOXYDABLE D60 MM.9            |  |
| 9  | 42316   | SUPPORTO POMPA DI RISCIAQUO PER LAVAPEN<br>RINSE AID PUMP SUPPORT FOR POT AND PAN W<br>HALTER FUER NACHSPULUNGSPUMPE FUER KOCHT<br>SUPPORT POMPE DE RINCAGE POUR L'AVE-CASSE |  |
| 10 | 929175  | ELETTROPOMPA 4HP 230/400-50<br>ELECTROPUMP 4HP 230/400-50 (2250/C)<br>MOTORPUMPE 4HP 230/400-50<br>MOTOPOMPE 4HP 230/400-50  |  |

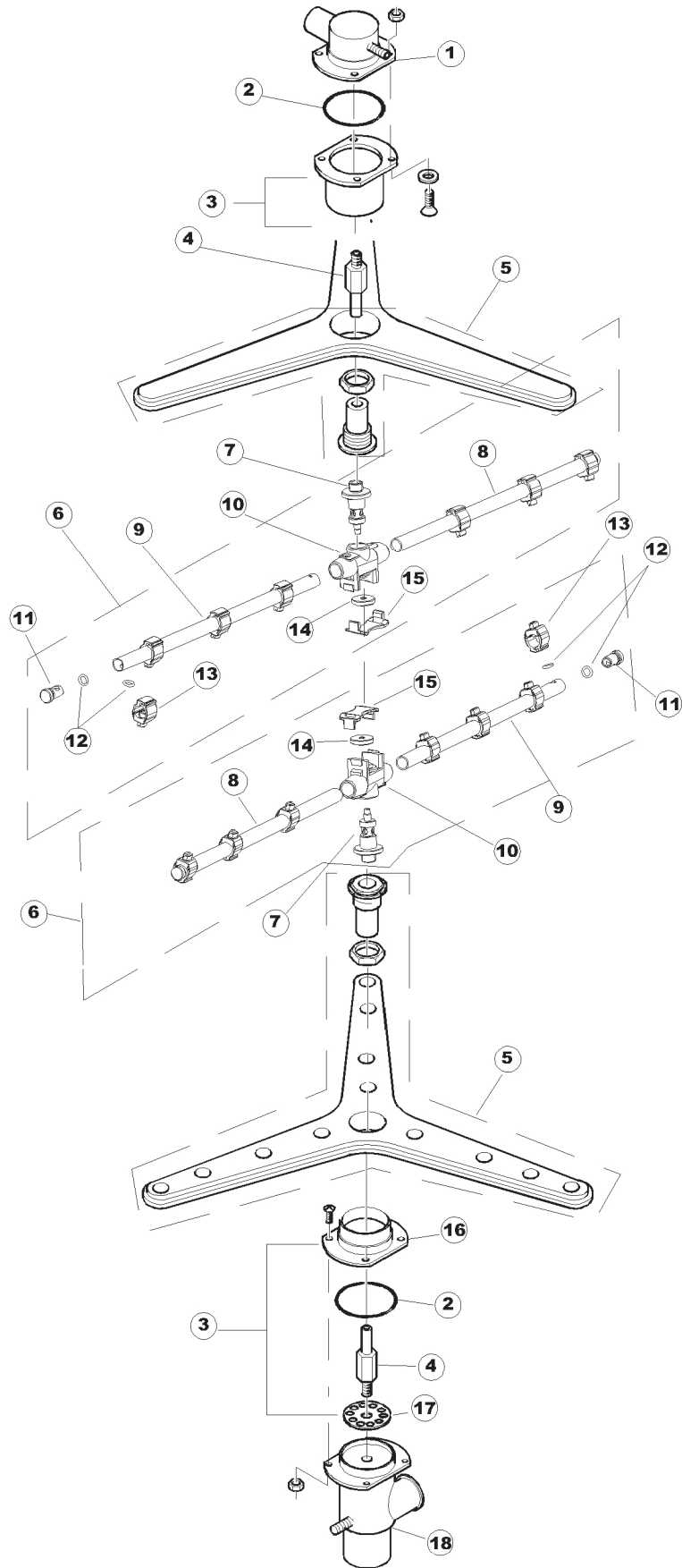


## Pagina 5

|    |        |  |  |
|----|--------|--|--|
| 1  | 927322 | FASCETTA NASTRO 12-22<br>TAPE CLAMP 12-22<br>BANDSCHELLE 12-22<br>COLLIER POUR BANDE 12-22   |  |
| 2  | 143173 | GIUNZIONE DI RISCIAQUO<br>Y-JUNCTION RINSE MANIFOLD<br>Y-STUECK<br>RACCORD DE RINAGE   |  |
| 3  | 143010 | TUBO IN GOMMA 12X19,5<br>RUBBER PIPE 12X19,5<br>GUMMISCHALUCH 12X19,5<br>TUYAU EN CAOUTCHOUC 12X19,5   |  |
| 4  | 41525  | TUBO MANDATA RISCIAQUO (CRP)<br>RINSE DELIVERY TUBE(CRP)<br>NACHSPUEL-FOERDERLEITUNG (CRP)<br>TUYAU DE REFOULEMENT RINAGE (CRP)  |  |
| 5  | 43550  | BOILER 17 LITRI  |  |
| 6  | 926189 | TERMOSTATO DI SICUREZZA A CONTATTO (2360)<br>CONTACT SAFETY-THERMOSTAT (REPLACES FORM<br>KONTAKT-SICHERUNGSTHERMOSTAT (236039)<br>THERMOSTAT DE SURETE' A CONTACT (236039) |  |
| 7  | CFS18  | FASCETTA A VITE TORRO 20-32/9<br>CLAMP 20-32/9<br>SCHELLE<br>COLLIER 20-32/9   |  |
| 8  | 80627  | ELETTROPOMPA 200W 230V-1PH-50HZ<br>PUMP<br>PUMPE<br>POMPE  |  |
| 9  | 43565  | TUBO<br>PIPE<br>ROHR<br>TUYAU  |  |
| 10 | 43560  | MANICOTTO INOX<br>COUPLING<br>MUFFE<br>MANCHON   |  |
| 11 | 43564  | MANICOTTO<br>COUPLING<br>MUFFE<br>MANCHON  |  |
| 13 | 456002 | O-RING PER RESISTENZA BOILER<br>O-RING FOR BOILER RESISTANCE (S6218)<br>O-RING FUER HEIZUNG DES WARMWASSER- BERE<br>O-RING RESISTANCE SURCHAUFFEUR                         |  |
| 14 | 231014 | SONDA TEMPERATURA GET-5<br>TEMP. PROBE<br>KUGEL<br>SONDE   |  |
| 15 | 80398  | RESISTENZA 9500W 230/400V<br>HEATING ELEMENT 9500W 230/400V<br>HEIZUNG 9500 230/400V<br>RESISTANCES 9500W 230/400V   |  |
| 16 | 467002 | PROTEZIONE RESISTENZA BOILER<br>BOILER HEATING ELEMENT PROTECTION<br>HEIZUNGSSCHUETZ DES WARMWASSERBEREITERS<br>PROTECTION RESISTANCE BOILER                               |  |
| 17 | 929169 | TUBO DI CARICO TERMOPLASTICO VDE (3/4 X<br>THERMOPLASTIC INLET HOSE VDE (A2096)<br>THERMOPLASTISCHER ZULAUFSCHLAUCH VDE<br>TUYAU DE CHARGEMENT THERMOPLASTIQUE VDE         |  |
| 18 | 240018 | ELETTROVALVOLA DI CARICO - 1 VIA CRP<br>ONE-WAY "CRP" FILL SOLENOID VALVE<br>"CRP" WASSERZUFUHR-EINWEGMAGNETVENTIL<br>ELECTROVANNE D'ALIMENTATION "CRP"                    |  |

|    |        |   |  |
|----|--------|---|--|
| 19 | 127098 | MANICOTTO SFIATO BOILER CRP->BT<br>COUPLING LA50<br>MUFFE LA50<br>MANCHON LA50  |  |
| 20 | 423010 | FASCETTA A VITE TORRO W2 8 -12/7<br>SCREW-CLAMP TORRO W2 8-12/7<br>SCHRAUBE-SHELLE TORRO W2 8-12/7<br>COLLIER A VIS TORRO W2 8-12/7             |  |
| 22 | 144027 | SISTEMA CARICAMENTO CRP<br>PLASTIC AIRGAP<br>AIR GAP GEOFFNETER BEHAELTER   |  |
| 23 | 127095 | MANICOTTO BOILER->SISTEMA CRP   |  |
| 25 | 224002 | PRESSOSTATO 110-60<br>PRESSURE SWTCH TYPE 110-60<br>DRUCKWAECHTER 110/60<br>PRESSOSTAT 110/60   |  |
| 27 | 143005 | TUBO IN GOMMA TELATA 5X12 NERO<br>LINEN RUBBER PIPE 5X12 - BLACK<br>SCHLAUCH AUS LINENGUMMI 5X12 - SCHWARZ<br>TUYAU EN CAOUTCHOUC LIN 5X12 NOIR |  |
| 28 | 929171 | TUBO IN GOMMA 20X30<br>RUBBER PIPE 20X30<br>GUMMISCHALUCH 20X30<br>TUYAU EN CAOUTCHOUC 20X30  |  |
| 30 | 417125 | DADO IN PLAST.CON COLLARE(171571)<br>NUT<br>MUTTER<br>ECROU   |  |
| 31 | 437104 | GUARNIZIONE D45D33S2 EPDM 70SH<br>RUBBER GASKET<br>DICHTUNG<br>JOINT  |  |
| 34 | 144021 | AIRGAP SPECIALE LA50<br>PLASTIC AIRGAP<br>AIR GAP GEOFFNETER BEHAELTER<br>AIRGAP SPECIAL LA50   |  |

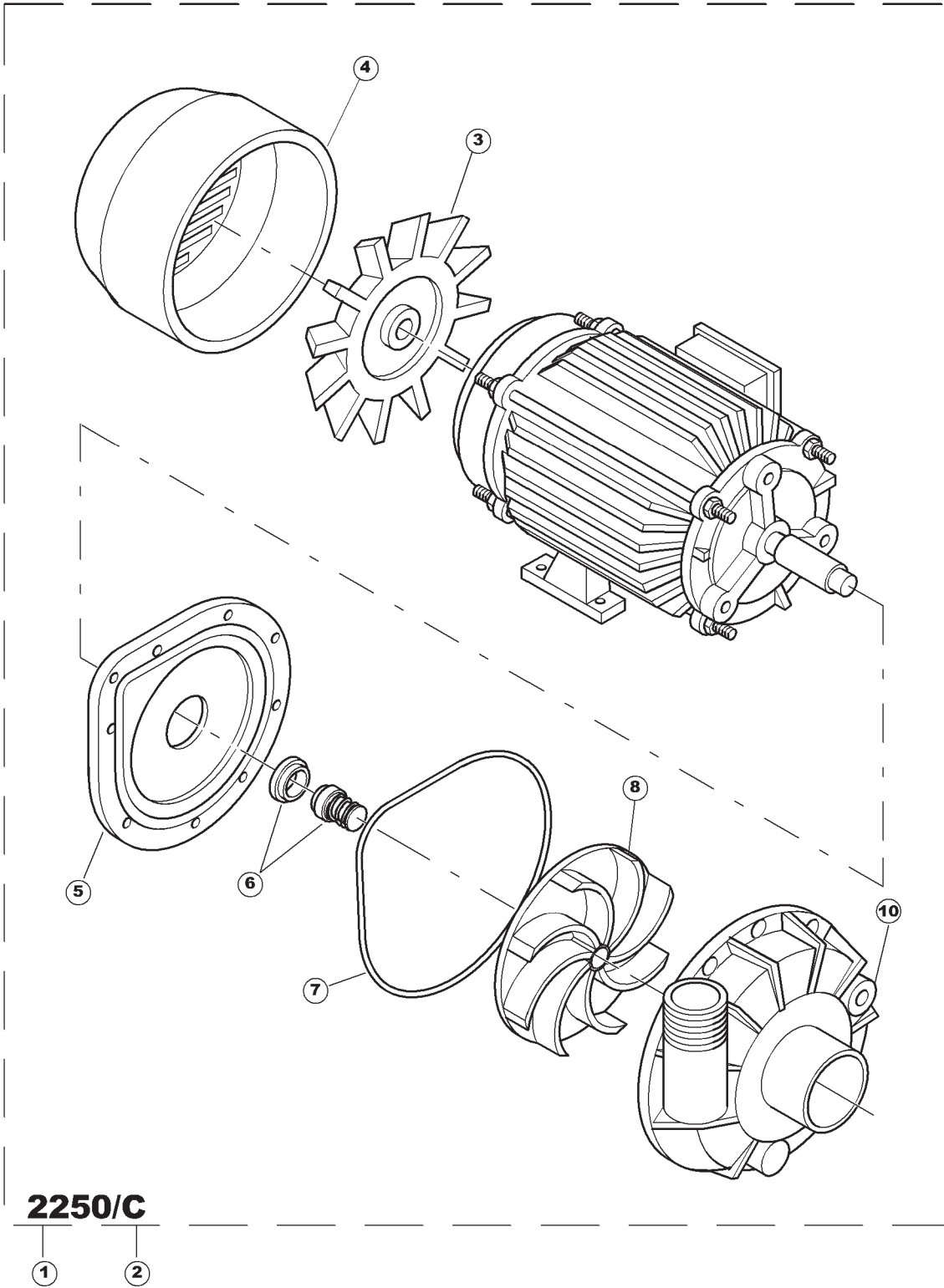




## Pagina 6

|    |         |  |  |
|----|---------|--|--|
| 1  | 4205901 | RACCORDO LANCIA DI LAVAGGIO SUPERIORE,<br>CONNECTION WASH ARM - UPPER, ASSY FOR PO<br>WASCHARMVERBINDUNGSSTUECK - OBEN - FUER<br>RACCORD RAMPE DE LAVAGE SUPERIEUR, COMPL    |  |
| 2  | 926252  | O-RING 4275/3.53 (69,44X3,53NBR)<br>O-RING 4275/3.35 (69,44X3,53 NBR)<br>DICHRING 4275/3.53 (69,44X3,53 NBR)<br>BAGUE D'ETANCHEITE' 4275/3.53 (69,44X3,5                     |  |
| 3  | 41064CP | CONTROFLANGIA SUPPORTO LANCIA DI LAVAGGI<br>SUPPORT COUNTER-FLANG OF WASH ARM OF POT<br>GEGENFLANSCH DES HALTERS FUER WASCHARM D<br>CONTRE-BRIDE SUPPORT RAMPE DE LAVAGE POU |  |
| 4  | 42053   | PERNO LANCIA DI LAVAGGIO INFERIORE PER<br>PIN FOR LOWER WASH ARM FOR POT AND PAN W<br>ZAPPEN FUER WASCHARM - UNTEN FUER KOCHTO<br>PIVOT POUR RAMPE DE LAVAGE INFERIEURE PO   |  |
| 5  | 929196  | LANCIA DI LAVAGGIO A 3 BRACCI GIREVOLE G<br>ROTATING WASHING UNIT WITH 3 ARMS - BIG<br>DREHWASCHHEINHEIT MIT 3 ARMEN - GROSS - F<br>TOURNIQUET DE LAVAGE A 3 BRAS GRAND POUR |  |
| 6  | 42211   | LANCIA GIREVOLE DI RISCIAQUO PER LAVAPE<br>ROTATING WASH ARM FOR POT AND PAN WASHER<br>DREHWASCHARM FUER KOCHTOEPFESPUELER<br>TOURNIQUET DE RINCAGE POUR LAVE-CASSEROL       |  |
| 7  | 80380   | PERNO LANCIA GIREVOLE<br>REVOLVING ARM SPINDLE<br>DREHARMSPINDEL<br>PIVOT DE TOURNIQUET  |  |
| 8  | 42208   | BRACCIO DESTRO RISCIAQUO LANCIA<br>RINSE ARM - RIGHT - FOR ROTATING WASH<br>BRAS DROIT DE RINCAGE TOURNIQUET POUR<br>NACHSPUELUNGSARM - RECHTS - FUER DREHWAS                |  |
| 9  | 42209   | BRACCIO SINISTRO RISCIAQUO LANCIA<br>RINSE ARM - LEFT - FOR ROTATING WASH<br>NACHSPUELUNGSARM - SX- FUER DREHWASCHARM<br>BRAS GAUCHE DE RINCAGE TOURNIQUET POUR              |  |
| 10 | 80371   | CORPO LANCIA GIR RISC<br>ARM BODY<br>KOERPER DES DREHWASCH-UND-NACHSPUELARMES<br>CORPS BRAS  |  |
| 11 | 926132  | TAPPO PL X BRACCIO DI RISC.(DWT312)<br>PLASTIC RINSE ARM CAP<br>ZAPPEN<br>EMBOUT EN PLASTIQUE POUR RAMPE DE RINC.  |  |
| 12 | 456060  | OR 2025<br>O-RING 2025<br>O-RING 2025<br>JOINT THORIQUE 2025   |  |
| 13 | 80373   | SPRUZZATORE RISCIAQUO<br>RINSE SPRAYER<br>NACHSPUELUNGS-SPRITZER<br>VAPORISATEUR RINCAGE   |  |
| 14 | 80365   | GHIERA PERNO IN ACCIAIO INOSSIDABILE PER<br>STAINLESS STEEL RING NUT FOR RINSE MANIF<br>EDELSTAHL NUTMUTTER DES NACHSPUEL-<br>EMBOUT FILET* EN ACIER INOX POUR PIVOT D       |  |
| 15 | 80374   | PONTICELLO RISC. + CORPO LANCIA 80371<br>BRACKET + ARM BODY 80371<br>BRUCHLEIN + KOERPER DES DREHWASCH<br>PONTET + CORPS BRAS 80371  |  |
| 16 | 41064   | CONTROFLANGIA SUPPORTO LANCIA DI LAVAGGI<br>SUPPORT COUNTER-FLANGE OF WASH ARM OF PO<br>GEGENFLANSCH DES HALTERS FUER WASCHARM D<br>CONTRE-BRIDE SUPPORT RAMPE DE LAVAGE POU |  |
| 17 | 41185   | PARZIALIZZATORE PER LAVAPENTOLE<br>REDUCER FOR POT AND PAN WASHER<br>VERMINDERER FUER KOCHTOEPFESPUELER<br>REDUCTEUR POUR LAVE-CASSEROLE                                     |  |

|    |         |   |  |
|----|---------|---|--|
| 18 | 4206301 | RACCORDO LANCIA DI LAVAGGIO INFERIORE PE<br>WASH-ARM CONNECTION - LOWER - FOR POT AN<br>ANSCHLUSSTUECK FUER WASCHARM - UNTEN - K<br>RACCORD RAMPE DE LAVAGE INFERIEURE POUR |  |
|----|---------|---|--|



## Pagina 7

|    |        |   |  |
|----|--------|---|--|
| 1  | 929174 | ELETTROPOMPA 4HP 230/400-50<br>ELECTROPUMP 4HP 230/400-50 (2250/C)<br>MOTORPUMPE 4HP 230/400-50<br>MOTOPOMPE 4HP 230/400-50                                       |  |
| 2  | 929175 | ELETTROPOMPA 4HP 230/400-50<br>ELECTROPUMP 4HP 230/400-50 (2250/C)<br>MOTORPUMPE 4HP 230/400-50<br>MOTOPOMPE 4HP 230/400-50                                       |  |
| 3  | 929189 | VENTOLA PER ELETTROPOMPA 2250<br>WASHPUMP FAN 2250<br>LAUFRAD FUER MOTORPUMPE 2250<br>HELICE POUR MOTOPOMPE 2250  |  |
| 4  | 929188 | COPRIVENTOLA PER ELETTROPOMPA 2250<br>ELECTROPUMP FAN COVER 2250<br>LAUFRAD-DECKEL FUER MOTORPUMPE 2250<br>COUVRE-HELICE POUR MOTOPOMPE 2250                      |  |
| 5  | 929190 | FLANGIA PER ELETTROPOMPA 2250<br>ELECTROPUMP FLANGE 2250<br>FLANSCH FUER MOTORPUMPE 2250<br>BRIDE POUR MOTOPOMPE 2250   |  |
| 6  | 929179 | TENUTA MECCANICA PER ELETTROPOMPA 2250<br>WASHPUMP SHAFT SEAL FOR ELECTROPUMP 2250<br>MECHANISCHE DICHTUNG FUER MOTORPUMPE 225<br>ETANCHEITE' POUR MOTOPOMPE 2250 |  |
| 7  | 929180 | GUARNIZIONE PER ELETTROPOMPA 2250<br>ELECTROPUMP PACKING 2250<br>DICHTUNG FUER MOTORPUMPE 2250<br>JOINT POUR MOTOPOMPE 2250                                       |  |
| 8  | 929181 | GIRANTE PER ELETTROPOMPA 2250/75-2250<br>ELECTROPUMP IMPELLER 2250/75-2250<br>FLUEGELRAD FUER MOTORPUMPE 2250/75- 22<br>TURBINE POUR MOTOPOMPE 2250/75-2250       |  |
| 10 | 929191 | CHIOCCIOLA PER ELETTROPOMPA 2290/2250<br>ELECTROPUMP 2290/2250<br>PUMPENGEHAEUSE 2290/2250<br>VOLUTE POUR MOTOPOMPE 2290/2250                                     |  |