

**M B M**

**SPARE PARTS CATALOGUE  
ERSATZTEILKATALOG  
CATALOGUE PIECES DETACHEES  
CATALOGO PARTI RICAMBIO  
CATALOGO DE PIEZAS DE RECAMBIO  
CATALOGO PEÇAS DE REPOSICAO**

**LOD 102**

**23-06-2011**

# LOD 102

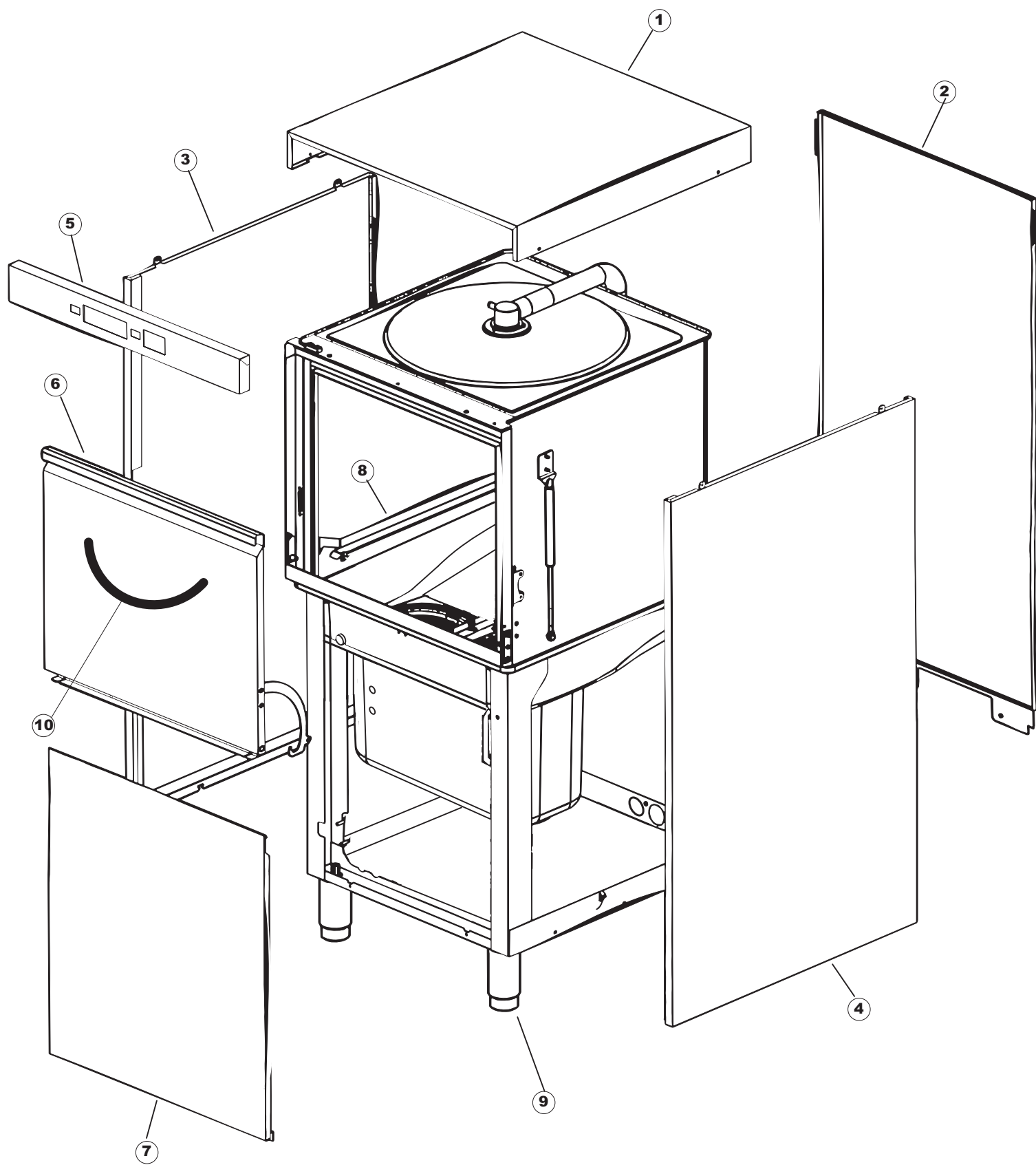
Tav.1: Carrozzeria  
Tav.2: Impianto elettrico  
Tav.3: Componenti in vasca  
Tav.4: Circuito di lavaggio  
Tav.5: Circuito di risciacquo  
Tav.6: Lance di lavaggio  
Tav.7: Pompa di lavaggio  
Tav.8: Pompa di scarico

Tav.1: Machine body  
Tav.2: Electrical components  
Tav.3: Components in the tank  
Tav.4: Washing circuit  
Tav.5: Rinsing circuit  
Tav.6: Washing arms  
Tav.7: Washing pump  
Tav.8: Draining pump

Tab.1: Carrocería  
Tab.2: Instalación eléctrica  
Tab.3: Componentes en cuba  
Tab.4: Circuito de lavado  
Tab.5: Circuito d'enjuague  
Tab.6: Brazos de lavado  
Tab.7: Bomba de lavado  
Tab.8: Bomba de descarga

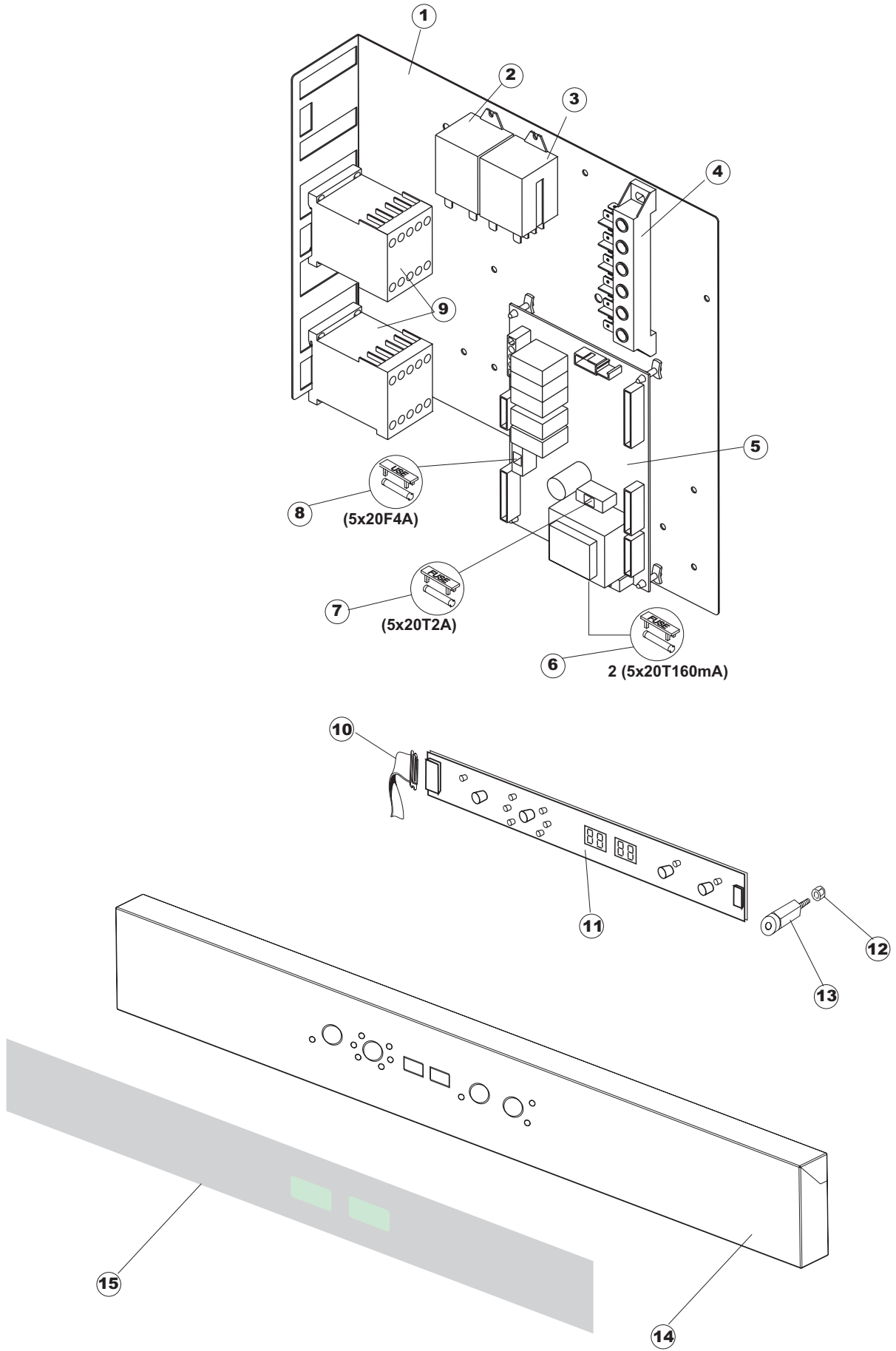
Tab.1: Carrosserie  
Tab.2: Installation électrique  
Tab.3: Composants de cuve  
Tab.4: Circuit de lavage  
Tab.5: Circuit de rinçage  
Tab.6: Bras de lavage  
Tab.7: Pompe de lavage  
Tab.8: Pompe de vidange

Taf.1: Verkleidung  
Taf.2: Elektrische Anlage  
Taf.3: Bauteile im Waschtank  
Taf.4: Spuelschaltung  
Taf.5: Nachspuelschaltung  
Taf.6: Wascharmee  
Taf.7: Spuelpumpe  
Taf.8: Laugenpumpe



# Pagina 1

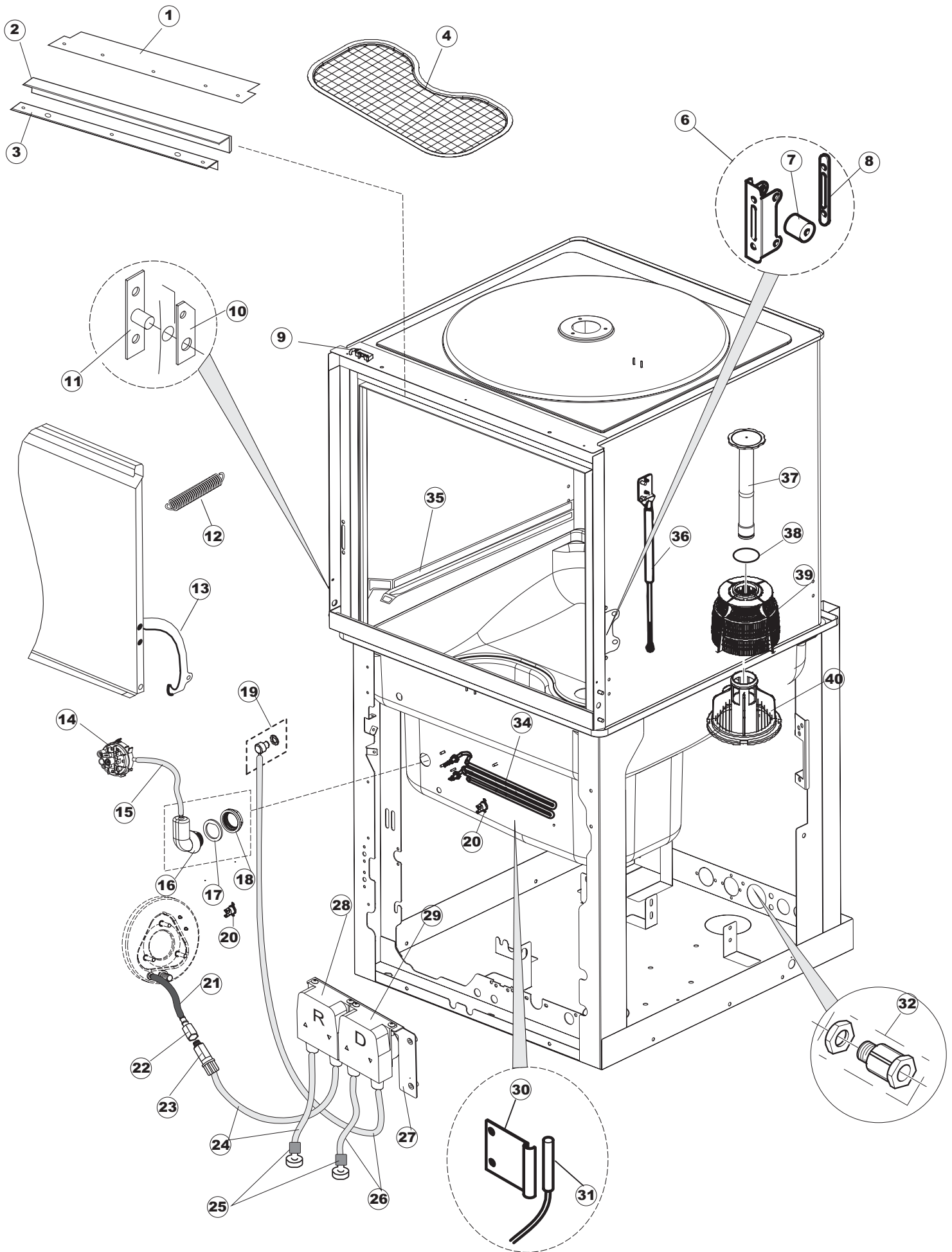
1	35030	CAPPELLO RV71 COVER RV71 DECKEL RV71 COUVERTURE RV71 CAPERUZA RV71	
2	35045	PANNELLO POSTERIORE PIEGATO FINITO REAR PANEL RUECKWANDVERKLEIDUNG PANNEAU ARRIERE PANEL TRASERO PLEGADO ACABADO	
3	35040	PANNELLO LATERALE SX PIEGATO FINITO SIDE PANEL LEFT SEITNES PANEEL LINKS PANNEAU LATERERER GH. PANEL LATERAL IZQDO. PLEGADO ACABADO	
4	35035	PANNELLO LATERALE DX PIEGATO FINITO RH SIDE PANEL PG FINISHED SEITENPANEEL RECHTS GEBOG. FERTIG PANNEAU LATÉRAL DT PL FINI PANEL LATERAL DCHO. PLEGADO ACABADO	
5	35605	CRUSCOTTO PT710 PIEGATO FINITO CRUSCOTTO PT710 PIEGATO FINITO CONTROL PANEL PT710 STIRNBRETT PT710 PANEL PT710 PLEGADO ACABADO	
6	35024	PORTA COMPLETA COMPLETE DOOR TUER, KOMPLETT PORTE COMPLETE PUERTA COMPLETA	
7	35050	PANEL, FRONT NEUTRO PIEGATO FINITO FRONT PANEL, NEUTRAL BENT FINISHED FRONTPLATE, NEUTR. GEBOG. MASCHINENFERTIG PANN. FRONT NEUTRE BOMBE FINI PANEL, FRONT NEUTRO PLEGADO ACABADO	
8	35500	GUIDA DX/SX GESTELLO LP92 PIEGATO FINITO	
9	927006	PIEDE REGOLABILE X TRAINO FOOT, ADJUST. FOR TACK CONVEYOR VERSTELLFUSS FÜR KORBTR. PIED REGLABLE POUR AVANC. PATA REGULABLE X ACCION.	
10	41275	MANIGLIA INOX (AD ARCO)  MANIJA INOX (ARQUEADA)	



## Pagina 2

1	80459	PANNELLO PROTACOMPONENTI CAPOT PIEGATA FINITA PANEL PANEEL PANNEAU PANEL PORTACOMPONENTES CAPOT PG ACABADO	
2	DER111	RELE 30A 230AC 653182300300 RELAY 30A 230AC 653182300300 RELAIS 30A 230AC 653182300300 RELAIS 30A 230AC 653182300300 VER CODIGO 229029	
3	929115	RELE 16A 230V 62.82 RELAY 16A 230V 62.82 RELAIS 16A 230V 62.82 RELAIS 16A 230V 62.82 RELE 16A 230V 62. 82	
4	220011	* MORSETTIERA 5.POLI + TERRA FV.122 * TERMINAL BOARD, 5-POLES + EARTH FV.122 * KLEMMENBRETT, 5-POLIG + ERDUNG FV.122 * PLAQUE A BORNE 5POLES + TERRE FV.122 * BORNERO 5. POLOS + TIERRA FV. 122	
5	215032	SCHEDA ELETTRONICA GET50 MAIN BOARD KARTE CARTE ELECTRONIQUE TARJETA CHORROS50 MICRO 644	
6	228012	FUSIBILE 5X20 T160MA FUSE SICHERUNG FUSIBLE FUSIBLE 5X20 T160MA	
7	228011	FUSIBILE 5X20 T2A FUSE SICHERUNG FUSIBLE FUSIBLE 5X20 T2A	
8	228004	FUSIBILE 5X20 4A FAST FUSE, 5X20 4A FAST SICHERUNG, 5X20 4A FAST FUSIBLE 5X20 4A FAST FUSIBLE 5X20 4A FAST	
9	80350	CONTAT 230-50/60HZ 3RT1016-1AP01 CONTACT, 230-50/60HZ 3RT1016-1AP01 KONTAKT, 230-50/60HZ 3RT1016-1AP01 CONTACT 230-50/60HZ 3RT1016-1AP01 VER CODIGO 229037	
10	80933	CAVO FLAT COMANDI SUPERIORI CAPOT CABLE FLAT CAPOT FLACHKABEL TRISSE LIAISON CABLE FLAT MANDOS SUPERIORES CAPOT	
11	227084	PULSANTIERA 4 TASTI 2 DISPLAY X GET50 PUSH BUTTONS ASSEMBLY TASTENFELD TABLEAU DE PUSOIR BOTONERA 4 TECLAS 2 DISPLAY X GET50	
12	417119	DADO M3 PLASTICA BIANCO NUT, M3 PLASTIC WHITE SCHRAUBENMUTTER, M3 KUNST. WEISS ECROU M3 PLASTIQUE BLANC TUERCA M3 PLASTICO BLANCO	
13	419036	SPACER SPACER, M3 ABSTANDSSTÜCK, M3 ENTRETOISE M3 DISTANCIADOR M3	
14	35056	PANNELLO CRUSCOTTO LP92 COMPLETO PANEL, BOARD PANEL LP92 COMPLETE+J10680 PLATTE, BEDIENAFEL LP92 KOMPL.+J10680 TABLEAU PANNEAU FACADE LP92 COMPLET PANEL PANEL LP92 ACABADO	
15	35188	POLIESTERE  POLIESTER LOD102 MBM	





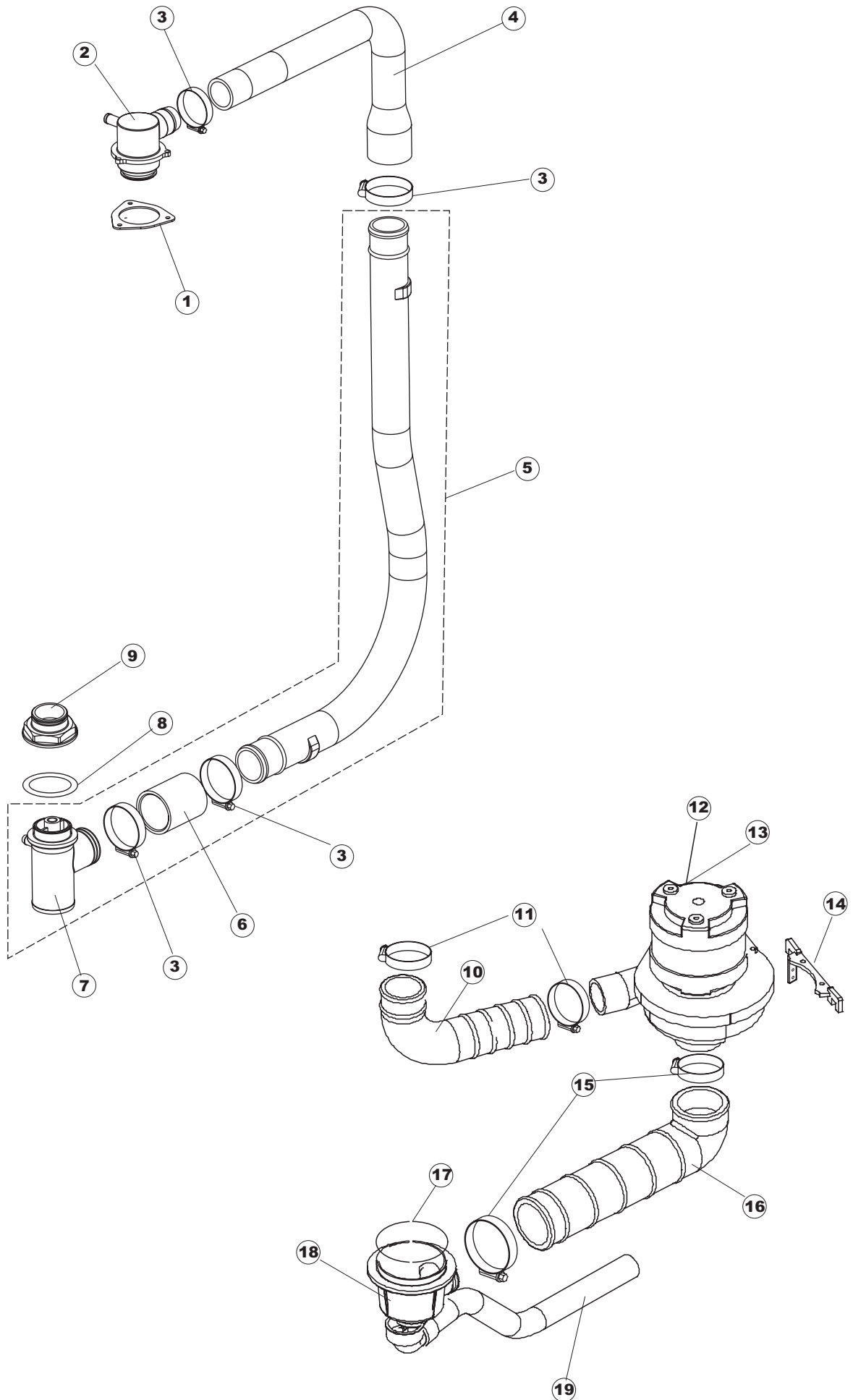


# Pagina 3

1	35005PZ	SQ.FISSAGGIO CRUSCOTTO LP92 LASERATO	
2	35017	GUARNIZIONE SPORTELLO LP92/GS60 L=626MM DOOR GASKET LP92/GS60 TUERDICHTUNG LP92/GS60 JOINT PORTE LP92/GS60 JUNTA PUERTA LP92/GS60 L=626MM	
3	35016	SQ. X GUARNIZIONE LP92 PIEGATO FINITO	
4	80235	FILTRO IN PLASTICA C/FORO CAPOT PLASTIC FILTER  FILTRE EN PLASTIQUE FILTRO DE PLASTICO C/AGUJERO CAPOT	
6	35300	KIT SOSTITUZIONE BATTUTA PORTA KIT KIT KIT KIT SUSTITUCION TOPE PUERTA	
7	35105	FINE CORSA INOX  FIN DE CARRERA INOX	
8	307012	GUIDA BATTUTA ASTA PORTA GRIGIO X5 GUIDE, DOOR ROD BUFFER, GREY X5 FÜHRUNG, ANSCHLAG TÜRSTANGE GRAU X5 GUIDE FEUILLURE BARRE PORTE GRIS X5 GUIA TOPE VARA PUERTA GRIS X5	
9	80871	MICRO MAGNETICO MAGNETIC DOOR SWITCH TUERKONTAKTSCHALTER CONTACTE MAGNETIQUE CONTACTO MAGNETICO	
10	35510	SPESSORE LATERALE SPORTELLO LP92 DOOR SIDE THICKNESS LP92 TUERDICKUNG SEITLICH LP92 EPAISSEUR LATERAL PORTE LP92 ESPESOR LATERAL PUERTA LP92	
11	35060	CERNIERA SPORTELLO LP92 HINGE LP92 SCHARNIER CHARNIERE LP92 BISAGRA PUERTA LP92	
12	35020	MOLLA SPORTELLO SPRING, DOOR FEDER, TÜR RESSORT VOLET MUELLE PUERTA	
13	35013	TIRANTE SPORTELLO LP92 LASERATO TIE-ROD, DOOR LP92 LASER-PROC. ZUGSTAB, TÜR LP92 GELASERT TIRANT VOLET LP92 USINE A LASER TIRANTE PUERTA LP92 LASERADO	
14	69850	PRESSOSTATO 45/22 PRESSURE SWITCH TYPE 45/22 DRUCKWAECHTER 45/22 PRESSOSTAT 45/22 PRESOSTATO CALIB.45/22	
15	143131	TUBO GOMMA PIPE SCHLAUCH FUER DRUCKSCHALTER TUYAU VER CODIGO 143005	
16	107012	CAMPANA PRESSOSTATO (L) RV40-50-CAPOTE AIR TRAP LUFTFALLE PRISE D'AIR CAMPANA PRESOSTATO (L) RV40-50-CAPOTA	

17	437098	GUARNIZIONE NUOVA CAMP.PRESS. PACKING FOR AIR TRAP OF PRESSURE SWITCH DICHTUNG FUER LUFTFALLE JOINT PRISE D'AIRE PRESSOSTAT JUNTA NUEVA CAMP.PRES.	
18	417120	DADO PLASTICA GRIGIO PLASTIC NUT KUNSTSTOFFMUTTER 1-1/4 ECROU EN PLASTIQUE TUERCA PLASTICO GRIS	
19	468151	RACCORDO ENTRATA SAPONE CPL NM * SALDATO UNION, EXTRA DET. CPL NM * WELDED TANKEINLAUF CPL NM* RACCORD ENTREE SAVON CPL NM * SOUDE EMPALME ENTRADA JABON CPL NM * SOLDADO	
20	926189	TERMOSTATO BOILER SIC.95ø THERMOSTAT, BOILER, SAF.95ø SICHERHEITSTHERMOSTAT BOILER 95° THERMOSTAT CHAUDIERE SEC. 95ø TERMOSTATO CALENTADOR SEG. 95ø	
21	143005	TUBO PRESS.TP 5x11 (CASER/15/NL C4N) PIPE, PRESSURE SWITCH TP 5x11 (CASER/15/NL C4N) SCHLAUCH TP 5X11 (CASER/15/NL C4N) TUYAU PRESS.TP 5x11 (CASER/15/NL C4N) TUBO PRES. TP 5x11 (CASER/15/NL C4N)	
22	468201	RACCORDO CALZATUBO PER INIEZ.BRILL. CONNECTION VERBINDER FUER SCHLAUCH TP 5X11 UND VENTIL 468200 RACCORD EMPALME CALZATUBO PARA INYECC. ABRILL.	
23	468200	RACCORDO ACCIAIO INOX AISI316 1/8" STAINLESS STEEL CONNECTION AISI316 1/8" VENTIL RACCORD EN ACIER INOXYDABLE 1/8" EMPALME ACERO INOX AISI316 1/8"	
24	H.775601	TUBO 4x6 CRISTAL BLUE PVC PIPE 4x6 CRISTAL BLUE PVC ROHR 4x6 CRISTAL BLAU PVC TUYAU 4x6 CRISTAL BLEU PVC TUBO 4x6 CRISTAL AZUL PVC	
25	121075	FILTRO ASPIR.INOX(775239-001) FILTER, SUCT.INOX (775239-001) FILTER, ABSAUG.INOX (775239-001) FILTRE ASPIR.INOX(775239-001) FILTRO ASPIR. INOX(775239-001)	
26	143194	TUBO 4x6 CRISTAL TRASPARENTE PIPE 4x6 CRISTAL, TRANSP. ROHR 4x6 CRISTAL, DURCHS. TUYAU 4x6 CRISTAL TRANSPARENT TUBO 4x6 CRISTAL TRASPARENTE	
27	80952	STAFFA COMPONENTI  SOPORTE DOSIFICADORES PG ACABADO	
28	209024	DOSAT.PERIST.BRILLANTANTE NON REG. PERISTALTIC DISPENSER PERISTALTISCHES DOSIERGERAET REINIGER DOSEUR PÉRISTALTIQUE DOSIFIC.PERIST. ABRILLANTADOR NO REG.	
29	209022	DOSAT.PERIST.DETERGENTE NON REG. PERISTALTIC DISPENSER PERISTALTISCHES DOSIERGERAET KLARSPUELER DOSEUR PÉRISTALTIQUE DOSSIFIC.PERIST.DETERGENTE NO REG.	
30	H.775489-001	CLIP SONDA TEMPERATURA D5 CLIP FOR TEMP.SENSOR D5 KLIPP FÜR TEMP.FÜHLER D5 CLIP SONDE TEMPERATURE D5 CLIP SONDA TEMPERATURA D5	
31	231016	SONDA TEMPERATURA TEMP. PROBE KUGEL SONDE SONDA TEMPERATURA (AMPOLLA ACERO)	

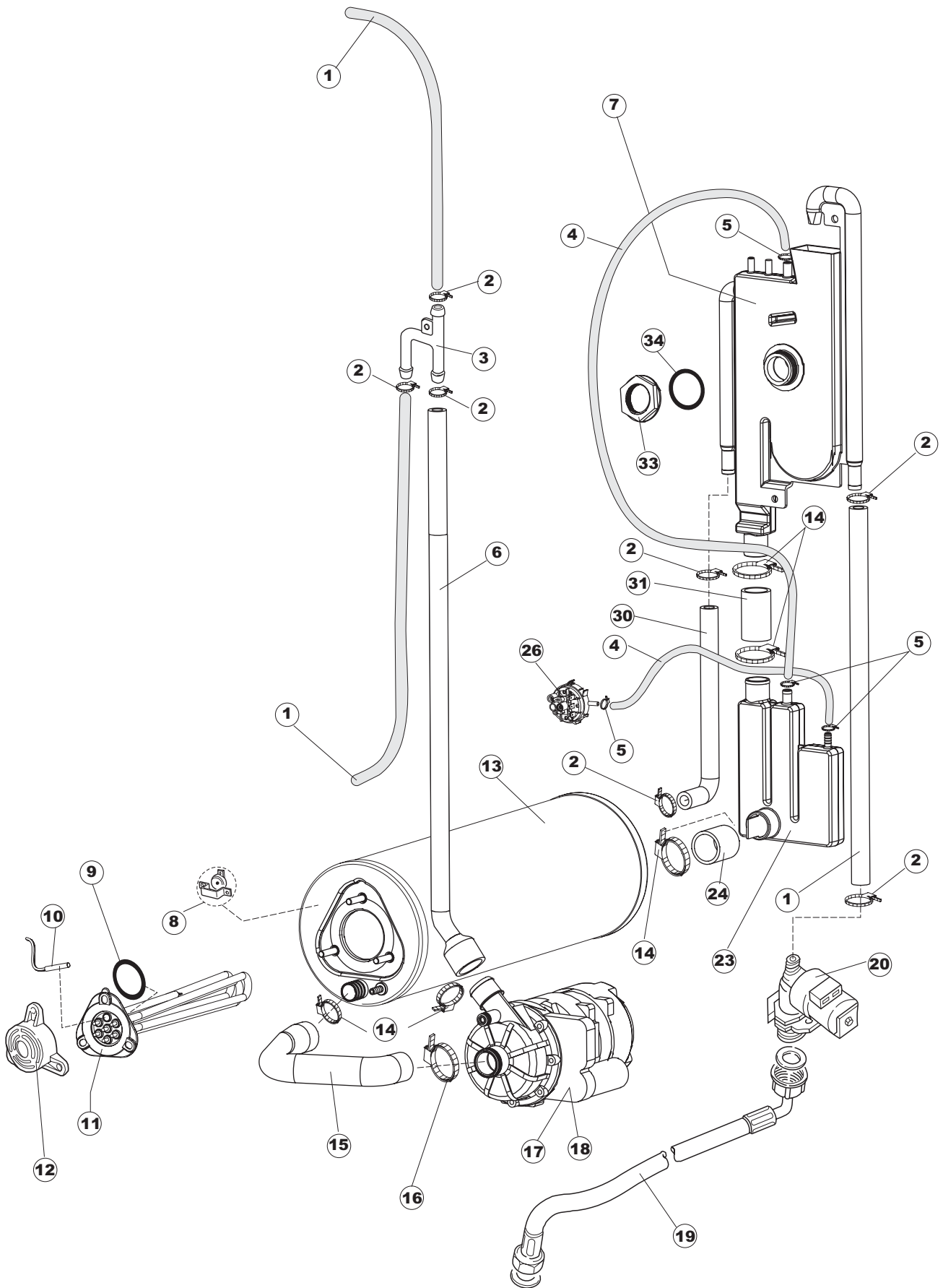
32	929103	PRESSACAPO PG16 PASSO (BER 4716) CABLE GLAND PG16 PITCH (BER 4716) KABELSCHELLE PG16 STEIGUNG (BER 4716) SERRE CABLE PG16 PAS (BER 4716) SUJETA-CABLE PG16 PASO (BER 4716)	
34	80677	RESISTENZA VASCA 2500 W 230V MONOFASE HEATING ELEMENT 2,5KW 230V (S6268) ELEKTRISCHER RESISTANCE RESISTENCIA CUBETA 2,5KW 230V	
35	35500	GUIDA DX/SX CESTELLO LP92 PIEGATO FINITO	
36	35070	MOLLA A GAS(082643) SPRING, GAS(082643) GASFEDER (082643) RESSORT A GAZ (082643) MUELLE DE GAS(082643)	
37	80249	TROPPO PIENO RIVER 80/81 OVERFLOW RIVER 80/81 ÜBERLAUF RIVER 80/81 TROP-PLEIN RIVER 80/81 REBOSE RIVER 80/81	
38	CGR4131NT	O-RING 4131 VITON NERO SH.70 O-ring 4131 BLACK SCREW SH.70 O-RING 4131 SCHWARZE SCHRAUBE SH.70 O-RING 4131 VIS J11312 SH.70 O-RING 4131 VITON NEGRO SH. 70	
39	121081	FILTRO POMPA GRIGIO 44/TERZ. FILTER, PUMP GREY 44/TERZ. FILTER, PUMPE GRAU 44/TERZ. FILTRE POMPE GRIS 44/TERZ. FILTRO BOMBA GRIS 44/TERZ.	
40	429038	GHIERA SCARICO 22/44 RING NUT, DRAIN 22/44 GEWINDERING, ABLAUF 22/44 BAGUE VIDANGE 22/44 VIROLA DESCARGA 22/44	



# Pagina 4

1	437064	GUARNIZIONE COND.CENTR.SUP.50 GASKET, MANIFOLD, CENTR.UPP.50 DICHTUNG, SAMMELLEITUNG, ZENTR.OB.50 JOINT COND.CENTR.SUP.50 JUNTA COND. CENTR. SUP. 50	
2	35602	CONDOTTA CENTRALE SUPERIORE LP92 CENTRAL PIPE, UPPER LP92 ZENTR.LEITUNG, OBEN LP92 CONDUITE CENTR. SUP. LP92 CONDUCTO CENTRAL SUPERIOR LP92	
3	CFS1A	FASCETTA A VITE TORRO W1/W2B 40-60/12 CLAMP, HOSE-TYPE TORRO W1/W2B 40-60/12 SCHELLE, SCHRAUBE TORRO W1/W2B 40-60/12 BANDE DE SERRAGE A VIS TORRO W1/W2B 40-60/12 ABRAZ. CON TORNILLO TORRO W1/W2B 40-60/12	
4	35603	TUBO GOMMA MANDATA LAVAGGIO RUBBER HOSE 10X17 COMPLYING WITH DVGW RUBBER HOSE GUMMISCHLAUCH TUBO GOMA IMPULSION LAVADO	
5	35400	MANDATA LAVAGGIO COMPLETA FRONTALI DELIVERY, WASH. COMPLETE FRONT PANELS VERSORGUNG, SPÜL. KOMPL. VORDERSEITEN REFOUL. LAVAGE COMPLET PANN. FRONT. IMPULSION LAVADO COMPLETA FRONTALES	
6	80189	MANICOTTO (X TUBO LAVAGGIO 80237)ART.660 SLEEVE (FOR WASH.TUBE 80237) ART.660 MUFFE (FÜR SPÜLROHR 80237) ART.660 MANCHON (POUR TUYAU LAVAGE 80237)ART.660 MANGUITO (X TUBO LAVADO 80237)ART. 660	
7	80179	RACCORDO LAV.INF. EST.GOLD (COL.NEUTRO) UNION, WASH.LOW. OUTS.GOLD (NEUTRAL COL.) VERBINDUNGSST., UNT.SPÜL. AUSS.GOLD (NEUTR. FARBE) RACCORD LAV.INF. EXT.GOLD (COL.NEUTRE) EMPALME LAV. INF. EXT. GOLD (COL. NEUTRO)	
8	80182	GUARNIZIONE MANDATA INF.CAPOT RV. GASKET, LOW.DELIVERY HOOD RV. DICHTUNG, UNTEN VERSORGUNG DURCHSCHUBSP. RV. JOINT REFOULEMENT INF.CAPOT RV. JUNTA IMPULSION INF. CAPOT RV.	
9	80281	GHIERA LAVAGGIO INFERIORE INTERNO ALTA RING NUT, INSIDE LOWER WASHING, HIGH GEWINDERING, INN. UNT. SPÜLEN, HOCH BAGUE LAVAGE INF. INT. HAUTE VIROLA LAVADO INFERIOR INTERNO ALTA	
10	80188	MANICOTTO MANDATA POMPA RIVER 80/81 SLEEVE, PUMP DELIVERY RIVER 80/81 MUFFE, ZUFUHR PUMPE RIVER 80/81 MANCHON REFOUL. POMPE RIVER 80/81 MANGUITO IMPULSION BOMBA RIVER 80/81	
11	CFS2	FASCETTA TORRO W1/W2B 50-70/12 CLAMP, TORRO W1/W2B 50-70/12 SCHELLE, TORRO W1/W2B 50-70/12 BANDE DE SERRAGE TORRO W1/W2B 50-70/12 ABRAZADERA TORRO W1/W2B 50-70/12	
12	80134	ELETTROPOMPA 1100W 220-240V/50HZ CON CONDENSATORE  ELECTROBOMBA 1100W	
13	80112HZ	ELETTROPOMPA 0,8KW 220-240V/60HZ CON CONDENSATORE ELECTROPUMP WITH CONDENSER 0,8 KW 220-240V/60HZ MOTORPUMPE MIT KONDENSATOR KW 220-240V/60 HZ MOTOPOMPE AVEC CONDESEUR 0,8 KW 220-240V/60HZ ELECTROBOMBA 0,8KW 220-240V/60HZ (ZF400SX)	
14	80545	SQ. SUPPORTO POMPA X 80112 & 80114 BRACK., PUMP SUPPORT X 80112 & 80114 WINKEL, HALTER FÜR PUMPE X 80112 & 80114 EQ. SUPPORT POMPE X 80112 & 80114 ESCUADRA SOPORTE BOMBA X 80112 & 80114	
15	CFS3	FASCETTA A VITE TORRO W2B 60-80/12 CLAMP, HOSE-TYPE TORRO W2B 60-80/12 SCHELLE, SCHRAUBE TORRO W2B 60-80/12 BANDE DE SERRAGE A VIS TORRO W2B 60-80/12 ABRAZADERA CON TORNILLO TORRO W2B	

16	80186	MANICOTTO ASPIRAZ.POMPA RIVER SLEEVE, SUCT.PUMP RIVER MUFFE, ABSAUG.PUMPE RIVER MANCHON ASPIRAT.POMPE RIVER MANGUITO ASPIRAC. BOMBA RIVER	
17	456040	OR 201 NBR70           22 O-ring 201 NBR70       22 O-Ring 201 NBR70       22 OR 201 NBR70           22 OR 201 NBR70 22	
18	136020	CORPO ASPIRAZIONE/SCARICO 22/44 INTAKE/DRAIN BODY 22/44 GEHAUSE, EINLASS/ABLASS 22/44 CORPS ASPIRATION/VIDANGE 22/44 CUERPO ASPIRACION/DESCARGA 22/44	
19	143136	TUBO SCARICO VERS.NE INTEGR.22 PIPE, DRAIN - INTEGR. VERSION 22 ABLASSROHR - VOLLST. VERSION 22 TUYAU VIDANGE VERS.NE INTEGR.22 TUBO DESCARGA VERSION INTEGR. 22	

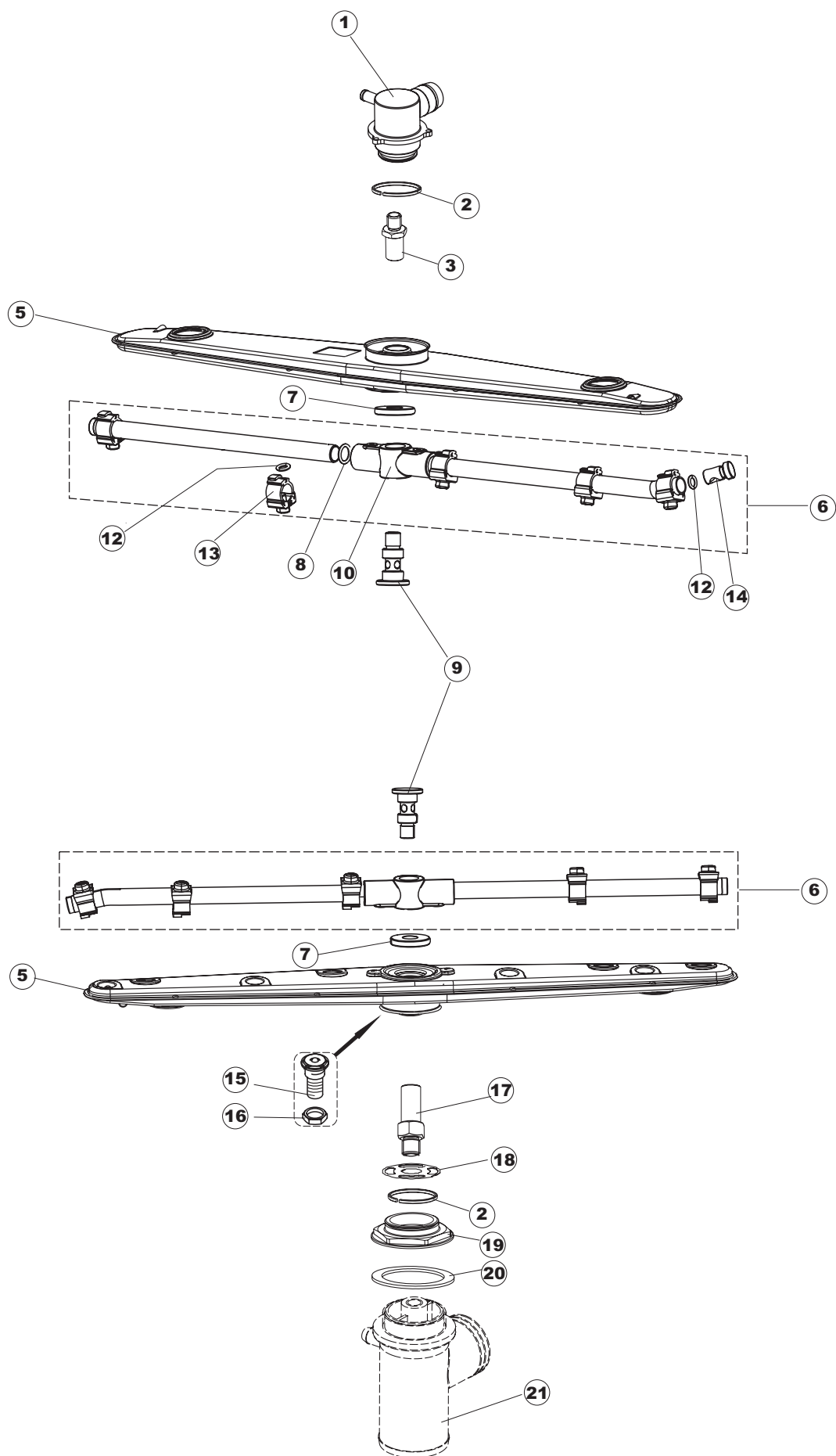


# Pagina 5

1	CFS18	FASCETTA A VITE TORRO 20-32/9 CLAMP, HOSE-TYPE TORRO 20-32/9 SCHLAUCHSCHELLE 20-32/9 BANDE DE SERRAGE A VIS TORRO 20-32/9 ABRAZADERA CON TORNILLO TORRO 20-32/9	
2	927322	FASCETTA NASTRO 14-24 CLAMP, TAPE 14-24 SCHLAUCHSCHELLE 12-22 BANDE DE SERRAGE CONVOYEUR 14-24 ABRAZADERA CINTA 12-22	
3	143173	GIUNZIONE RISC.PLAST.35/40/50 JOINT, RINSE PLAST.35/40/50 VERBIND., NACHSPÜLEN KUNST.35/40/50 JOINT RINC.PLAST.35/40/50 UNION ENJUAGUE PLAST. 35/40/50	
4	143131	TUBO GOMMA PIPE SCHLAUCH FUER DRUCKSCHALTER TUYAU VER CODIGO 143005	
5	423026	FASCETTA DOPPIO FILO 10.7	
6	41525	TUBO MANDATA RISCIAQUO (CRP) PIPE, DELIVERY PIPE FOR RINSE (CRP) ZUFLUSSROHR FÜR NACHSPÜLEN (CRP) TUYAU REFOULEMENT RINCAGE (CRP) TUBO IMPULSION ENJUAGUE (CRP)	
7	144021	AIRGAP SPECIALE LA50 PLASTIC AIRGAP AIR GAP GEOFFNETER BEHAELTER AIRGAP SPECIAL LA50 AIRGAP ESPECIAL LA50	
8	926189	TERMOSTATO BOILER SIC.95ø THERMOSTAT, BOILER, SAF.95ø SICHERHEITSTHERMOSTAT BOILER 95° THERMOSTAT CHAUDIERE SEC. 95ø TERMOSTATO CALENTADOR SEG. 95ø	
9	456002	OR 48x6,2 O-ring 48x6,2 O-Ring 48x6,2 OR 48x6,2 OR 48x6,2	
10	231016	SONDA TEMPERATURA TEMP. PROBE KUGEL SONDE SONDA TEMPERATURA (AMPOLLA ACERO)	
11	230083C	KIT RESISTENZA REB230083 (6KW) KIT, RESISTANCE REB230083 (6KW) KIT, WIDERSTAND REB230083 (6KW) KIT RESISTANCE REB230083 (6KW) KIT RESISTENCIA REB230083 (6KW)	
12	69870	PROTEZIONE RESISTENZA BOILER BOILER HEATING ELEMENT PROTECTION HEIZUNGSSCHUETZ DES WARMWASSERBEREITERS PROTECTION RESISTANCE BOILER PROTECCION RESISTENCIA CALENTADOR	
13	104061	BOILER CRP LA50 BOILER CRP BOILER CRP SURCHAUFFEUR CRP CALENTADOR CRP LA50	
14	CFS18	FASCETTA A VITE TORRO 20-32/9 CLAMP, HOSE-TYPE TORRO 20-32/9 SCHLAUCHSCHELLE 20-32/9 BANDE DE SERRAGE A VIS TORRO 20-32/9 ABRAZADERA CON TORNILLO TORRO 20-32/9	
15	69068	MANICOTTO ASPIRAZ.CRP LA50 INTAKE COUPLING LA50 SAUGMUFFE LA50 MANCHON D'ASPIRATION MANGUITO ASPIRAC.CRP LA50	



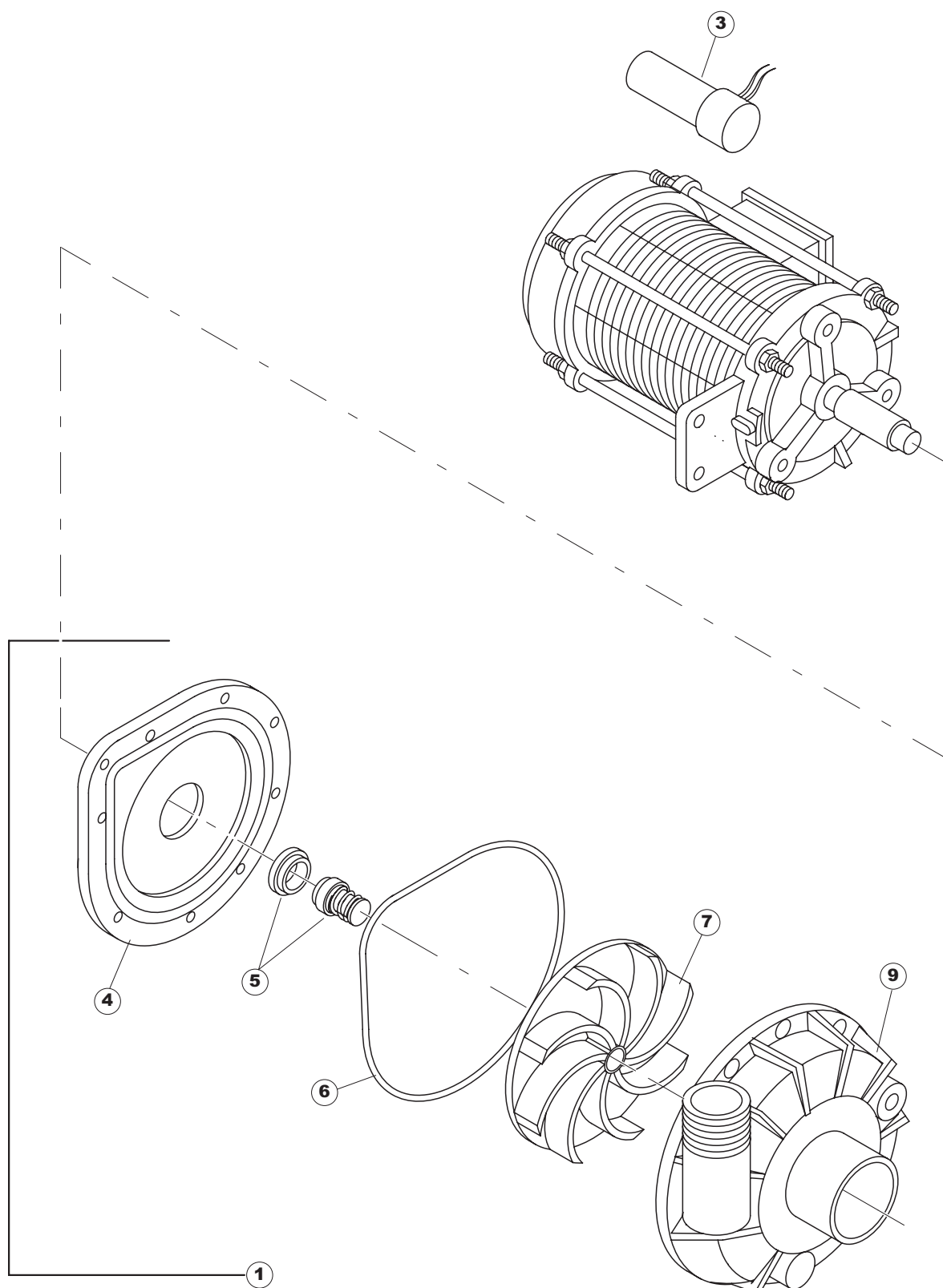
16	423008	FASCETTA D20X32X9 TIPO TORRO ACC.W1 CLAMP, D20X32X9 TYPE TORRO ACC.W1 SCHLAUCHSCHELLE D20X32X9 TYP TORRO ACC.W1 BANDE DE SERR. D20X32X9 TYPE TORRO ACC.W1 ABRAZADERA D20X32X9 TIPO TORRO ENC. W1	
17	80627	ELETTROPOMPA 200W 230V-1PH-50HZ CON CONDENSATOR PUMP PUMPE POMPE ELECTROBOMBA ENJUAGUE 200W	
18	80629	ELETTROPOMPA 200W 220/240V-1PH-60HZ CON CONDENSA PUMP PUMPE POMPE ELECTROBOMBA ENJUAGUE 200W 60HZ	
19	929169	TUBO DI CARICO DEL TERMOPLASTICO PIPE, THERMOPLASTIC DELIVERY ZULAUFSCHLAUCH, WASSER THERMOPLAST TUYAU DE CHARG. DU THERMOPLASTIQUE TUBO DE CARGA DEL TERMOPLASTICO	
20	240018	VALVOLA DI CARICO 1 VIA CRP LOADING S.VALVE 1-WAY CRP ZUFLUSSVENTIL 1-WEG CRP SOUPAPE DE CHARG. 1 VOIE CRP VALVULA DE CARGA 1 VIA CRP	
23	144027	SISTEMA CARICAMENTO CRP PLASTIC AIRGAP AIR GAP GEOFFNETER BEHAELTER  SISTEMA CARGA CRP	
24	127095	MANICOTTO BOILER->SISTEMA CRP MANIFOLD MUFFE  MANGUITO CALENTADOR->SISTEMA CRP	
26	224002	PRESSOSTATO - 110/60 PRESSURE SWITCH - 110/60 DRUCKWAECHTER 110/60 PRESSOSTAT - 110/60 PRESOSTATO - 110/60	
30	143131	TUBO GOMMA PIPE SCHLAUCH FUER DRUCKSCHALTER TUYAU VER CODIGO 143005	
31	929171	TUBO GOMMA 20X30 HOSE, RUBBER 20X30 SCHLAUCH, GUMMI 20X30 TUYAU CAOUTCHOUC 20X30 TUBO GOMA 20X30	
33	417125	DADO IN PLAST.CON COLLARE(171571) NUT MUTTER ECROU TUERCA DE PLAST.CON COLLAR(171571)	
34	437104	GUARNIZIONE D45D33S2 EPDM 70SH RUBBER GASKET DICHTUNG JOINT JUNTA D45D33S2 EPDM 70SH	



# Pagina 6

1	80177	CONDOTTO LAVAGGIO SUP.RIVER PIPELINE - WASHING, UPPER RIVER LEITUNG - SPÜLEN, OB. RIVER CONDUITE LAVAGE SUP.RIVER CONDUCTO LAVADO SUP. RIVER	
2	80184	ANELLO TENUTA PER SUPP.LAVAGGIO FIXING RING WASHING SUPPORT GLEIT UND DICHTUNGSRING ANNEAU TENUE SUPPORT LAVAGE ANILLO ESTANQ. PARA SOP.LAVADO	
3	80282	ALBERO PERNO RISC.RIVER SHAFT, WASH RINSE RIVER WELLE, ZAPFEN NACHSPÜLEN RIVER ARBRE PIVOT RINC.RIVER EJE PERNO ENJUAGUE RIVER	
5	80311	PETTINE LAVAGGIO RIVER CAPOT COMB, WASHING RIVER CAPOT KAMM, SPÜLEN RIVER-DURCHSCHUBSPÜLAUTOM. PEIGNE LAVAGE RIVER CAPOT PEINE LAVADO RIVER CAPOT	
6	80954	BRACCIO RISCIAQUO RINSE ARM NACHSPUELARM BRAS RINC PEINE ENJUAGUE RIVER 80/81	
7	80679	GHIERA ULTRA RINSE INOX NUT RING BAGUE VIROLA ULTRA RINSE INOX	
8	456019	OR 2037 O-ring 2037 O-Ring 2037 OR 2037 OR 2037	
9	80644	PERNO	
10	69632	CORPO PETTINE ARM BODY KOERPER DES NACHSPUELARMES CORPS BRAS CUERPO PEINE ENJUAGUE.	
12	CGR106	O-RING 106 GOMMA NITR. (6,75 X 1,78 NBR) O-ring 106 NITRILE RUBBER (6,75 X 1,78 NBR) O-RING 106 NITRILGUMMI (6,75 X 1,78 NBR) O-RING 106 CAOUTCHOUC NITRYLE (6,75 X 1,78 NBR) VER CODIGO 456030	
13	80373	SPRUZZATORE RISCIAQUO SPRAYER, RINSE SPRITZDÜSE, NACHSPÜLEN GICLEUR RINCAGE VER CODIGO 140028	
14	926132	TAPPO PL.X BRACCIO DI RISC.(DWT312) CAP, PLASTIC FOR WASH. ARM (DWT312) PFROPFEN, KUNST. FÜR NACHSPÜLARM (DWT312) BOUCHON PL.POUR BRAS DE RINC.(DWT312) TAPON PL. X BRAZO DE ENJUAGUE (DWT312)	
15	80310	SUPPORTO LANC/LAVAGGIO (RAL7001) SUPPORT, WASH-ARM/WASH. (RAL7001) HALTER, SPÜLLANZE/SPÜL. (RAL7001) SUPPORT RAMPE DE LAVAGE (RAL7001) SOPORTE LANC/LAVADO (RAL7001)	
16	80314	DADO LANCIA LAVAGGIO GRIGIO NUT, WASH-ARM GREY SCHRAUBENMUTTER, SPÜLLANZE GRAU ECROU RAMPE DE LAVAGE GRIS VER CODIGO 926128	
17	80283	PERNO INFERIORE LANCIA LAVAGGIO ALTO PIN, LOWER, WASH.NOZZLE, HIGH ZAPFEN, UNTEN, SPÜLLANZE HOCH PIVOT INFERIEUR RAMPE DE LAVAGE HAUT PERNO INFERIOR LANZA LAVADO ALTO	

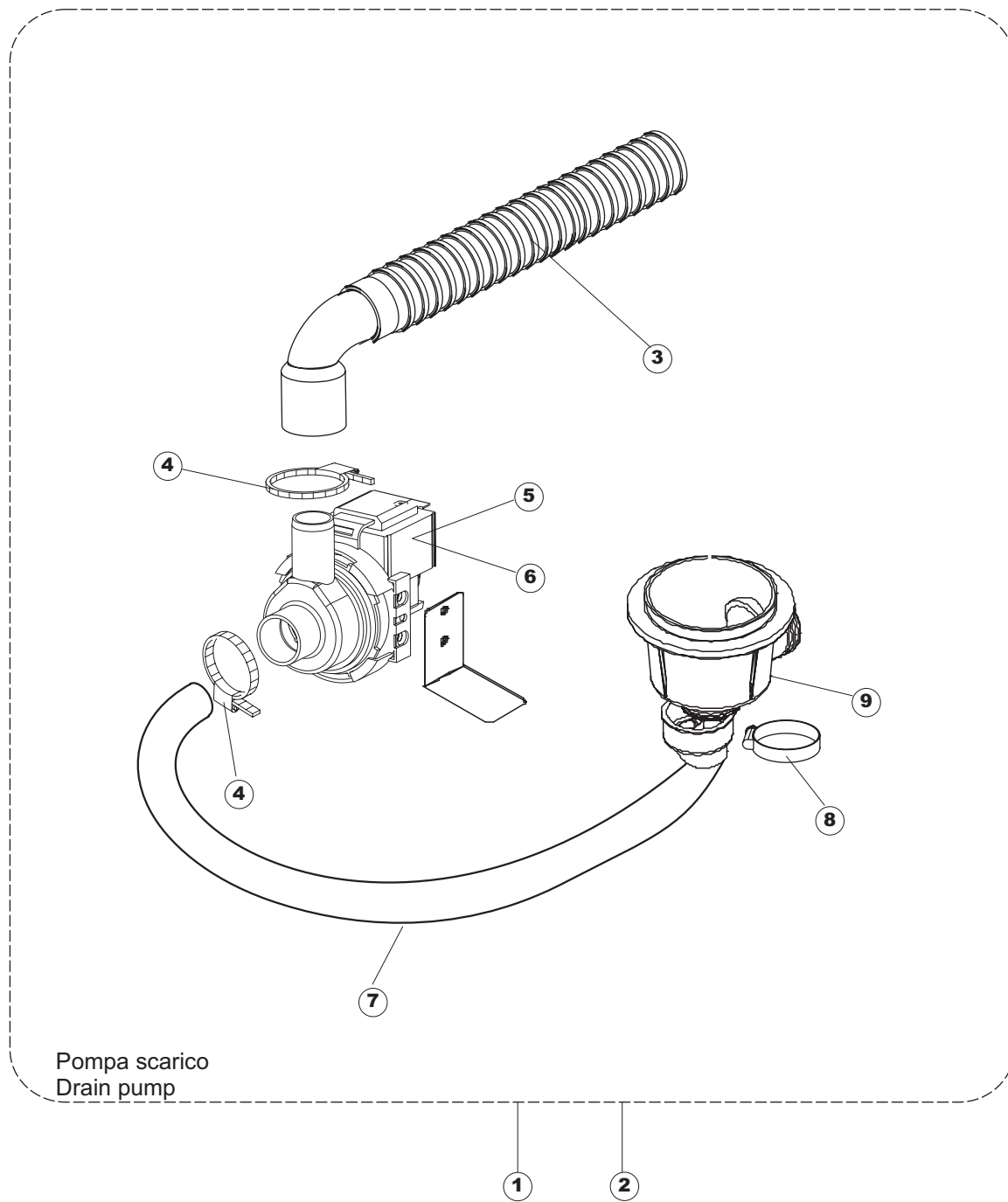
18	80316	PARZIALIZZATORE RIVER CAPOT DRAUGHT SHUTTER RIVER CAPOT DROSSELGERAT RIVER-DURCHSCHUBSPÜLAUTOM. ETRANGLEUR RIVER CAPOT PARCIALIZADOR RIVER CAPOT	
19	80281	GHIERA LAVAGGIO INFERIORE INTERNO ALTA RING NUT, INSIDE LOWER WASHING, HIGH GEWINDERING, INN. UNT. SPÜLEN, HOCH BAGUE LAVAGE INF. INT. HAUTE VIROLA LAVADO INFERIOR INTERNO ALTA	
20	80182	GUARNIZIONE MANDATA INF.CAPOT RV. GASKET, LOW.DELIVERY HOOD RV. DICHTUNG, UNTEN VERSORGUNG DURCHSCHUBSP. RV. JOINT REFOULEMENT INF.CAPOT RV. JUNTA IMPULSION INF. CAPOT RV.	
21	80179	RACCORDO LAV.INF. EST.GOLD (COL.NEUTRO) UNION, WASH.LOW. OUTS.GOLD (NEUTRAL COL.) VERBINDUNGSST., UNT.SPÜL. AUSS.GOLD (NEUTR. FARBE) RACCORD LAV.INF. EXT.GOLD (COL.NEUTRE) EMPALME LAV. INF. EXT. GOLD (COL. NEUTRO)	



**(CAM1733)**

# Pagina 7

1	80134	ELETTROPOMPA 1100W 220-240V/50HZ CON CONDENSATORE  ELECTROBOMBA 1100W	
3	80191	CONDENSATORE 12,5MF CONDENSER KONDENSATOR 12,5MF DURITE CONDENSADOR DE 12. 5 mF	
4	80196	FLANGIA FLANGE FLANSCH BRIDE BRIDA CON SCUDO E.BOMBA	
5	80193	GUARNIZIONE WASHPUMP SHAFT SEAL MECHANISCHE DICHTUNG FUER MOTORPUMPE ETANCHEITE' POUR MOTOPOMPE ESTANQ. ROTOR BOMBA	
6	80199	CHIOCCIOLA GASKET PUMP PUMPEDICHTUNG JOINT POMPE JUNTA BOMBA	
7	80197	FLANGIA FLANGE FLANSCH BRIDE ROTOR E-BOMBA	
9	80198	CHIOCCIOLA ELECTROPUMP HOUSING PUMPENGEHAUSE VOLUTE POUR MOTOPOMPE ESPIRAL EL-BOMBA	



# Pagina 8

1	69702	KIT POMPA SCARICO DRAIN PUMP ASSY KIT KIT KIT BOMBA DESCARGA	
2	69702HZ	KIT POMPA SCARICO  KIT BOMBA DESCARGA 60HZ	
3	DZS151	TUBO SCARICO PL CM150 D25 (2 MANIC.) PIPE, DRAIN PL CM150 D25 (2 HANDL.) ABLAUSSROHR, KUNST. CM150 D25 (2 ST.) TUYAU VIDANGE PL CM150 D25 (2 POIGNEES) TUBO DESCARGA PLAST. CM150 D25 (2 MANG.)	
4	CFS18	FASCETTA A VITE TORRO 20-32/9 CLAMP, HOSE-TYPE TORRO 20-32/9 SCHLAUCHSCHELLE 20-32/9 BANDE DE SERRAGE A VIS TORRO 20-32/9 ABRAZADERA CON TORNILLO TORRO 20-32/9	
5	80117	POMPA SCARICO RIVER DRAIN PUMP RIVER ABLAUSSPUMPE RIVER POMPE VIDANGE RIVER BOMBA DESCARGA RIVER	
6	80117HZ	POMPA SCARICO 240V/60HZ (DPS35-015) DRAIN PUMP 240V/60HZ (DPS35-015) ABLAUSSPUMPE 240V/60HZ (DPS35-015) POMPE VIDANGE 240V/60HZ (DPS35-015) BOMBA DESCARGA 240V/60HZ VER 80117 UL	
7	127056	MANICOTTO ASP.P.S. VICT.32 SLEEVE, SUCT.PUMP S. VICT.32 MUFFE, ABSAUG.ABLAUSSPUMPE VICT.32 MANCHON ASP.POMPE VIDANGE VICT.32 MANGUITO ASP. P. S. VICT. 32	
8	CFS1A	FASCETTA A VITE TORRO W1/W2B 40-60/12 CLAMP, HOSE-TYPE TORRO W1/W2B 40-60/12 SCHELLE, SCHRAUBE TORRO W1/W2B 40-60/12 BANDE DE SERRAGE A VIS TORRO W1/W2B 40-60/12 ABRAZ. CON TORNILLO TORRO W1/W2B 40-60/12	
9	136020	CORPO ASPIRAZIONE/SCARICO 22/44 INTAKE/DRAIN BODY 22/44 GEHAUSE, EINLASS/ABLASS 22/44 CORPS ASPIRATION/VIDANGE 22/44 CUERPO ASPIRACION/DESCARGA 22/44	