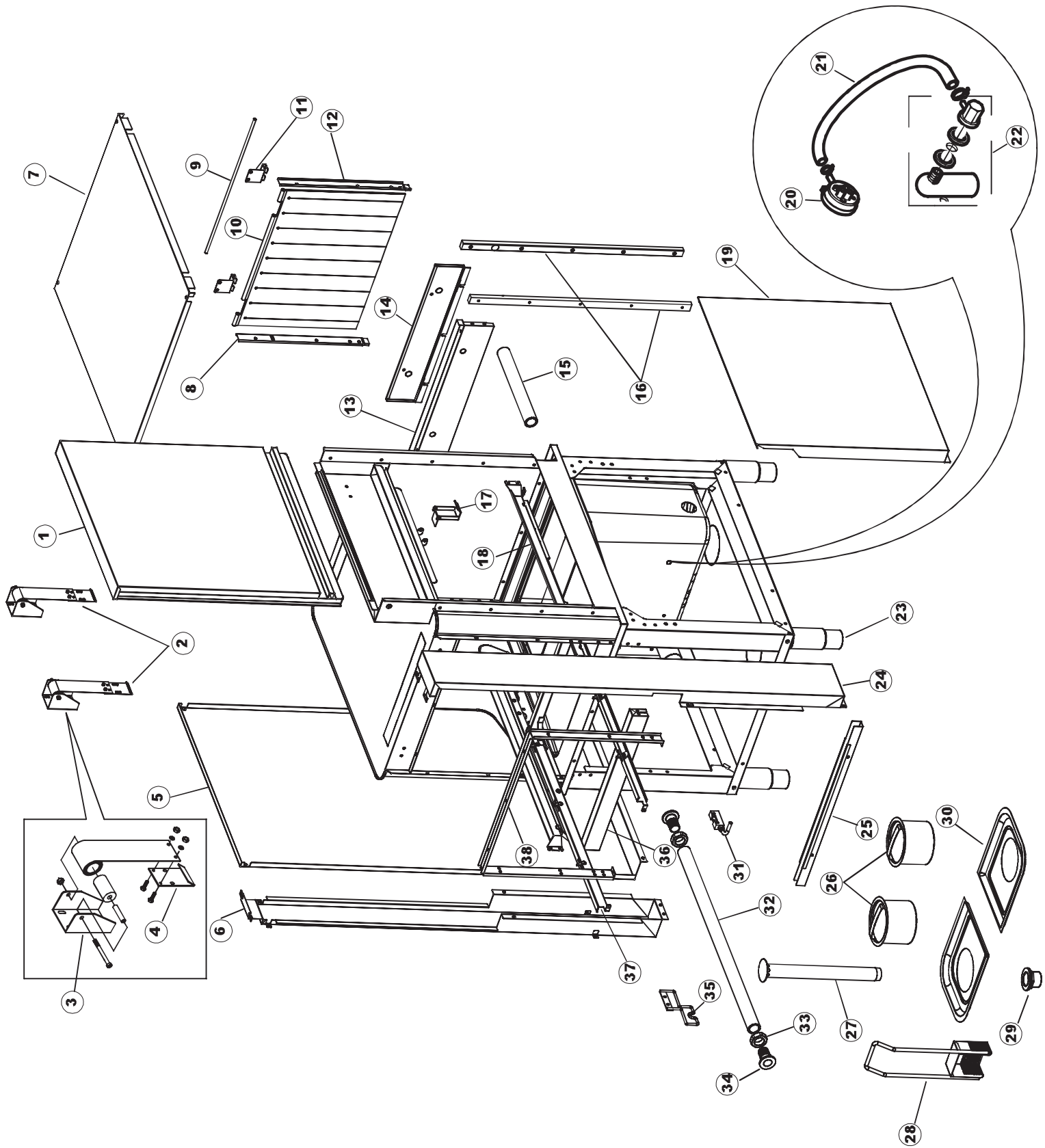


**M B M**

**SPARE PARTS CATALOGUE  
ERSATZTEILKATALOG  
CATALOGUE PIECES DETACHEES  
CATALOGO PARTI RICAMBIO  
CATALOGO DE PIEZAS DE RECAMBIO  
CATALOGO PEÇAS DE REPOSICAO**

**Domina  
LTD 220**

**22-07-2009**



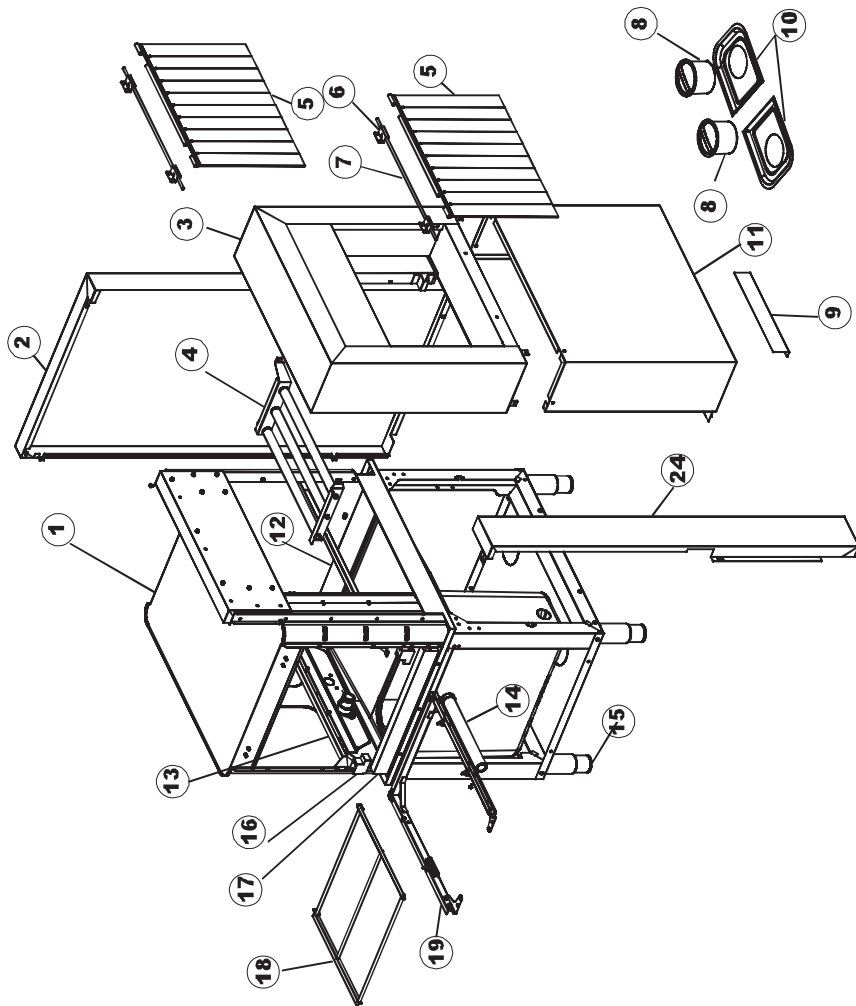
# Pagina 1

1	77534	SPORTELO PRELAVAGGIO COMPLETO  PORTEZUELA PRELAVADO COMPLETO	
2	77560	KIT MOLLE SPORTELO PRELAVAGGIO TRAINO SPRING KIT FEDER KIT RESSORT KIT KIT MUELLES PORTEZ. PRELAVADO ACCION.	
3	75225	SCATOLA SUPPORTO MOLLE SPORT. PG FINITO  CAJA SOPORTE MUELLE PUERTA PG ACAB.	
4	75226	GANCIO MOLLA SPORTELO TRAINO PG FINITO SPRING HOOK FEDER-HAKEN CROCHAGE RESSORT GANCHO MUELLE PUERTA ACCION. PG ACAB.	
5	77539	PANNELLO POSTERIORE PRELAVAGGIO PIEGATO FINITO REAR PANEL RUECKWANDVERKLEIDUNG PANNEAU ARRIERE PANEL TRASERO PRELAV. PG.ACABADO	
6	77541	MONTANTE CENTRALE POST. PG.FINITO	
7	77542	PANNELLO SUPERIORE ESTERNO PIEGATO FINITO UPPER PANEL OBERPANEEL PANNEAU DESSUS PANEL SUP.EXTERNO PG ACABADO	
8	75327	CANALE DX TENUTA ANGOLARE ESTERNO PIEGATO FINITO EXTERNAL CORNER SEAL LEFT CONDUCT AUSSENENLINKKANAL MIT ECK-DICHTIGKEIT CANAL EXTERIEUR A GAUCHE AVEC ETANCHE ANGULAIRE	
9	75121	ASTA SOSTEGNO TENDINA TRAINO ROD, SSUPPORT FOR CURTAIN STAB, STÜTZE FÜR VORHANG BARRE SUPPORT RIDEAU AVANCEMENT VARA SOSTEN CORTINA ACCION.	
10	75120	TENDINE ENTRATA/USCITA TRAINO CURTAIN, INPUT/OUTPUT VORHANG, EINTRITT/AUSTRITT RIDEAUX ENTREE/SORTIE AVANCEMENT CORTINAS ENTRADA/SALIDA ACCION.	
11	75581	SQ. SUPPORTO TENDINA PG FINITA CURTAIN SUPPORTING BRACKET - FINISHED PART BEFESTIGUNGSWINKEL FUER VORHANG - FERTIGTEIL ÉQUERRE SUPPORT RIDEAU PG - ACHEVÉE ESC. SOPORTE CORTINA PG ACABADA	
12	75328	CANALE SINISTRO TENUTA ANGOLARE ESTERNO PIEGATO FI EXTERNAL CORNER SEAL LEFT CONDUCT AUSSENENLINKKANAL MIT ECK-DICHTIGKEIT CANAL EXTERIEUR A GAUCHE AVEC ETANCHE ANGULAIRE CANAL IZQDO. ESTANQ. ANGULAR EXT. PG ACAB	
13	75308	SPONDA INTERNA INNER LOWER FRONT PANEL - FINISHED PART INNEREUNTERE VORDERPLATTE PG-FERTIGTEIL FAÇADE INTERNE INFÉRIURE PG -PIÈCE ACHEVÉE SPONDA INTERNA INF PG FINITO	
14	75307	SPONDA ESTERNA INF PG FINITO	
15	77526	TUBO COLLEGAMENTO VASCHE TUBE HOSE SCHLAUCH TUBO CONEX. CUBETAS L=320MM	

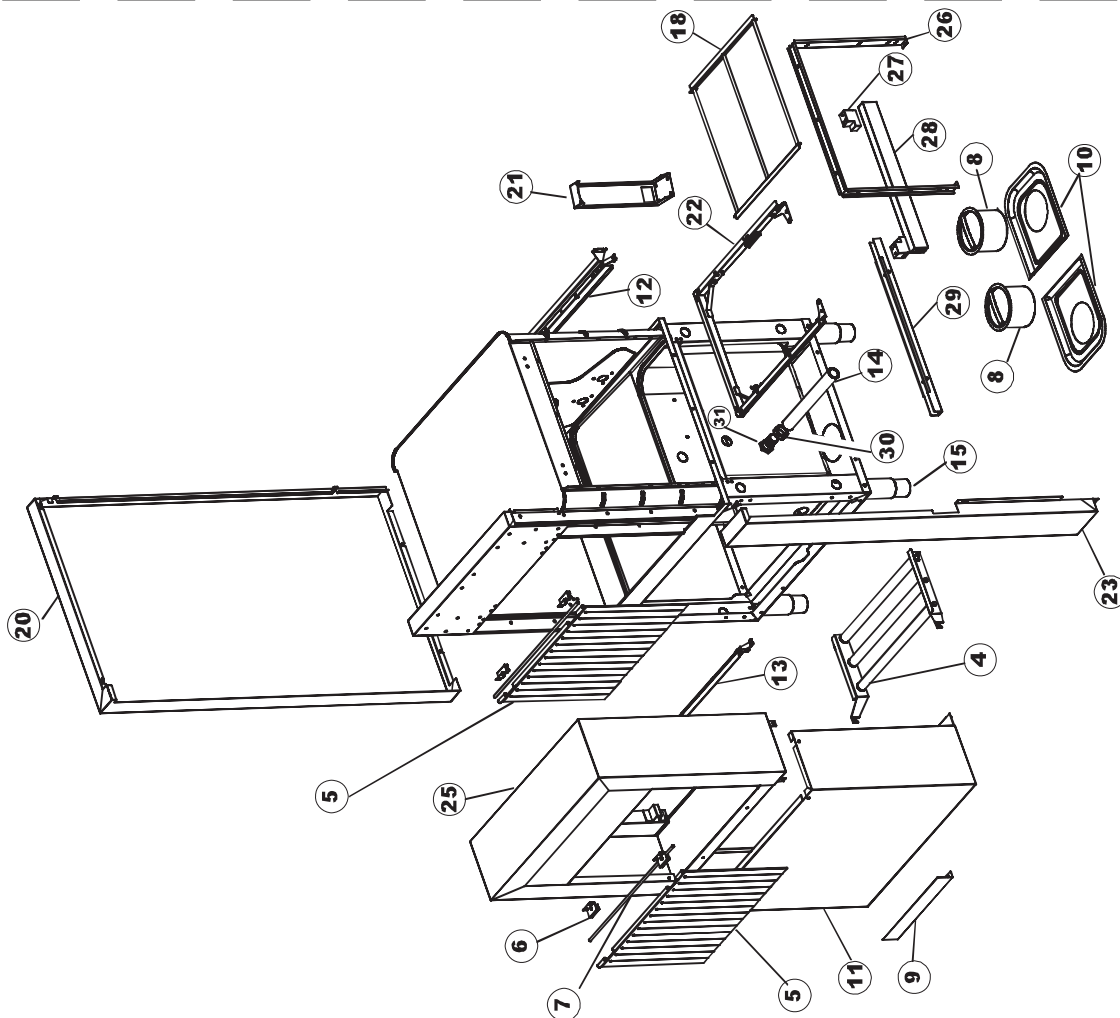
16	75047	GUIDA SCORRIMENTO SPORTELLO	
17	75064	GANCIO SPORTELLO TRAINO PG FINITA HOOK SICHEREHEITSHAKEN CROCHET GANCHO PUERTA ACCION. PG ACAB.	
18	77531	GUIDA CESTELLO PRELAVAGGIO  GUIA CESTA PRELAVADO PG ACABADO	
19	77543	PANNELLO ANTERIORE PIEGATO FINITO FRONT PANEL PANEEL PANNEAU AVANT PANEL DELANTERO PG ACABADO	
20	926049	PRESSOSTATO 761999 180-70 PRESSURE SWITCH 761999 180-70 DRUCKSCHALTER 761999 180-70 PRESSOSTAT 761999 180-70 PRESOSTATO 761999 180-70	
21	143005	TUBO PRESS.TP 5x11 (CASER/15/NL C4N) PIPE, PRESSURE SWITCH TP 5x11 (CASER/15/NL C4N) ROHR, DRUCKSCHALTER TP 5x11 (CASER/15/NL C4N) TUYAU PRESS.TP 5x11 (CASER/15/NL C4N) TUBO PRES. TP 5x11 (CASER/15/NL C4N)	
22	984005	GRUPPO CAMPANA PRESSOST.35/40 PRESSURE SWITCH BELL 35/40 GLOCKE, DRUCKSCHALTER 35/40 ENS.BOITE PRESSOSTAT 35/40 GRUPO CAMPANA PRESOSTATO 35/40	
23	926117	PIEDE REGOLABILE X CAPOTT.3LINEA FOOT, ADJUST. X CAPOTT.3LINE VERSTELLFUSS X HAUB.3LEIT. PIED REGLABLE POUR CAPOT.3LIGNE PATA REGULABLE X CAPOTA 3LINEA	
24	77567	MONTANTE CENTRALE COMPLETO	
25	77527	COLLEGAMENTO INFERIORE PRELAVAGGIO	
26	80159	CESTELLO FILTRO VASCA RIVER 82/83 BASKET, TANK FILTER RIVER 82/83 KORB, TANKFILTER RIVER 82/83 PANIER FILTRE CUVE RIVER 82/83 CESTA FILTRO CUBETA RIVER 82/83	
27	77545	TROPPO PIENO PRELAVAGGIO OVERFLOW UEBERLAUFROHR TROP PLEIN REBOSE PRELAVADO	
28	77546	FILTRO ASPIRAZIONE POMPA PRELAVAGGIO SUPERGOL PUMP ASPIRATION FILTER ABSAUG SIEB DER PUMPE FILTRE ASPIRATION POMPE	
29	42185	PILETTA COMPL.INOX 1"1/2 (01713007) DRAIN, COMPL., INOX 1"1/2 (01713007) ABFLUSS, KOMPL., INOX 1"1/2 (01713007) TUYAU DE VIDANGE COMPL.INOX 1"1/2 (01713007) PILETA COMPL. INOX 1"1/2 (01713007)	
30	77540	FILTRO PRELAVAGGIO PRE-WASH FILTER SIEB FILTRE FILTRO PRELAVADO	

31	80871	MICRO MAGNETICO MAGNETIC DOOR SWITCH TUERKONTAKTSCHALTER CONTACTE MAGNETIQUE CONTACTO MAGNETICO	
32	77544	TUBO COLLEGAMENTO VASCHE PIPE ROHRE TUYAU TUBO CONEX. CUBETAS L=810 MM	
33	77524	DADO G1" RACCORDO VASCHE PRELAVAGGIO NUT NUT MUTTER TUERCA G1" EMPALME CUBETAS PRELAVADO	
34	77525	PILETTA RACCORDO VASCHE PRELAVAGGIO PIPE GEBOEGENS SIEGE PILETA EMPALME CUBETAS PRELAVADO	
35	75105	SQUADRA SUPPORTO BRACCIO LAVAGGIO INFERIORE COMPI BRACKET BEF. WINKEL EQUERRE ESC. SOPORTE BRAZO LAV INF.COMPLETA	
36	77528	PARETE DIVISORIA PG.FINITO	
37	77530	CARRELLO TRAINO PRELAVAGGIO COMPLETO COMPLETE TRAILER KOMPLET WAGEN CHARIOT COMPLET	
38	77529	STAFFA COLLEGAMENTO MODULI PG.FINITO	

RIGHT



LEFT

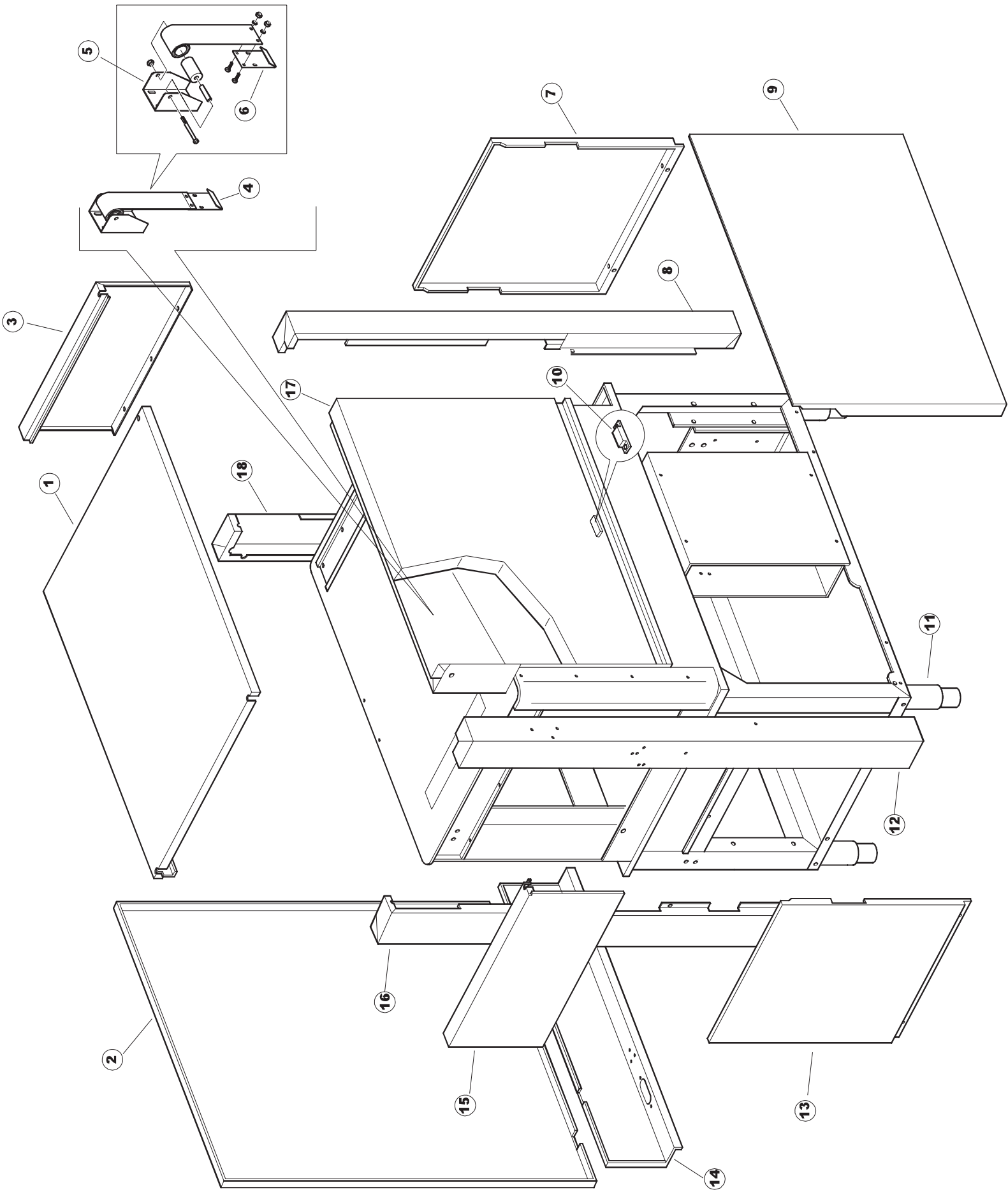


## Pagina 2

1	77701	TELAIO PREL-ANGOLO DX	
2	77793	PANNELLO LATERALE DX COMPLETO	
3	77761	CAPPETTA PRELAVAGGIO ANGOLO COMPLETA	
4	77794	CARRELLO RULLI COMPLETO TRAILER WAGEN CHARIOT	
5	77120	TENDINE ENTRATA/USCITA TRAINO DRIVE ENTRANCE/EXIT CURTAINS VORHANG EINLAUF/AUSLAUF KORBTR. RIDEAUX ENTRÉE/SORTIE ENTR. CORTINAS ENTRADA/SALIDA ACCION.	
6	75380	STAFFA SUPPORTO TENDINA ASCIUGATURA 600 MM BRACKET STEIGBUEGEL ETRIER	
7	77121	ASTA SOSTEGNO TENDINA AUTORACK CURTAIN SUPPORT LAGER FUER VORHAN SUPPORT RIDEAU	
8	80159	CESTELLO FILTRO VASCA RIVER 82/83 BASKET, TANK FILTER RIVER 82/83 KORB, TANKFILTER RIVER 82/83 PANIER FILTRE CUVE RIVER 82/83 CESTA FILTRO CUBETA RIVER 82/83	
9	77136	STAFFA SOTTOPIANO PG.F	
10	77540	FILTRO PRELAVAGGIO PRE-WASH FILTER SIEB FILTRE FILTRO PRELAVADO	
11	77774	PANNELLO ANTERIORE COMPLETO	
12	77782	GUIDA CESTELLO DX PIEGATA FINITA RACK-SLIDE, RIGHT KORBBAHN - RECHTS GUIDE PANIER, DROITE	
13	77783	GUIDA CESTELLO SINISTRA, PIEGATA FINITA RACK SLIDE, LEFT KORBBAHN - LINKS GUIDE PANIER GAUCHE	
14	77526	TUBO COLLEGAMENTO VASCHE TUBE HOSE SCHLAUCH TUBO CONEX. CUBETAS L=320MM	
15	926117	PIEDE REGOLABILE X CAPOTT.3LINEA FOOT, ADJUST. X CAPOTT.3LINE VERSTELLFUSS X HAUB.3LEIT. PIED REGLABLE POUR CAPOT.3LIGNE PATA REGULABLE X CAPOTA 3LINEA	

16	75378	BLOCCHETTO SOSTEGNO GUIDE RAIL SUPPORT BLOCK  BLOQUE SOSTEN GUIAS	
19	77795	CARRELLO TRAINO SX COMPLETO DRAGGING CARRIAGE, LEFT VORSCHUB-WAGEN CHARIOT TRAINAGE, GAUCHE	
20	77790	PANNELLO LATERALE SX COMPLETO	
21	77710	SUPPORTO POMPA PG.F	
22	77796	CARRELLO TRAINO DX COMPLETO DRAGGING CARRIAGE, RIGHT VORSCHUB-WAGEN CHARIOT TRAINAGE, DROITE	
23	77779	MONTANTE CENTRALE ANTERIORE COMPLETO	
24	77792	MONTANTE ANTERIORE SX COMPLETO	
25	77761	CAPPETTA PRELAVAGGIO ANGOLO COMPLETA	
26	77529	STAFFA COLLEGAMENTO MODULI PG.FINITO	
27	75378	BLOCCHETTO SOSTEGNO GUIDE RAIL SUPPORT BLOCK  BLOQUE SOSTEN GUIAS	
28	77528	PARETE DIVISORIA PG.FINITO	
29	77527	COLLEGAMENTO INFERIORE PRELAVAGGIO	
30	77524	DADO G1" RACCORDO VASCHE PRELAVAGGIO NUT NUT MUTTER TUERCA G1" EMPALME CUBETAS PRELAVADO	
31	77525	PILETTA RACCORDO VASCHE PRELAVAGGIO PIPE GEBOEGENS SIEGE PILETA EMPALME CUBETAS PRELAVADO	

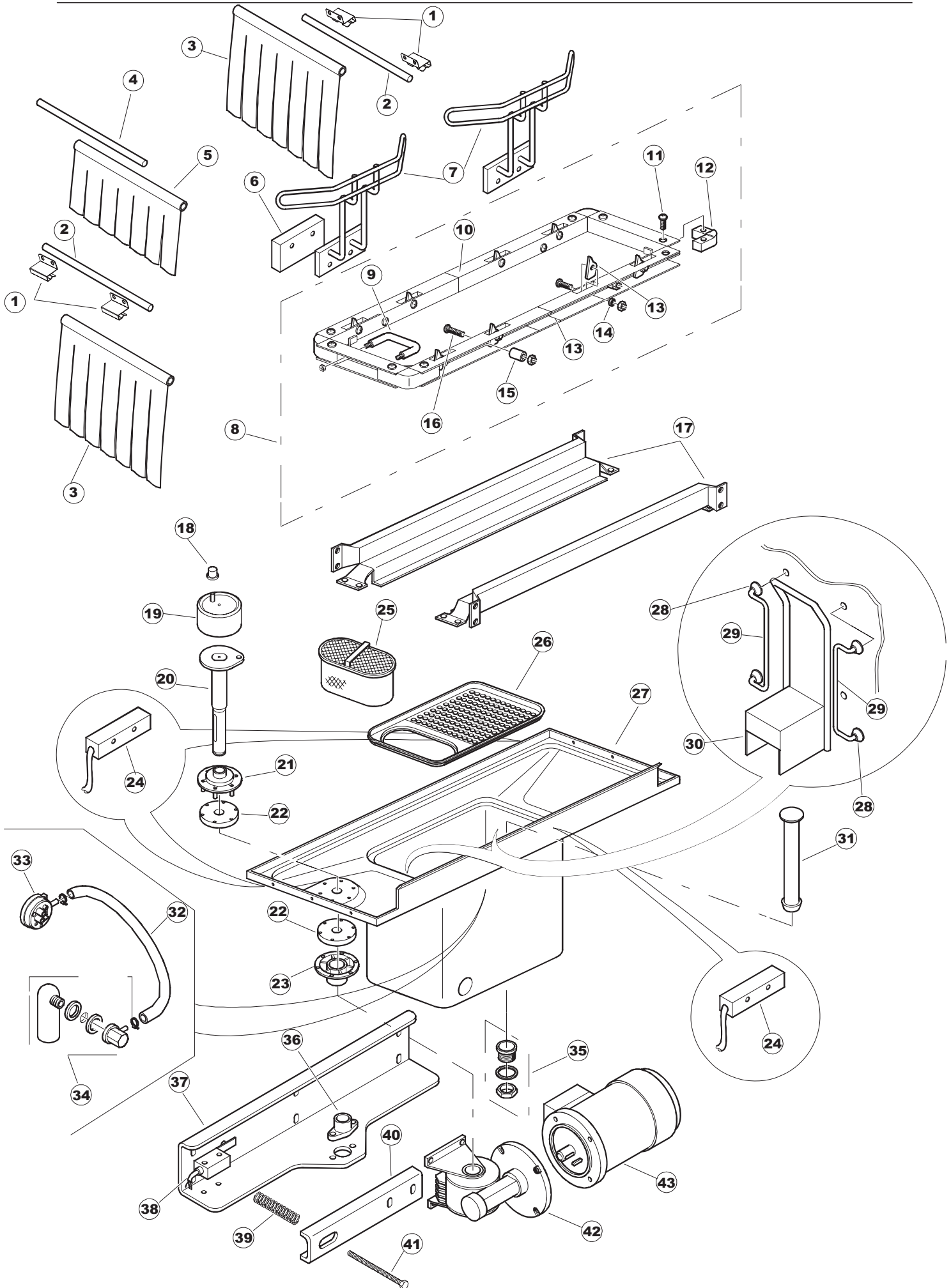




# Pagina 3

1	75050	PANNELLO SUP EST. TRAINO PG FINITO PANEL, UPPER OUT. FOR RACK CONV.PG FINISHED PLATTE, OB. AUSS. FÜR KORBTR.PG MASCHINENFERTIG PANNEAU SUP EXT. AVANC. PG FINI PANEL SUP EXT. ACCION. PG ACAB.	
2	75244	PANNELLO POSTER.SUP. TRAINO PG FINITO BACK PANEL RUECKWAND PANNEAU POSTERIEUR PANEL TRASERO SUP. ACCION. PG ACABADO	
3	75035	FACCIATINA ESTERNA SUP. PIEGATO FINITO  FACHADA EXTERNA SUP PG ACAB.	
4	75271	KIT MOLLE SPORTELLO GOLD80/RIVER150 KIT DOOR SPRINGS GOLD80/RIVER150 KIT TÜRFEDER GOLD80/RIVER150 KIT RESSORTS VOLET GOLD80/RIVER150 KIT MUELLES PUERTA GOLD80/RIVER150	
5	75225	SCATOLA SUPPORTO MOLLE SPORT. PG FINITO  CAJA SOPORTE MUELLE PUERTA PG ACAB.	
6	75226	GANCIO MOLLA SPORTELLO TRAINO PG FINITO SPRING HOOK FEDER-HAKEN CROCHAGE RESSORT GANCHO MUELLE PUERTA ACCION. PG ACAB.	
7	75053	PANNELLO LATERIALE TRAINO PG FINITO SIDE PANEL SEITENPANEEL PANNEAU LATERAL PANEL LAT TRAINO PG ACAB.	
8	75039	PANNELLO ANG ANT DX PG FINITO	
9	75052	PANNELLO ANT. TRAINO (COMPLETO) NEUTRO FRONT PANEL VORDER-PANEEL PANNEAU AVANT PANEL DELANT.TRAINO (COMPLETO) NEUTRO	
10	926014	MAGNETE 8x16x40 + CUST.xDEM201 MAGNET 8x16x40 + CUST.xDEM201 MAGNET 8x16x40 + CUST.xDEM201 AIMANT 8x16x40 + CUST.xDEM201 IMAN 8x16x40 + CUST. xDEM201	
11	926117	PIEDE REGOLABILE X CAPOTT.3LINEA FOOT, ADJUST. X CAPOTT.3LINE VERSTELLFUSS X HAUB.3LEIT. PIED REGLABLE POUR CAPOT.3LIGNE PATA REGULABLE X CAPOTA 3LINEA	
12	75038	PANNELLO ANGOLARE ANTERIORE SINISTRO PIEGATO FINITO CORNER FRONT PANEL RUECKWAND PANNEAU ANGLE ANTERIEUR PANEL ANG DELANT. IZQDO. PG ACAB.	
13	75053	PANNELLO LATERIALE TRAINO PG FINITO SIDE PANEL SEITENPANEEL PANNEAU LATERAL PANEL LAT TRAINO PG ACAB.	
14	75043	SOST=75080+75244	
15	75035	FACCIATINA ESTERNA SUP. PIEGATO FINITO  FACHADA EXTERNA SUP PG ACAB.	

16	75041	PANNELLO ANG POST. SX PG FINITO BACK PANEL RUECKWAND PANNEAU ANGLE POSTERIEUR PANEL ANG TRASERO IZQDO. PG ACAB.	
17	75082	SPORTELLINO TRAINO COMPLETO COMPLETE DOOR KOMPLETTE TUER PORTE COMPLETE PUERTA ACCION. COMPLETA	
18	75040	PANNELLO ANGOLARE POSTERIORE DESTRO PIEGATO FINITO BACK ANGLE RIGHT PANEL  PANEL ANG TRASERO DCHO. PG ACABADO	

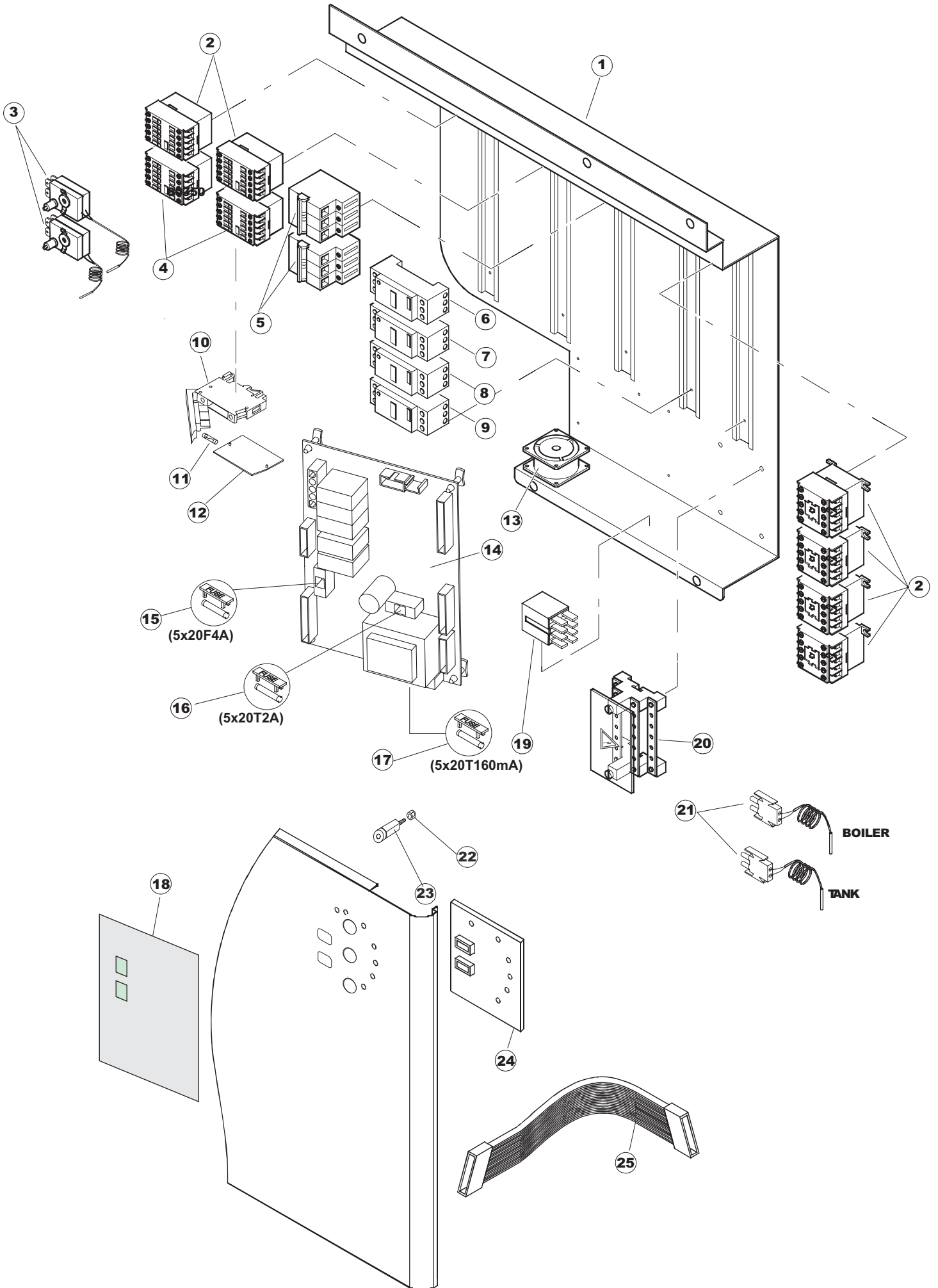


# Pagina 4

1	75581	SQ. SUPPORTO TENDINA PG FINITA CURTAIN SUPPORTING BRACKET - FINISHED PART BEFESTIGUNGSWINKEL FUER VORHANG - FERTIGTEIL ÉQUERRE SUPPORT RIDEAU PG - ACHEVÉE ESC. SOPORTE CORTINA PG ACABADA	
2	75121	ASTA SOSTEGNO TENDINA TRAINO ROD, SSUPPORT FOR CURTAIN STAB, STÜTZE FÜR VORHANG BARRE SUPPORT RIDEAU AVANCEMENT VARA SOSTEN CORTINA ACCION.	
3	75120	TENDINE ENTRATA/USCITA TRAINO CURTAIN, INPUT/OUTPUT VORHANG, EINTRITT/AUSTRITT RIDEAUX ÉNTREE/SORTIE AVANCEMENT CORTINAS ENTRADA/SALIDA ACCION.	
4	75124	ASTA SOSTEGNO TENDINA INERMED. TRAINO ROD, SUPPORT FOR INTERM. CURTAIN STAB, STÜTZE FÜR MITTL.VORHANG BARRE SUPPORT RIDEAU INTERMED. AVANCEMENT VARA SOSTEN CORTINA INERMED. ACCION.	
5	75123	TENDINA INTERMEDIA TRAINO CURTAIN, INTERMEDIATE ZWISCHENVORHANG RIDEAU INTERM. AVANCEMENT CORTINA INTERMEDIA ACCION.	
6	927088	MAGNETE PER MICROINTERRUPTORE MAGNET FOR MICROSWITCH MAGNET FÜR MIKROSCHALTER AIMANT POUR MINIRUPTEUR IMAN PARA MICROINTERRUPTOR	
7	75095	LEVA ECONOMIZZATORE/AUTOTIMER TRAINO LEVER FOR ECONOMIZER/AUTOTIMER FOR RACK C. HEBEL FÜR SPARREGLER/AUTOTIMER KORBTR. LEVIER ECONOMISATEUR/AUTOTIMER AVANCEMENT PALANCA ECONOMIZADOR/AUTOTIMER ACCION.	
8	75069	CARRELLO TRAINO "GOLD80" COMPLETO CARRIAGE FOR RACK-CONVEYOR "GOLD80" COMPL. WAGEN FÜR KORBTR. "GOLD80" KOMPL. CHARIOT AVANCEMENT TRAINO "GOLD80" COMPLET CARRITO ACCION. "GOLD80" COMPLETO	
9	75073	MANIGLIA COLLEGAMENTO TRAINO HANDLE, RACK CONVEYOR CONNECTION GRIFF, KORBTRANSPORTM.VERBIND. POIGNEE CONNECTION AVANCEMENT MANIJA CONEXION ACCION.	
10	75070	TELAIO CARRELLO TRAINO PIEGATO FINITO FRAME TRAILER  BASTIDOR CARRO ACCION. PG ACAB.VER 75068	
11	486169	VITE NOX 4MAX10/4 TBCR-SP SCREW, INOX 4MAX10/4 TBCR-SP SCHRAUBE, INOX 4MAX10/4 TBCR-SP VIS NOX 4MAX10/4 TBCR-SP TORNILLO NOX 4MAX10/4 TBCR-SP	
12	75075	PATTINO CARRELLO TRAINO SLIDING BLOCK FOR RACK-CONVEYOR KUFEN FÜR KORBTR. PATINS PANIER AVANC. PATIN CARRITO ACCION.	
13	75071	SALTARELLO TRAINO DRIVE CLICK ABLAUFVERSCHLUSS CLIQUET D'ARRET AVANCEMENT TRINQUETE ACCION.	
14	75077	BOCCOLA SALTARELLO BUSH, PAWL BUCHSE, ABLAUFVERSCHLUSS BAGUE CLIQUET D'ARRET CASQUILLO TRINQUETE	
15	75076	TAMPONE FERMO TRAINO BUFFER FOR DRIVE STOP PUFFER, HALTEVORRICHTUNG FÜR KORBTRANSPORTAUT. TAMPON ARRET AVANC. TAMPON TOPE ACCION.	

16	486078	VITE TC-CE M6X40 INOX SCREW TC-CE M6X40 INOX SCHRAUBE TC-CE M6X40 INOX VIS TC-CE M6X40 INOX TORNILLO TC-CE M6X40 INOX	
17	75024	GUIDA CESTELLO TRAINO COMPLETA COMPLETE RACK TRACK SLIDE KOMPLETTE FUEHRUNGSSCHIENE FUER KORB-TRANSPORT GLISSIÈRE PANIER COMPLETE POUR SYSTÈME TRACTION GUIA CESTA ACCION. COMPLETA	
18	75058	ROTELLA TRAINO ROLLER FOR RACK CONVEYOR ROLLE FÜR KORBTR. ROULEAUX D'AVANC. RUEDECILLA ACCION.	
19	75231	PARASPRUZZI TRAINO SPLASHGUARD FOR RACK-CONVEYOR SPRITZBLECH FÜR KORBTR. ANTIECLABOUSS. AVANCEM. ANTI-SALPICADURAS ACCION.	
20	75235	ALBERO MOTORE TRAINO COMPLETO DRIVING SHAFT, COMPLETE ANTRIEBSWELLE KOMPL. ARBRE MOTEUR AVANCEMENT COMPLET EJE MOTOR ACCION. COMPLETO	
21	75141	BOCCOLA TRAINO SUPERIORE BUSH, UPPER DRIVE BUCHSE, OB. KORBTRANSPORTMASCHINE BAGUE AVANCEMENT SUP. CASQUILLO ACCION. SUPERIOR	
22	75168	GUARNIZIONE FLANGIA ALBERO TRAINO GASKET, FLANGE, DRIVE SHAFT DICHTUNG, FLANSCH, ANTRIEBSWELLE JOINT BRIDE ARBRE AVANCEMENT JUNTA BRIDA EJE ACCION.	
23	75057	BOCCOLA TRAINO INFERIORE BUSH, LOWER DRIVE BUCHSE, UNT. KORBTRANSPORTMASCHINE BAGUE AVANCEMENT INF. CASQUILLO ACCION. INFERIOR	
24	80871	MICRO MAGNETICO MAGNETIC DOOR SWITCH TUERKONTAKTSCHALTER CONTACTE MAGNETIQUE CONTACTO MAGNETICO	
25	75146	FILTRO RACCOLTA CON MANIGLIA TRAINO FILTER, COLL. WITH RACK CONVEYOR HANDLE FILTER, SAMML. MIT KORBTR.GRIFF FILTRE RECOLTE AVEC POIGNEE AVANCEMENT FILTRO RECOGIDA CON MANIJA ACCION.	
26	75200	FILTRO PIANO TRAINO FILTER, FOR RACK CONVEYOR TABLE FILTER, FÜR KORBTR.TISCH FILTRE PLAQUE AVANCEMENT FILTRO SUPERF. ACCION.	
28	472061	RONDELLA X GUIDA CESTO CL.3 WASHER, FOR BASKET GUIDE CL.3 UNTERLEGSSCHEIBE, FÜR KORB FÜHRUNG KL.3 RONDELLE POUR GUIDE PANIER CL.3 ARANDELA X GUIA CESTA CL. 3	
29	42092	GUIDA FILTRO ASPIRAZIONE U70 GUIDE, EXHAUST. FILTER U70 FÜHRUNG, ABSAUG.FILTER U70 GUIDE FILTRE ASPIRATION U70 GUIA FILTRO ASPIRACION U70	
30	42089	FILTRO ASPIRAZIONE POMPA U70 FILTER, SUCTION FOR PUMP U70 FILTER, ABSAUG. FÜR PUMPE U70 FILTRE ASPIRATION POMPE U70 FILTRO ASPIRACION BOMBA U70	
31	77533	TAPPO VASCA LAVAGGIO WASHING TANK CAP DECKEL TANK BOUCHON CUVE TAPON CUBETA LAVADO	

32	143005	TUBO PRESS.TP 5x11 (CASER/15/NL C4N) PIPE, PRESSURE SWITCH TP 5x11 (CASER/15/NL C4N) ROHR, DRUCKSCHALTER TP 5x11 (CASER/15/NL C4N) TUYAU PRESS.TP 5x11 (CASER/15/NL C4N) TUBO PRES. TP 5x11 (CASER/15/NL C4N)	
33	926049	PRESSOSTATO 761999 180-70 PRESSURE SWITCH 761999 180-70 DRUCKSCHALTER 761999 180-70 PRESSOSTAT 761999 180-70 PRESOSTATO 761999 180-70	
34	984005	GRUPPO CAMPANA PRESSOST.35/40 PRESSURE SWITCH BELL 35/40 GLOCKE, DRUCKSCHALTER 35/40 ENS.BOITE PRESSOSTAT 35/40 GRUPO CAMPANA PRESOSTATO 35/40	
35	42185	PILETTA COMPL.INOX 1"1/2 (01713007) DRAIN, COMPL., INOX 1"1/2 (01713007) ABFLUSS, KOMPL., INOX 1"1/2 (01713007) TUYAU DE VIDANGE COMPL.INOX 1"1/2 (01713007) PILETA COMPL. INOX 1"1/2 (01713007)	
36	75142	BOCCOLA INFERIORE TRAINO BUSH, LOWER RACK-CONVEYOR BUCHSE, UNTEN KORBTR. BAGUE INF. AVANCEMENT CASQUILLO INFERIOR ACCION.	
37	75217	STAFFA MOTORE TRAINO PG FINITO	
38	927246	MICROINTERRUPTORE MS30+CALOTTA VFC03 MICROSWITCH, MS30+NUT VFC03 MIKROSCHALTER, MS30+MUTTER VFC03 MINIRUPTEUR MS30+ECROU VFC03 MICROINTERRUPTOR MS30+CAPERUZA VFC03	
39	CMT13	MOLLA A COMPRESS D 20 L 100 FILO 2 SPRING, COMPRESSION D 20 L 100 WIRE 2 DRUCKFEDER D 20 L 100 DRAHT 2 RESSORT A COMPRESS D 20 L 100 FIL 2 MUELLE DE COMPRESION D 20 L 100 HILO 2	
40	75218	STAFFA AZIONAMENTO MICRO TRAINO PIEGATO FINITO BRACKET TRAGBUEGEL ENTRIER SOPORTE ACTIV. MICRO ACCION. PG ACAB.	
41	60354	VITE REGISTRO FRIZIONE ALFA SCREW, ADJUSTING SCREW FOR FRICTION ALFA JUSTIERSCHRAUBE FÜR KOPPLUNG ALFA VIS REGISTRE FRICTION ALFA TORNILLO REGISTRO FRICCIÓN ALFA	
42	927151	RIDUTTORE MVF-49A 1/36 RED.GEAR MVF-49A 1/36 REDUZIERST. MVF-49A 1/36 REDUCTEUR MVF-49A 1/36 REDUCTOR MVF-49A 1/36	
43	927105	MOTORE 180W MEC71 B5 6-8POLI 400 220/270 MOTOR 180W MEC71 B5 6-8POLES 400 220/270 MOTOR 180W MEC71 B5 6-8POL. 400 220/270 MOTEUR 180W MEC71 B5 6-8POLES 400 220/270 MOTOR 180W MEC71 B5 6-8 POLOS 400V 270	

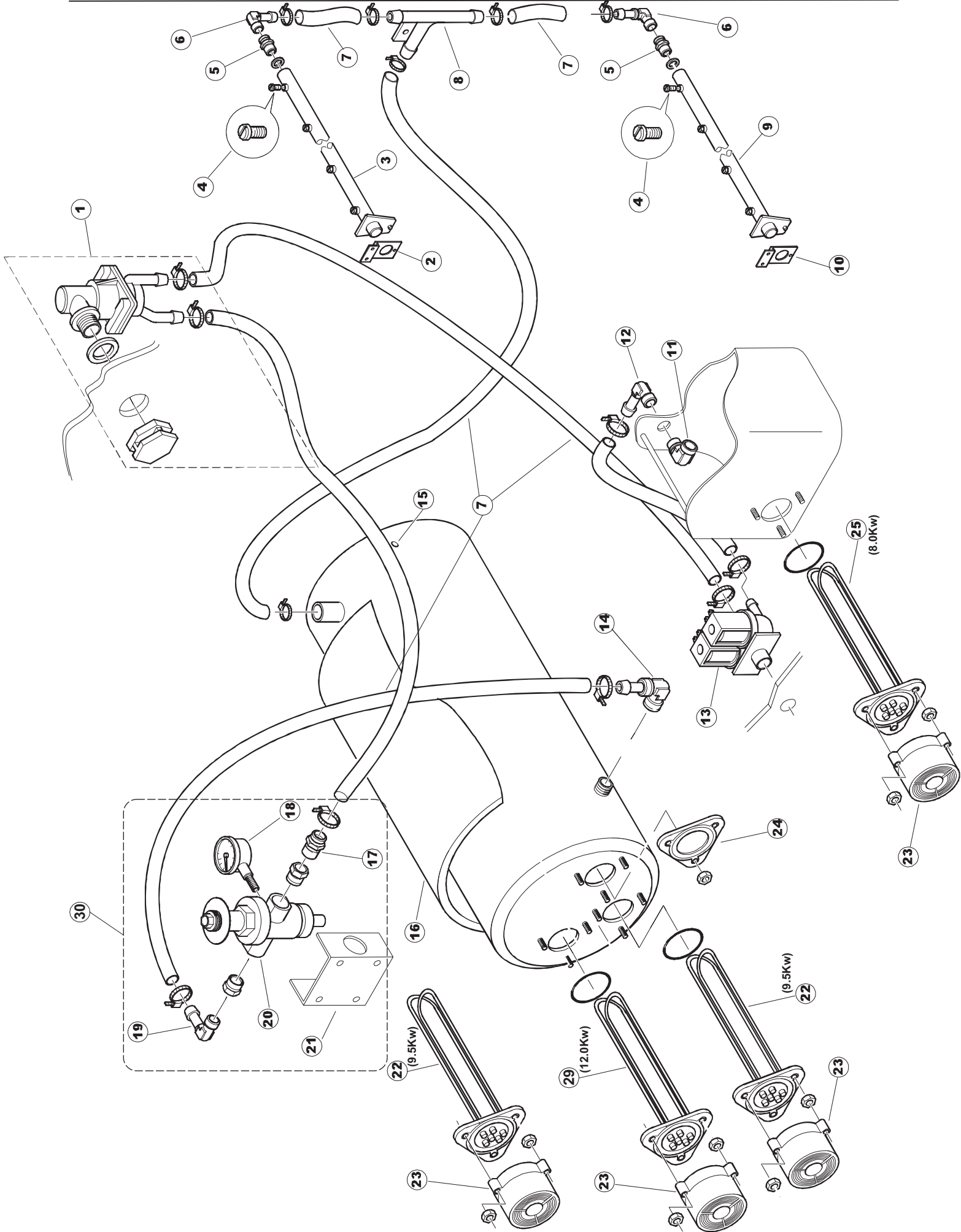




# Pagina 5

1	75182	PANNELLO QUADRO ELETTRICO COMPLETO	
2	80350	CONTACT 230-50/60HZ 3RT1016-1AP01 CONTACT, 230-50/60HZ 3RT1016-1AP01 KONTAKT, 230-50/60HZ 3RT1016-1AP01 CONTACT 230-50/60HZ 3RT1016-1AP01 VER CODIGO 229037	
3	927057	TERMOSTATO 3 CONTATTI 90/110°C TYPE LS1 THERMOSTAT, 3-CONTACT 90/110°C TYPE LS1 THERMOSTAT, 3-KONTAKTE 90/110°C TYP LS1 THERMOSTAT 3 CONTACTS 90/110°C TYPE LS1 TERMOSTATO 3 CONTACTOS 90/110°C TIPO LS1	
4	80351	CONTATTORE TRIPOLARE 40A CONTACTOR TRIPOLAR 40A SCHALTSCHÜTZ DREIPOL. 40A CONTACTEUR TRIPOLAIRE 40A CONTACTOR TRIPOLAR 40A	
5	927038	PORTAFUSIBILE TRIPOLARE GK1-DF FUSE-HOLDER TRIPOLAR GK1-DF SICHERUNGSTRAGER DREIPOL. GK1-DF PORTE-FUSIBLE TRIPOLAIRE GK1-DF PORTA-FUSIBLE TRIPOLAR GK1-DF	
6	DEI35	INT AUT 3X25A 07/1A 3RV1011-0JA10 AUTOM.SWITCH 3X25A 07/1A 3RV1011-0JA10 AUTOMATIKSCHALTER 3X25A 07/1A 3RV1011-0JA10 INTERRUPT. AUT 3X25A 07/1A 3RV1011-0JA10 INT AUT 3X25A 07/1A 3RV1011-0JA10	
7	DEI37	INT AUT 3X25A 1,8/2,5A 3RV1011-1CA10 AUTOM.SWITCH 3X25A 1,8/2,5A 3RV1011-1CA10 AUTOMATIKSCHALTER 3X25A 1,8/2,5A 3RV1011-1CA10 INTERRUPT. AUT 3X25A 1,8/2,5A 3RV1011-1CA10 INT AUT 3X25A 1,8/2,5A 3RV1011-1CA10	
8	DEI40	INT AUT 3X25A 2,8/4A 3RV1011-1EA10 AUTOM.SWITCH 3X25A 2,8/4A 3RV1011-1EA10 AUTOMATIKSCHALTER 3X25A 2,8/4A 3RV1011-1EA10 INTERRUPT. AUT 3X25A 2,8/4A 3RV1011-1EA10 INT AUT 3X25A 2,8/4A 3RV1011-1EA10	
9	DEI40	INT AUT 3X25A 2,8/4A 3RV1011-1EA10 AUTOM.SWITCH 3X25A 2,8/4A 3RV1011-1EA10 AUTOMATIKSCHALTER 3X25A 2,8/4A 3RV1011-1EA10 INTERRUPT. AUT 3X25A 2,8/4A 3RV1011-1EA10 INT AUT 3X25A 2,8/4A 3RV1011-1EA10	
10	H.228048	* CHIUSURA PORTA-FUSIBILE * CLAMPING FOR FUSE-HOLDER * SICHERUNGSTRAGER-VERSCHLUSS * COUVERTURE PORTE-FUSIBLE * CIERRE PORTAFUSIBLE	
11	228004	FUSIBILE 5X20 4A FAST FUSE, 5X20 4A FAST SICHERUNG, 5X20 4A FAST FUSIBLE 5X20 4A FAST FUSIBLE 5X20 4A FAST	
12	H.228047	* PORTA-FUSIBILE * FUSE-HOLDER * SICHERUNGSTRAGER * PORTE-FUSIBLE * PORTAFUSIBLE	
13	77044	VENTILATORE QUADRO COMANDI FAN  VENTILATEUR	
14	215032	SCHEDA ELETTRONICA GET50 MAIN BOARD KARTE CARTE ELECTRONIQUE TARJETA CHORROS50 MICRO 644	
15	228004	FUSIBILE 5X20 4A FAST FUSE, 5X20 4A FAST SICHERUNG, 5X20 4A FAST FUSIBLE 5X20 4A FAST FUSIBLE 5X20 4A FAST	

16	228011	FUSIBILE 5X20 T2A FUZE SICHERUNG FUSIBLE FUSIBLE 5X20 T2A	
17	228012	FUSIBILE 5X20 T160MA FUZE SICHERUNG FUSIBLE FUSIBLE 5X20 T160MA	
18	75953	POLIESTERE LTD  POLIESTER SERIE LTD 2°VEL MBM ACCION.	
19	929115	RELE 16A 230V 62.82 RELAY 16A 230V 62.82 RELAIS 16A 230V 62.82 RELAIS 16A 230V 62.82 RELE 16A 230V 62. 82	
20	75983	MORSETTIERA 4POLI 600V TERMINAL BOARD 4P 600V KLEMMLEISTE 4P 600V BORNIER 4P 600V BORNERO 4POLOS(125A) 600V POTENCIA	
21	231016	SONDA TEMPERATURA TEMP. PROBE KUGEL SONDE SONDA TEMPERATURA (AMPOLLA ACERO)	
22	417119	DADO M3 PLASTICA BIANCO NUT, M3 PLASTIC WHITE SCHRAUBENMUTTER, M3 KUNST. WEISS ECROU M3 PLASTIQUE BLANC TUERCA M3 PLASTICO BLANCO	
23	419036	SPACER SPACER, M3 ABSTANDSSTÜCK, M3 ENTRETOISE M3 DISTANCIADOR M3	
24	80889	TASTIERA COMANDI CONTROL KEYBOARD BEDINGUNGEN-TESTENBRETT TABLEAU A POUSSOIRS COMMANDES TECLADO DE MANDOS	
25	80934	CAVO FLAT COMANDI INFERIORI CAPOT CABLE FLAT CAPOT KABEL FLAT CABLE LIAISON CABLE FLAT MANDOS INFERIORES CAPOT	



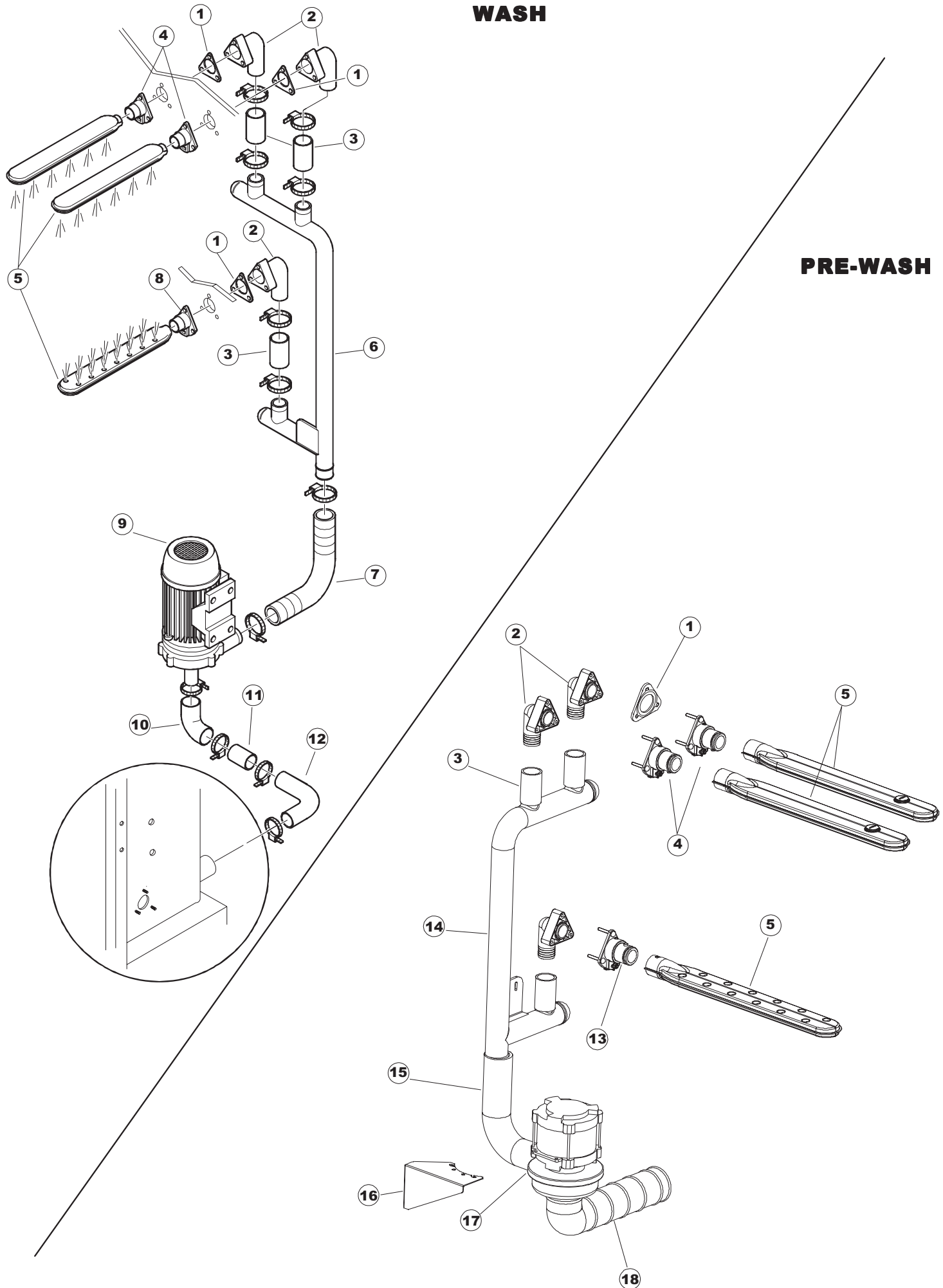
# Pagina 6

1	144010	DISPOSIT.A/R.(EB) CON RACCORDO SFIATO CHECK VALVE (EB) W/DRAIN UNION RÜCKSCHLAGVORR.(EB) MIT ENTLÜFTUNG DISPOSIT.A/R.(EB) AVEC RACCORD DE VIDANGE DISPOSIT. A/R. (EB) CON EMPALME ALIVIAD.	
2	75131	SQUADRA SUPERIORE FISSAGGIO BRACCIO RISCIAQUO PG. BRACKET BEF.WINKEL EQUERRE ESC SUP. FIJACION BRAZO ENJUAGUE PG.ACAB.	
3	75371	BRACCIO SUPERIORE RISCIAQUO COMPLETO RINSE ARM NACHSPUELUNGSARM BRAS DE RINCAGE BRAZO SUP. ENJUAGUE (6 BOQUILLAS) COMPLETO	
4	75133	SPRUZZATORE RISCIAQUO INOX SPRAYER, RINSE, INOX SPRITZDÜSE, NACHSPÜLEN, INOX GICLEUR RINCAGE INOX ROCIADOR ENJUAGUE INOX	
5	75401	RACCORDO BRACCIO RISCIAQUO TRAINO UNION, RINSE ARM TRAINO VERBINDUNGSST., NACHSPÜLARM KORBTR. RACCORD BRAS RINCAGE AVANCEMENT EMPALME BRAZO ENJUAGUE ACCION.	
6	77904	PORTAGOMMA CURVO 3/8F PIPE HOLDER TUERE PORTE-TUYAU PORTAGOMA CURVO 3/8F(ART.GTL6446010C38)	
7	143010	TUBO PRESS.TP 12X19.5 PIPE, PRESSURE SWITCH TP 12X19.5 ROHR, DRUCKSCHALTER TP 12X19.5 TUYAU PRESS.TP 12X19.5 TUBO PRES. TP 12X19. 5	
8	H.882974-001	RACCORDO A "T" IN PLASTICA  EMPALME EN"T"(TS13) DE PLASTICO	
9	75395	BRACCIO INFERIORE MAGG.RISCIAQUO COMPLE LOWER ARM, RINSE COMPL. UNT.ARM, NACHSPÜLEN KOMPL. BRAS INF. RINCAGE COMPLET BRAZO INFERIOR MÁS ENJUAGUE COMPLETO	
10	75129	SQ INF. FISSAGGIO BRACCIO RISCIAQC.PG.F BRACK., LOWER FOR RINSE ARM FIX.PG.F BEFESTIGUNGSWINKEL, UNT. FÜR NACHSPÜLARM PG.F EQ. INF. FIXATION BRAS RINC.PG.F ESC. INF. FIJACION BRAZO ENJUAGUE PG ACAB	
11	927013	RACCORDO OT.3/8X12 SALDATO CROMATO UNION, BRASS 3/8X12 WELDED CHROM.-PLATED VERBINDUNGSST., MESSING 3/8X12 GESCHW. VERCHR. RACCORD LAITON 3/8X12 SOUDE CHROME EMPALME LAT. 3/8X12 SOLDADO CROMADO	
12	929163	RACCORDO IN OTTONE 3/8M CURVO METANO UNION, BRASS 3/8M BEND METHANE VERBINDUNGSST., MESSING 3/8M GEBOG. ERDGAS RACCORD EN LAITON 3/8M COURB METHANE EMPALME LATON 3/8M CURVO METANO	
13	929172	ELETTROVALV.3/4 DOPPIA 220V(341930)P16LT SOLENOID VALVE 3/4 DOUBLE 220V(341930)P16LT ELEKTROVENTIL 3/4 DOPPELT 220V(341930)P16LT ELETTROVALV.3/4 DOUBLE 220V(341930)P16LT ELECTROVALV. 3/4 DOBLE 220V(341930)P16LT	
14	108006C	PORTAGOMMA RUBBER PIPE HOLDER SCHLUACHHALTER PORTE-TUYAU CAOUTCHOUC PORTAGOMA 90° SALIDA CALENTADOR CROMADO	
15	75625	BOILER TRAINO COMPATTA(17LT.) BOILER  CALENTADOR ACCION. COMPATTA(17LT.)	

16	75245	COIBENTAZ BOILER GOLD80 BOILER INSULATION GOLD 80 BOILERISOLIERUNG GOLD 80 ISOLATION CHAUDIERE GOLD80 AISLAMIENTO CALENTADOR GOLD80	
17	927015	RACCORDO IN OTTONE 3/8 PORTAGOMMA D12 UNION, BRASS 3/8 RUBBER-HOLDER D12 VERBINDUNGSST., MESSING 3/8 SCHLAUCHTÜLLE D12 RACCORD EN LAITON 3/8 PORTE-CAOUTCHOUC D12 EMPALME LATON 3/8 EMPALME D12	
18	75998	MANOMETRO PER RIDUTTORE(0-2,5 BAR) MANOMETER FOR RED.GEAR(0-2,5 BAR) MANOMETER FÜR REDUZIERST.(0-2,5 BAR) MANOMETRE POUR REDUCTEUR (0-2,5 BAR) MANOMETRO PARA REDUCTOR(0-2,5 BAR)	
19	929163	RACCORDO IN OTTONE 3/8M CURVO METANO UNION, BRASS 3/8M BEND METHANE VERBINDUNGSST., MESSING 3/8M GEBOG. ERDGAS RACCORD EN LAITON 3/8M COURB METHANE EMPALME LATON 3/8M CURVO METANO	
20	927150	RIDUTTORE PRESSIONE 1/2" RED.GEAR, PRESSURE 1/2" DRUCKMINDERER 1/2" REDUCTEUR PRESSION 1/2" REDUCTOR PRESION 1/2"	
21	75283	STAFFA SOSTEGNO RIDUTTORE PRESSIONE PG.F BRACKET, SUPP. FOR PRESSURE REDUCER PG.F BÜGEL, HALTER FÜR DRUCKMINDERER PG.F ETRIER SUPPORT REDUCTEUR PRESSION PG.F SOPORTE SOSTEN REDUCTOR PRESION PG. F	
22	80398C	RESISTENZA B. 9500W 230V RIVER 82/83 RESISTANCE, B. 9500W 230V RIVER 82/83 WIDERSTAND, B. 9500W 230V RIVER 82/83 RESISTANCE CH. 9500W 230V RIVER 82/83 RESISTENCIA B. 9500W 230V RIVER 82/83	
23	69870	PROTEZIONE RESISTENZA BOILER BOILER HEATING ELEMENT PROTECTION HEIZUNGSSCHUETZ DES WARMWASSERBEREITERS PROTECTION RESISTANCE BOILER PROTECCION RESISTENCIA CALENTADOR	
24	926053	TAPPO/FLANGIA CIECA 170880543 CAP/FLANGE BLIND 170880543 PFROPFEN/FLANSCH BLIND 170880543 BOUCHON/BRIDE BORGNE 170880543 TAPON/BRIDA CIEGA 170880543	
25	230020C	KIT RESISTENZA REB230020 (8KW) KIT, RESISTANCE REB230020 (8KW) KIT, WIDERSTAND REB230020 (8KW) KIT RESISTANCE REB230020 (8KW) KIT RESISTENCIA REB230020 (8KW)	
29	80399C	KIT RESISTENZA 80399 (12KW) READY-TO-ASSEMBLE KIT FOR HEATING ELEMENT 80398 (12K BAUKIT FUER HEIZUNG 80399 (12KW) TROUSSE DE MONTAGE RESISTANCE 80399 (12KW) KIT RESISTENCIA 80399 (12KW)	
30	75977	KIT KIT KIT KIT KIT REDUCTOR PRESION ACCION.	

**WASH**

**PRE-WASH**

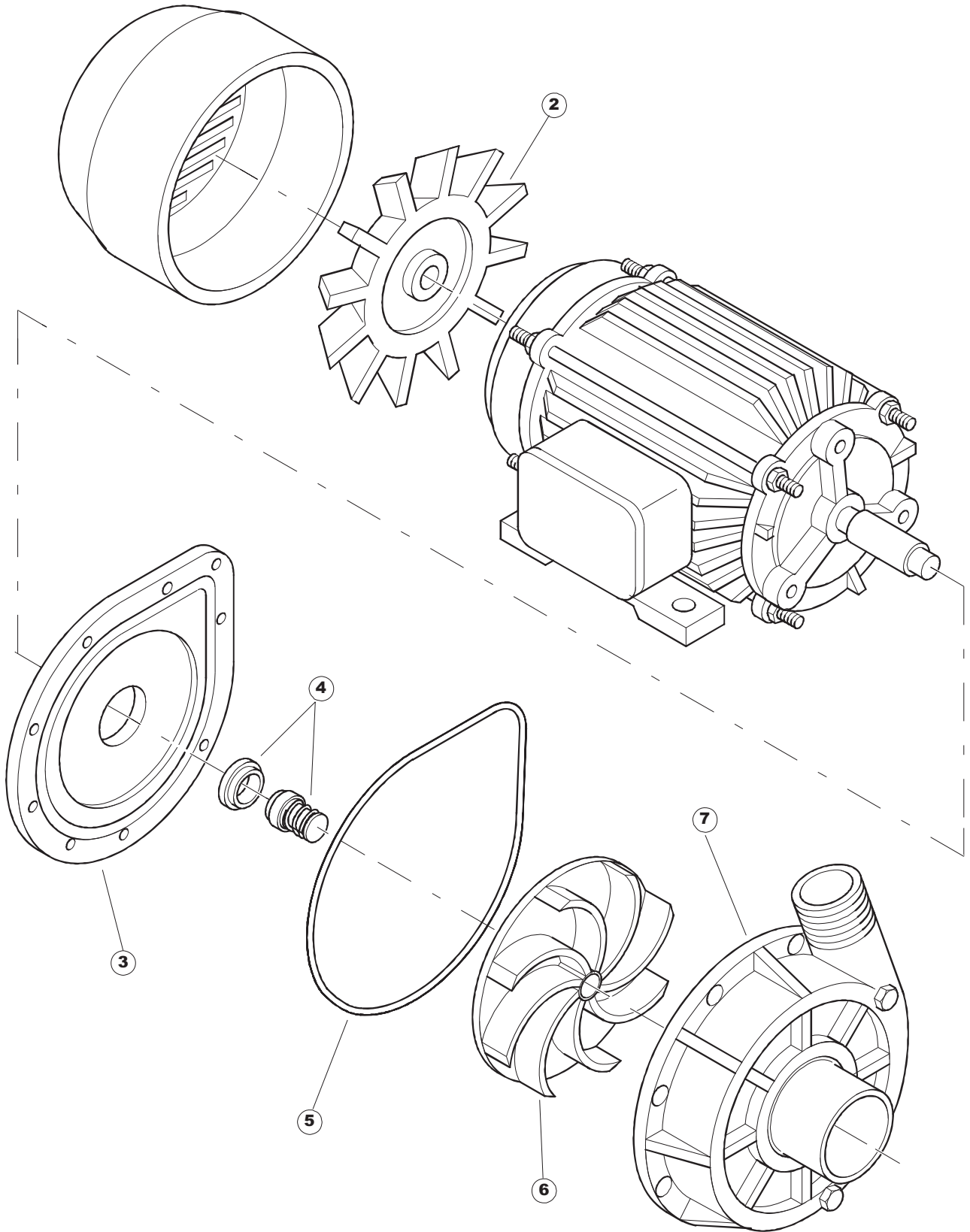


# Pagina 7

1	437050	GUARN.GOMITO PORTAGOMMA MOD 22 GASKET, ELBOW RUBBER-HOLDER MOD 22 DICHTUNG, KNIESTÜCK SCHLAUCHTÜLLE MOD 22 JOINT COUDE PORTE-CAOUTCHOUC MOD 22 JUNTA CODO EMPALME MOD 22	
2	75155	RACCORDO LAVAGGIO ESTERNO TRAINO UNION, WASH.OUTS. RACK CONVEYOR VERBINDUNGSST., AUSS. SPÜL. KORBTR. RACCORD LAVAGE EXTERIEUR AVANCEMENT EMPALME LAVADO EXTERNO ACCION.	
3	75154	MANICOTTO MANDTA LAVAGGIO TRAINO SLEEVE, WASH. DELIVERY FOR RACK CONVEYOR MUFFE, SPÜL.VERSORGUNG FÜR KORBTRANSPORTM. MANCHON REFOUL. LAVAGE AVANCEMENT MANGUITO IMPULSION LAVADO ACCION.	
4	75169	ATTACCO LANCIA SUPERIORE COMPLETO UNION, UPPER WASH-ARM ASSB. VERBIND., OB. LANZE KOMPL. FIXATION RAMPE SUP. COMPLETE CONEXION LANZA SUPERIOR COMPLETA	
5	75616	BRACCIO LAVAGGIO WASH ARM SPUELARM  BRAZO LAVADO (TUERCA 10,5X4MM)	
6	75165	TUBO MANDATA LAVAGGIO TRAINO PIPE, DELIVERY PIPE FOR HOOD-TYPE WASHING ZUFLUSSROHR FÜR SPÜLEN / KORBTRANSP. TUYAU REFOULEMENT LAVAGE AVANCEMENT TUBO IMPULSION LAVADO ACCION.	
7	80187	MANICOTTO MANDATA POMPA RIVER 82/83 SLEEVE, PUMP DELIVERY RIVER 82/83 MUFFE, ZUFUHR PUMPE RIVER 82/83 MANCHON REFOUL. POMPE RIVER 82/83 MANGUITO IMPULSION BOMBA RIVER 82/83	
8	75171	ATTACCO LANCIA INFERIORE COMPLETO UNION, LOWER WASH-ARM ASSB. VERBIND., UNT. LANZE KOMPL. FIXATION RAMPE INF. COMPLETE CONEXION LANZA INFERIOR COMPLETA	
9	926150	POMPA 4225/2 1.4KW 230/400-240/415 50HZ PUMP 4225/2 1.4KW 230/400-240/415 50HZ PUMPE 4225/2 1.4KW 230/400-240/415 50HZ POMPE 4225/2 1.4KW 230/400-240/415 50HZ BOMBA 4225/2 1.4KW 230/400-240/415 50HZ	
10	926056	GOMITO GOMMA ASPIRAZIONE POMPA 120/140 ELBOW, RUBBER, EXHAUST. PUMP 120/140 KNIESTÜCK, GUMMI, ABSAUG.PUMPE 120/140 COUDE CAOUTCHOUC ASPIRATION POMPE 120/140 CODO GOMA ASPIRACION BOMBA 120/140	
11	42028	TRONCHETTO ASPIRAZIONE  TRONCO ASPIRACION (EMBUTIDO)	
12	929164	GOMITO IN GOMMA P2703 SAIAG ELBOW, RUBBER P2703 SAIAG KNIESTÜCK, GUMMI P2703 SAIAG COUDE EN CAOUTCHOUC P2703 SAIAG CODO DE GOMA P2703 SAIAG	
13	75171	ATTACCO LANCIA INFERIORE COMPLETO UNION, LOWER WASH-ARM ASSB. VERBIND., UNT. LANZE KOMPL. FIXATION RAMPE INF. COMPLETE CONEXION LANZA INFERIOR COMPLETA	
14	75165	TUBO MANDATA LAVAGGIO TRAINO PIPE, DELIVERY PIPE FOR HOOD-TYPE WASHING ZUFLUSSROHR FÜR SPÜLEN / KORBTRANSP. TUYAU REFOULEMENT LAVAGE AVANCEMENT TUBO IMPULSION LAVADO ACCION.	
15	77562	MANICOTTO MANDATA PRELAVAGGIO SINISTRO RUBBER SLEEVE-SUPPLY SIDE ZUFUHRUNGSMUFFE MANCHON DE DEBIT MANGUITO IMPULSION PRELAV. IZQDA	

16	77554	STAFFA POMPA PRELAVAGG. PG FINITO	
17	77553	ELETTROPOMPA 0,8 KW 230-400V/3PH/50HZ ELECTROPUMP 0,8 KW 230-400V/3/50HZ MOTORPUMPE 0,80KW 230-400V/3/50HZ MOTOPOMPE 0,8 KW 230-400V/3/50HZ ELECTROBOMBA 0,8KW 230-400V/3/50HZ(ZF400SX)	
18	80186	MANICOTTO ASPIRAZ.POMPA RIVER SLEEVE, SUCT.PUMP RIVER MUFFE, ABSAUG.PUMPE RIVER MANCHON ASPIRAT.POMPE RIVER MANGUITO ASPIRAC. BOMBA RIVER	

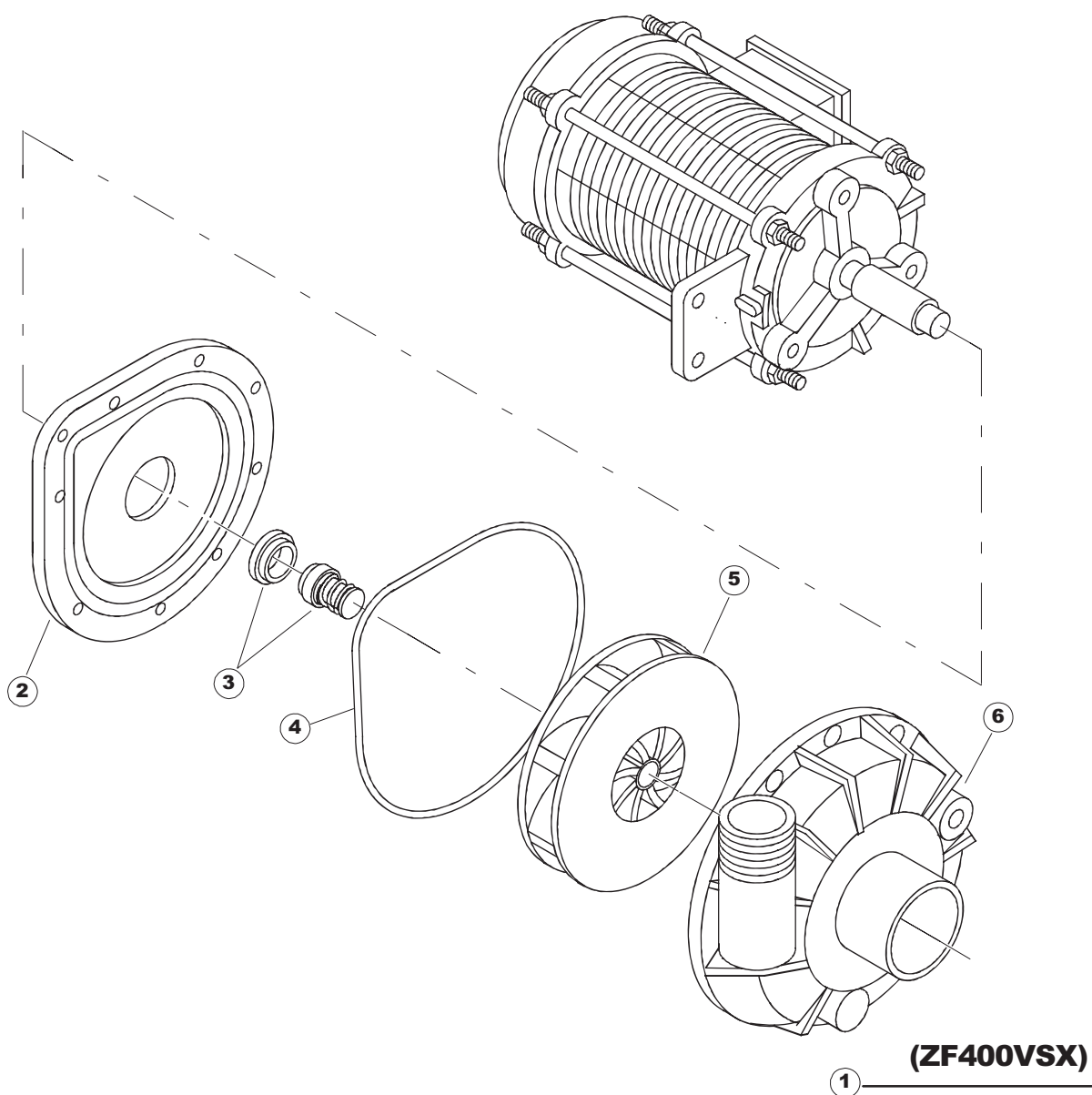




**422522725**

# Pagina 8

1	926150	POMPA 4225/2 1.4KW 230/400-240/415 50HZ PUMP 4225/2 1.4KW 230/400-240/415 50HZ PUMPE 4225/2 1.4KW 230/400-240/415 50HZ POMPE 4225/2 1.4KW 230/400-240/415 50HZ BOMBA 4225/2 1.4KW 230/400-240/415 50HZ	
2	335003	VENTOLA 1295/2277 FAN 1295/2277 GEBL. 1295/2277 VENT. 1295/2277 ROTOR 1295/2277	
3	80880	FLANGIA PER ELETTROPOMPA 4225/2 ELECTROPUMP FLANGE 4225/2 FLANSCH FUER MOTOPOMPE 4225/2 BRIDE POUR MOTOPOMPE 4225/2 BRIDA EL.BOMBA 4225/2 (PM4225320)	
4	141002	TENUTA MECCANICA ROTANTE D 12 SEAL, MECH., REVOLVING D 12 DICHTUNG, MECH., ROTIER. D 12 JOINT MECANIQUE PIVOTANT 12 SELLO MECANICO GIRAT. D 12	
5	456023	OR FIR 1225-41-95 O-ring FIR 1225-41-95 O-Ring FIR 1225-41-95 OR FIR 1225-41-95 OR FIR 1225-41-95	
6	124002	GIRANTE POMPA 50HZ 1225 PUMP IMPELLER 50HZ 1225 LAUFRAD, PUMPE 50HZ 1225 ROUE POMPE 50HZ 1225 ROTOR BOMBA 50HZ 1225	
7	80882	CHIOCC EL.POMPA 4225/2 1295303/B C/TAPPO	



# Pagina 9

1	77553	ELETTROPOMPA 0,8 KW 230-400V/3PH/50HZ ELECTROPUMP 0,8 KW 230-400V/3/50HZ MOTORPUMPE 0,80KW 230-400V/3/50HZ MOTOPOMPE 0,8 KW 230-400V/3/50HZ ELECTROBOMBA 0,8KW 230-400V/3/50HZ(ZF400SX)	
2	315011	FLANGIA POMPA LGB T-150/160/170 FLANGE, PUMP LGB T-150/160/170 FLANSCH, PUMPE LGB T-150/160/170 BRIDE POMPE LGB T-150/160/170 BRIDA BOMBA LGB T-150/160/170	
3	926255	TENUTA MECCANICA PER EL./POMPA ZF40V SEAL, MECH. FOR MOTORPUMP ZF40V DICHTUNG, MECH. FÜR ELEKTROPUMPE ZF40V JOINT MECANIQUE PER ELECTROP. ZF40V SELLO MECANICO PARA ELECTROBOMBA ZF40V	
4	456031	OR T30-1297 D.2 O-ring T30-1297 D.2 O-Ring T30-1297 D.2 OR T30-1297 D.2 OR T30-1297 D. 2	
5	77520	GIRANTE PER ELETTROPOMPA ELECTROPUMP IMPELLER FLUEGELRAD FUER MOTORPUMPE TURBINE POUR MOTORPUMPE ROTOR ELECTROBOMBA (ZF350M8SX D=100)	
6	116013	CORPO POMPA S651 T150-160 PUMP SHELL, S651 T150-160 PUMPENGEHAUSE, S651 T150-160 CORPS POMPE S651 T150-160 CUERPO BOMBA S651 T150-160	