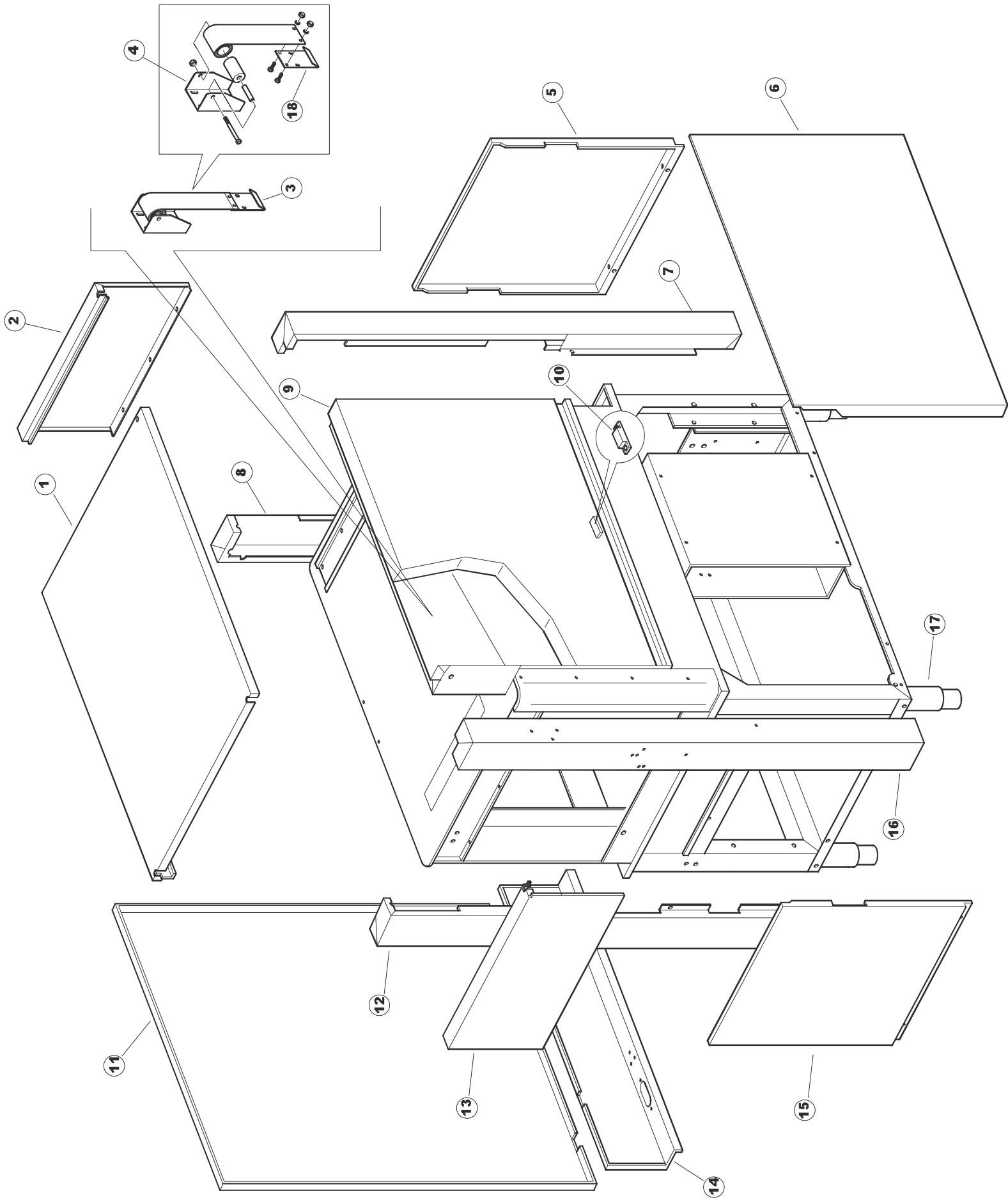


**M B M**

**SPARE PARTS CATALOGUE  
ERSATZTEILKATALOG  
CATALOGUE PIECES DETACHEES  
CATALOGO PARTI RICAMBIO  
CATALOGO DE PIEZAS DE RECAMBIO  
CATALOGO PEÇAS DE REPOSICAO**

**Domina  
LTD 209**

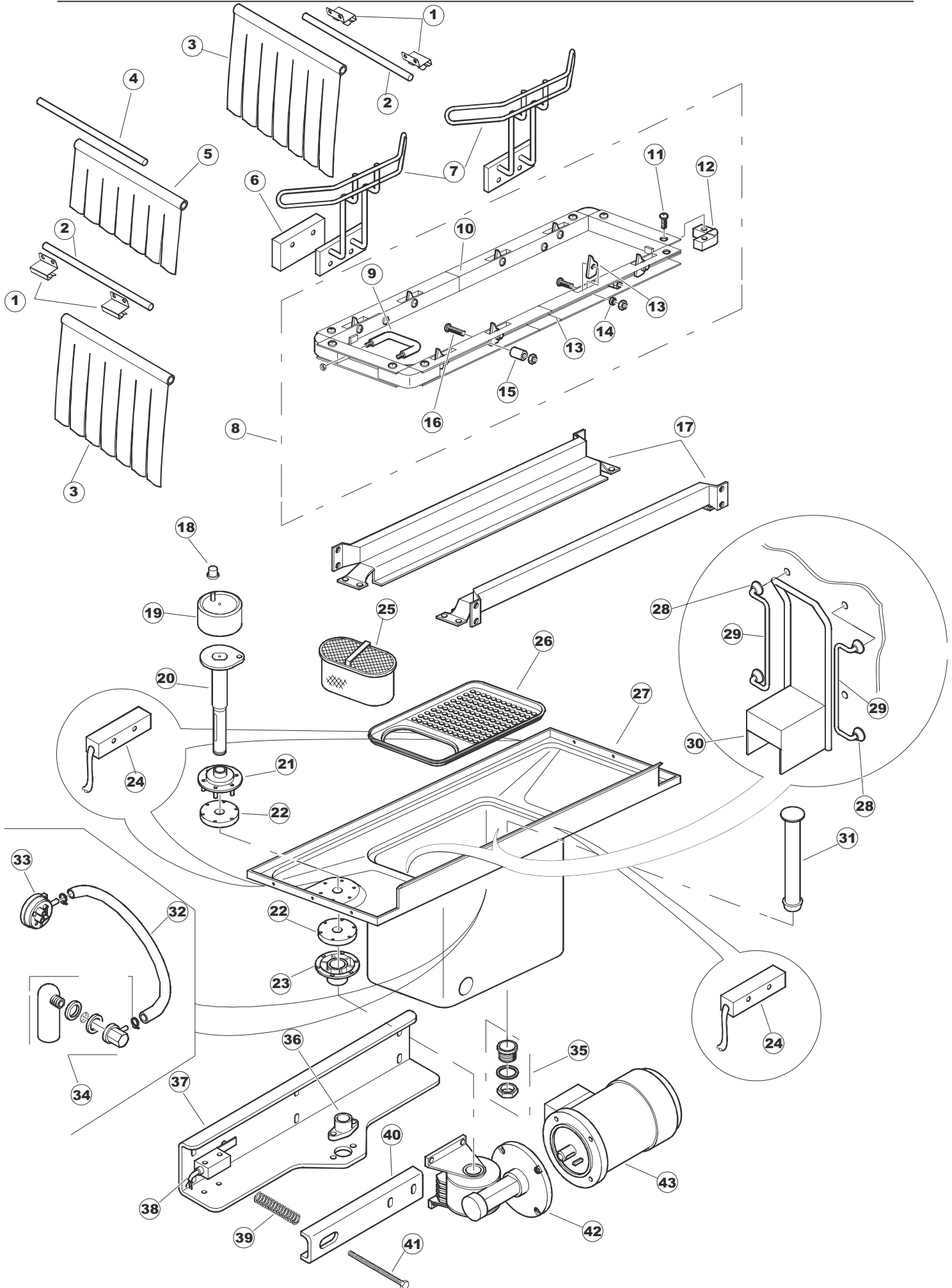
**22-07-2009**



# Pagina 1

1	75050	PANNELLO SUP EST. TRAINO PG FINITO PANEL, UPPER OUT. FOR RACK CONV.PG FINISHED PLATTE, OB. AUSS. FÜR KORBTR.PG MASCHINENFERTIG PANNEAU SUP EXT. AVANC. PG FINI PANEL SUP EXT. ACCION. PG ACAB.	
2	75035	FACCIATINA ESTERNA SUP. PIEGATO FINITO  FACHADA EXTERNA SUP PG ACAB.	
3	75271	KIT MOLLE SPORTELO GOLD80/RIVER150 KIT DOOR SPRINGS GOLD80/RIVER150 KIT TÜRFEDER GOLD80/RIVER150 KIT RESSORTS VOLET GOLD80/RIVER150 KIT MUELLES PUERTA GOLD80/RIVER150	
4	75225	SCATOLA SUPPORTO MOLLE SPORT. PG FINITO  CAJA SOPORTE MUELLE PUERTA PG ACAB.	
5	75053	PANNELLO LATERIALE TRAINO PG FINITO SIDE PANEL SEITENPANEEL PANNEAU LATERAL PANEL LAT TRAINO PG ACAB.	
6	75052	PANNELLO ANT. TRAINO (COMPLETO) NEUTRO FRONT PANEL VORDER-PANEEL PANNEAU AVANT PANEL DELANT.TRAINO (COMPLETO) NEUTRO	
7	75039	PANNELLO ANG ANT DX PG FINITO	
8	75040	PANNELLO ANGOLARE POSTERIORE DESTRO PIEGATO FINITO BACK ANGLE RIGHT PANEL  PANEL ANG TRASERO DCHO. PG ACABADO	
9	75082	SPORTELO TRAINO COMPLETO COMPLETE DOOR KOMPLETTE TUER PORTE COMPLETE PUERTA ACCION. COMPLETA	
10	926014	MAGNETE 8x16x40 + CUST.xDEM201 MAGNET 8x16x40 + CUST.xDEM201 MAGNET 8x16x40 + CUST.xDEM201 AIMANT 8x16x40 + CUST.xDEM201 IMAN 8x16x40 + CUST. xDEM201	
11	75244	PANNELLO POSTER.SUP. TRAINO PG FINITO BACK PANEL RUECKWAND PANNEAU POSTERIEUR PANEL TRASERO SUP. ACCION. PG ACABADO	
12	75041	PANNELLO ANG POST. SX PG FINITO BACK PANEL RUECKWAND PANNEAU ANGLE POSTERIEUR PANEL ANG TRASERO IZQDO. PG ACAB.	
13	75035	FACCIATINA ESTERNA SUP. PIEGATO FINITO  FACHADA EXTERNA SUP PG ACAB.	
14	75043	SOST=75080+75244	
15	75053	PANNELLO LATERIALE TRAINO PG FINITO SIDE PANEL SEITENPANEEL PANNEAU LATERAL PANEL LAT TRAINO PG ACAB.	

16	75038	PANNELLO ANGOLARE ANTERIORE SINISTRO PIEGATO FINITO CORNER FRONT PANEL RUECKWAND PANNEAU ANGLE ANTERIEUR PANEL ANG DELANT. IZQDO. PG ACAB.	
17	926117	PIEDE REGOLABILE X CAPOTT.3LINEA FOOT, ADJUST. X CAPOTT.3LINE VERSTELLFUSS X HAUB.3LEIT. PIED REGLABLE POUR CAPOT.3LIGNE PATA REGULABLE X CAPOTA 3LINEA	
18	75226	GANCIO MOLLA SPORTELLO TRAINO PG FINITO SPRING HOOK FEDER-HAKEN CROCHAGE RESSORT GANCHO MUELLE PUERTA ACCION. PG ACAB.	



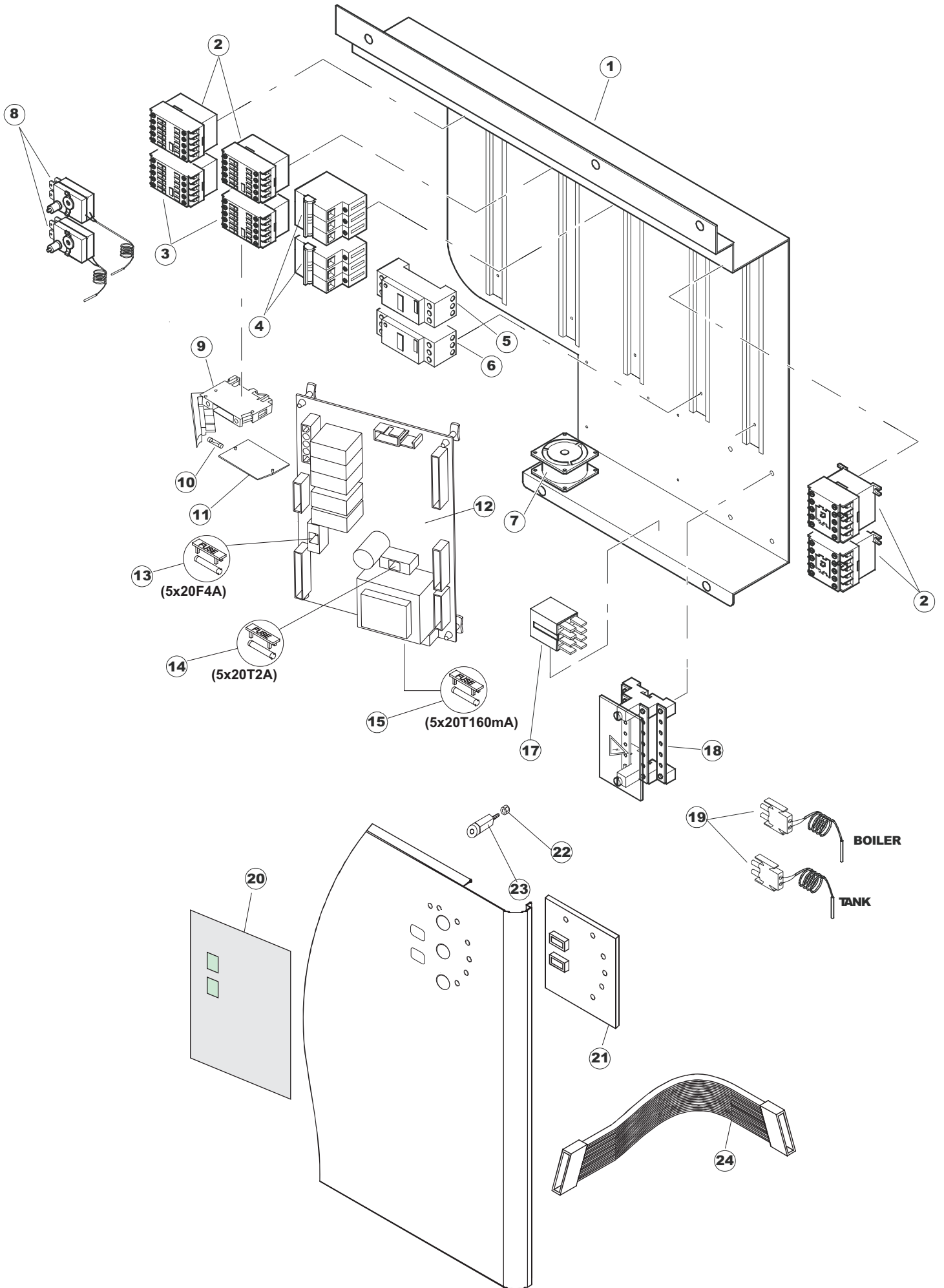
## Pagina 2

1	75581	SQ. SUPPORTO TENDINA PG FINITA CURTAIN SUPPORTING BRACKET - FINISHED PART BEFESTIGUNGSWINKEL FUER VORHANG - FERTIGTEIL ÉQUERRE SUPPORT RIDEAU PG - ACHEVÉE ESC. SOPORTE CORTINA PG ACABADA	
2	75121	ASTA SOSTEGNO TENDINA TRAINO ROD, SSUPPORT FOR CURTAIN STAB, STÜTZE FÜR VORHANG BARRE SUPPORT RIDEAU AVANCEMENT VARA SOSTEN CORTINA ACCION.	
3	75120	TENDINE ENTRATA/USCITA TRAINO CURTAIN, INPUT/OUTPUT VORHANG, EINTRITT/AUSTRITT RIDEAUX ÉNTREE/SORTIE AVANCEMENT CORTINAS ENTRADA/SALIDA ACCION.	
4	75124	ASTA SOSTEGNO TENDINA INERMED. TRAINO ROD, SUPPORT FOR INTERM. CURTAIN STAB, STÜTZE FÜR MITTL.VORHANG BARRE SUPPORT RIDEAU INTERMED. AVANCEMENT VARA SOSTEN CORTINA INERMED. ACCION.	
5	75123	TENDINA INTERMEDIA TRAINO CURTAIN, INTERMEDIATE ZWISCHENVORHANG RIDEAU INTERM. AVANCEMENT CORTINA INTERMEDIA ACCION.	
6	927088	MAGNETE PER MICROINTERRUPTORE MAGNET FOR MICROSWITCH MAGNET FÜR MIKROSCHALTER AIMANT POUR MINIRUPTEUR IMAN PARA MICROINTERRUPTOR	
7	75095	LEVA ECONOMIZZATORE/AUTOTIMER TRAINO LEVER FOR ECONOMIZER/AUTOTIMER FOR RACK C. HEBEL FÜR SPARREGLER/AUTOTIMER KORBTR. LEVIER ECONOMISATEUR/AUTOTIMER AVANCEMENT PALANCA ECONOMIZADOR/AUTOTIMER ACCION.	
8	75069	CARRELLO TRAINO "GOLD80" COMPLETO CARRIAGE FOR RACK-CONVEYOR "GOLD80" COMPL. WAGEN FÜR KORBTR. "GOLD80" KOMPL. CHARIOT AVANCEMENT TRAINO "GOLD80" COMPLET CARRITO ACCION. "GOLD80" COMPLETO	
9	75073	MANIGLIA COLLEGAMENTO TRAINO HANDLE, RACK CONVEYOR CONNECTION GRIFF, KORBTRANSPORTM.VERBIND. POIGNEE CONNECTION AVANCEMENT MANIJA CONEXION ACCION.	
10	75070	TELAIO CARRELLO TRAINO PIEGATO FINITO FRAME TRAILER  BASTIDOR CARRO ACCION. PG ACAB.VER 75068	
11	486169	VITE NOX 4MAX10/4 TBCR-SP SCREW, INOX 4MAX10/4 TBCR-SP SCHRAUBE, INOX 4MAX10/4 TBCR-SP VIS NOX 4MAX10/4 TBCR-SP TORNILLO NOX 4MAX10/4 TBCR-SP	
12	75075	PATTINO CARRELLO TRAINO SLIDING BLOCK FOR RACK-CONVEYOR KUFEN FÜR KORBTR. PATINS PANIER AVANC. PATIN CARRITO ACCION.	
13	75071	SALTARELLO TRAINO DRIVE CLICK ABLAUFVERSCHLUSS CLIQUET D'ARRET AVANCEMENT TRINQUETE ACCION.	
14	75077	BOCCOLA SALTARELLO BUSH, PAWL BUCHSE, ABLAUFVERSCHLUSS BAGUE CLIQUET D'ARRET CASQUILLO TRINQUETE	
15	75076	TAMPONE FERMO TRAINO BUFFER FOR DRIVE STOP PUFFER, HALTEVORRICHTUNG FÜR KORBTRANSPORTAUT. TAMPON ARRET AVANC. TAMPON TOPE ACCION.	

16	486078	VITE TC-CE M6X40 INOX SCREW TC-CE M6X40 INOX SCHRAUBE TC-CE M6X40 INOX VIS TC-CE M6X40 INOX TORNILLO TC-CE M6X40 INOX	
17	75024	GUIDA CESTELLO TRAINO COMPLETA COMPLETE RACK TRACK SLIDE KOMPLETTE FUEHRUNGSSCHIENE FUER KORB-TRANSPORT GLISSIÈRE PANIER COMPLETE POUR SYSTÈME TRACTION GUIA CESTA ACCION. COMPLETA	
18	75058	ROTELLA TRAINO ROLLER FOR RACK CONVEYOR ROLLE FÜR KORBTR. ROULEAUX D'AVANC. RUEDECILLA ACCION.	
19	75231	PARASPRUZZI TRAINO SPLASHGUARD FOR RACK-CONVEYOR SPRITZBLECH FÜR KORBTR. ANTIECLABOUSS. AVANCEM. ANTI-SALPICADURAS ACCION.	
20	75235	ALBERO MOTORE TRAINO COMPLETO DRIVING SHAFT, COMPLETE ANTRIEBSWELLE KOMPL. ARBRE MOTEUR AVANCEMENT COMPLET EJE MOTOR ACCION. COMPLETO	
21	75141	BOCCOLA TRAINO SUPERIORE BUSH, UPPER DRIVE BUCHSE, OB. KORBTRANSPORTMASCHINE BAGUE AVANCEMENT SUP. CASQUILLO ACCION. SUPERIOR	
22	75168	GUARNIZIONE FLANGIA ALBERO TRAINO GASKET, FLANGE, DRIVE SHAFT DICHTUNG, FLANSCH, ANTRIEBSWELLE JOINT BRIDE ARBRE AVANCEMENT JUNTA BRIDA EJE ACCION.	
23	75057	BOCCOLA TRAINO INFERIORE BUSH, LOWER DRIVE BUCHSE, UNT. KORBTRANSPORTMASCHINE BAGUE AVANCEMENT INF. CASQUILLO ACCION. INFERIOR	
24	80871	MICRO MAGNETICO MAGNETIC DOOR SWITCH TUERKONTAKTSCHALTER CONTACTE MAGNETIQUE CONTACTO MAGNETICO	
25	75146	FILTRO RACCOLTA CON MANIGLIA TRAINO FILTER, COLL. WITH RACK CONVEYOR HANDLE FILTER, SAMML. MIT KORBTR.GRIFF FILTRE RECOLTE AVEC POIGNEE AVANCEMENT FILTRO RECOGIDA CON MANIJA ACCION.	
26	75200	FILTRO PIANO TRAINO FILTER, FOR RACK CONVEYOR TABLE FILTER, FÜR KORBTR.TISCH FILTRE PLAQUE AVANCEMENT FILTRO SUPERF. ACCION.	
28	472061	RONDELLA X GUIDA CESTO CL.3 WASHER, FOR BASKET GUIDE CL.3 UNTERLEGSSCHEIBE, FÜR KORB FÜHRUNG KL.3 RONDELLE POUR GUIDE PANIER CL.3 ARANDELA X GUIA CESTA CL. 3	
29	42092	GUIDA FILTRO ASPIRAZIONE U70 GUIDE, EXHAUST. FILTER U70 FÜHRUNG, ABSAUG.FILTER U70 GUIDE FILTRE ASPIRATION U70 GUIA FILTRO ASPIRACION U70	
30	42089	FILTRO ASPIRAZIONE POMPA U70 FILTER, SUCTION FOR PUMP U70 FILTER, ABSAUG. FÜR PUMPE U70 FILTRE ASPIRATION POMPE U70 FILTRO ASPIRACION BOMBA U70	
31	75262	TROPPOP INOX COMPL TRAINO OVERFLOW, INOX COMPL.FOR HOOD-TYPE ÜBERLAUF, INOX KOMPL.FÜR KORBTRANSP. TROP-PLEIN INOX COMPL AVANCEMENT REBOSE INOX COMPL ACCION.	

32	143005	TUBO PRESS.TP 5x11 (CASER/15/NL C4N) PIPE, PRESSURE SWITCH TP 5x11 (CASER/15/NL C4N) ROHR, DRUCKSCHALTER TP 5x11 (CASER/15/NL C4N) TUYAU PRESS.TP 5x11 (CASER/15/NL C4N) TUBO PRES. TP 5x11 (CASER/15/NL C4N)	
33	926049	PRESSOSTATO 761999 180-70 PRESSURE SWITCH 761999 180-70 DRUCKSCHALTER 761999 180-70 PRESSOSTAT 761999 180-70 PRESOSTATO 761999 180-70	
34	984005	GRUPPO CAMPANA PRESSOST.35/40 PRESSURE SWITCH BELL 35/40 GLOCKE, DRUCKSCHALTER 35/40 ENS.BOITE PRESSOSTAT 35/40 GRUPO CAMPANA PRESOSTATO 35/40	
35	42185	PILETTA COMPL.INOX 1"1/2 (01713007) DRAIN, COMPL., INOX 1"1/2 (01713007) ABFLUSS, KOMPL., INOX 1"1/2 (01713007) TUYAU DE VIDANGE COMPL.INOX 1"1/2 (01713007) PILETA COMPL. INOX 1"1/2 (01713007)	
36	75142	BOCCOLA INFERIORE TRAINO BUSH, LOWER RACK-CONVEYOR BUCHSE, UNTEN KORBTR. BAGUE INF. AVANCEMENT CASQUILLO INFERIOR ACCION.	
37	75217	STAFFA MOTORE TRAINO PG FINITO	
38	927246	MICROINTERRUPTORE MS30+CALOTTA VFC03 MICROSWITCH, MS30+NUT VFC03 MIKROSCHALTER, MS30+MUTTER VFC03 MINIRUPTEUR MS30+ECROU VFC03 MICROINTERRUPTOR MS30+CAPERUZA VFC03	
39	CMT13	MOLLA A COMPRESS D 20 L 100 FILO 2 SPRING, COMPRESSION D 20 L 100 WIRE 2 DRUCKFEDER D 20 L 100 DRAHT 2 RESSORT A COMPRESS D 20 L 100 FIL 2 MUELLE DE COMPRESION D 20 L 100 HILO 2	
40	75218	STAFFA AZIONAMENTO MICRO TRAINO PIEGATO FINITO BRACKET TRAGBUEGEL ENTRIER SOPORTE ACTIV. MICRO ACCION. PG ACAB.	
41	60354	VITE REGISTRO FRIZIONE ALFA SCREW, ADJUSTING SCREW FOR FRICTION ALFA JUSTIERSCHRAUBE FÜR KOPPLUNG ALFA VIS REGISTRE FRICTION ALFA TORNILLO REGISTRO FRICCIÓN ALFA	
42	927102	RIDUTTORE MVF-49A 1/60 160/220 RED.GEAR MVF-49A 1/60 160/220 REDUZIERST. MVF-49A 1/60 160/220 REDUCTEUR MVF-49A 1/60 160/220 REDUCTOR MVF-49A 1/60 160/220	
43	927104	MOTORE 180W MEC71 B5 - 8POLI 230/400 160 MOTOR 180W MEC71 B5 - 8-POLES 230/400 160 MOTOR 180W MEC71 B5 - 8-POL. 230/400 160 MOTEUR 180W MEC71 B5 - 8POLES 230/400 160 MOTOR 180W MEC71 B5 - 8 POLOS 230/400 160	

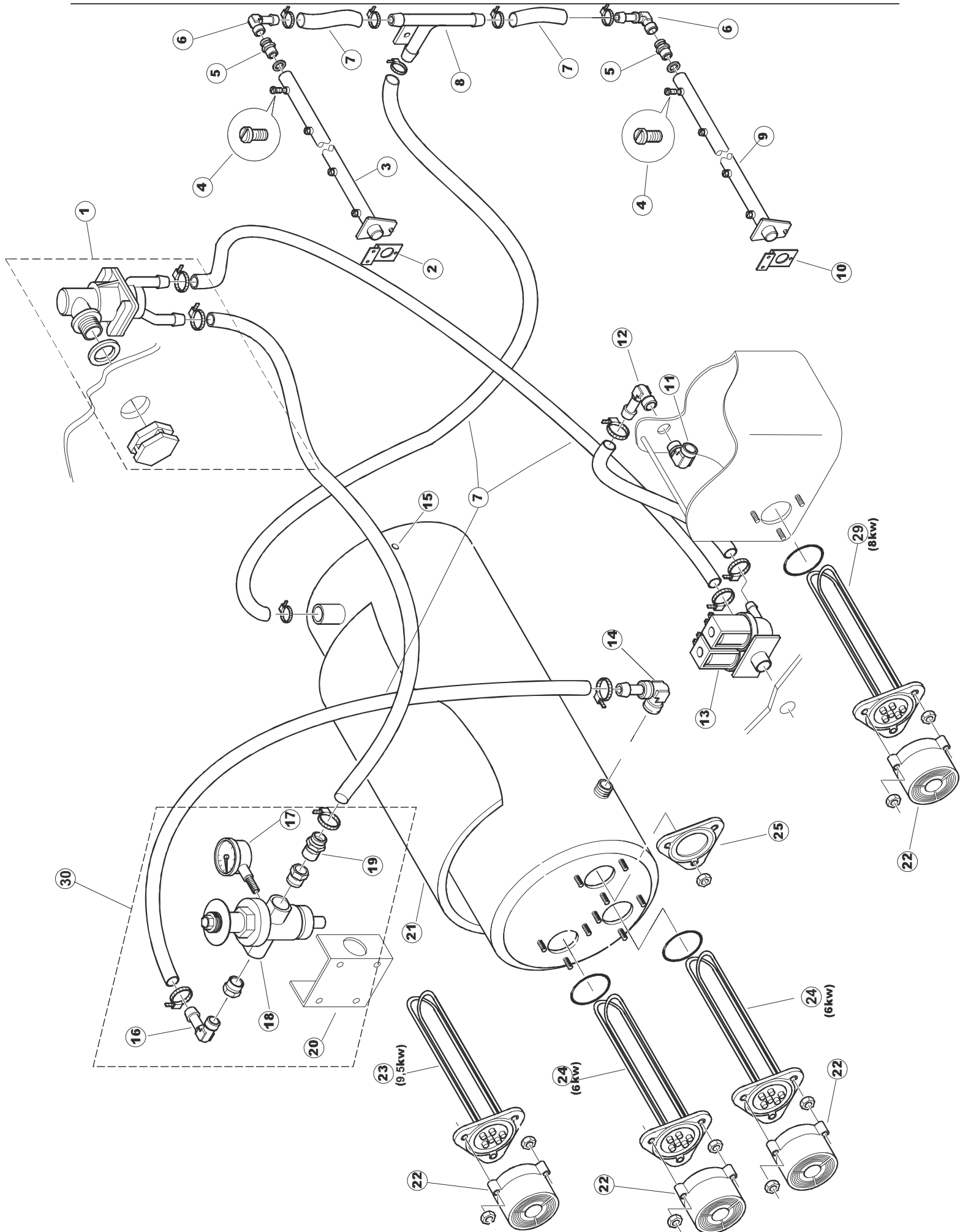




# Pagina 3

1	75182	PANNELLO QUADRO ELETTRICO COMPLETO	
2	80350	CONTACT 230-50/60HZ 3RT1016-1AP01 CONTACT, 230-50/60HZ 3RT1016-1AP01 KONTAKT, 230-50/60HZ 3RT1016-1AP01 CONTACT 230-50/60HZ 3RT1016-1AP01 VER CODIGO 229037	
3	80351	CONTATTORE TRIPOLARE 40A CONTACTOR TRIPOLAR 40A SCHALTSCHÜTZ DREIPOL. 40A CONTACTEUR TRIPOLAIRE 40A CONTACTOR TRIPOLAR 40A	
4	927038	PORTAFUSIBILE TRIPOLARE GK1-DF FUSE-HOLDER TRIPOLAR GK1-DF SICHERUNGSTRAGER DREIPOL. GK1-DF PORTE-FUSIBLE TRIPOLAIRE GK1-DF PORTA-FUSIBLE TRIPOLAR GK1-DF	
5	DEI35	INT AUT 3X25A 07/1A 3RV1011-0JA10 AUTOM.SWITCH 3X25A 07/1A 3RV1011-0JA10 AUTOMATIKSCHALTER 3X25A 07/1A 3RV1011-0JA10 INTERRUPT. AUT 3X25A 07/1A 3RV1011-0JA10 INT AUT 3X25A 07/1A 3RV1011-0JA10	
6	DEI40	INT AUT 3X25A 2,8/4A 3RV1011-1EA10 AUTOM.SWITCH 3X25A 2,8/4A 3RV1011-1EA10 AUTOMATIKSCHALTER 3X25A 2,8/4A 3RV1011-1EA10 INTERRUPT. AUT 3X25A 2,8/4A 3RV1011-1EA10 INT AUT 3X25A 2,8/4A 3RV1011-1EA10	
7	77044	VENTILATORE QUADRO COMANDI FAN  VENTILATEUR	
8	927057	TERMOSTATO 3 CONTATTI 90/110°C TYPE LS1 THERMOSTAT, 3-CONTACT 90/110°C TYPE LS1 THERMOSTAT, 3-KONTAKTE 90/110°C TYP LS1 THERMOSTAT 3 CONTACTS 90/110°C TYPE LS1 TERMOSTATO 3 CONTACTOS 90/110°C TIPO LS1	
9	H.228048	* CHIUSURA PORTA-FUSIBILE * CLAMPING FOR FUSE-HOLDER * SICHERUNGSTRAGER-VERSCHLUSS * COUVERTURE PORTE-FUSIBLE * CIERRE PORTAFUSIBLE	
10	228004	FUSIBILE 5X20 4A FAST FUSE, 5X20 4A FAST SICHERUNG, 5X20 4A FAST FUSIBLE 5X20 4A FAST FUSIBLE 5X20 4A FAST	
11	H.228047	* PORTA-FUSIBILE * FUSE-HOLDER * SICHERUNGSTRAGER * PORTE-FUSIBLE * PORTAFUSIBLE	
12	215032	SCHEDA ELETTRONICA GET50 MAIN BOARD KARTE CARTE ELECTRONIQUE TARJETA CHORROS50 MICRO 644	
13	228004	FUSIBILE 5X20 4A FAST FUSE, 5X20 4A FAST SICHERUNG, 5X20 4A FAST FUSIBLE 5X20 4A FAST FUSIBLE 5X20 4A FAST	
14	228011	FUSIBILE 5X20 T2A FUSE SICHERUNG FUSIBLE FUSIBLE 5X20 T2A	
15	228012	FUSIBILE 5X20 T160MA FUSE SICHERUNG FUSIBLE FUSIBLE 5X20 T160MA	

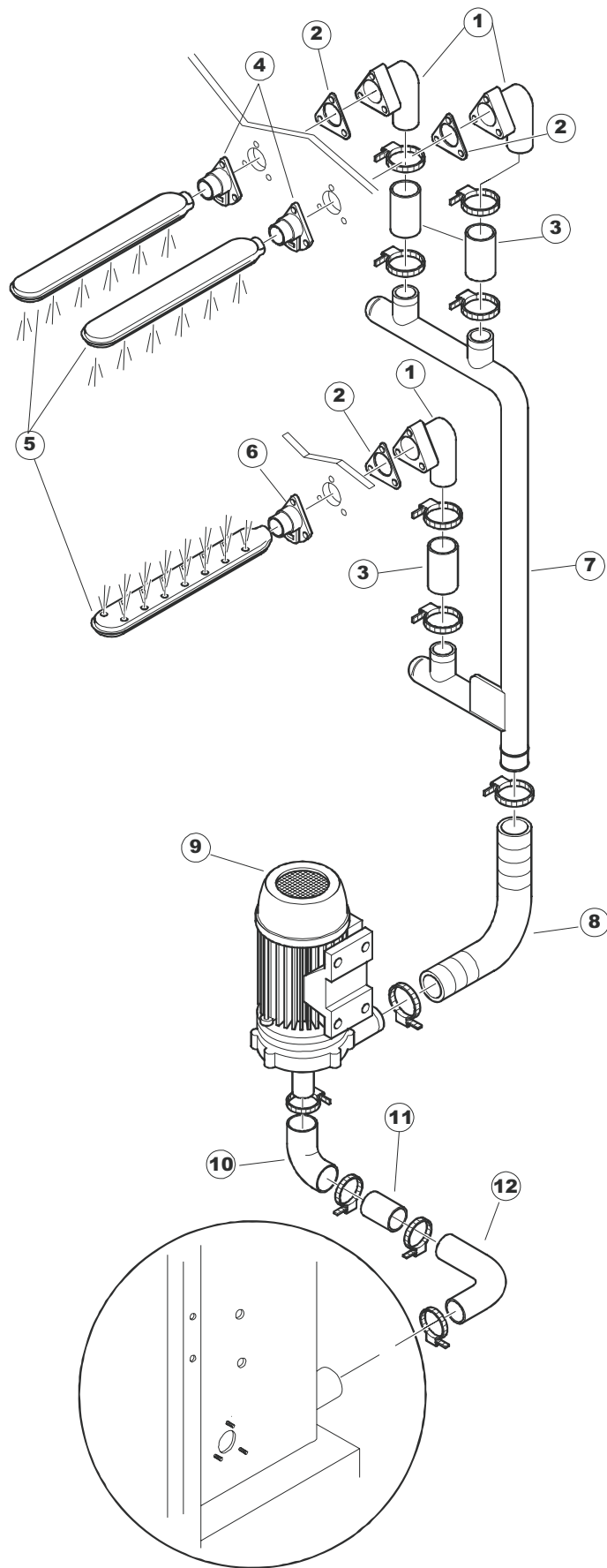
17	929115	RELE 16A 230V 62.82 RELAY 16A 230V 62.82 RELAIS 16A 230V 62.82 RELAIS 16A 230V 62.82 RELE 16A 230V 62. 82	
18	75983	MORSETTIERA 4POLI 600V TERMINAL BOARD 4P 600V KLEMMLEISTE 4P 600V BORNIER 4P 600V BORNERO 4POLOS(125A) 600V POTENCIA	
19	231016	SONDA TEMPERATURA TEMP. PROBE KUGEL SONDE SONDA TEMPERATURA (AMPOLLA ACERO)	
20	75952	POLIESTERE LTD  POLIESTER SERIE LTD MBM ACCION.	
21	80889	TASTIERA COMANDI CONTROL KEYBOARD BEDINGUNGEN-TESTENBRETT TABLEAU A POUSSOIRS COMMANDES TECLADO DE MANDOS	
22	417119	DADO M3 PLASTICA BIANCO NUT, M3 PLASTIC WHITE SCHRAUBENMUTTER, M3 KUNST. WEISS ECROU M3 PLASTIQUE BLANC TUERCA M3 PLASTICO BLANCO	
23	419036	SPACER SPACER, M3 ABSTANDSSTÜCK, M3 ENTRETOISE M3 DISTANCIADOR M3	
24	80934	CAVO FLAT COMANDI INFERIORI CAPOT CABLE FLAT CAPOT KABEL FLAT CABLE LIAISON CABLE FLAT MANDOS INFERIORES CAPOT	



# Pagina 4

1	144010	DISPOSIT.A/R.(EB) CON RACCORDO SFIATO CHECK VALVE (EB) W/DRAIN UNION RÜCKSCHLAGVORR.(EB) MIT ENTLÜFTUNG DISPOSIT.A/R.(EB) AVEC RACCORD DE VIDANGE DISPOSIT. A/R. (EB) CON EMPALME ALIVIAD.	
2	75131	SQUADRA SUPERIORE FISSAGGIO BRACCIO RISCIAQUO PG. BRACKET BEF.WINKEL EQUERRE ESC SUP. FIJACION BRAZO ENJUAGUE PG.ACAB.	
3	75115	BRACCIO SUPERIORE RISCIAQUO COMPLETO UPPER ARM, COMPL.RINSE OB. NACHSPÜLARM, KOMPL. BRAS SUPERIEUR RINCAGE COMPLET BRAZO SUPERIOR ENJUAGUE COMPLETO	
4	75133	SPRUZZATORE RISCIAQUO INOX SPRAYER, RINSE, INOX SPRITZDÜSE, NACHSPÜLEN, INOX GICLEUR RINCAGE INOX ROCIADOR ENJUAGUE INOX	
5	75401	RACCORDO BRACCIO RISCIAQUO TRAINO UNION, RINSE ARM TRAINO VERBINDUNGSST., NACHSPÜLARM KORBTR. RACCORD BRAS RINCAGE AVANCEMENT EMPALME BRAZO ENJUAGUE ACCION.	
6	77904	PORTAGOMMA CURVO 3/8F PIPE HOLDER TUERE PORTE-TUYAU PORTAGOMA CURVO 3/8F(ART.GTL6446010C38)	
7	143010	TUBO PRESS.TP 12X19.5 PIPE, PRESSURE SWITCH TP 12X19.5 ROHR, DRUCKSCHALTER TP 12X19.5 TUYAU PRESS.TP 12X19.5 TUBO PRES. TP 12X19. 5	
8	H.882974-001	RACCORDO A "T" IN PLASTICA  EMPALME EN"T"(TS13) DE PLASTICO	
9	75125	BRACCIO INFERIORE RISCIAQUO COMPLETO LOWER ARM, RINSE COMPLETE UNT. ARM, NACHSPÜLEN KOMPL. BRAS INF. RINCAGE COMPLET BRAZO INFERIOR ENJUAGUE COMPLETO	
10	75129	SQ INF. FISSAGGIO BRACCIO RISCIAQC.PG.F BRACK., LOWER FOR RINSE ARM FIX.PG.F BEFESTIGUNGSWINKEL, UNT. FÜR NACHSPÜLARM PG.F EQ. INF. FIXATION BRAS RINC.PG.F ESC. INF. FIJACION BRAZO ENJUAGUE PG ACAB	
11	927013	RACCORDO OT.3/8X12 SALDATO CROMATO UNION, BRASS 3/8X12 WELDED CHROM.-PLATED VERBINDUNGSST., MESSING 3/8X12 GESCHW. VERCHR. RACCORD LAITON 3/8X12 SOUDE CHROME EMPALME LAT. 3/8X12 SOLDADO CROMADO	
12	929163	RACCORDO IN OTTONE 3/8M CURVO METANO UNION, BRASS 3/8M BEND METHANE VERBINDUNGSST., MESSING 3/8M GEBOG. ERDGAS RACCORD EN LAITON 3/8M COURB METHANE EMPALME LATON 3/8M CURVO METANO	
13	929172	ELETTROVALV.3/4 DOPPIA 220V(341930)P16LT SOLENOID VALVE 3/4 DOUBLE 220V(341930)P16LT ELEKTROVENTIL 3/4 DOPPELT 220V(341930)P16LT ELETTROVALV.3/4 DOUBLE 220V(341930)P16LT ELECTROVALV. 3/4 DOBLE 220V(341930)P16LT	
14	108006C	PORTAGOMMA RUBBER PIPE HOLDER SCHLUACHHALTER PORTE-TUYAU CAOUTCHOUC PORTAGOMA 90° SALIDA CALENTADOR CROMADO	
15	75625	BOILER TRAINO COMPATTA(17LT.) BOILER  CALENTADOR ACCION. COMPATTA(17LT.)	

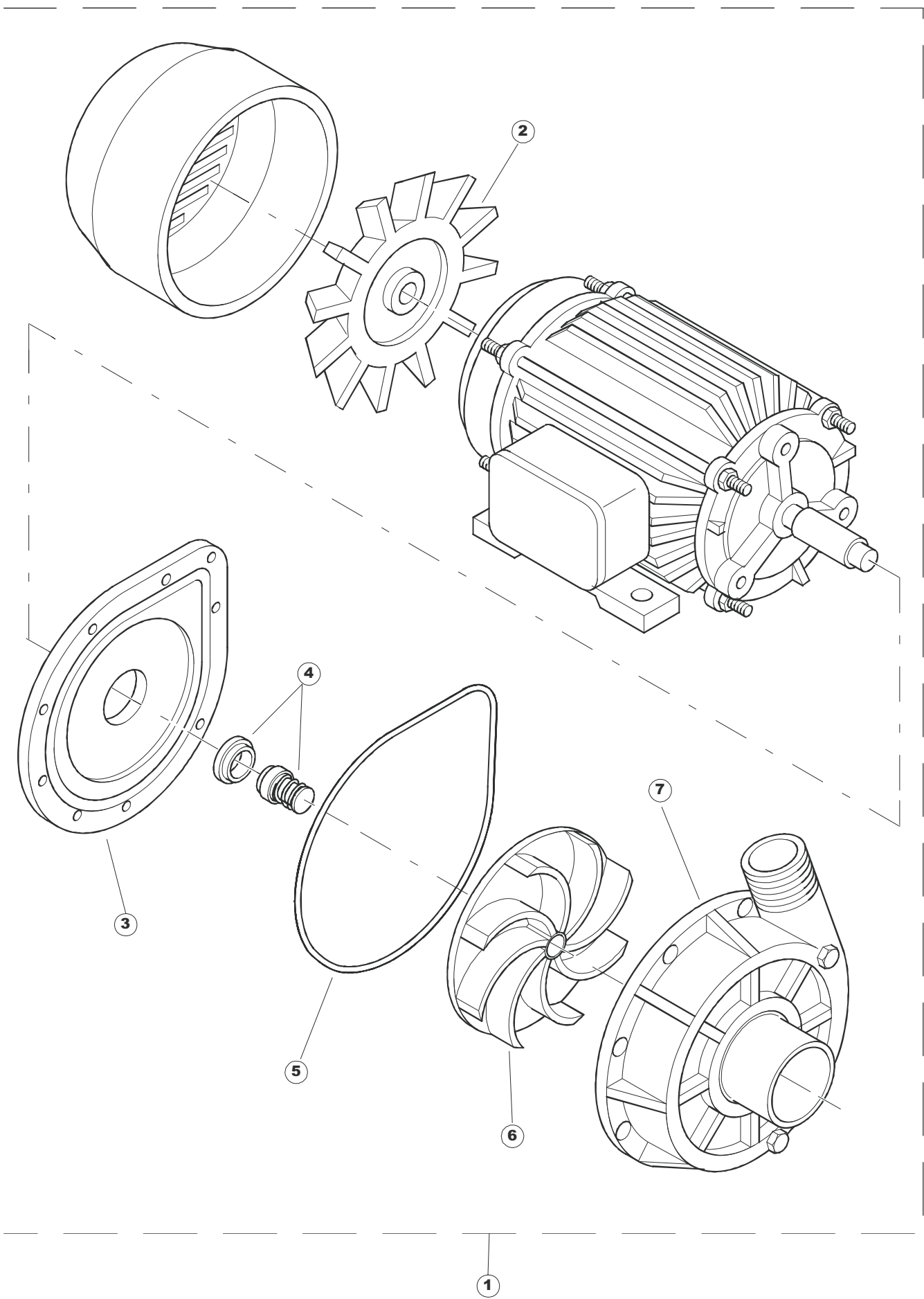
16	929163	RACCORDO IN OTTONE 3/8M CURVO METANO UNION, BRASS 3/8M BEND METHANE VERBINDUNGSST., MESSING 3/8M GEBOG. ERDGAS RACCORD EN LAITON 3/8M COURB METHANE EMPALME LATON 3/8M CURVO METANO	
17	75998	MANOMETRO PER RIDUTTORE(0-2,5 BAR) MANOMETER FOR RED.GEAR(0-2,5 BAR) MANOMETER FÜR REDUZIERST.(0-2,5 BAR) MANOMETRE POUR REDUCTEUR (0-2,5 BAR) MANOMETRO PARA REDUCTOR(0-2,5 BAR)	
18	927150	RIDUTTORE PRESSIONE 1/2" RED.GEAR, PRESSURE 1/2" DRUCKMINDERER 1/2" REDUCTEUR PRESSION 1/2" REDUCTOR PRESSION 1/2"	
19	927015	RACCORDO IN OTTONE 3/8 PORTAGOMMA D12 UNION, BRASS 3/8 RUBBER-HOLDER D12 VERBINDUNGSST., MESSING 3/8 SCHLAUCHTÜLLE D12 RACCORD EN LAITON 3/8 PORTE-CAOUTCHOUC D12 EMPALME LATON 3/8 EMPALME D12	
20	75283	STAFFA SOSTEGNO RIDUTTORE PRESSIONE PG.F BRACKET, SUPP. FOR PRESSURE REDUCER PG.F BÜGEL, HALTER FÜR DRUCKMINDERER PG.F ETRIER SUPPORT REDUCTEUR PRESSION PG.F SOPORTE SOSTEN REDUCTOR PRESSION PG. F	
21	75245	COIBENTAZ BOILER GOLD80 BOILER INSULATION GOLD 80 BOILERISOLIERUNG GOLD 80 ISOLATION CHAUDIERE GOLD80 AISLAMIENTO CALENTADOR GOLD80	
22	69870	PROTEZIONE RESISTENZA BOILER BOILER HEATING ELEMENT PROTECTION HEIZUNGSSCHUETZ DES WARMWASSERBEREITERS PROTECTION RESISTANCE BOILER PROTECCION RESISTENCIA CALENTADOR	
23	80398C	RESISTENZA B. 9500W 230V RIVER 82/83 RESISTANCE, B. 9500W 230V RIVER 82/83 WIDERSTAND, B. 9500W 230V RIVER 82/83 RESISTANCE CH. 9500W 230V RIVER 82/83 RESISTENCIA B. 9500W 230V RIVER 82/83	
24	230083C	KIT RESISTENZA REB230083 (6KW) KIT, RESISTANCE REB230083 (6KW) KIT, WIDERSTAND REB230083 (6KW) KIT RESISTANCE REB230083 (6KW) KIT RESISTENCIA REB230083 (6KW)	
25	926053	TAPPO/FLANGIA CIECA 170880543 CAP/FLANGE BLIND 170880543 PFROPFEN/FLANSCH BLIND 170880543 BOUCHON/BRIDE BORGNE 170880543 TAPON/BRIDA CIEGA 170880543	
29	230020C	KIT RESISTENZA REB230020 (8KW) KIT, RESISTANCE REB230020 (8KW) KIT, WIDERSTAND REB230020 (8KW) KIT RESISTANCE REB230020 (8KW) KIT RESISTENCIA REB230020 (8KW)	
30	75977	KIT KIT KIT KIT KIT REDUCTOR PRESSION ACCION.	



# Pagina 5

1	75155	RACCORDO LAVAGGIO ESTERNO TRAINO UNION, WASH.OUTS. RACK CONVEYOR VERBINDUNGSST., AUSS. SPÜL. KORBTR. RACCORD LAVAGE EXTERIEUR AVANCEMENT EMPALME LAVADO EXTERNO ACCION.	
2	437050	GUARN.GOMITO PORTAGOMMA MOD 22 GASKET, ELBOW RUBBER-HOLDER MOD 22 DICHTUNG, KNIESTÜCK SCHLAUCHTÜLLE MOD 22 JOINT COUDE PORTE-CAOUTCHOUC MOD 22 JUNTA CODO EMPALME MOD 22	
3	75154	MANICOTTO MANDTA LAVAGGIO TRAINO SLEEVE, WASH. DELIVERY FOR RACK CONVEYOR MUFFE, SPÜL.VERSORGUNG FÜR KORBTRANSPORTM. MANCHON REFOUL. LAVAGE AVANCEMENT MANGUITO IMPULSION LAVADO ACCION.	
4	75169	ATTACCO LANCIA SUPERIORE COMPLETO UNION, UPPER WASH-ARM ASSB. VERBIND., OB. LANZE KOMPL. FIXATION RAMPE SUP. COMPLETE CONEXION LANZA SUPERIOR COMPLETA	
5	75616	BRACCIO LAVAGGIO WASH ARM SPUELARM  BRAZO LAVADO (TUERCA 10,5X4MM)	
6	75171	ATTACCO LANCIA INFERIORE COMPLETO UNION, LOWER WASH-ARM ASSB. VERBIND., UNT. LANZE KOMPL. FIXATION RAMPE INF. COMPLETE CONEXION LANZA INFERIOR COMPLETA	
7	75165	TUBO MANDATA LAVAGGIO TRAINO PIPE, DELIVERY PIPE FOR HOOD-TYPE WASHING ZUFLUSSROHR FÜR SPÜLEN / KORBTRANSP. TUYAU REFOULEMENT LAVAGE AVANCEMENT TUBO IMPULSION LAVADO ACCION.	
8	80187	MANICOTTO MANDATA POMPA RIVER 82/83 SLEEVE, PUMP DELIVERY RIVER 82/83 MUFFE, ZUFUHR PUMPE RIVER 82/83 MANCHON REFOUL. POMPE RIVER 82/83 MANGUITO IMPULSION BOMBA RIVER 82/83	
9	75175	EL.P 1,1 KW 230/400-240/415 50 422512725 MOTORPUMP 1,1 KW 230/400-240/415 50 422512725 ELEKTROPUMPE 1,1 KW 230/400-240/415 50 422512725 EL.P 1,1 KW 230/400-240/415 50 422512725 ELECTROBOMBA 1,1 KW 230/400-240/415 50	
10	926056	GOMITO GOMMA ASPIRAZIONE POMPA 120/140 ELBOW, RUBBER, EXHAUST. PUMP 120/140 KNIESTÜCK, GUMMI, ABSAUG.PUMPE 120/140 COUDE CAOUTCHOUC ASPIRATION POMPE 120/140 CODO GOMA ASPIRACION BOMBA 120/140	
11	42028	TRONCHETTO ASPIRAZIONE  TRONCO ASPIRACION (EMBUTIDO)	
12	929164	GOMITO IN GOMMA P2703 SAIAG ELBOW, RUBBER P2703 SAIAG KNIESTÜCK, GUMMI P2703 SAIAG COUDE EN CAOUTCHOUC P2703 SAIAG CODO DE GOMA P2703 SAIAG	





# Pagina 6

1	75175	EL.P 1,1 KW 230/400-240/415 50 422512725 MOTORPUMP 1,1 KW 230/400-240/415 50 422512725 ELEKTROPUMPE 1,1 KW 230/400-240/415 50 422512725 EL.P 1,1 KW 230/400-240/415 50 422512725 ELECTROBOMBA 1,1 KW 230/400-240/415 50	
2	335003	VENTOLA 1295/2277 FAN 1295/2277 GEBL. 1295/2277 VENT. 1295/2277 ROTOR 1295/2277	
3	80880	FLANGIA PER ELETTROPOMPA 4225/2 ELECTROPUMP FLANGE 4225/2 FLANSCH FUER MOTOPOMPE 4225/2 BRIDE POUR MOTOPOMPE 4225/2 BRIDA EL.BOMBA 4225/2 (PM4225320)	
4	141002	TENUTA MECCANICA ROTANTE D 12 SEAL, MECH., REVOLVING D 12 DICHTUNG, MECH., ROTIER. D 12 JOINT MECANIQUE PIVOTANT 12 SELLO MECANICO GIRAT. D 12	
5	456023	OR FIR 1225-41-95 O-ring FIR 1225-41-95 O-Ring FIR 1225-41-95 OR FIR 1225-41-95 OR FIR 1225-41-95	
6	80881	GIRANTE EL. POMPA (TIPO 422512725) ELECTR.PUMP IMPELLER (TYPE 422512725) LAUFRAD ELEKTROPUMPE (TYP 422512725) ROUE ELECTROPOMPE (TYPE 422512725) ROTOR ELECTROBOMBA (TIPO 422512725)	
7	80882	CHIOCC EL.POMPA 4225/2 1295303/B C/TAPPO	