

MBM

**SPARE PARTS CATALOGUE
ERSATZTEILKATALOG
CATALOGUE PIECES DETACHEES
CATALOGO PARTI RICAMBIO
CATALOGO DE PIEZAS DE RECAMBIO
CATALOGO PEÇAS DE REPOSICAO**

LK611G

08-02-2012

LK611G

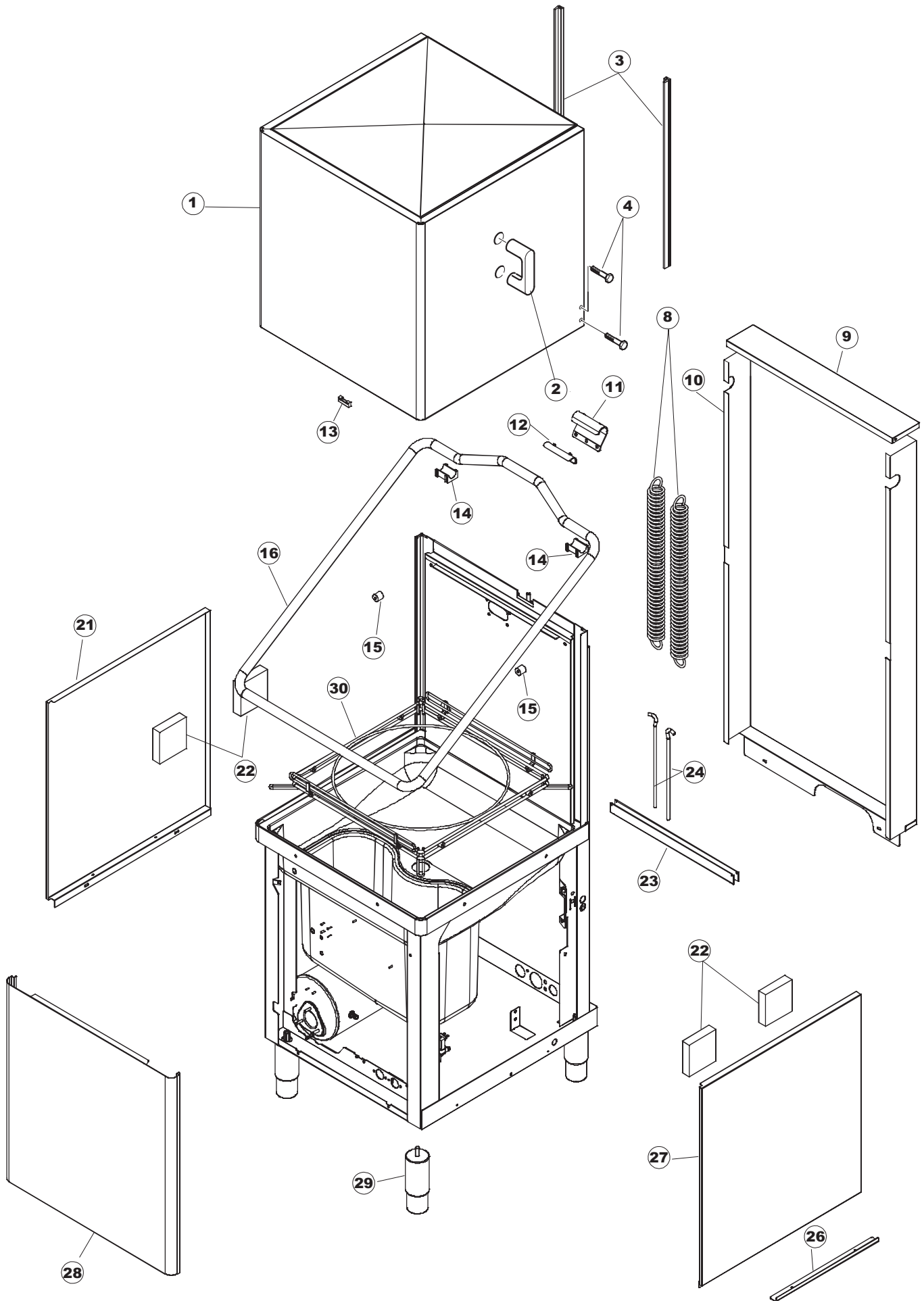
- Tab. 1 – Carrozzeria
- Tab. 2 – Impianto elettrico
- Tab. 3 – Componenti in vasca
- Tab. 4 – lance lavaggio – Risciacquo
- Tab. 5 – Pompa lavaggio

- Tab. 1 – Machine Body
- Tab. 2 – Electrical components
- Tab. 3 – Components in the tank
- Tab. 4 – Wash arms – Rinsing
- Tab. 5 – Wash pump

- Tab. 1 – Carroceria
- Tab. 2 – Instalaciòn elèctrica
- Tab. 3 – Componentes en cuba
- Tab. 4 – Lances lavages – Enjuague
- Tab. 5 – Bomba lavado

- Tab. 1 – Carrosserie
- Tab. 2 – Installation électrique
- Tab. 3 – Composants de cuve
- Tab. 4 – Rampes de lavage Rinçage
- Tab. 5 – Pompe lavage

- Tab. 1 – Verkleidung
- Tab. 2 – Elektrische Anlage
- Tab. 3 – Bauteile im Waschtank
- Tab. 4 – Spuelarme – Klarspülung
- Tab. 5 – Spülpumpe

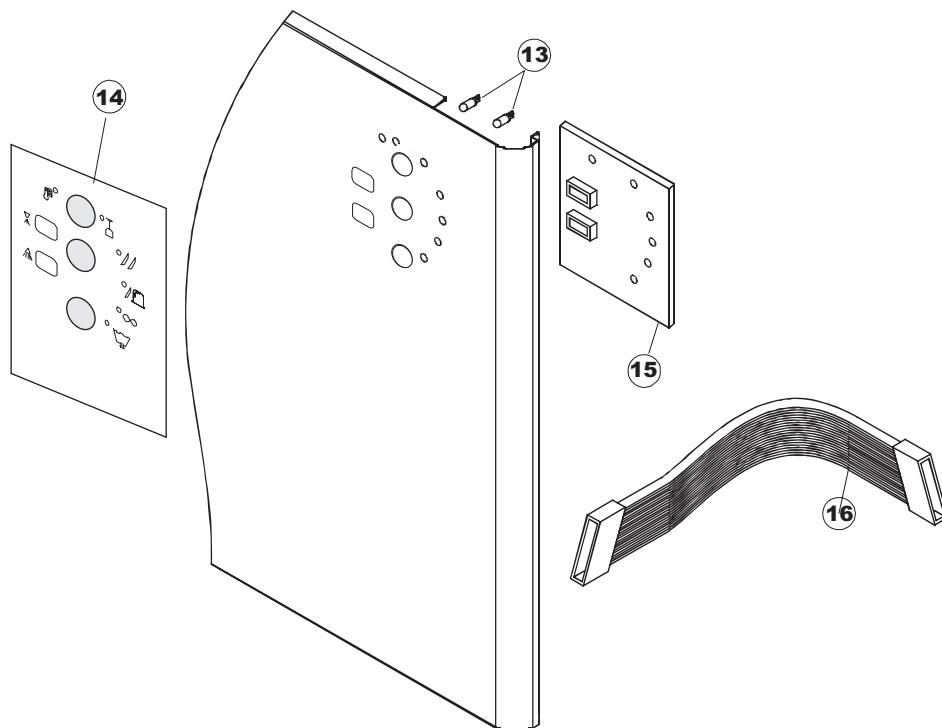
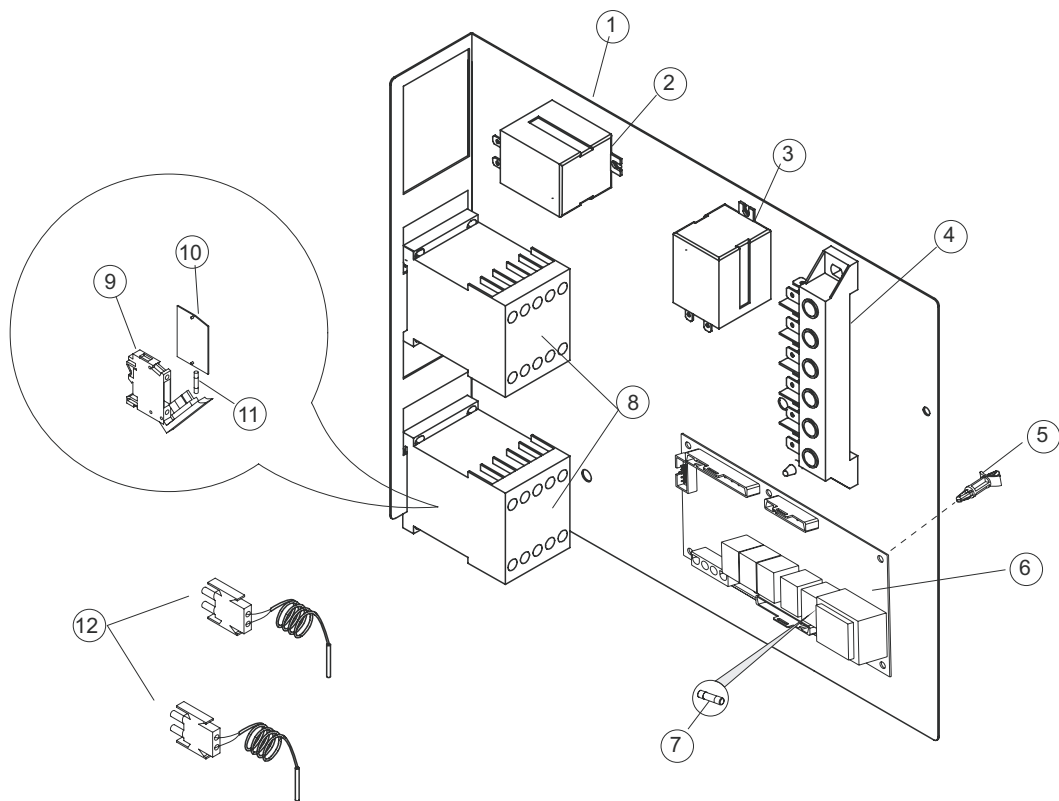


☐ Coibentazione; Insulation)

Pagina 1

1	80141	GRUPPO CAPPА SQUADRATA COMPLETA GRUPPO CAPPА SQUADRATA GRUPO CAMPANA CUADRADA COMPLETA	
2	926243	PONTICELLO GRIGIO MANIGLIA TIPO CLG. CONVEX TYPE HANDLE, GREY TYPE CLG. STEG, GRIFF GRAU TYP CLG. ARCADE GRIS POIGNEE TYPE CLG. PUENTE GRIS MANIJA TIPO CLG.	
3	80069	GUIDA CAPPА HOOD DRIVE ÜAHN GUIDE HOTTE GUIA CAPOT	
4	80998	VITE PLASTICA M4X6 (DIN933) GOLD SCREW, PLASTIC M4X6 (DIN933) GOLD SCHRAUBE, KUNST. M4X6 (DIN933) GOLD VIS PLASTIQUE M4X6 (DIN933) GOLD TORNILLO PLASTICO M4X6 (DIN933) GOLD	
8	926108	MOLLA TRAZ.CAPOTTA f5.5 121/.. SPRING, HOOD TRAZ. f5.5 121/.. SPANNFEDER HAUBE f5.5 121/.. RESSORT TRAZ.CAPOTTA f5.5 121/.. MUELLE TRACC. CAPOTA f5. 5 121/..	
9	80638	TUBO PASSACAVI PANNELLO POSTERIORE BACK PANEL OBEREN RÜCKSEITE PANNEAU ARRIERE SUPÉRIEUR PANEL TRASERO SUPERIOR	
10	80162	PANNELLO RETRO PANEL, REAR PLATTE, HINTEN PANNELLO ARRIERE PANEL TRASERO	
11	80275	SQUADRA BRACKET WINKEL EQUERRE ESCUADRA	
12	80277	SQUADRA BRACKET WINKEL EQUERRE ESCUADRA	
13	927088	MAGNETE PER MICROINTERRUTTORE MAGNET FOR MICROSWITCH MAGNET FÜR MIKROSCHALTER AIMANT POUR MINIRUPTEUR IMAN PARA MICROINTERRUPTOR	
14	80190	SQUADRA SUPP.MANIGLIONE BRACKET, FOR HANBLE SUPP. WINKEL, HALTER FÜR GRIFF EQUERRE SUPP.POIGNEE ESCUADRA SOP. MANIJA	
15	80105	PARACOLPI CAPOT SHOCK-ABSORBER FOR CAPOT PUFFER FÜR DURCHSCHUBSPÜLAUTOM. PARE-CHOCS CAPOT GUARDAGOLPES CAPOT	
16	80027	MANIGLIONE RIVER HANDLE, RIVER GRIFF, RIVER POIGNEE RIVER MANIJA RIVER	
21	80071	PANNELLO LATERALE SX PG FINIT PANEL, SIDE LH PG PLATTE, SEITL. LINKS PG MASCHINENF. PANNEAU LATERAL GAUCHE PG FINI PANEL LATERAL IZDA PG ACAB.	
22	41042	SPESSORE ADESIVO PANNELLI LATERALI LP STICKY DOOR SIDE THICKNESS KLEBENPER SCHLEGER TEMPON ADHÉSIF ESPESSORE ADHESIVO PANELES LATERALES LP	

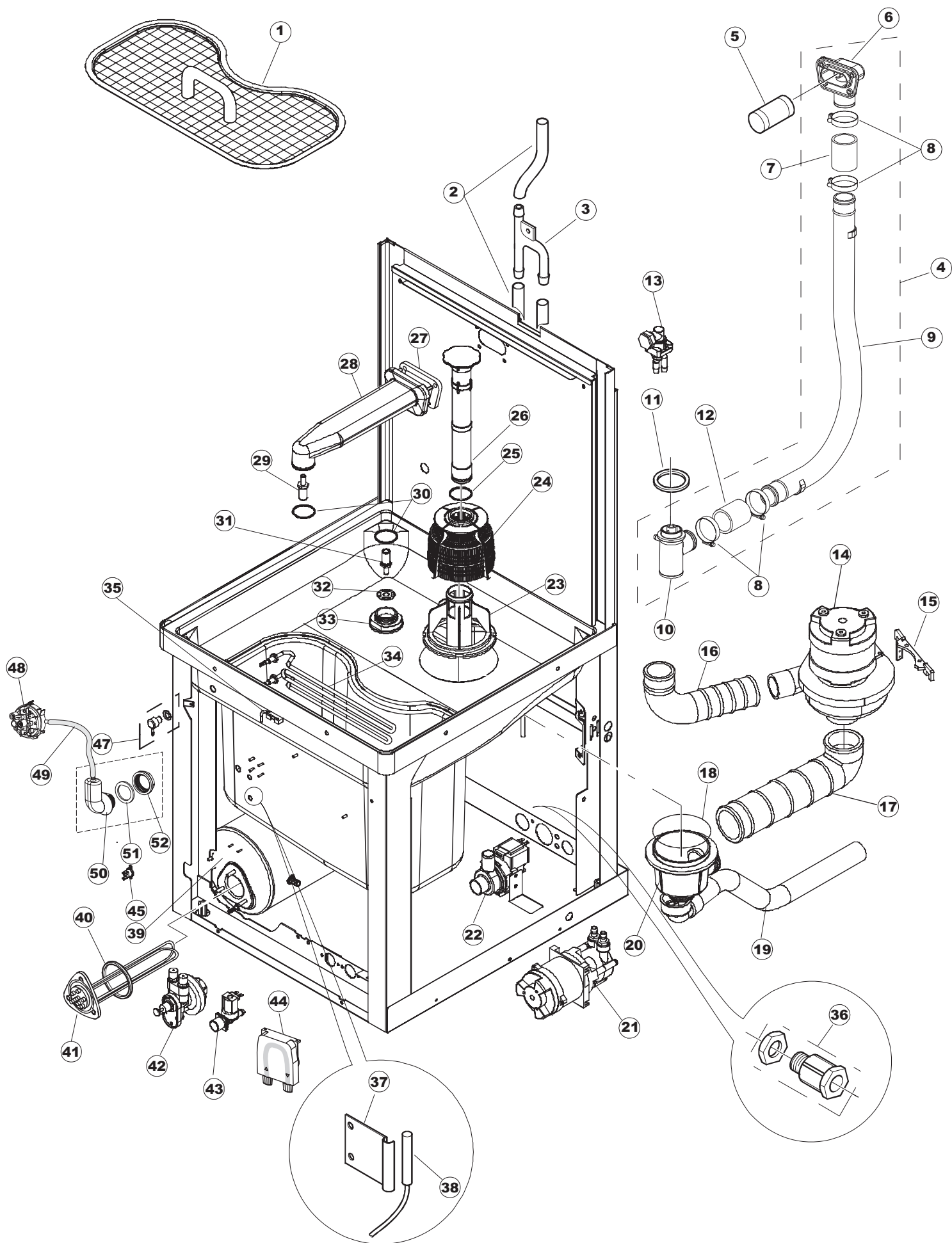
23	80023	SQUADRA BRACKET WINKEL EQUERRE ESCUADRA	
24	926009	GANCIO REGOLAZIONE MOLLA 100/120/140 HOOK, ADJUST.SPRING 100/120/140 HAKEN, FEDERREGUL. 100/120/140 CROCHET REGLAGE RESSORT 100/120/140 GANCHO REGULACION MUELLE 100/120/140	
26	80078	SQ. FISSAGGIO SOTTOPIANI GOLD PG FINITO BRACK., UNDER-SHELVES FIX. GOLD PG FINISHED BEF.WINKEL, UNTERABLAGEFL.GOLD PG MASCHINENFERTIG EQ. FIXATION SOUS-ETAGERES GOLD PG FINI ESC. FIJACION APOYOS SUPERFICIES GOLD PG	
27	80072	PANNELLO LATERALE DX PG FINITO PANEL, SIDE RH PG PLATTE, SEITL. RECHTS PG MASCH. PANNEAU LATERAL DROITE PG FINI PANEL LATERAL DCHA PG ACABADO	
28	80090	PANNELLO FRONTALE SEDE QUADR. NEUT.COMPL PANEL FRONTAL SEDE CUADR. NEUT. COMPL.	
29	926117	PIEDE REGOLABILE X CAPOTT.3LINEA FOOT, ADJUST. X CAPOTT.3LINE VERSTELLFUSS X HAUB.3LEIT. PIED REGLABLE POUR CAPOT.3LIGNE PATA REGULABLE X CAPOTA 3LINEA	
30	80240	TELAIO PORTACESTO CAPOT D1000 FRAME, RACK-HOLDER CAPOT D1000 RAHMEN, KORBHALTER DURCHSCHUBSPÜLAUTOM. D1000 CHASSIS PORTE-CASIER CAPOT D1000 BASTIDOR PORTACESTA CAPOT D1000	



Pagina 2

1	80459	PANNELLO PROTACOMPONENTI CAPOT PIEGATA FINITA PANEL PANEEL PANNEAU PANEL PORTACOMPONENTES CAPOT PG ACABADO	
2	DER111	RELE 30A 230AC 653182300300 RELAY 30A 230AC 653182300300 RELAIS 30A 230AC 653182300300 RELAIS 30A 230AC 653182300300 VER CODIGO 229029	
3	929115	RELE 16A 230V 62.82 RELAY 16A 230V 62.82 RELAIS 16A 230V 62.82 RELAIS 16A 230V 62.82 RELE 16A 230V 62. 82	
4	220011	* MORSETTIERA 5.POLI + TERRA FV.122 * TERMINAL BOARD, 5-POLES + EARTH FV.122 * KLEMMENBRETT, 5-POLIG + ERDUNG FV.122 * PLAQUE A BORNE 5POLES + TERRE FV.122 * BORNERO 5. POLOS + TIERRA FV. 122	
5	CWP2	PIEDINI SUPPORTO SCHEDA ELET.(ART.DRA6A) FEET, ELECTR.CARD SUPPORT(ART.DRA6A) STÜTZFÜSSE FÜR PLATINE (ART.DRA6A) PIEDS SUPPORT FICHE ELECTR.(ART.DRA6A) PATAS SOPORTE TARJETA ELECT. (ART.DRA6A)	
6	999298	SCHEDA ELETTRONICA MAIN BOARD KARTE CARTE ELECTRONIQUE TARJETA GET50(GET50BAJO_1_37)	
7	228010	FUSIBILE 5X20 4A FAST FUSE SICHERUNG FUSIBLE FUSIBLE 5X20 T4A RETARDADO 250V	
8	80350	CONTAT 230-50/60HZ 3RT1016-1AP01 CONTACT, 230-50/60HZ 3RT1016-1AP01 KONTAKT, 230-50/60HZ 3RT1016-1AP01 CONTACT 230-50/60HZ 3RT1016-1AP01 VER CODIGO 229037	
9	H.228047	* PORTA-FUSIBILE * FUSE-HOLDER *SICHERUNGSTRAGER * PORTE-FUSIBLE * PORTAFUSIBILE	
10	H.228048	* CHIUSURA PORTA-FUSIBILE * CLAMPING FOR FUSE-HOLDER * SICHERUNGSTRAGER-VERSCHLUSS * COUVERTURE PORTE-FUSIBLE * CIERRE PORTAFUSIBILE	
11	228004	FUSIBILE 5X20 4A FAST FUSE, 5X20 4A FAST SICHERUNG, 5X20 4A FAST FUSIBLE 5X20 4A FAST FUSIBLE 5X20 4A FAST	
12	231016	SONDA TEMPERATURA TEMP. PROBE KUGEL SONDE SONDA TEMPERATURA (AMPOLLA ACERO)	
13	461021	PIEDINO PL.SCHEDA PULS.X5 FOOT, PLAST. PB CARD X5 STÜTZFUSS, KUNST. DRUCKT. KARTE X5 PIED PLAST.FICHE TABL.BOUT-POUSS.X5 VER CODIGOS 419036+417119	
14	69929	POLIESTERE POLIESTER MBM LK611 (SV71)	
15	80889	TASTIERA COMANDI CONTROL KEYBOARD BEDINGUNGEN-TESTENBRETT TABLEAU A POUSSOIRS COMMANDES TECLADO DE MANDOS	

16	80934	CAVO FLAT COMANDI INFERIORI CAPOT CABLE FLAT CAPOT FLACHKABEL CABLE LIAISON CABLE FLAT MANDOS INFERIORES CAPOT	
----	-------	--	--



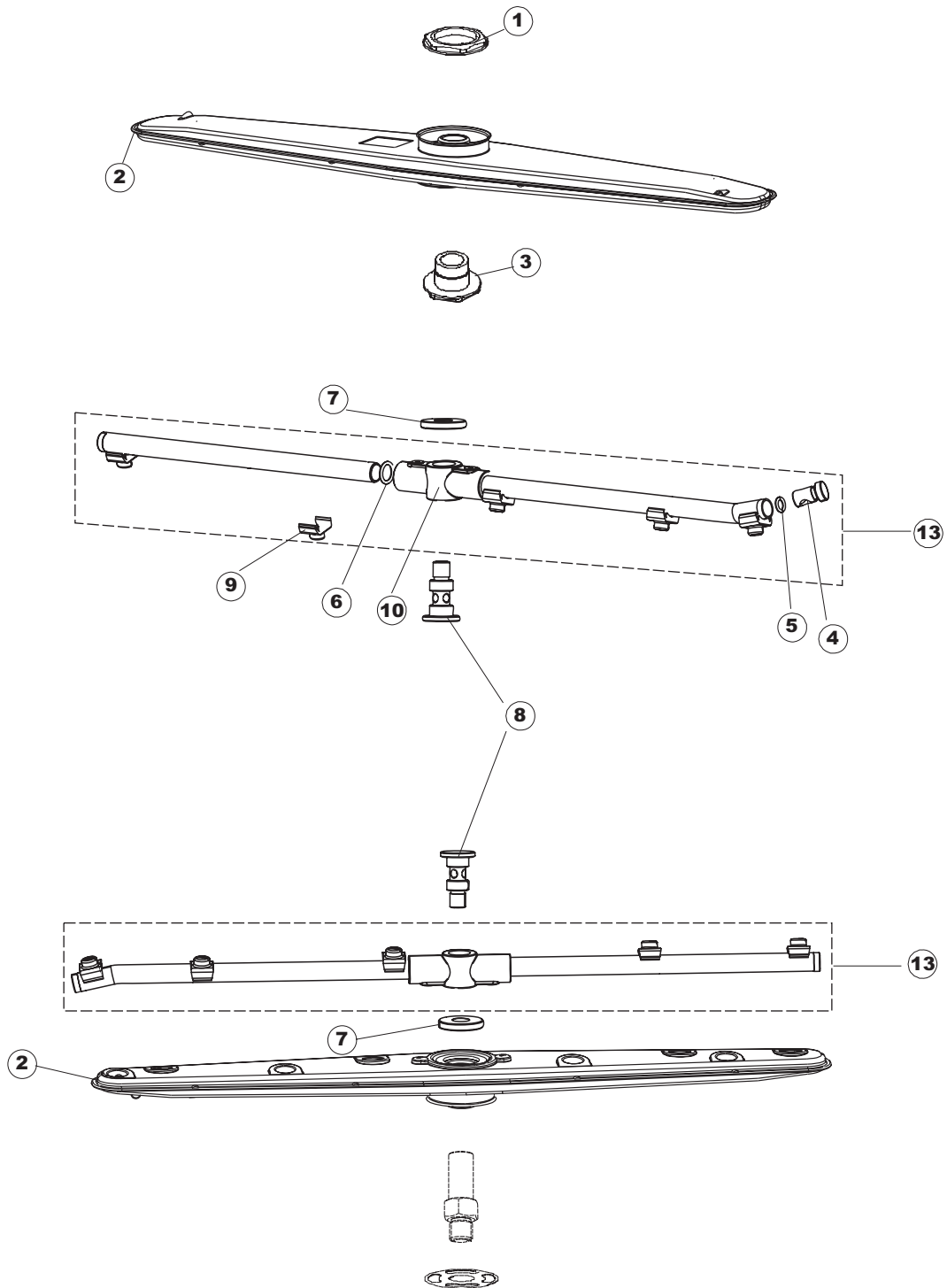
Pagina 3

1	80259	FILTRO IN PLASTICA COMPLETO E78 FILTER, PLASTIC COMPLETE E78 FILTER, KUNST. KOMPL. E78 FILTRE EN PLASTIQUE COMPLET E78 FILTRO DE PLASTICO COMPLETO E78	
2	143010	TUBO PRESS.TP 12X19.5 PIPE, PRESSURE SWITCH TP 12X19.5 ROHR, DRUCKSCHALTER TP 12X19.5 TUYAU PRESS.TP 12X19.5 TUBO PRES. TP 12X19. 5	
3	143173	GIUNZIONE RISC.PLAST.35/40/50 JOINT, RINSE PLAST.35/40/50 VERBIND., NACHSPÜLEN KUNST.35/40/50 JOINT RINC.PLAST.35/40/50 UNION ENJUAGUE PLAST. 35/40/50	
4	80237	CONDOTTA LAVAGGIO PLASTICA RIVER PIPE, WASHING PLASTIC RIVER LEITUNG, SPÜLEN KUNST. RIVER CONDUITE LAVAGE PLASTIQUE RIVER CONDUCTO LAVADO PLASTICO RIVER	
5	441009	INSERTO TENUTA D10 COLL.S621- INSERT, SEAL D10 COLL.S621- EINSATZ, DICHT. D10 SAMM.S621- INSERT ETANCHEITE D10 COLL.S621- ELEMENTO ESTANQ. D10 COLECT. S621-	
6	80174	RACCORDO LAV.SUP.EST.GOLD (COL.NEUTRO) UNION, WASH.UPP.OUTS.GOLD (NEUTRAL COL.) VERBINDUNGSST., OB.SPÜL. AUSS.GOLD (NEUTR. FARBE) RACCORD LAV.SUP.EXT.GOLD (COL.NEUTRE) EMPALME LAV. SUP. EXT. GOLD (COL. NEUTRO)	
7	80189	MANICOTTO (X TUBO LAVAGGIO 80237)ART.660 SLEEVE (FOR WASH.TUBE 80237) ART.660 MUFFE (FÜR SPÜLROHR 80237) ART.660 MANCHON (POUR TUYAU LAVAGE 80237)ART.660 MANGUITO (X TUBO LAVADO 80237)ART. 660	
8	CFS1A	FASCETTA A VITE TORRO W1/W2B 40-60/12 CLAMP, HOSE-TYPE TORRO W1/W2B 40-60/12 SCHELLE, SCHRAUBE TORRO W1/W2B 40-60/12 BANDE DE SERRAGE A VIS TORRO W1/W2B 40-60/12 ABRAZ. CON TORNILLO TORRO W1/W2B 40-60/12	
9	80238	TUBO MANDATA LAVAGGIO CAPOT TUBO MANDATA TUBO IMPULSION LAVADO CAPOT	
10	80179	RACCORDO LAV.INF. EST.GOLD (COL.NEUTRO) UNION, WASH.LOW. OUTS.GOLD (NEUTRAL COL.) VERBINDUNGSST., UNT.SPÜL. AUSS.GOLD (NEUTR. FARBE) RACCORD LAV.INF. EXT.GOLD (COL.NEUTRE) EMPALME LAV. INF. EXT. GOLD (COL. NEUTRO)	
11	80182	GUARNIZIONE MANDATA INF.CAPOT RV. GASKET, LOW.DELIVERY HOOD RV. DICHTUNG, UNTEN VERSORGUNG DURCHSCHUBSP. RV. JOINT REFOULEMENT INF.CAPOT RV. JUNTA IMPULSION INF. CAPOT RV.	
12	80189	MANICOTTO (X TUBO LAVAGGIO 80237)ART.660 SLEEVE (FOR WASH.TUBE 80237) ART.660 MUFFE (FÜR SPÜLROHR 80237) ART.660 MANCHON (POUR TUYAU LAVAGE 80237)ART.660 MANGUITO (X TUBO LAVADO 80237)ART. 660	
13	144010	DISPOSIT.A/R.(EB) CON RACCORDO SFIATO CHECK VALVE (EB) W/DRAIN UNION RÜCKSCHLAGVORR.(EB) MIT ENTLÜFTUNG DISPOSIT.A/R.(EB) AVEC RACCORD DE VIDANGE DISPOSIT. A/R. (EB) CON EMPALME ALIVIAD.	
14	80134	ELETTROPOMPA 1100W 220-240V/50HZ PUMP 1100W PUMPE 1100W POMPE 1100W ELECTROBOMBA 1100W	
15	80545	SQ. SUPPORTO POMPA X 80112 & 80114 BRACK., PUMP SUPPORT X 80112 & 80114 WINKEL, HALTER FÜR PUMPE X 80112 & 80114 EQ. SUPPORT POMPE X 80112 & 80114 ESCUADRA SOPORTE BOMBA X 80112 & 80114	

16	80188	MANICOTTO MANDATA POMPA RIVER 80/81 SLEEVE, PUMP DELIVERY RIVER 80/81 MUFFE, ZUFUHR PUMPE RIVER 80/81 MANCHON REFOUL. POMPE RIVER 80/81 MANGUITO IMPULSION BOMBA RIVER 80/81	
17	80186	MANICOTTO ASPIRAZ.POMPA RIVER SLEEVE, SUCT.PUMP RIVER MUFFE, ABSAUG.PUMPE RIVER MANCHON ASPIRAT.POMPE RIVER MANGUITO ASPIRAC. BOMBA RIVER	
18	456040	OR 201 NBR70 22 O-ring 201 NBR70 22 O-Ring 201 NBR70 22 OR 201 NBR70 22 OR 201 NBR70 22	
19	143136	TUBO SCARICO VERS.NE INTEGR.22 PIPE, DRAIN - INTEGR. VERSION 22 ABLASSROHR - VOLLST. VERSION 22 TUYAU VIDANGE VERS.NE INTEGR.22 TUBO DESCARGA VERSION INTEGR. 22	
20	136020	CORPO ASPIRAZIONE/SCARICO 22/44 INTAKE/DRAIN BODY 22/44 GEHAUSE, EINLASS/ABLASS 22/44 CORPS ASPIRATION/VIDANGE 22/44 CUERPO ASPIRACION/DESCARGA 22/44	
21	DPE127	EL.P 460W 230-50HZ (PPL46) (CHIOC.PLAST) MOTORPUMP 460W 230-50HZ (PPL46) ELEKTROPUMPE 460W 230-50HZ (PPL46) EL.P 460W 230-50HZ (PPL46) ELECTROB. 460W 230-50HZ (PPL46) (ESP. PLAST.)	
22	80117	POMPA SCARICO RIVER DRAIN PUMP RIVER ABLASSPUMPE RIVER POMPE VIDANGE RIVER BOMBA DESCARGA RIVER	
23	429038	GHIERA SCARICO 22/44 RING NUT, DRAIN 22/44 GEWINDERING, ABLAUF 22/44 BAGUE VIDANGE 22/44 VIROLA DESCARGA 22/44	
24	121081	FILTRO POMPA GRIGIO 44/TERZ. FILTER, PUMP GREY 44/TERZ. FILTER, PUMPE GRAU 44/TERZ. FILTRE POMPE GRIS 44/TERZ. FILTRO BOMBA GRIS 44/TERZ.	
25	CGR4131NT	O-RING 4131 VITON NERO SH.70 O-ring 4131 BLACK SCREW SH.70 O-RING 4131 SCHWARZE SCHRAUBE SH.70 O-RING 4131 VIS J11312 SH.70 O-RING 4131 VITON NEGRO SH. 70	
26	80249	TROPPO PIENO RIVER 80/81 OVERFLOW RIVER 80/81 ÜBERLAUF RIVER 80/81 TROP-PLEIN RIVER 80/81 REBOSE RIVER 80/81	
27	80178	GUARNIZIONE GASKET DICHTUNG JOINT JUNTA	
28	80177	CONDOTTO LAVAGGIO SUP.RIVER PIPELINE - WASHING, UPPER RIVER LEITUNG - SPÜLEN, OB. RIVER CONDUITE LAVAGE SUP.RIVER CONDUCTO LAVADO SUP. RIVER	
29	80282	ALBERO PERNO RISC.RIVER SHAFT, WASH RINSE RIVER WELLE, ZAPFEN NACHSPÜLEN RIVER ARBRE PIVOT RINC.RIVER EJE PERNO ENJUAGUE RIVER	
30	303032	ANELLO INOX DI TENUTA LAVAGGIO X5 RING, INOX WASH. SEAL X5 DICHTUNGSRING, INOX SPÜL. X5 BAGUE INOX D'ETANCHEITE LAVAGE X5 ANILLO INOX DE ESTANQ. LAVADO X5	

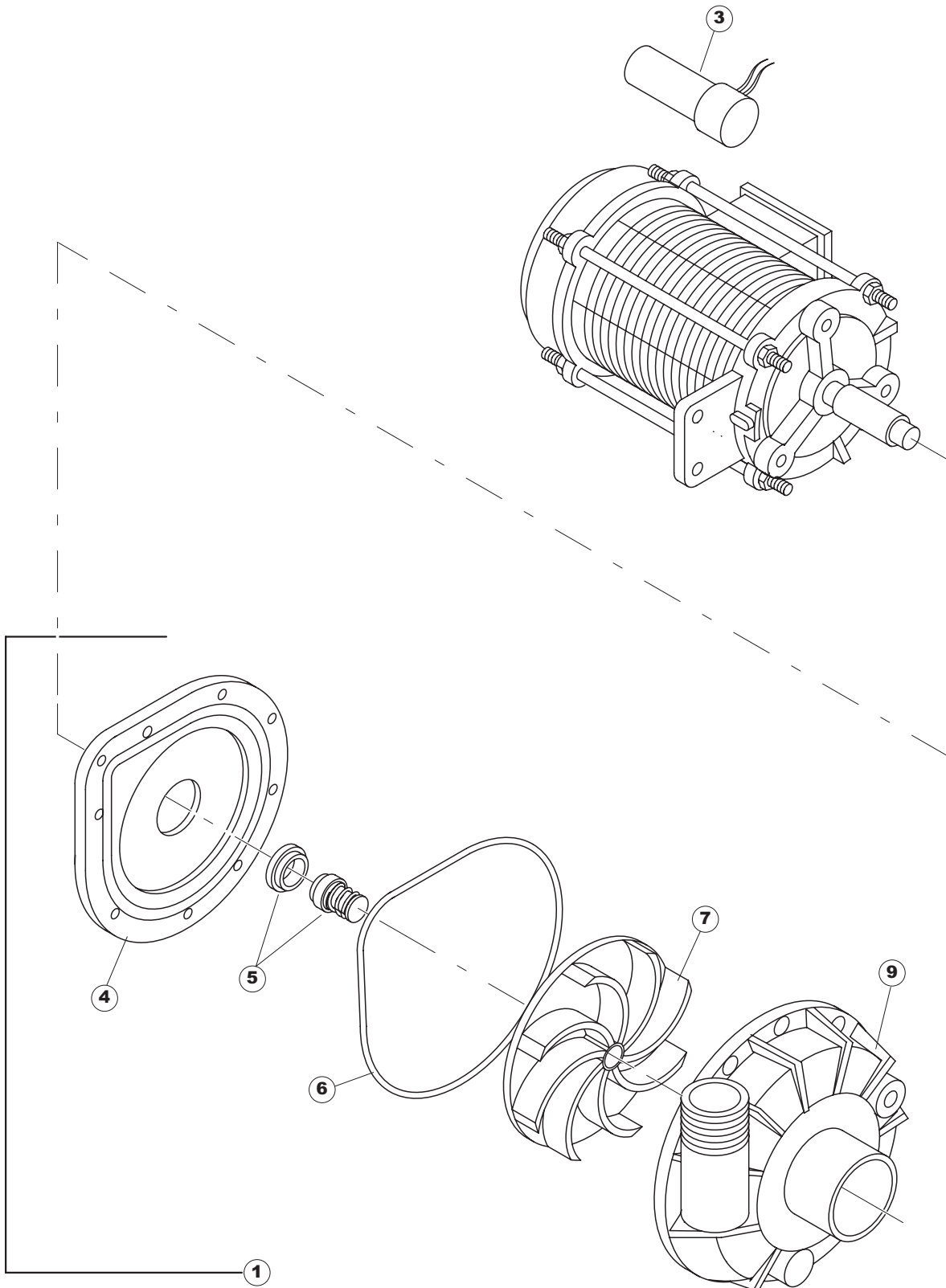
31	80283	PERNO INFERIORE LANCIA LAVAGGIO ALTO PIN, LOWER, WASH.NOZZLE, HIGH ZAPFEN, UNTEN, SPÜLLANZE HOCH PIVOT INFERIEUR RAMPE DE LAVAGE HAUT PERNO INFERIOR LANZA LAVADO ALTO	
32	80316	PARZIALIZZATORE RIVER CAPOT DRAUGHT SHUTTER RIVER CAPOT DROSSELGERAT RIVER-DURCHSCHUBSPÜLAUTOM. ETANGLEUR RIVER CAPOT PARCIALIZADOR RIVER CAPOT	
33	80281	GHIERA LAVAGGIO INFERIORE INTERNO ALTA RING NUT, INSIDE LOWER WASHING, HIGH GEWINDERING, INN. UNT. SPÜLEN, HOCH BAGUE LAVAGE INF. INT. HAUTE VIROLA LAVADO INFERIOR INTERNO ALTA	
35	80871	MICRO MAGNETICO MAGNETIC DOOR SWITCH TUERKONTAKTSCHALTER CONTACTE MAGNETIQUE CONTACTO MAGNETICO	
36	929104	PRESSACAVO 106/21 0B0 CABLE CLAMP 106/21 OBO KABELKLEMME 106/21 OBO PRESSE-CABLE 106/21 OBO SUJETA-CABLE 106/21 OBO	
37	H.775489-001	CLIP SONDA TEMPERATURA D5 CLIP FOR TEMP.SENSOR D5 KLIPP FÜR TEMP.FÜHLER D5 CLIP SONDE TEMPERATURE D5 CLIP SONDA TEMPERATURA D5	
38	231016	SONDA TEMPERATURA TEMP. PROBE KUGEL SONDE SONDA TEMPERATURA (AMPOLLA ACERO)	
39	80389	BOILER RIVER CAPOT BOILER RIVER CAPOT BOILER DURCHSCHUBSPÜLAUTOM. RIVER CHAUDIERE RIVER CAPOT CALENTADOR RIVER CAPOT	
40	456002	OR 48x6,2 O-ring 48x6,2 O-Ring 48x6,2 OR 48x6,2 OR 48x6,2	
41	80398C	RESISTENZA B. 9500W 230V RIVER 82/83 RESISTANCE, B. 9500W 230V RIVER 82/83 WIDERSTAND, B. 9500W 230V RIVER 82/83 RESISTANCE CH. 9500W 230V RIVER 82/83 RESISTENCIA B. 9500W 230V RIVER 82/83	
42	DWD3	DOSAT IDRAUL BRILL.(MAND.D6)DIB0805E4007 DISPENSER, HYDR.XRINSE-AID(MAND.D6)DIB0805E4007 DOSIERER, HYDR. FÜR KLARSP.(MAND.D6)DIB0805E4007 DOS. HYDR. TENSIOACTIF(MAND.D6)DIB0805E4007 DOSIF. HIDRAUL ABRILL. (IMPULS.D6)DIB0805E4011	
43	240016	VALVOLA DI CARICO 1VIA 3/4 230V PARZ.16L LOADING S.VALVE 1-WAY 3/4 230V PART.16L ZUFLUSSVENTIL 1-WEG 3/4 230V DROSS.16L SOUPAPE DE CHARG. 1VOIE 3/4 230V PARZ.16L VALVULA DE CARGA 1VIA 3/4 230V PARC. 16L	
45	926189	TERMOSTATO BOILER SIC.95ø THERMOSTAT, BOILER, SAF.95ø SICHERHEITSTHERMOSTAT BOILER 95° THERMOSTAT CHAUDIERE SEC. 95ø TERMOSTATO CALENTADOR SEG. 95ø	
47	468151	RACCORDO ENTRATA SAPONE CPL NM * SALDATO UNION, EXTRA DET. CPL NM * WELDED TANKEINLAUF CPL NM* RACCORD ENTREE SAVON CPL NM * SOUDE EMPALME ENTRADA JABON CPL NM * SOLDADO	
48	69850	PRESSOSTATO 40/20 PRESSURE SWITCH TYPE 40/20 DRUCKWAECHTER 40/20 PRESSOSTAT 40/20 PRESOSTATO CALIB.40/20	

49	143131	TUBO GOMMA PIPE SCHLAUCH FUER DRUCKSCHALTER TUYAU VER CODIGO 143005	
50	107012	CAMPANA PRESSOSTATO (L) RV40-50-CAPOTE AIR TRAP LUFTFALLE PRISE D'AIR CAMPANA PRESOSTATO (L) RV40-50-CAPOTA	
51	437098	GUARNIZIONE NUOVA CAMP.PRESS. PACKING FOR AIR TRAP OF PRESSURE SWITCH DICHTUNG FUER LUFTFALLE JOINT PRISE D'AIRE PRESSOSTAT JUNTA NUEVA CAMP.PRES.	
52	417120	DADO PLASTICA GRIGIO PLASTIC NUT KUNSTSTOFFMUTTER 1-1/4 ECROU EN PLASTIQUE TUERCA PLASTICO GRIS	



Pagina 4

1	80314	DADO LANCIA LAVAGGIO GRIGIO NUT, WASH-ARM GREY SCHRAUBENMUTTER, SPÜLLANZE GRAU ECROU RAMPE DE LAVAGE GRIS VER CODIGO 926128	
2	80311	PETTINE LAVAGGIO RIVER CAPOT COMB, WASHING RIVER CAPOT KAMM, SPÜLEN RIVER-DURCHSCHUBSPÜLAUTOM. PEIGNE LAVAGE RIVER CAPOT PEINE LAVADO RIVER CAPOT	
3	80310	SUPPORTO LANC/LAVAGGIO (RAL7001) SUPPORT, WASH-ARM/WASH. (RAL7001) HALTER, SPÜLLANZE/SPÜL. (RAL7001) SUPPORT RAMPE DE LAVAGE (RAL7001) SOPORTE LANC/LAVADO (RAL7001)	
4	926132	TAPPO PL.X BRACCIO DI RISC.(DWT312) CAP, PLASTIC FOR WASH. ARM (DWT312) PFROPFEN, KUNST. FÜR NACHSPÜLARM (DWT312) BOUCHON PL.POUR BRAS DE RINC.(DWT312) TAPON PL. X BRAZO DE ENJUAGUE (DWT312)	
5	CGR106	O-RING 106 GOMMA NITR. (6,75 X 1,78 NBR) O-ring 106 NITRILE RUBBER (6,75 X 1,78 NBR) O-RING 106 NITRILGUMMI (6,75 X 1,78 NBR) O-RING 106 CAOUTCHOUC NITRYLE (6,75 X 1,78 NBR) VER CÓDIGO 456030	
6	456019	OR 2037 O-ring 2037 O-Ring 2037 OR 2037 OR 2037	
7	80679	GHIERA ULTRA RINSE INOX NUT RING BAGUE VIROLA ULTRA RINSE INOX	
8	80644	PERNO	
9	140036	SPRUZZO RISCIAQUO D.2,5 X TUBO D12 RINSE JET DUESE GLICEUR ROCIADOR ENJUAGUE D. 2,5	
10	69632	CORPO PETTINE ARM BODY KOERPER DES NACHSPUELARMES CORPS BRAS CUERPO PEINE ENJUAGUE.	
13	69677	BRACCIO RISCIAQUO RINSE ARM NACHSPUELARM BRAS RINC PEINE ENJUAGUE RIVER 80/81	



Pagina 5

1	80134	ELETTROPOMPA 1100W 220-240V/50HZ PUMP 1100W PUMPE 1100W POMPE 1100W ELECTROBOMBA 1100W	
3	80191	CONDENSATORE 12,5MF CONDENSER KONDENSATOR 12,5MF DURITE CONDENSADOR DE 12. 5 mF	
4	80196	FLANGIA FLANGE FLANSCH BRIDE BRIDA CON SCUDO E.BOMBA	
5	80193	GUARNIZIONE WASHPUMP SHAFT SEAL MECHANISCHE DICHTUNG FUER MOTORPUMPE ETANCHEITE' POUR MOTOPOMPE ESTANQ. ROTOR BOMBA	
6	80199	CHIOCCIOLA GASKET PUMP PUMPEDICHTUNG JOINT POMPE JUNTA BOMBA	
7	80197	FLANGIA FLANGE FLANSCH BRIDE ROTOR E-BOMBA	
9	80198	CHIOCCIOLA ELECTROPUMP HOUSING PUMPENGEHAUSE VOLUTE POUR MOTOPOMPE ESPIRAL EL-BOMBA	