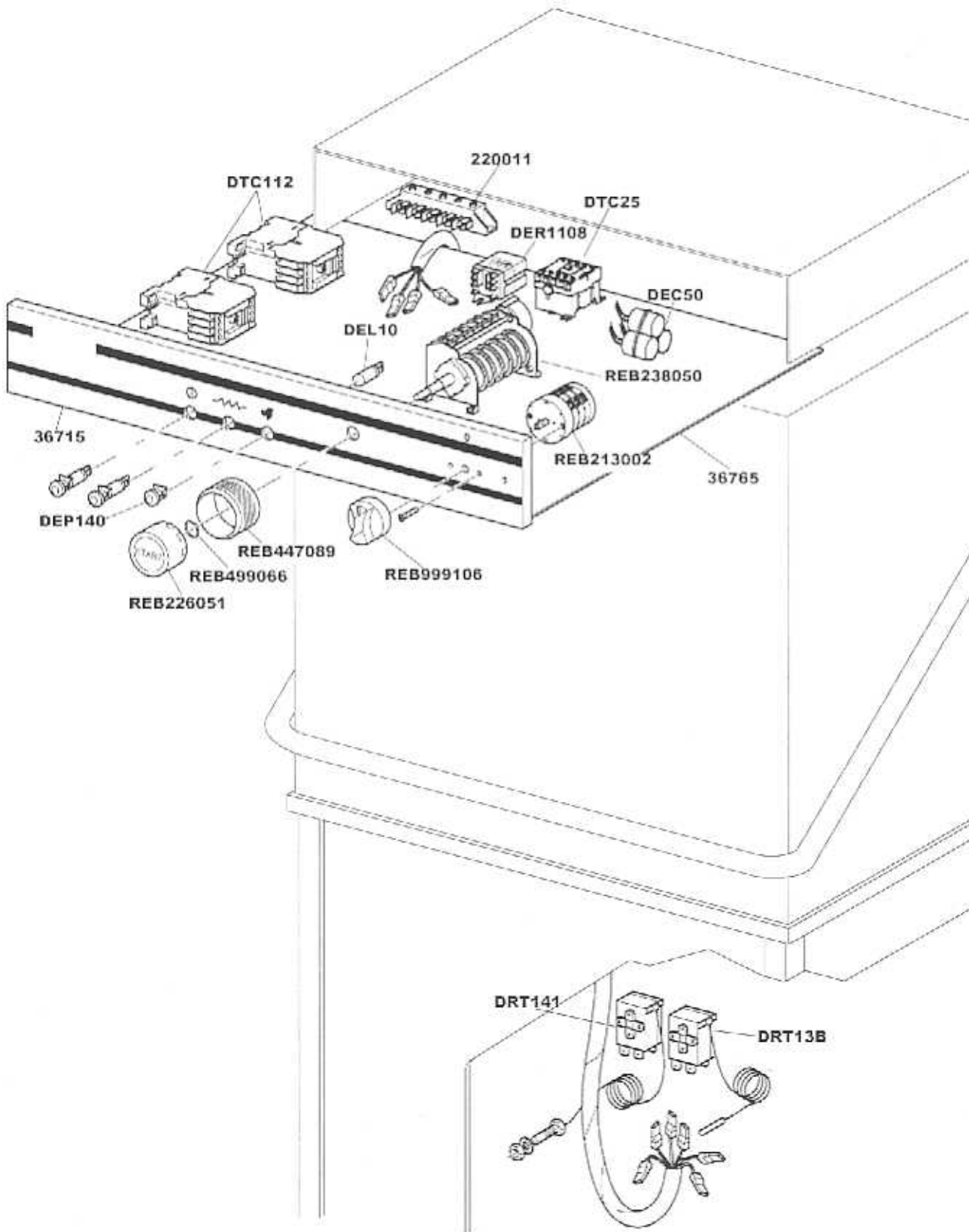
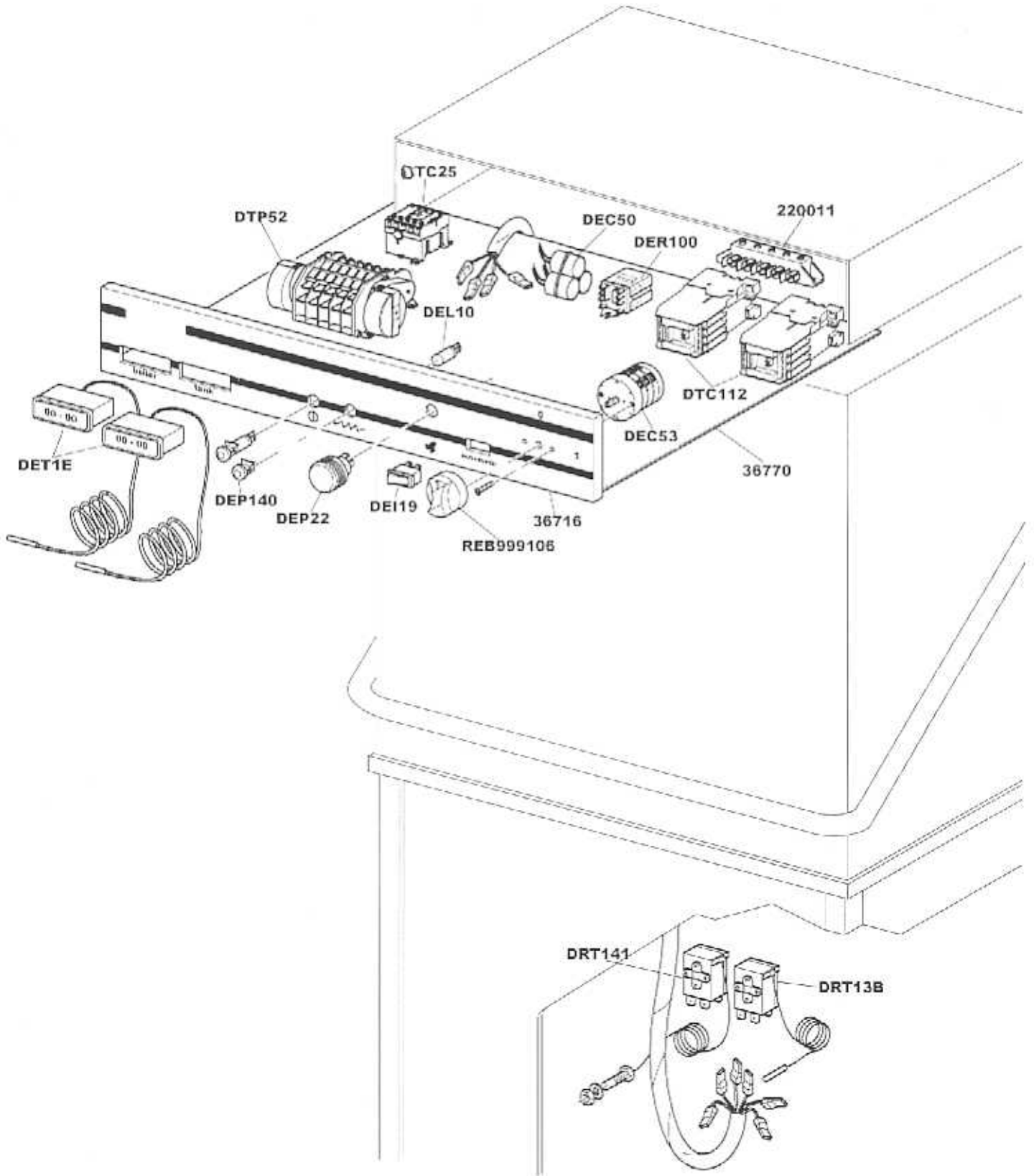
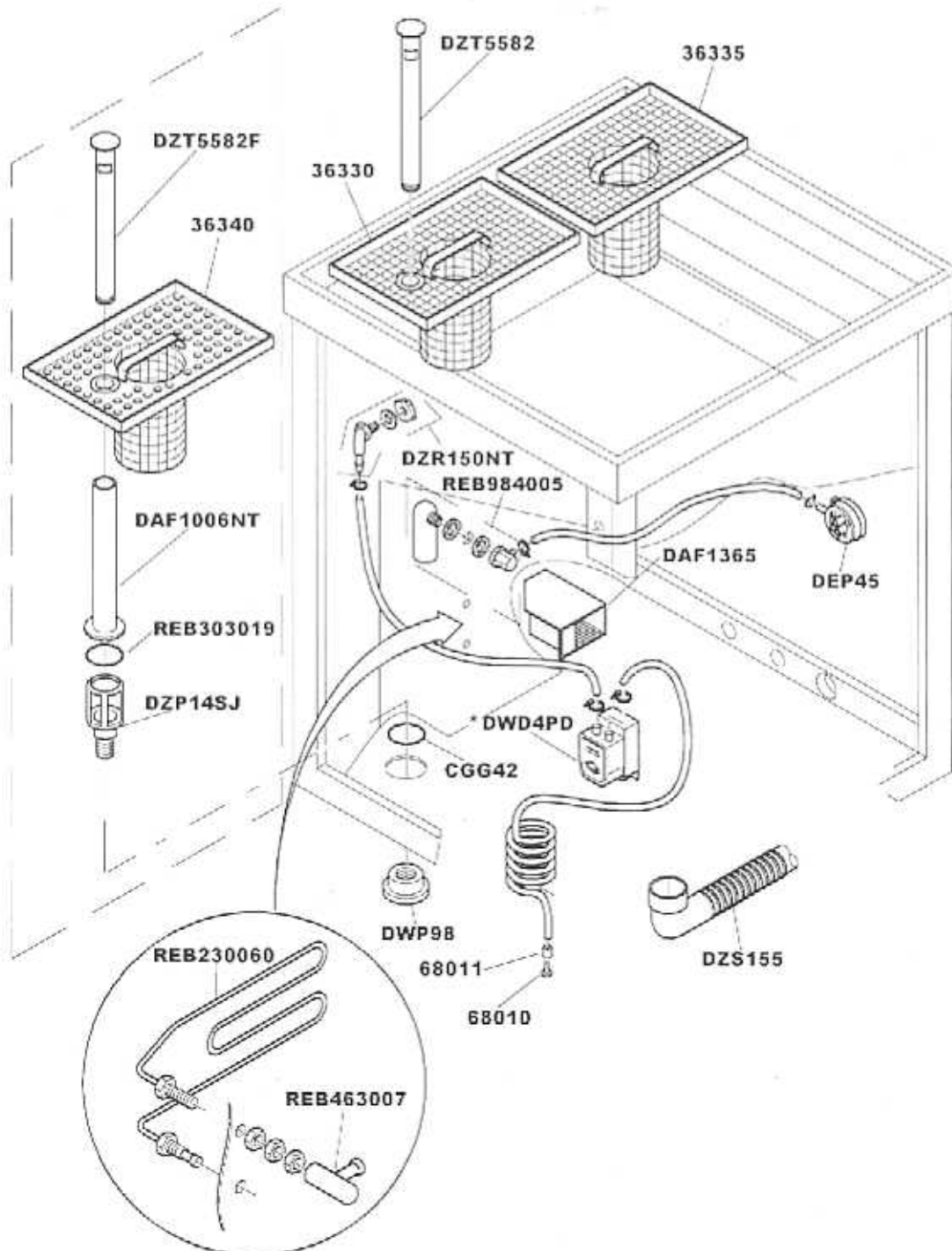
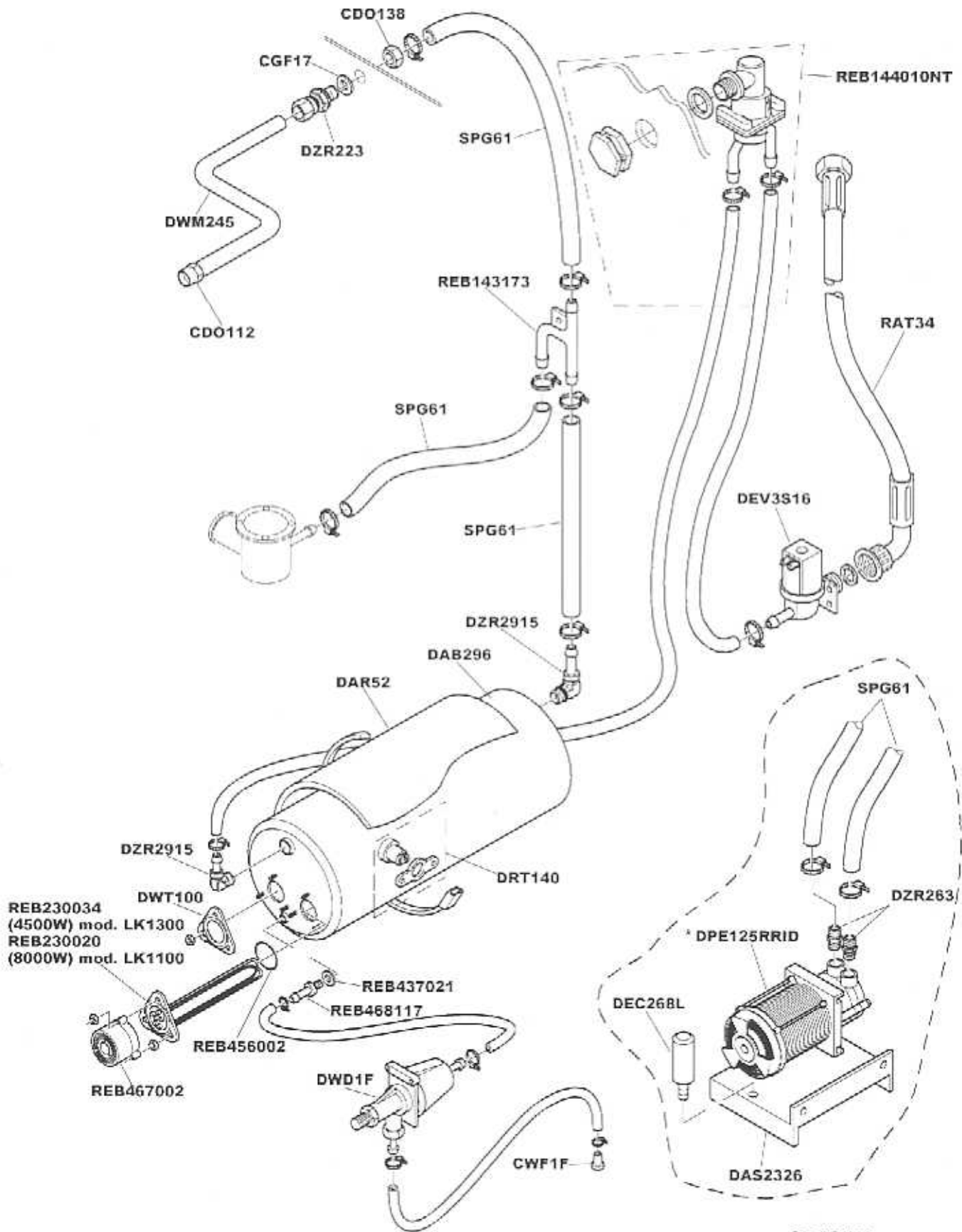


**LK1100/LK1300**



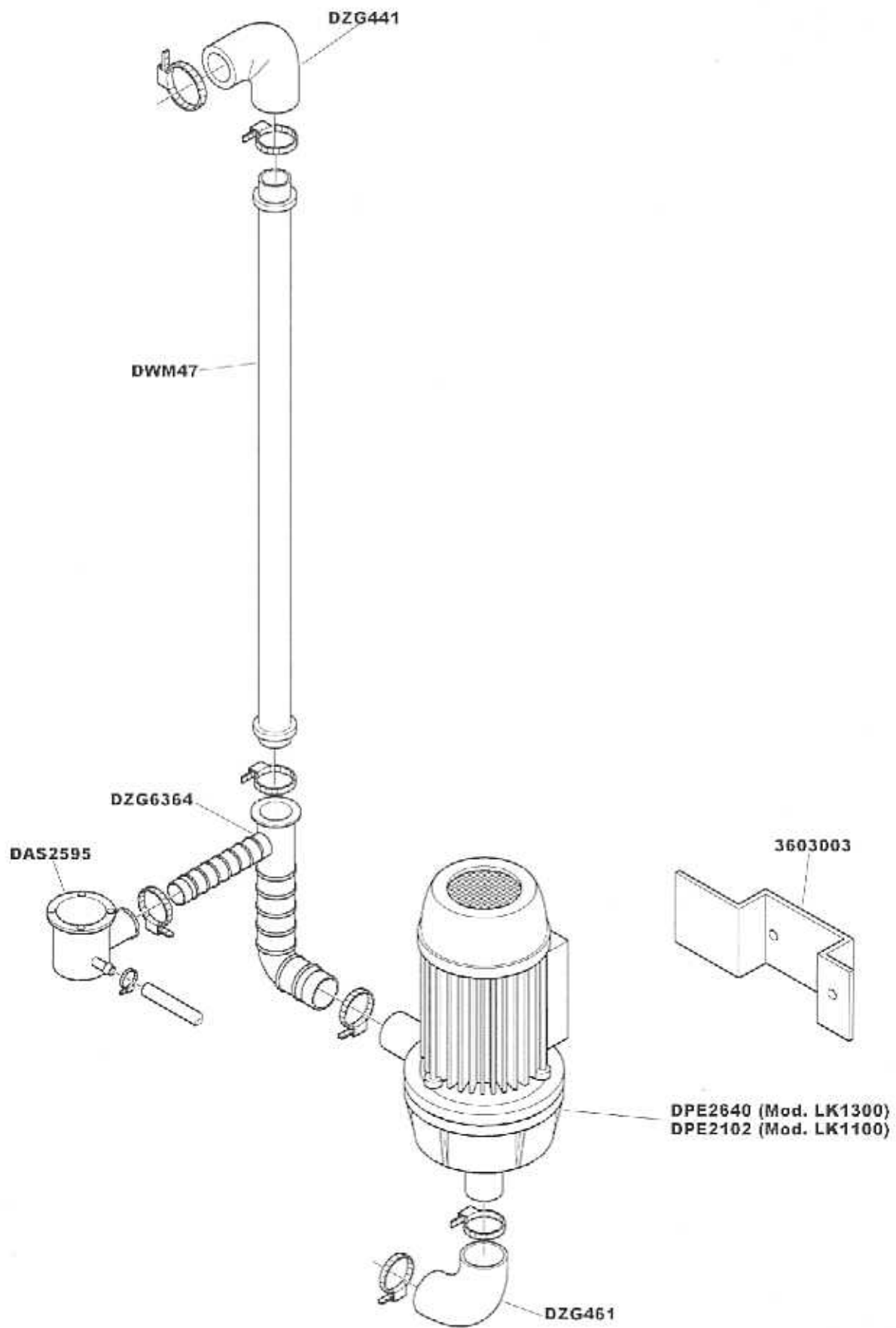




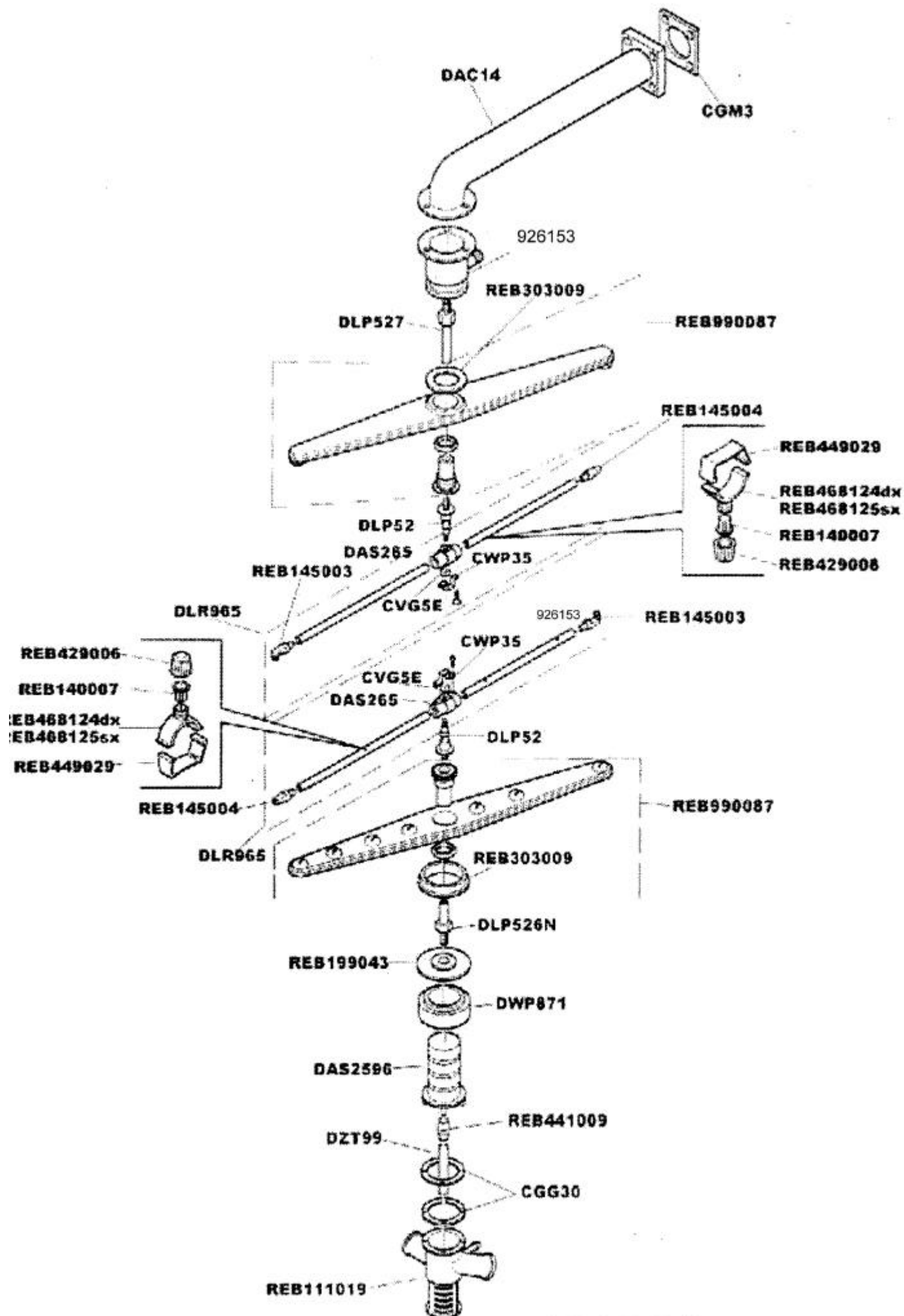


\* OPTIONAL

**LK1100/LK1300**

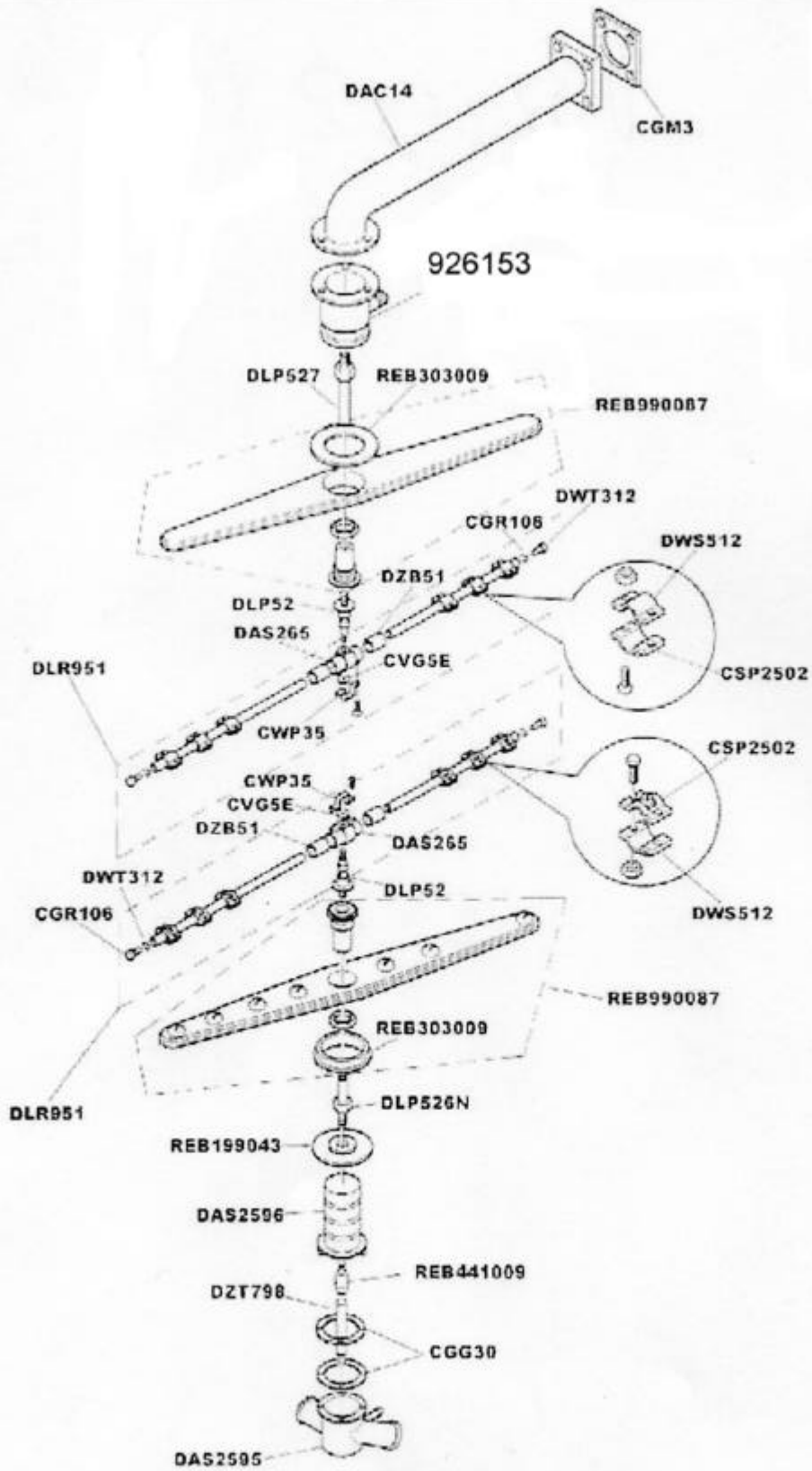


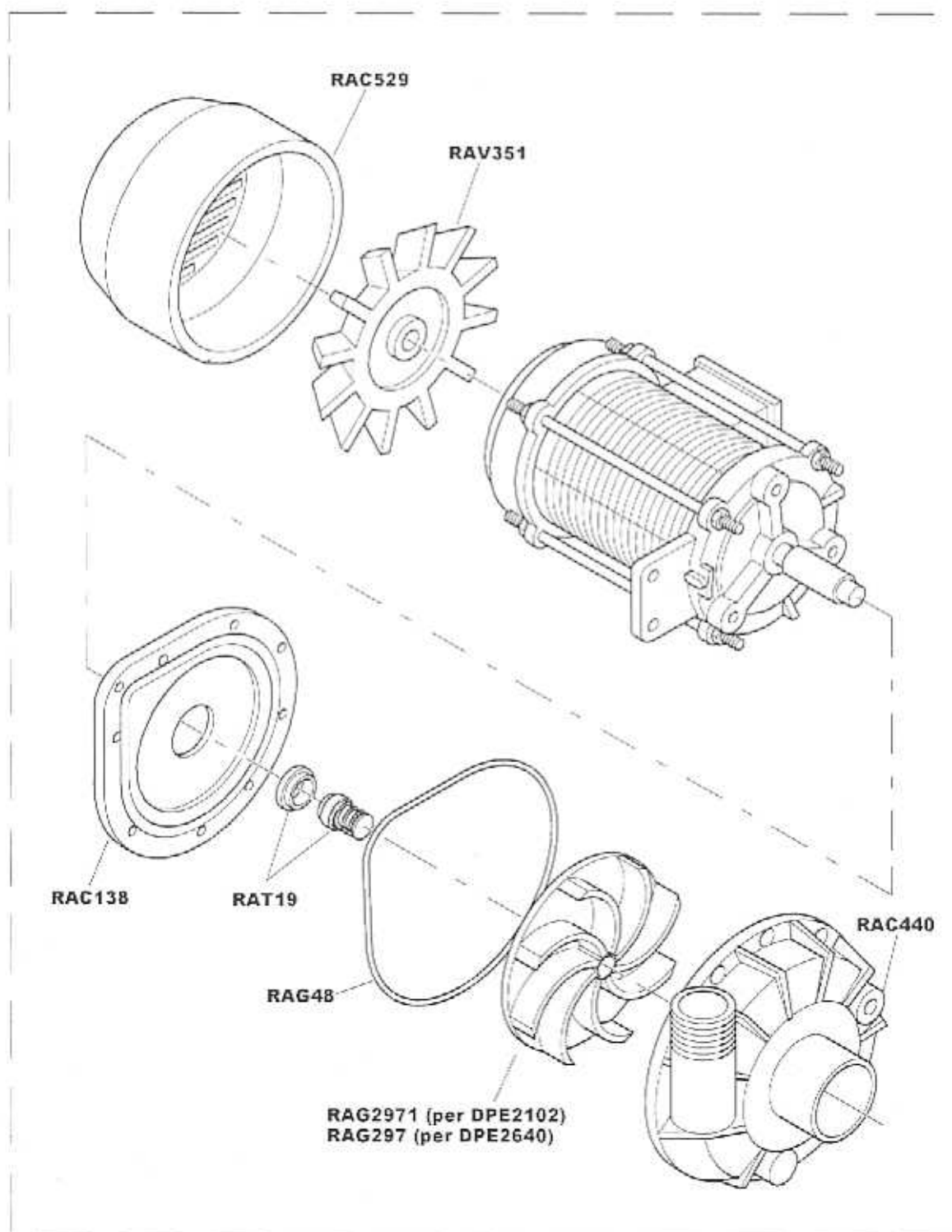
**LK1100/LK1300**



# LK1100/LK1300







DPE2102 (MOD.E120) 4225/1  
 DPE2640 (MOD.E140) 4225/2

**LK1100/LK1300**