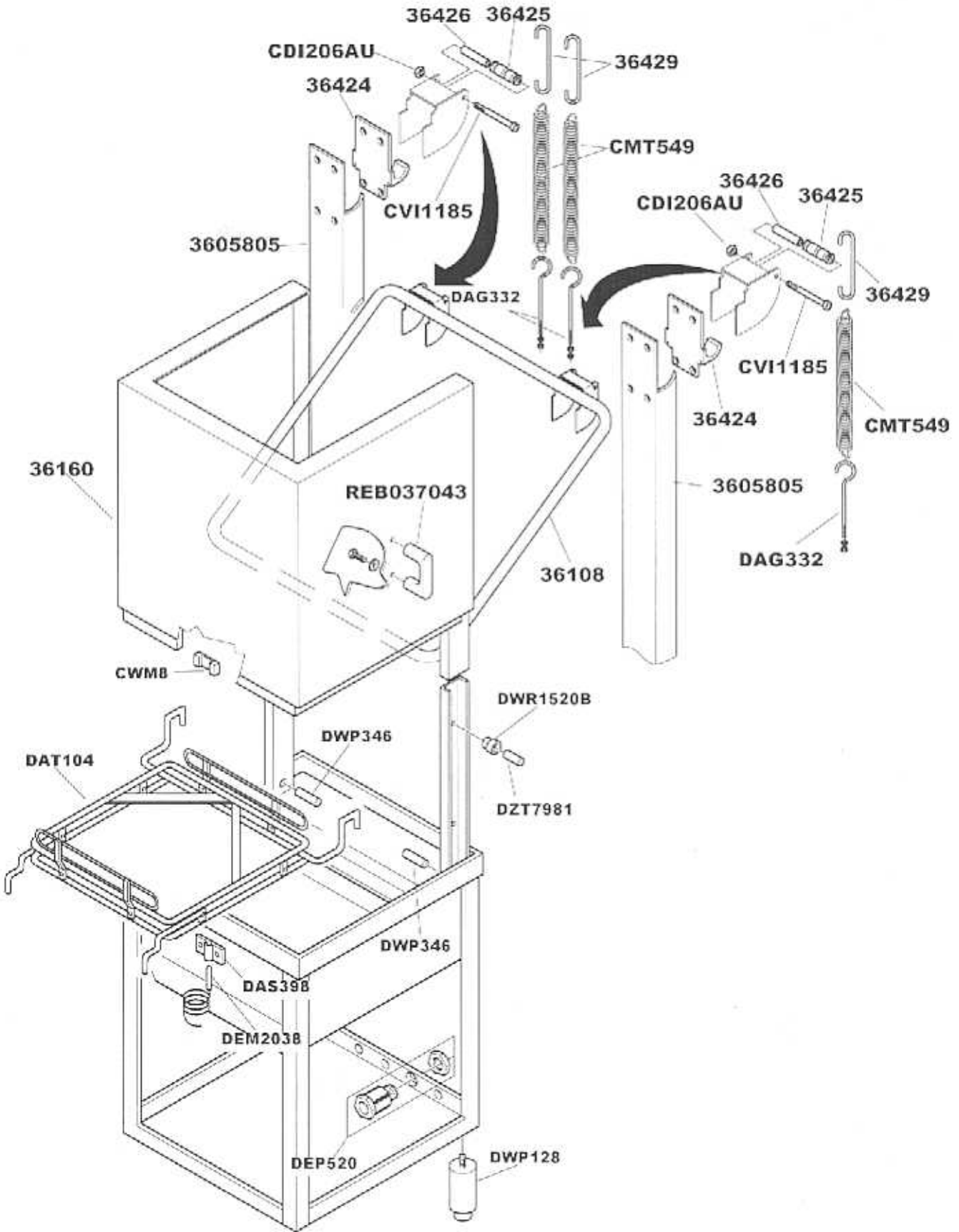
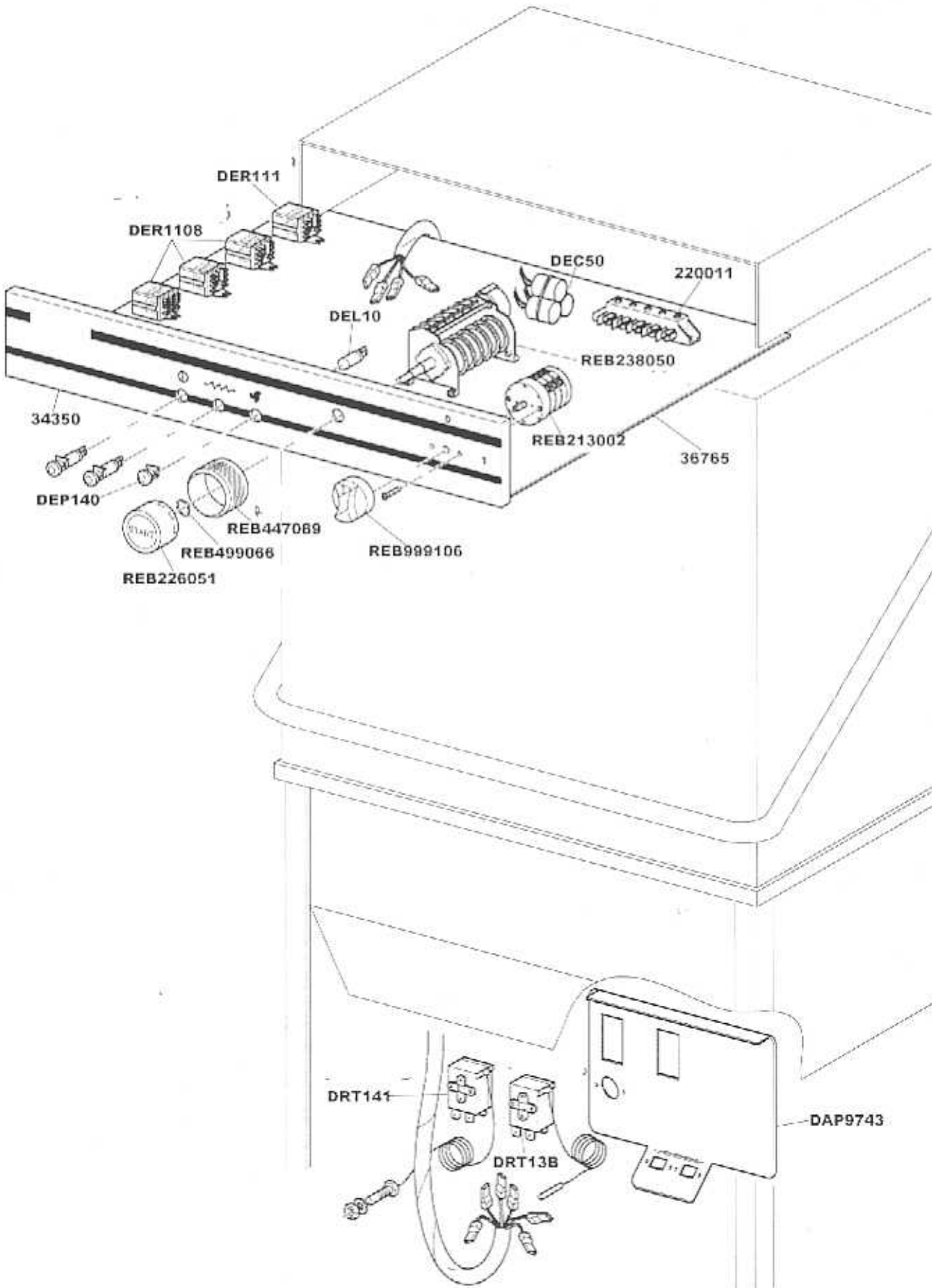


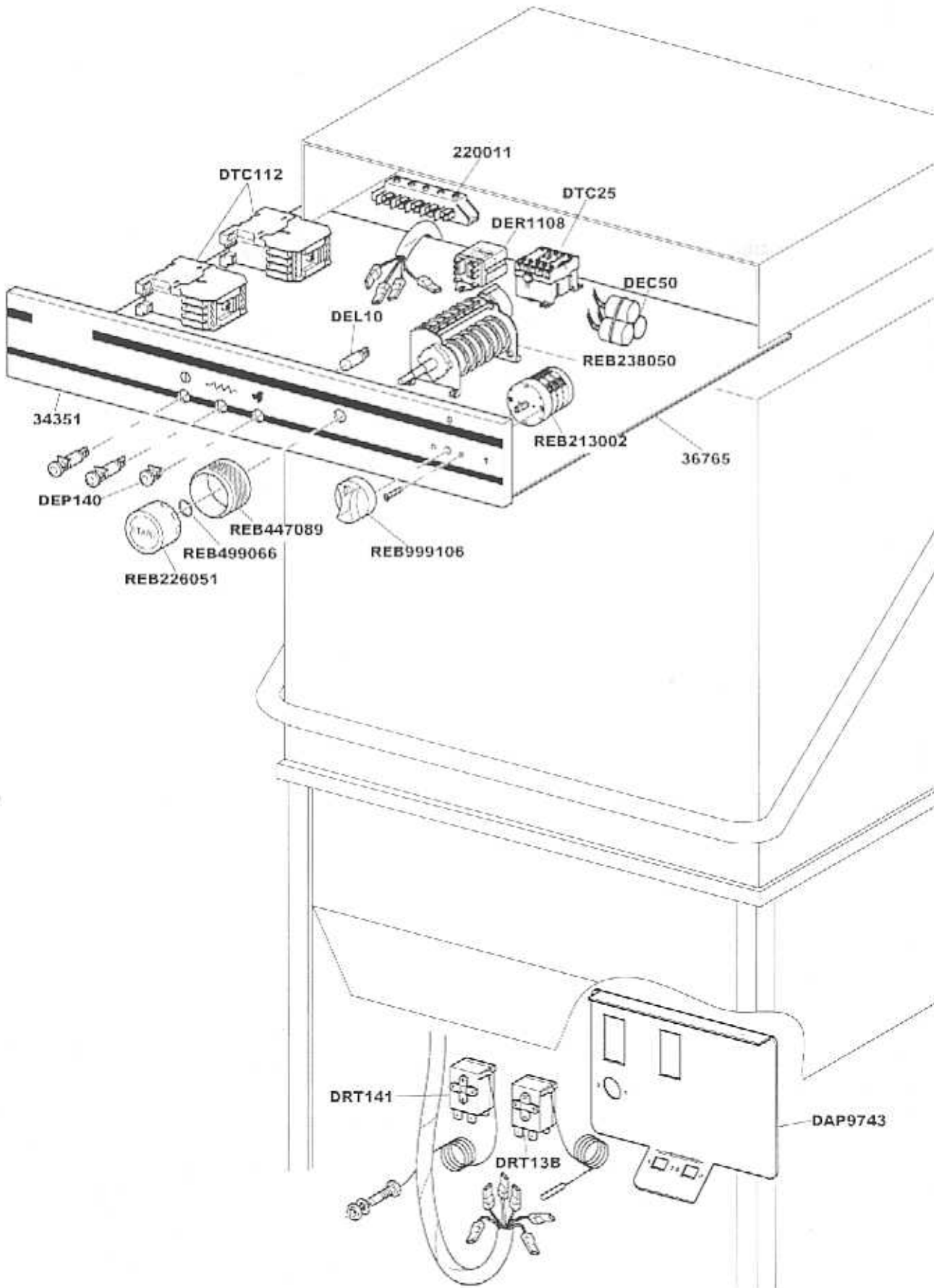
**LK1000/LK1010**



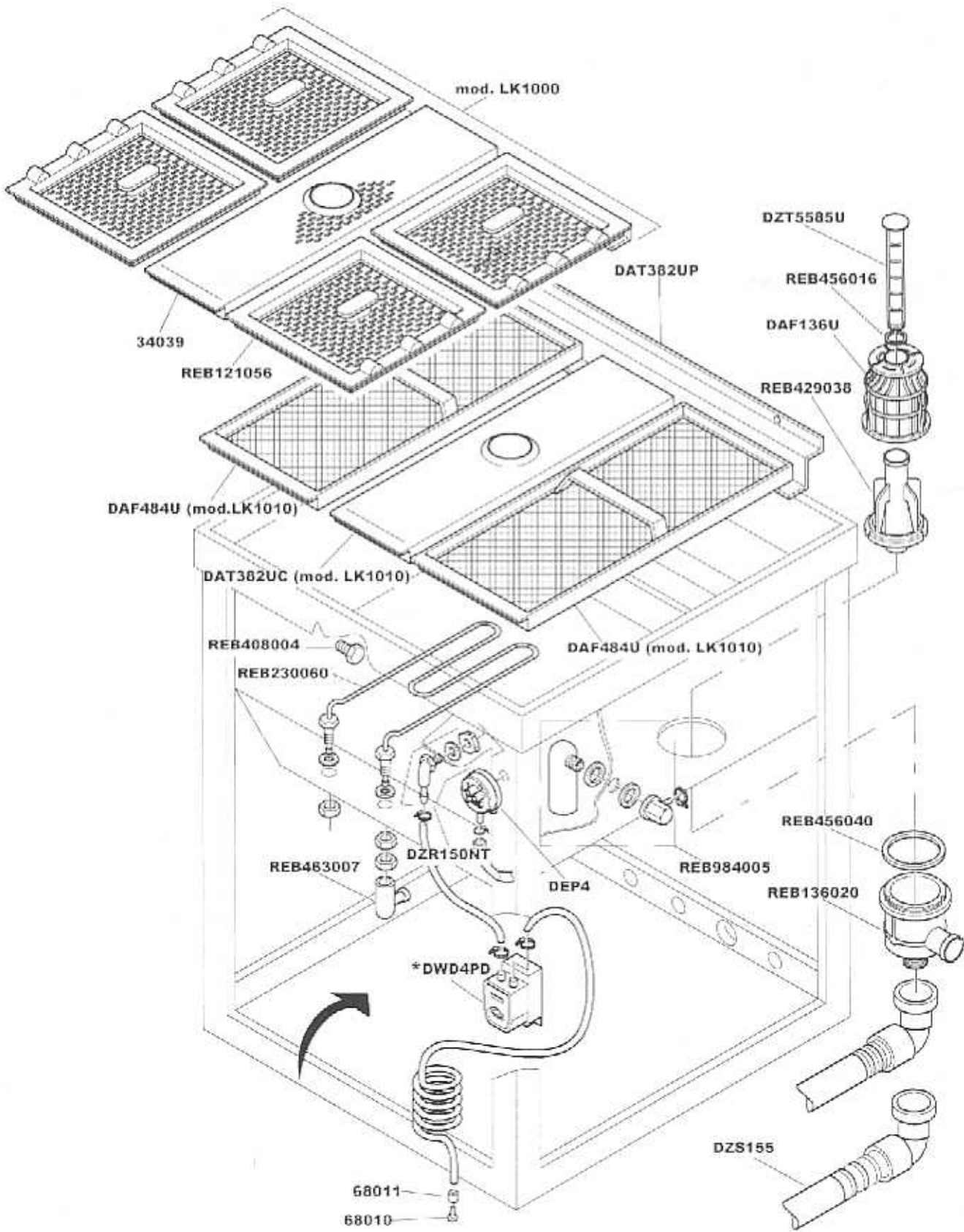
LK1000/LK1010



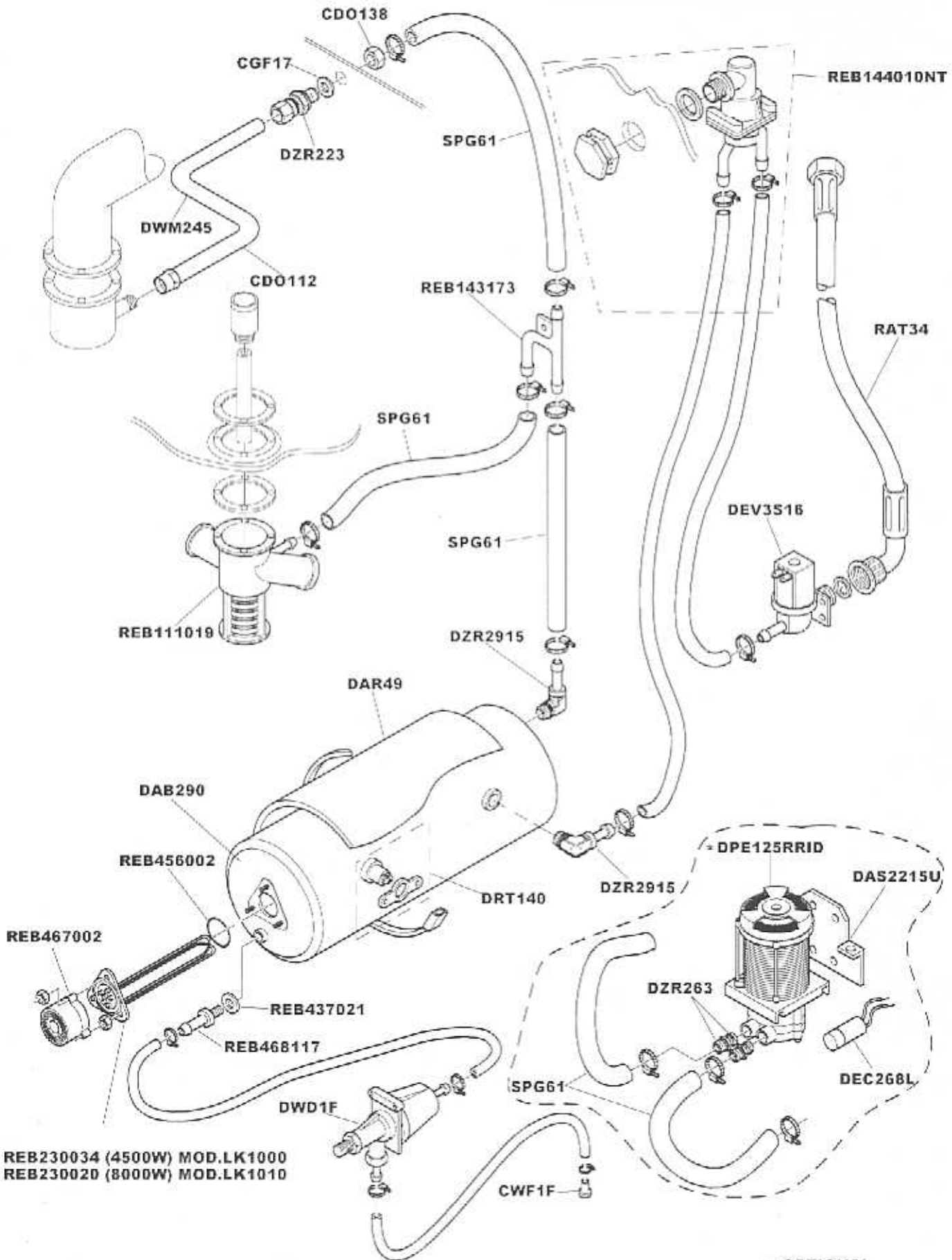
**LK1000/LK1010**



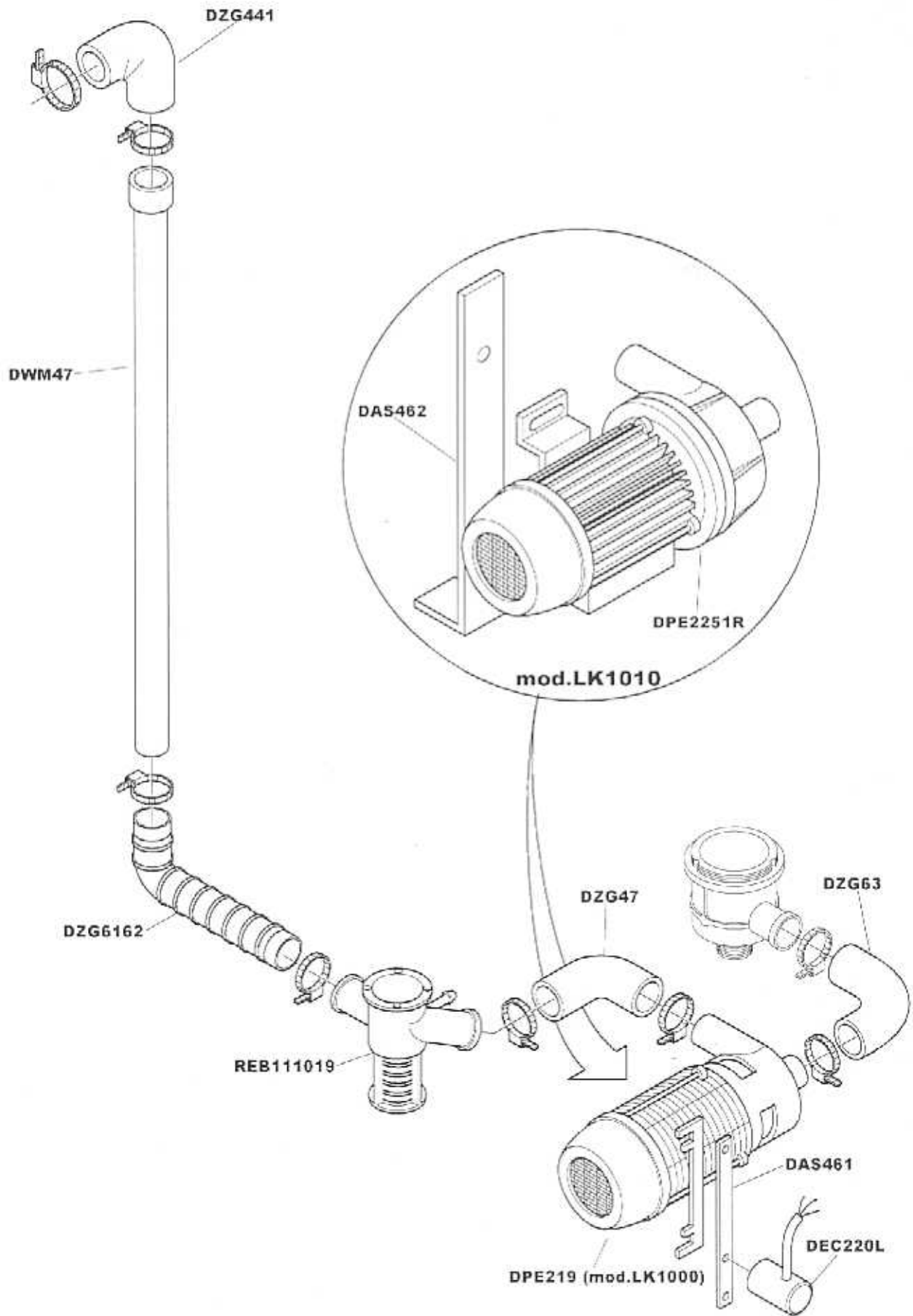
**LK1000/LK1010**



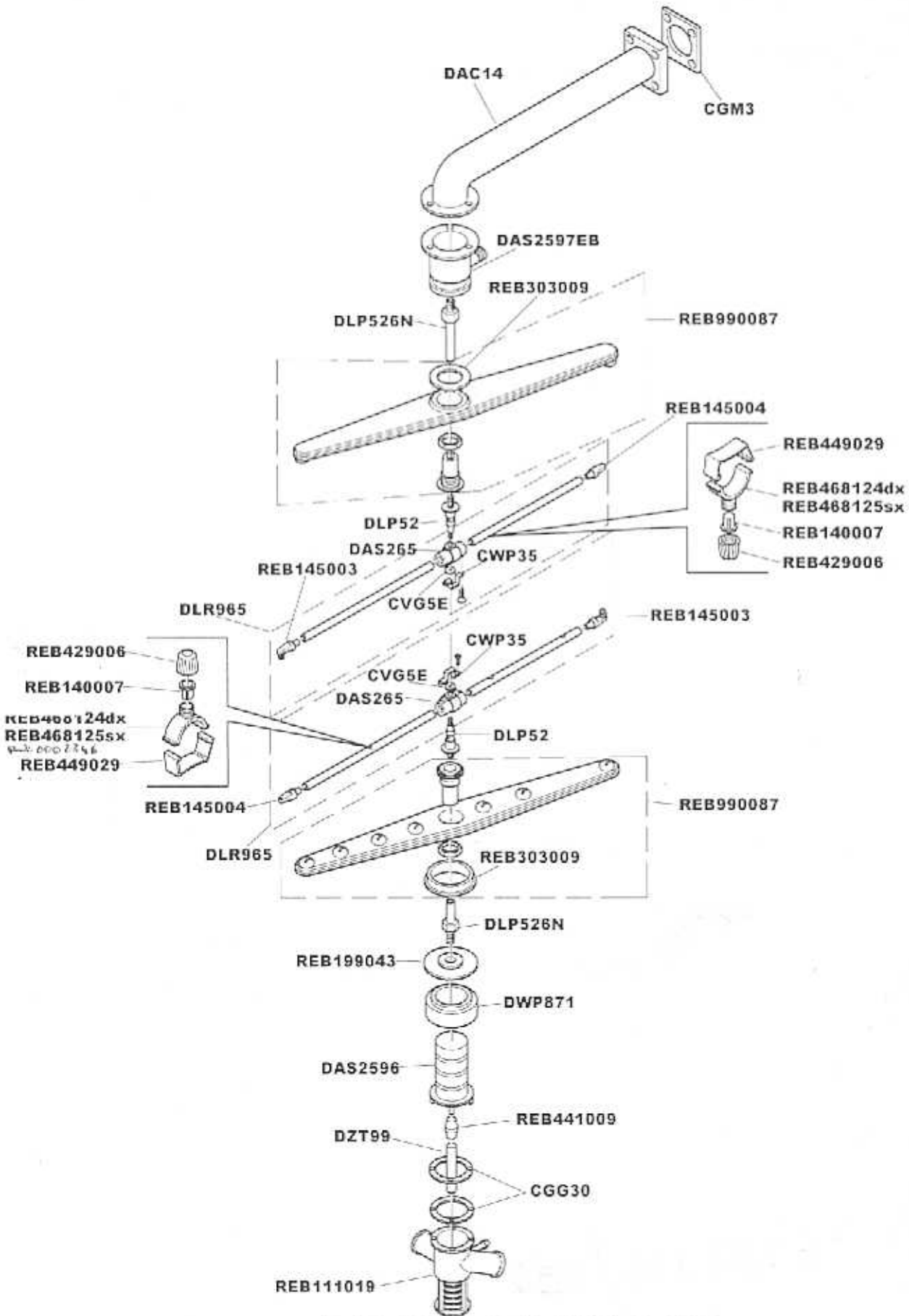
**LK1000/LK1010**



**LK1000/LK1010**

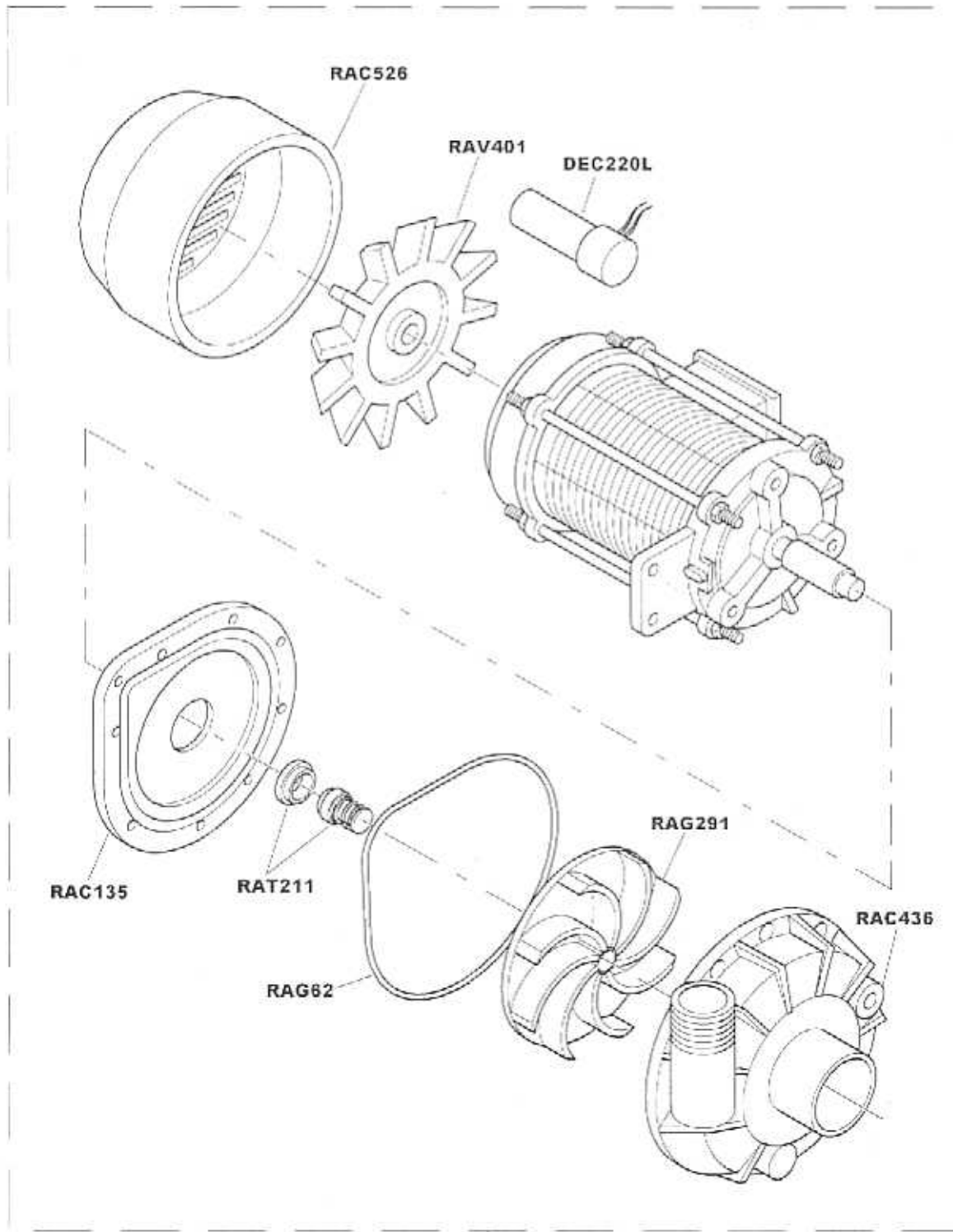


**LK1000/LK1010**



**LK1000/LK1010**

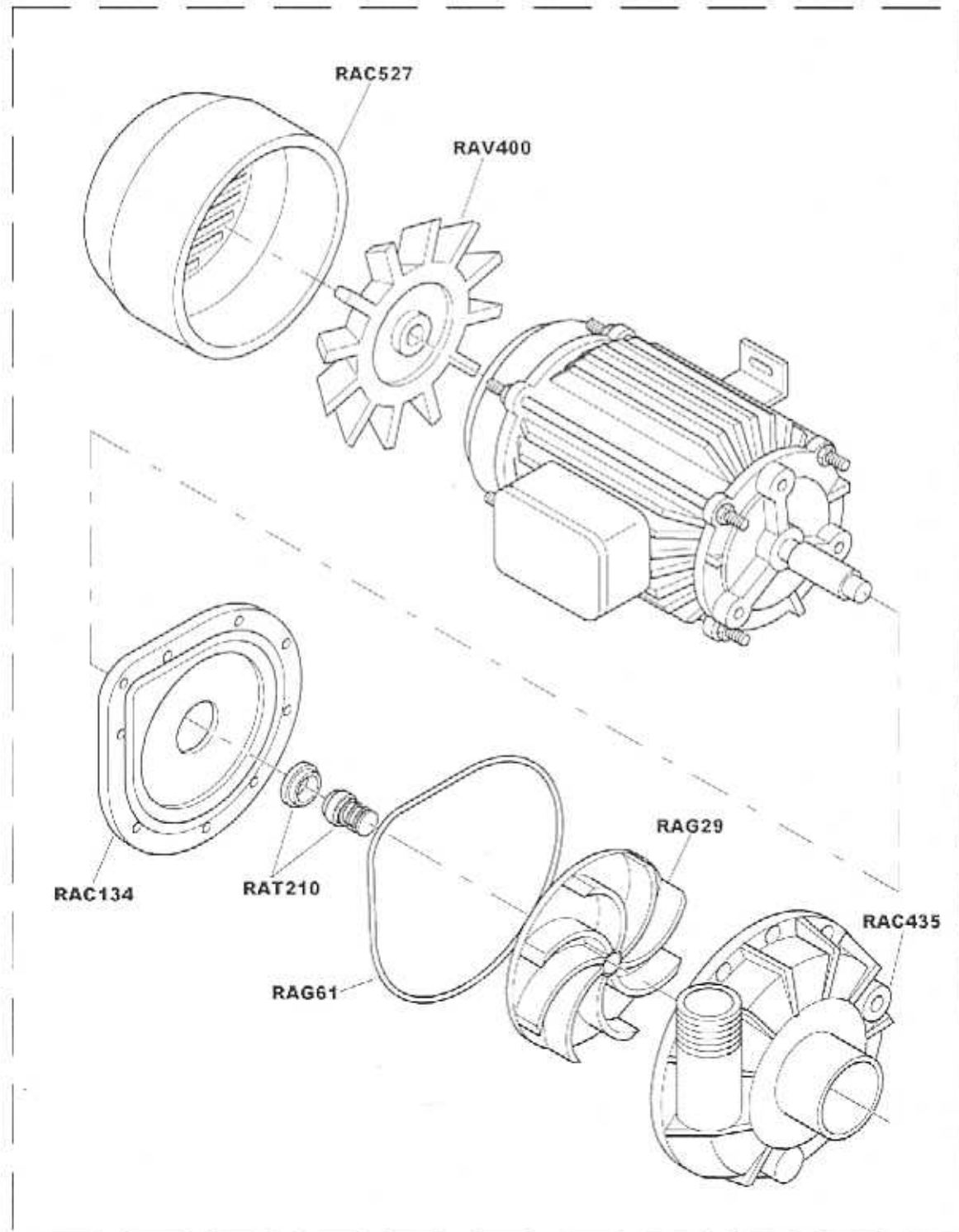




LK 1000

(ZF40 V) DPE219 (V220-240 50Hz)

**LK1000/LK1010**



DPE2251R

LK1010

**LK1000/LK1010**