

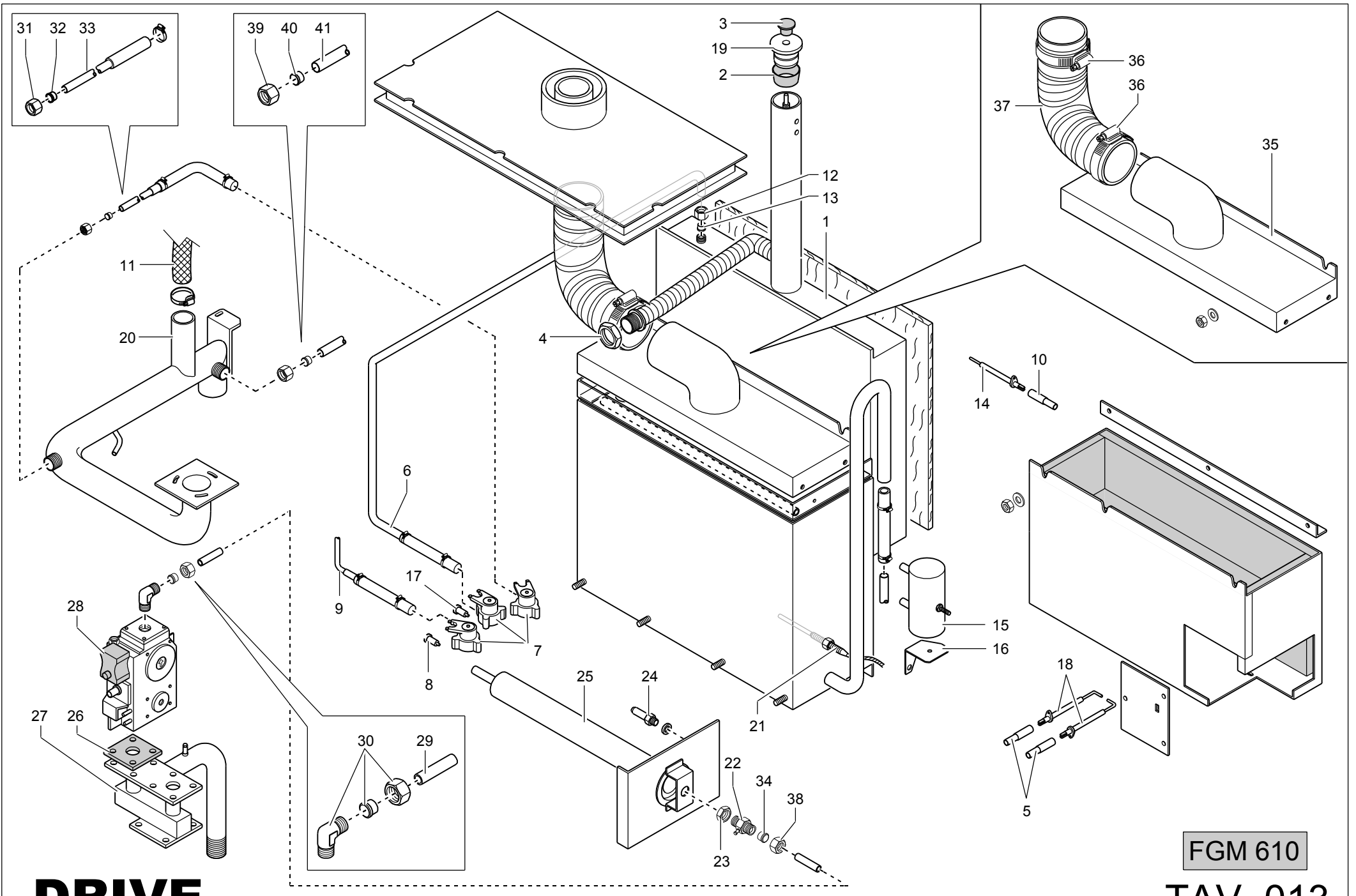
FEM 610/L  
FGM 610/L

A= solo per FGM 610

**DRIVE**

**TAV. 009**

TAVOLA	POS.	CODICE	DESCRIZIONE	DESCRIPTION	DESCRIPTION	TITEL
DRIVE TAV. 009	1	GAFOC00030	AS.CERN.SUP.SX P.F.	CHARNIÈRE SUPÉRIEURE GAUCHE	INGE PIN SUPER.LEFT	TÜRANGEL OBEN LINKS
DRIVE TAV. 009	1-1	GAFOC00213	AS.CERN.SUP.DX P.F.	CHARNIÈRE SUPÉRIEURE DROITE	INGE PIN SUP. RIGHT	TÜRANGEL RECHTS
DRIVE TAV. 009	2	161270	GR. VETRO INT. SX/DX	C/PORTE DU FOUR GAUCHE	C/OVEN DOOR LEFT	C/OFENTÜR LINKS
DRIVE TAV. 009	3	161158	AS.PORTA FORNO.SX	PORTE DU FOUR GAUCHE	OVEN DOOR LEFT	OFENTÜR LINKS
DRIVE TAV. 009	3-1	161619	AS.PORTA FORNO.DX	PORTE DU FOUR DROITE	OVEN DOOR RIGHT	OFENTÜR RECHTS
DRIVE TAV. 009	4	161171	VETRO ESTERNO SX/DX	VERRE EXTER GAUCHE/DROITE	EXTERNAL GASKET LEFT/RIGHT	EXTERNER GLAS RECHTS/LINKE
DRIVE TAV. 009	5	161107	ASS. CASS. FORNO FEM610	CAISSON	BODY	SCHUBLADE
DRIVE TAV. 009	5A	161106	ASS. CASS. FORNO FGM610	CAISSON	BODY	SCHUBLADE
DRIVE TAV. 009	6	PAFOC00583	CERN.INF.P.F.DX	CHARNIÈRE INFÉRIEUR DROITE PORTE DU FOUR	INGE PIN INF. RIGHT	TÜRANGEL INF. RECHTS
DRIVE TAV. 009	6-1	161387	CERN.INF.P.F.SX	CHARNIÈRE INFÉRIEUR GAUCHE PORTE DU FOUR	INGE PIN INFER.LEFT	TÜRANGEL UNTENLINKS
DRIVE TAV. 009	7	160912	MANIGLIA	POIGNÉE	HANDLE	HANDGRIFF
DRIVE TAV. 009	8	RTFOC00338	ANELLO EST.MAN.P.F.	ANNEAU EXT. POIGNÉE PORTE DU FOUR	OUTWARD RING OVEN DOOR HANDLE	HANDGRIFF
DRIVE TAV. 009	9	160911	BASETTA MANIGLIA	EPAISSEUR POIGNÉE	HANDLE	HANDGRIFF
DRIVE TAV. 009	10	RTFOC00337	ANELLO INT.GRADINO MAN.P.F.	ANNEAU INTERIEUR EPAISSEUR	INNER RING	INNENRING
DRIVE TAV. 009	11	161176	AS. CASSETTO SX INT. P.F.	GROUPE BASSIN GAUCHE	UNIT DRAWER LEFT	GRUPPE SCHUBLADE LINKE
DRIVE TAV. 009	11-1	161566	AS. CASSETTO DX INT. P.F.	GROUPE BASSIN DROITE	UNIT DRAWER RIGHT	GRUPPE SCHUBLADE RECHTS
DRIVE TAV. 009	12	161135	AS.CASSETTO SX	BASSIN GAUCHE	TRAY LEFT	SCHUBLADE LINKS
DRIVE TAV. 009	12-1	161574	AS.CASSETTO DX	BASSIN DROITE	TRAY RIGHT	SCHUBLADE RECHTS
DRIVE TAV. 009	13	RTFOC00413	PIEDINO+T.OTTAG.FGC065/87,5	PIED	FOOT	FUSS
DRIVE TAV. 009	14	RTFOC00711	MICROINT.FCV.	MICRO-INTERRUPTEUR PORTE DU FOUR	MICRO OVEN DOOR	MIKRO OFENTÜR
DRIVE TAV. 009	15	165050	AS.CRUSCOTTO	PANNEAU DE CONTRÔLE	CONTROL PANEL	STIRNBRETT
DRIVE TAV. 009	16	PAFOC00491	FIANCO DX	CÔTÉ DROITE	RIGHT SIDE	RECHTE SEITE
DRIVE TAV. 009	17	165337	POSTERIORE INOX	PANNEAU POSTERIEUR	BACK PANEL	HINTEN
DRIVE TAV. 009	18	161204	AS.COPERCHIO FEM610	COUVERCLE EXT.	COVER EXT.	ABDECKUNG
DRIVE TAV. 009	18A	161202	AS. COPERCHIO FGM610	COUVERCLE EXT.	COVER EXT.	ABDECKUNG
DRIVE TAV. 009	19	PAFOC00493	FIANCO SX	CÔTÉ GAUCHE	LEFT SIDE	LINKE SEITE
DRIVE TAV. 009	20	161502	AS. GHIERA BLOCCO VETRO	GROUPE BAGUE BLOCAGE VERRE	UNIT LUCKING GLASS NUT	GRUPPE GEFESTIGUNGSMUTTER GLAS
DRIVE TAV. 009	21	GAFOC00027	AS.C/FORO CASS.	COUVRE TROU	PLUG	LOCHABDECKUNGSPROPFEN
DRIVE TAV. 009	22	RTFOC00555	AT.GRIGLIA LAT.F.	ATTAQUE GRILLE LATÉRALE	GRILL CONNECTION SIDE	GRILLAUFPLAGE SEITE
DRIVE TAV. 009	23	RTFOC00197	MOTORIDUTTORE	DÉMARREUR	MOTOR	MOTOR
DRIVE TAV. 009	24	RTFOC00192	ALBERO SCARICO	ARBRE	SHAFT	WELLE
DRIVE TAV. 009	25	RTFOC00711	MICROINTERRUTTORE	MICRO-INTERRUPTEUR	MICROSWITCH	MIKROSWALTER
DRIVE TAV. 009	26	RTFOC00553	ASTA SCARICO CONDENSA	BARRE TRANSVERSAL	ROD TRANSVERS.	STAB
DRIVE TAV. 009	27	PAFOC00680	DISCO INF.SCARICO COND.	DISQUE INFÉRIEUR DÉCHARGÉ	DISC INFER. OUTLET	SCHEIBE UNTEN AUSGANG
DRIVE TAV. 009	28	RTFOC00382	*CORNICI FIS.VETRO P/LAMP.	CADRE DU PORTELAMPE	MOULDING P/LAMP	UMRAHMUNG P/LAMPE
DRIVE TAV. 009	29	161283	GUARNIZIONE P/LAMPADA	GARNITURE DU PORTELAMPE	GASKET P/LAMP	DICHTUNG P/LAMPE
DRIVE TAV. 009	30	RTFOC00201	*VETRO P/LAMPADA	VERRE DU PORTELAMPE	GLASS P/LAMP	GLAS P/LAMPE
DRIVE TAV. 009	31	161281	PORTA LAMPADA	PORTELAMPE	DOOR LAMP	PORTA LAMPE
DRIVE TAV. 009	32	161282	LAMPADA	LAMPE	LAMP	LAMPE
DRIVE TAV. 009	33	RTFOC00009	GANCIO	CROCHET	HOOK	HAKEN
DRIVE TAV. 009	34	RTFOC00005	ZOCCOLO ESTERNO	GODET EXTÉRIEUR	OUTWARD BASE	SOCKEL AUSSEN
DRIVE TAV. 009	35	161513	MOLLA FERMO GHIERA	RESSORT DE LA SERRURE DU VIROLE	FERRULE LOCK SPRING	FEDER DES MUTTER-SCHLOSSES
DRIVE TAV. 009	36	RTMIN00022	DADO CIECO	ECROU	NUT	MUTTER
DRIVE TAV. 009	37	161580	AS. PROTEZIONE SERRATURA DX	GROUPE PROTECTION SERRURE DROITE	UNIT RIGHT LOCK PROTECTION	GRUPPE SHUTZSCHLOSS RECHTZ
DRIVE TAV. 009	37-1	161150	AS. PROTEZIONE SERRATURA SX	GROUPE PROTECTION SERRURE GAUCHE	UNIT LEFT LOCK PROTECTION	GRUPPE SHUTZSCHLOSS LINKE
DRIVE TAV. 009	38	161411	GUARNIZIONE CRUSCOTTO	GARNITURE PANNEAU DE CONTRÔLE	CONTROL PANEL GASKET	DICHTUNG STIRNBRETT
DRIVE TAV. 009	39	RTFOC00721	GUARNIZIONE FACCIATA	GARNITURE DEVANTURE	GASKET FACE	DICHTUNG OFENVORDERWAND
DRIVE TAV. 009	40	RTFOC00302	ANELLO TENUTA ALB.MOT.	ANNEAU	RING	RING
DRIVE TAV. 009	41	161477	DISTANZIALE GOMMINO P.F.	BOUCHON DE LA PORTE	DOOR RUBBER CAP	TÜR GUMMI
DRIVE TAV. 009	42	GAFOC00005	SERRATURA	SERRURE	LOCK	SCHLOSS
DRIVE TAV. 009	43	RTFOC00057	ZOCCOLO CENTRALE	GODET CENTRAL	CENTRAL BASE	SOCKEL ZENTRAL
DRIVE TAV. 009	44	PAFOC00329	DISCO SCARICO COND.FEC200	DISQUE DÉCHARGÉ	DISK OUTLET	SCHEIBE AUSGANG
DRIVE TAV. 009	45A	AFC0000012	CAMINO ANTIVENTO	CHEMINÉE ANTIVENT	CHIMNEY	KAMIN WINDSCHUTZ
DRIVE TAV. 009	46A	RTFOC00229	CAMINO SUP.FGM061	CHEMINÉE SUPÉRIEURE	UPPER CHIMNEY	OBERER SCHORNSTEIN
DRIVE TAV. 009	47	RTFOC00514	DISTANZ.INF/SUP SERR.FGC060/1	ENTRTOISE	SPACER	DISTANZSTÜCK
DRIVE TAV. 009	48	RTFOC00515	DISTANZ.CENT.SERR.FGC060/1	ENTRTOISE	SPACER	DISTANZSTÜCK

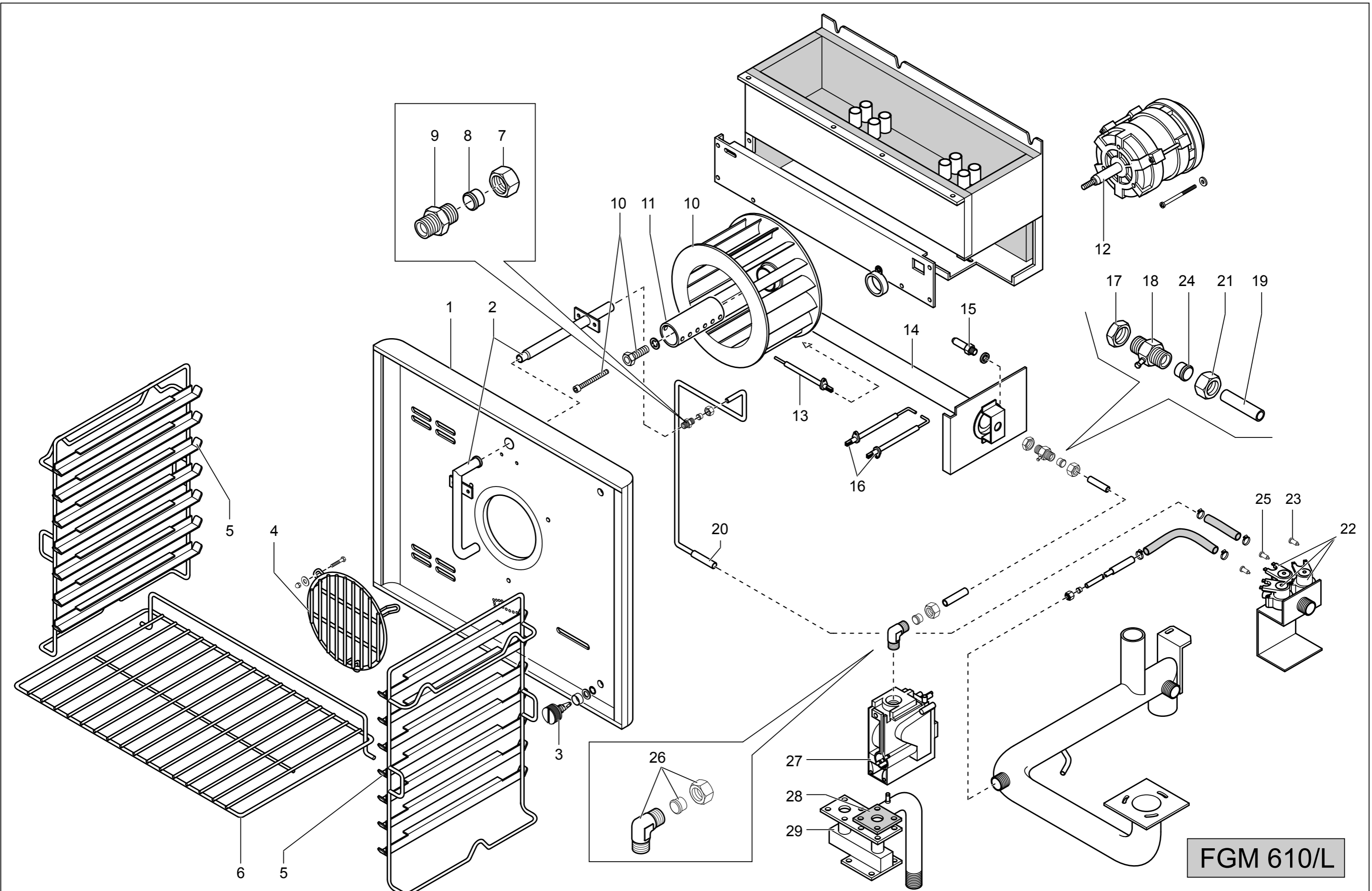


**DRIVE**

FGM 610

TAV. 013

TAVOLA	POS.	CODICE	ITALIANO	FRANCESE	INGLESE	TEDESCO
DRIVE TAV. 013	1	165055	BOILER	BOILER	BOILER	BOILER
DRIVE TAV. 013	2	RTFOC00213	GUARNIZIONE VALVOLA PESO	GARNITURE	GASKET	DICHTUNG
DRIVE TAV. 013	3	161660	MANOP.COND.FCV.TURCH.EKK25B	BOUTON	KNOB	DREHGRIF
DRIVE TAV. 013	4	RTFOC00186	DADO 3/4"ES.INOX FCVM	ECROU3/4"	NUT 3/4"	MUTTER 3/4"
DRIVE TAV. 013	5	RTFOC00265	FAST.CAN. ACCENSIONE	FASTON	FASTON	FASTON
DRIVE TAV. 013	6	165054	TU.AL.ACQ.BOILER	TUBE DE CHARGEMENT DE L'EAU	PIPE WATERINLET	ROHR WASSERZUFLUSS
DRIVE TAV. 013	7	RTFOC00520	E/VALVOLA FCV.3V. 209035	SOUPAPE 3 VIE	ELECTRIC VALVE 3 VIE	ELEKTROVENTIL 3 WEG
DRIVE TAV. 013	8	RTFOC00120	REGOLAT.E/VALV.FCV.ROSSO/0,25	REGULATEUR DE PORTÉE	FLOWREGULATOR	DURCHSTRÖMUNGSREGLER
DRIVE TAV. 013	9	RTFOC00510	TU.AL.ACQ.UMIDIF.FGC100/1	TUBE HUMIDIFICATEUR	PIPE HUMIDIFIER	ROHR BEFEUCHTER
DRIVE TAV. 013	10	RTFOC00266	FAST.CAN.RILEVAZIONE	FASTON	FASTON	FASTON
DRIVE TAV. 013	11	161508	TUBO GOMMA	TUBE EN CAOUTCHAUC	RUBBER PIPE	ROHR GUMMI
DRIVE TAV. 013	12	RTCU900013	CALOTTA D.10	ECROU	NUT	MUTTER
DRIVE TAV. 013	13	RTCU900012	BICONO D.10	BICONE POUR TUYAU Ø 10	BICONE Ø10	ZWEIKEGEL Ø10
DRIVE TAV. 013	14	PAFOC00250	CAND. RIL BRUC.BOILER	ELECTRODE DÉTECTION	SPARK PLUG	ZÜNDKERZE
DRIVE TAV. 013	15	164518	REGOLATORE LIV.BOY.F.HOBART	RÉGULATEUR	REGULATOR	REGLER
DRIVE TAV. 013	16	162282	SQ.FIS.CONTROLLO LIV.BOY.F.HOBART	EGUERRE	CREW	WINKEL
DRIVE TAV. 013	17	RTFOC00145	REGOLAT.E/VALV.FCV.BIANCO/1,2 99208	RÉGULATEUR	REGULATOR	REGLER
DRIVE TAV. 013	18	PAFOC00251	CAND.ACC.BRU.B.FGM109/95 15402	BOUGIE D'ALLUMAGE	PLUG SPARKE	ZÜNDKERZE
DRIVE TAV. 013	19	RTFOC00212	VALVOLA PESO	VALVE	VALVE	VENTIL
DRIVE TAV. 013	20	161212	RAMPA SC.COND.	RAMPE DU DÉCHARGEMENT CONDENSE	RAMP OUTLET COND.	DUNSTHAUBE
DRIVE TAV. 013	21	164729	T/COPPIA 6X100 K F.HOBART MBM00018	THERMOCOUPLE	THERMOELEMENT	THERMOELEMENT
DRIVE TAV. 013	22	RTCP800012	SUPPORTO INIET.1/2"BRUC.GBR	SUPPORTO INJECTEUR	SUPPORT INJECTOR 1/2"	HALTERUNG EINSPRITZER
DRIVE TAV. 013	23	RTCP800013	DADO 1/2"ES.27X7 OT.UNI5589	ECROU1/2"	NUT 1/2"	MUTTER 1/2"
DRIVE TAV. 013	24	VEDI MANUALE UGELLI				
DRIVE TAV. 013	25	GAFOC00108	AS.BRUC.BOILER FGM061	BRÛLEUR	BURNER	BRENNER
DRIVE TAV. 013	26	RTFOC00100	GUARNIZ.AS.RAMPA FGC060	GARNITURE RAMPE DU GAZ	GASKET RAMP GAS	DICHTUNG RAMPE GAS
DRIVE TAV. 013	27	RTFOC00350	AS.RAMPA FGM100 ZINC.	RAMPE DU GAZ	RAMP GAS	RAMPE GAS
DRIVE TAV. 013	28	RTFOC00577	CORPO V.FGM69 826011	VALVE GAS	VALVE GAS	VENTIL GAS
DRIVE TAV. 013	29	RTFOC00691	TU.AL.BRUC.BOILER	TUYAU	PIPE	ROHR
DRIVE TAV. 013	30	RTBF800140	GOMITO COMP.OT.D.14 01091421	RACCORD	FITTING	KNIESTÜCK
DRIVE TAV. 013	31	RTCU900013	CALOTTA D.10	ECROU D.10	NUT D.10	MUTTER D.10
DRIVE TAV. 013	32	RTCU900012	BICONO D.10	BICONE POUR TUYAU Ø 10	BICONE Ø10	ZWEIKEGEL Ø10
DRIVE TAV. 013	33	161521	TUBO ABBAT. VAPORE	TUYAU DÉTACHEMENT VAPEUR	PIPE STEAM	ROHR DAMPF
DRIVE TAV. 013	34	RTBF800137	BICONO D.14	BICONE	DOUBLE CONE	DOPPELKONUS
DRIVE TAV. 013	35	GAFOC00111	AS.CAMINO BOILER FGM101	CHEMINÉE BOILER	CHIMNEY BOILER	KAMIN BOILER
DRIVE TAV. 013	36	RTMIN00249	FASCETTA TU.MINUS D77X97 INOX	BANDE	CLAMP	SHELLE
DRIVE TAV. 013	37	RTFOC00216	TU.FLES.PRES.BIANCO/75 0106300	TUYAU	PIPE FLEXIBLE	ROHR FLEXIBEL
DRIVE TAV. 013	38	RTBF800015	CALOTTA D.14	ECROU D.14	NUT D.14	MUTTER D.14
DRIVE TAV. 013	39	RTBF800137	BICONO D.14	BICONE D.14	DOUBLE CONE D.14	DOPPELKONUS D.14
DRIVE TAV. 013	40	RTCP900089	CALOTTA OT.D.14	ECROU	NUT	MUTTER
DRIVE TAV. 013	41	165057	TU.SCARICO ACQ.BOY.	TUBE DE DECHARGE DE L'EAU	WATER DISCHARGE PIPE	WASSERABLASSROHR

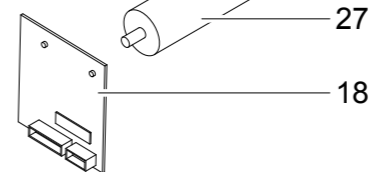
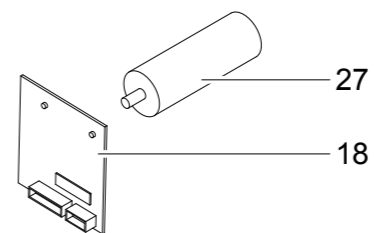
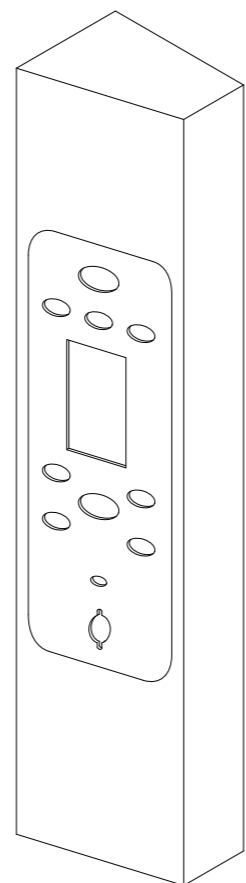
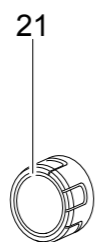
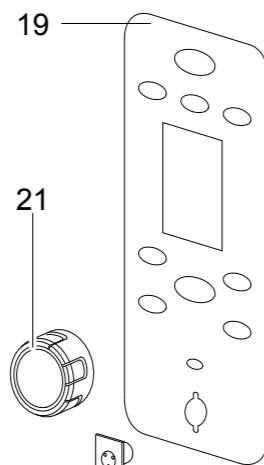
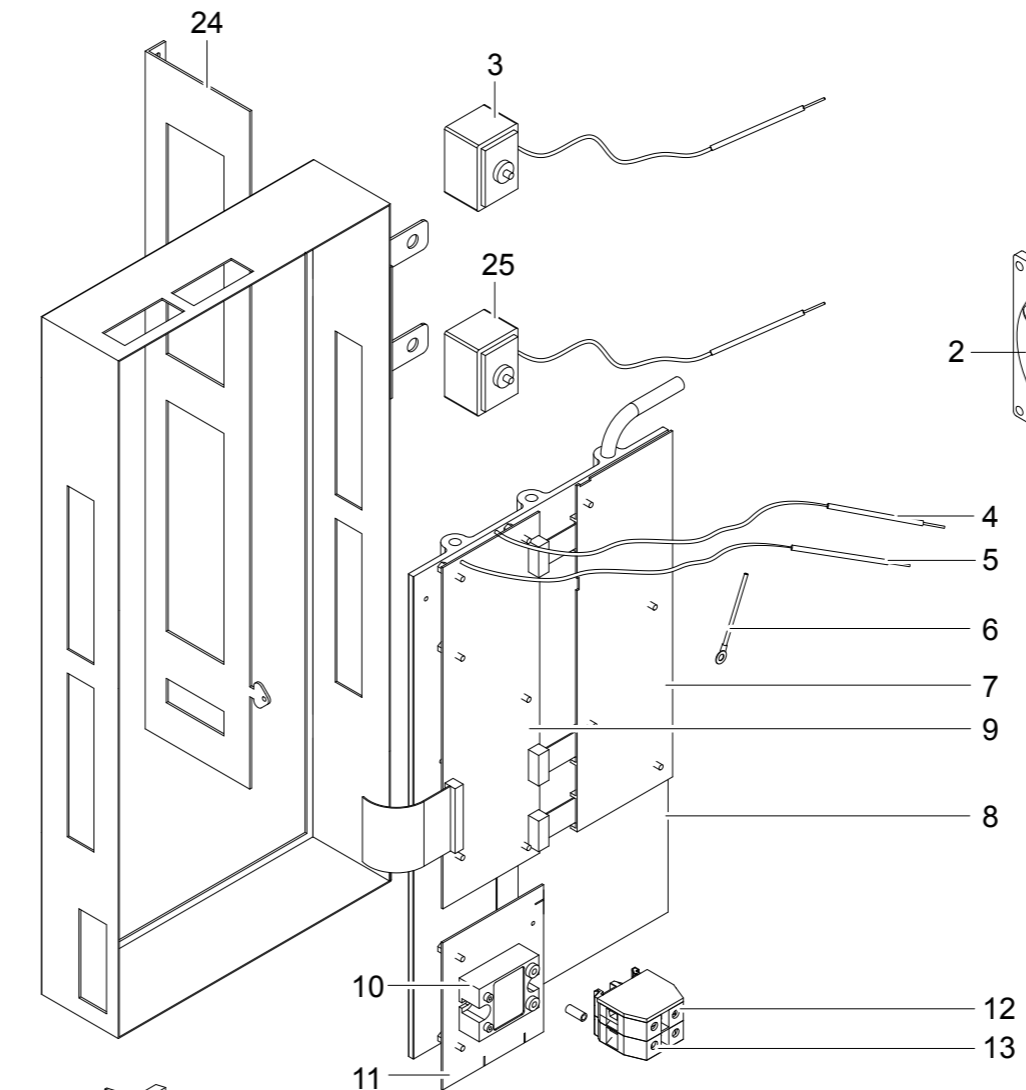
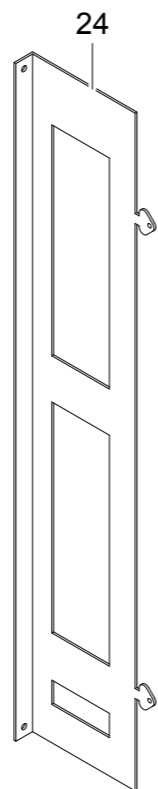
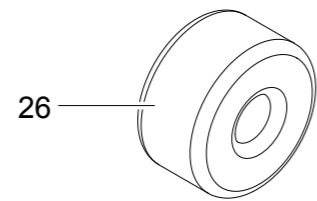
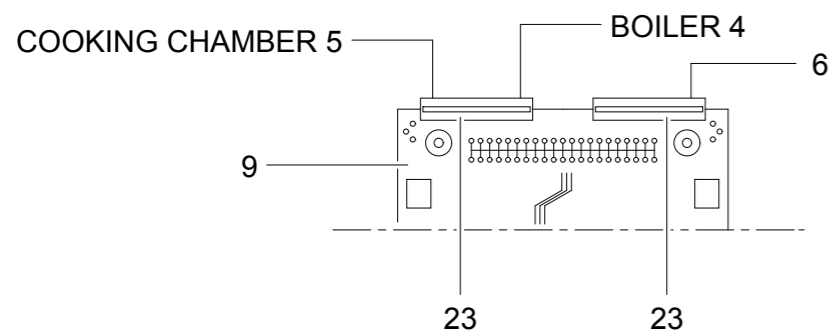


**DRIVE**

FGM 610/L

TAV. 012

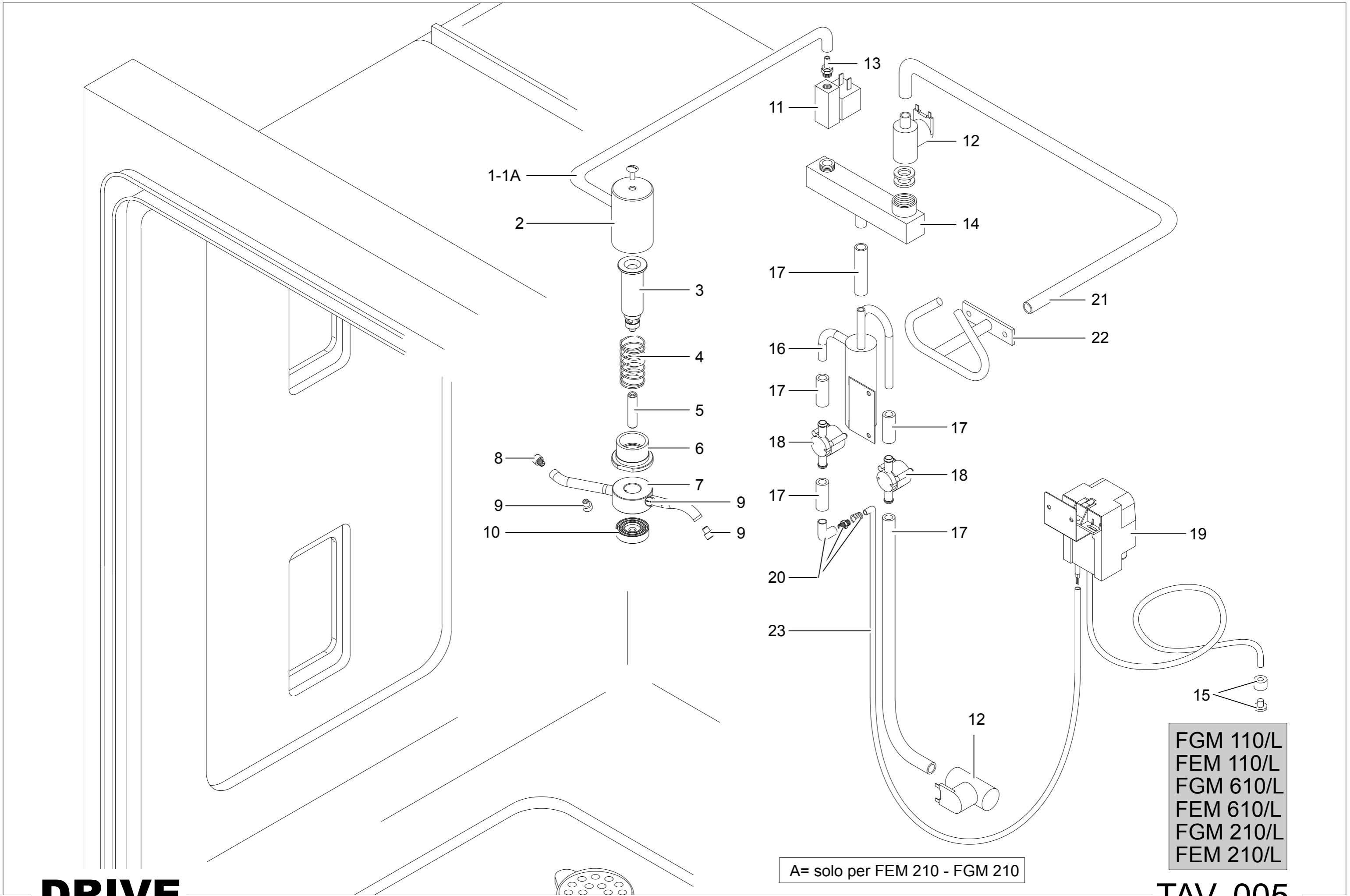
TAVOLA	POS.	CODICE	DESCRIZIONE	DESCRIPTION	DESCRIPTION	TITEL
DRIVE TAV. 006	1	PAFOC00549	CONV.ARIA	CONVOYEUR DE L'AIR	CHIMNEY	SCHORNSTEIN
DRIVE TAV. 006	2	RTFOC00487	TU.UMIDIFICATORE	HUMIDIFICATEUR	HUMIDIFIER	BEFEUCHTER
DRIVE TAV. 006	3	RTFOC00334	AT.RAPIDO	ATTAQUE RAPIDE	CONNECTION	SCHNELLANSCHLUSS
DRIVE TAV. 006	4	RTFOC00174	GRIGLIA PROT.VENT.	GRILLE DE PROTECTION	GRILL IMPELLER PROTECTION	SCHUTZGITTER SCHORNSTEIN
DRIVE TAV. 006	5	RTFOC00526	GRIGLIA LAT.	GRILLE LATÉRALE DROITE -GAUCHE	GRILL SIDERIGHT -LEFT	GRILL SEITERECHTS -LINKS
DRIVE TAV. 006	6	RTFOC00175	GRIGLIA FORNO GN 1/1	GRILLE DU FOUR GN 1/1	GRILL OVEN GN 1/1	GRILL HERD GN 1/1
DRIVE TAV. 006	7	RTFOC00020	CALOTTA UMIDIF.	ECROU	NUT	MUTTER
DRIVE TAV. 006	8	RTCU900018	BICONO D.6	BICONE POUR TUBE Ø 6	BICONE FOR PIPE Ø 6	ZWEIKEGEL Ø 6
DRIVE TAV. 006	9	RTFOC00557	INIET.UMIDIF.FCV D.1.5	INJECTEUR HUMIDIFICATEUR	INJECTOR HUMIDIFIER	EINSPRITZER BEFEUCHTER
DRIVE TAV. 006	10	161275	GIRANTE VENT.	MOBILE 50HZ	IMPELLER 50HZ	LAUFRAD 50HZ
DRIVE TAV. 006	11	RTFOC00437	NEBULIZZATORE	NÉBULISATEUR	DISTRIBUTOR	ZERSTÄUBER
DRIVE TAV. 006	12	RTFOC00696	MOTORE VENT.FCE6 2 POLI 1075A2250	MOTEUR	MOTOR	MOTOR
DRIVE TAV. 006	13	PAFOC00249	CAND.RIL.BRU.	ELECTRODE DÉTECTION	FLAMEDETECTOR	FLAMMendetektor
DRIVE TAV. 006	14	GAFOC00064	AS.BRUC.FGC100	BRÛLEUR	BURNER	BRENNER
DRIVE TAV. 006	15	VEDI MANUALE UGELLI				
DRIVE TAV. 006	16	PAFOC00252	CAND.ACC.BRU.	CANDEL.ACC. FIAMMA	CANDEL.ACC. FIAMMA	FLAMMENKERZE
DRIVE TAV. 006	17	RTCP800013	DADO 1/2"ES.27X7 OT.UNI5589	ECROU1/2"	NUT 1/2"	MUTTER 1/2"
DRIVE TAV. 006	18	RTCP800012	SUPPORTO INIET.1/2"BRUC.GBR	SUPPORTO INJECTEUR	SUPPORT INJECTOR 1/2"	HALTERUNG EINSPRITZER
DRIVE TAV. 006	19	RTFOC00690	TU.AL.BRUC.	TUBE DE DISTRIBUTION BRÛLEUR	BURNER DISTRIBUTION PIPE	BRENNERVERSORGUNGSRÖHR
DRIVE TAV. 006	20	RTFOC00510	TU.AL.ACQ.UMIDIF.	TUBE HUMIDIFICATEUR	PIPE HUMIDIFIER	ROHR BEFEUCHTER
DRIVE TAV. 006	21	RTBF800015	CALOTTA D.14	ECROU D.14	NUT D.14	MUTTER D.14
DRIVE TAV. 006	22	RTFOC00520	ELETTROVALVOLA	SOUPAPE	ELECTRIC VALVE	ELEKTROVENTIL
DRIVE TAV. 006	23	RTFOC00145	REGOLAT.E/VALV.FCV.BIANCO/1,2 99208	REGULATEUR DE PORTÉE	FLOW REGULATOR	DURCHFLUSSREGLER
DRIVE TAV. 006	24	RTBF800137	BICONO D.14	BICONE D.14	DOUBLE CONE D.14	DOPPELKONUS D.14
DRIVE TAV. 006	25	RTFOC00120	REGOLAT.E/VALV.FCV.ROSSO/0,25 99206	REGULATEUR DE PORTÉE	FLOW REGULATOR	DURCHFLUSSREGLER
DRIVE TAV. 006	26	RTBF800140	GOMITO COMP.OT.D.14 01091421	COURBE	ELBOW	KNIESTÜCK
DRIVE TAV. 006	27	RTFOC00577	CORPO V.FGM69 826011	VALVE GAS	VALVE GAS	VENTIL GAS
DRIVE TAV. 006	28	RTFOC00100	GUARNIZ.AS.RAMPA FGC060	GARNITURE RAMPE DU GAZ	GASKET RAMP GAS	DICHTUNG RAMPE GAS
DRIVE TAV. 006	29	RTFOC00350	AS.RAMPA FGM100 ZINC.	RAMPE DU GAZ	RAMP GAS	RAMPE GAS



FGM 610/L  
 FGM 110/L  
 FGM 210/L

Tavola	POS.	Codice	DESCRIZIONE	DESCRIPTION	DESCRIPTION	TITEL
DRIVE TAV. 008	1	GAFOC00118	AS.CONV.CALORE FEM109	CONVOYER CHALEUR	HEAT CONVEYOR	WARMEVENTILATOR
DRIVE TAV. 008	2	RTFOC00254	VENT.CALORE FEM109	VENTILATEUR CHALEUR	HEATFAN	WARMEVENTILATOR
DRIVE TAV. 008	3	RTFOC00483	T.L.FCV/1T350 5510562800	THERMOSTAT LIMIT	LIMIT THERMOSTAT	THERMOSTAT LIMIT
DRIVE TAV. 008	4	164484	T/COPPIA 6X100 K F.HOBART MBM00018	THERMOCOUPLE	THERMOCOUPLE	THERMOELEMENT
DRIVE TAV. 008	5	164729	T/COPPIA 52 K F.HOBART MBM00017	THERMOCOUPLE	THERMOCOUPLE	THERMOELEMENT
DRIVE TAV. 008	6	164730	T/COPPIA AD OCCHIELLO	THERMOCOUPLE	THERMOCOUPLE	THERMOELEMENT
DRIVE TAV. 008	7	164823	SCHEDA POTENZA	CARTE DE PUISSANCE	POWER SCHEME	SCHALTPLAN POTENZ
DRIVE TAV. 008	8	1235150	RADIATORE	RADIATEUR	RADIATOR	HEIZKÖRPER
DRIVE TAV. 008	9	164491	SCHEDA CPU	SCHEDA	SCHEME	SCHALTPLAN
DRIVE TAV. 008	10	RIC0003591	RELAIS STATICO	RELAIS	RELAY	RELAIS
DRIVE TAV. 008	11	164826	SCHEDA MOTORE	SCHEDA	SCHEME	SCHALTPLAN
DRIVE TAV. 008	12	RIC0003594	MORSETTIERA NEUTRO	CONNECTION DES CABLES	TERMINAL BOARD	KLEMMBRETT
DRIVE TAV. 008	13	RIC0003595	MORSETTIERA	CONNECTION DES CABLES	TERMINAL BOARD	KLEMMBRETT
DRIVE TAV. 008	14	RIC0003606	MAGNETO TERMICO	INTERRUPTEUR MAGNETIQUE	SWITCH	SCHALTER
DRIVE TAV. 008	15	RIC0003609	FUSIBILE 10A RITARDATO	FUSIBLE 10A	FUSIBLE 10A	SICHERUNG 10A
DRIVE TAV. 008	16	164793	SCHEDA EL.COMANDI DGT.FEM110	CARTE DE COMMANDE	ELECTRIC SCHEME	SCHALTPLAN
DRIVE TAV. 008	17	164825	SCHEDA EL.ENCODER F.FEM110	SCHEDA	SCHEME	SCHALTPLAN
DRIVE TAV. 008	18	164493	SCHEDA INVERSIONE ROTAZIONE MOTORE	SCHEDA	SCHEME	SCHALTPLAN
DRIVE TAV. 008	19	165056	MASCHER.CRUS.FEM610	MASQUE TABLEAU	COVER DASH BOARD	ABDECKUNGSTIRNBRETT
DRIVE TAV. 008	20	164502	CONNETTORE SONDA F.HOBART MBM00021	CONNECTEUR	CONNECTOR	VERBINDUNG
DRIVE TAV. 008	21	164794	MANOP.COM.F.SERIE DRIVE	BOUTON	KNOB	GRIFF
DRIVE TAV. 008	22	164501	SONDA C/DIAM 4X100 K MBM00019	SONDE	PROBE	SONDE
DRIVE TAV. 008	23	RIC0003599	CONNETTORE 8 PIN	CONNECTEUR	CONNECTOR	VERBINDUNG
DRIVE TAV. 008	24	166012	SUPPORTI	SUPPORT	SUPPORT	HALTERUNG
DRIVE TAV. 008	25	RTBF800076	T.L.BOILER T360	THERMOSTAT LIMIT	LIMIT THERMOSTAT	THERMOSTAT LIMIT
DRIVE TAV. 008	26	164498	TRASF.ROT.165VA+ROND.F.HOBART TT01228A	TRANSFORMATEUR	TRASFORMATOR	TRASFORMATOR
DRIVE TAV. 008	27	RTFOC00256	CONDENSATORE FCEM CRU26231943 0,12 MIC.	CONDENSATEUR	CONDENSATOR	KONDENSATOR





**DRIVE**

A= solo per FEM 210 - FGM 210

FGM 110/L  
 FEM 110/L  
 FGM 610/L  
 FEM 610/L  
 FGM 210/L  
 FEM 210/L

**TAV. 005**

TAVOLA	POS.	CODICE	ITALIANO	FRANCESE	INGLESE	TEDESCO
DRIVE TAV. 005	1	165283	TU.AL.ROTORE LAV. F. (FEM110-FGM110-FEM610-FGM610)	TUYAU LAVAGE (FEM110-FGM110-FEM610-FGM610)	WASH ARM SUPPLY PIPE	ZULEITUNG WASCHARM
DRIVE TAV. 005	1A	165738	TU.AL.ROTORE LAV. F. (FEM210 - FGM210)	TUYAU LAVAGE (FEM210 - FGM210)	WASH ARM SUPPLY PIPE	ZULEITUNG WASCHARM
DRIVE TAV. 005	2	165113	CALOTTA ROTORE LAV.F.	CORPS DE TOURNIQUET	ROTOR COVER	HALTER WASCHARM
DRIVE TAV. 005	3	165111	ASSE ROTORE LAV.F.	AXE DU TOURNIQUET	WASHING DRIVE SHAFT	ACHSE
DRIVE TAV. 005	4	165116	MOLLA ROTORE LAV.F.	RESSORT TOURNIQUET	SPRING ROTOR	FEDER
DRIVE TAV. 005	5	165110	PERNO OTT.ROTORE LAV.F.	OBTURATEUR TOURNIQUET	ROTOR OBTURATOR	BOLZEN
DRIVE TAV. 005	6	165115	BOCCOLA FIS.ASSE ROTORE LAV.F.	PALIER TOURNIQUET	BUSHING FIXING ROTOR	BUCHSE
DRIVE TAV. 005	7	165538	GRUPPO SUP.BRACCI LAVAGGIO	TOURNIQUET	WASH ARM	HAUPTTEIL WASCHARM
DRIVE TAV. 005	8	165281	UGELLO LAVAGGIO D1.5 F.HOBART	BUSE SPECIALE EXTREMITE	WASH INJECTOR DIAMETER 1,5 mm	DUSE
DRIVE TAV. 005	9	165279	UGELLO LAVAGGIO F.HOBART 140019	BUSE	WASH INJECTOR	DUSE
DRIVE TAV. 005	10	165112	GHIERA BLOCCAGGIO ROTORE LAV.	ECROU DU TOURNIQUET	RING NUT ROTOR	ABDECKSCHRAUBE
DRIVE TAV. 005	11	165596	E/VALV.N-A F.DRIVE+BOBINA RD263DVH+7701	ELECTROVANNE	ELECTRIC VALVE	MAGNETVENTIL
DRIVE TAV. 005	12	RTFOC00022	E/VALVOLA FCV.1V.207038	ELECTROVANNE	ELECTRIC VALVE	MAGNETVENTIL
DRIVE TAV. 005	13	RTFOC00626	RACCORDO PORTAGOMMA	TETINE	UNION RUBBER	ANSCHLUßSHTCK
DRIVE TAV. 005	14	165633	COLLETTORE LAV.F.DRIVE	NOURRICE EV LAVAGE	WASHING COLLECTOR	VERTEILER
DRIVE TAV. 005	15	165597	FILTRO DI FONDO LAV.FORNO 9900106162	EMBOUT FILTRE PRISE DETERGENT	FILTER	ANSAUGFILTER
DRIVE TAV. 005	16	165282	SERBATOIO LAVAGGIO	BOITE DE RUPTURE	WATER SOAP SEPARATOR TANK	BEHALTER
DRIVE TAV. 005	17	165791	TUBO GOMMA/D.10X17 10ATM.EUROC	TUYAU SOUPLE 10Bars 10X17	RUBBER PIPE	SCHLAUCH
DRIVE TAV. 005	18	165048	E/VALV.DI RITEGNO	CLAPET ANTI RETOUR	NON RETURN VALVE	MAGNETVENTIL
DRIVE TAV. 005	19	165280	DOSATORE PERISTATICO	POMPE DE DOSAGE	DETERGENT PUMP	DOSIERGERAT
DRIVE TAV. 005	20	165290	RACCORDO DOSAGGIO DET.LAV.F.9900107047	RACCORD POMPE DE DOSAGE	DOSAGE CONNECTION	ANSCHLUßWINKEL
DRIVE TAV. 005	21	165503	TU.INT.LAVAGGIO F.FGM610	TUBE LAVAGE ARRIERE F.FGM610	PIPE	ANSCHLUßLEITUNG
DRIVE TAV. 005	22	165665	EROGATORE ACQ.LAV.INT.F.FGM610	BUSE LAVAGE ARRIERE	DISTRIBUTING WATER	WASSERVERTEILER
DRIVE TAV. 005	23	165285	TU.PESCAGGIO DET.LAV.	TUYAU PRISE DETERGENT	DETERGENT PIPE	SCHLAUCLE DOSIERGERAT