

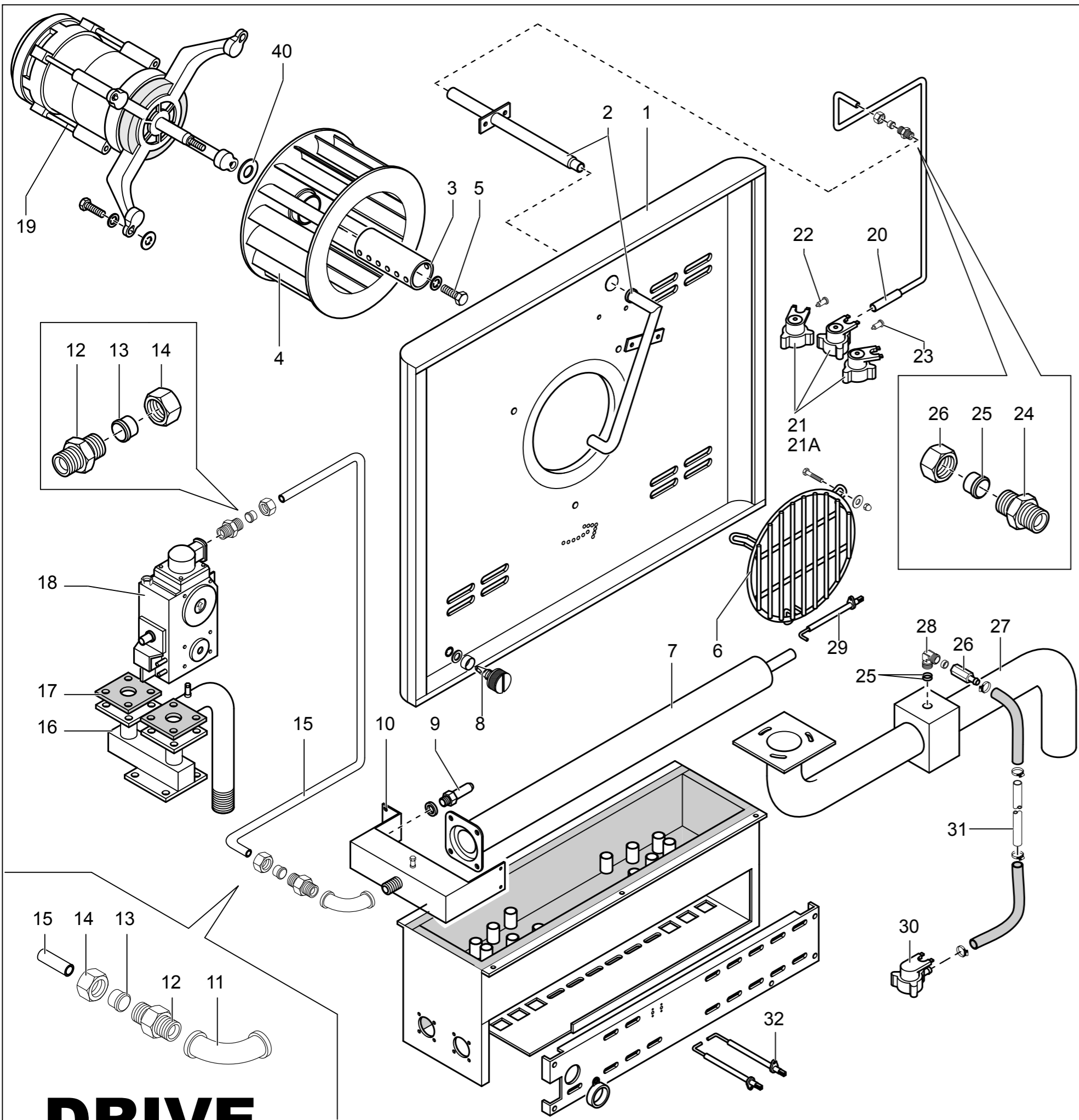
DRIVE

A= solo per FGM 210

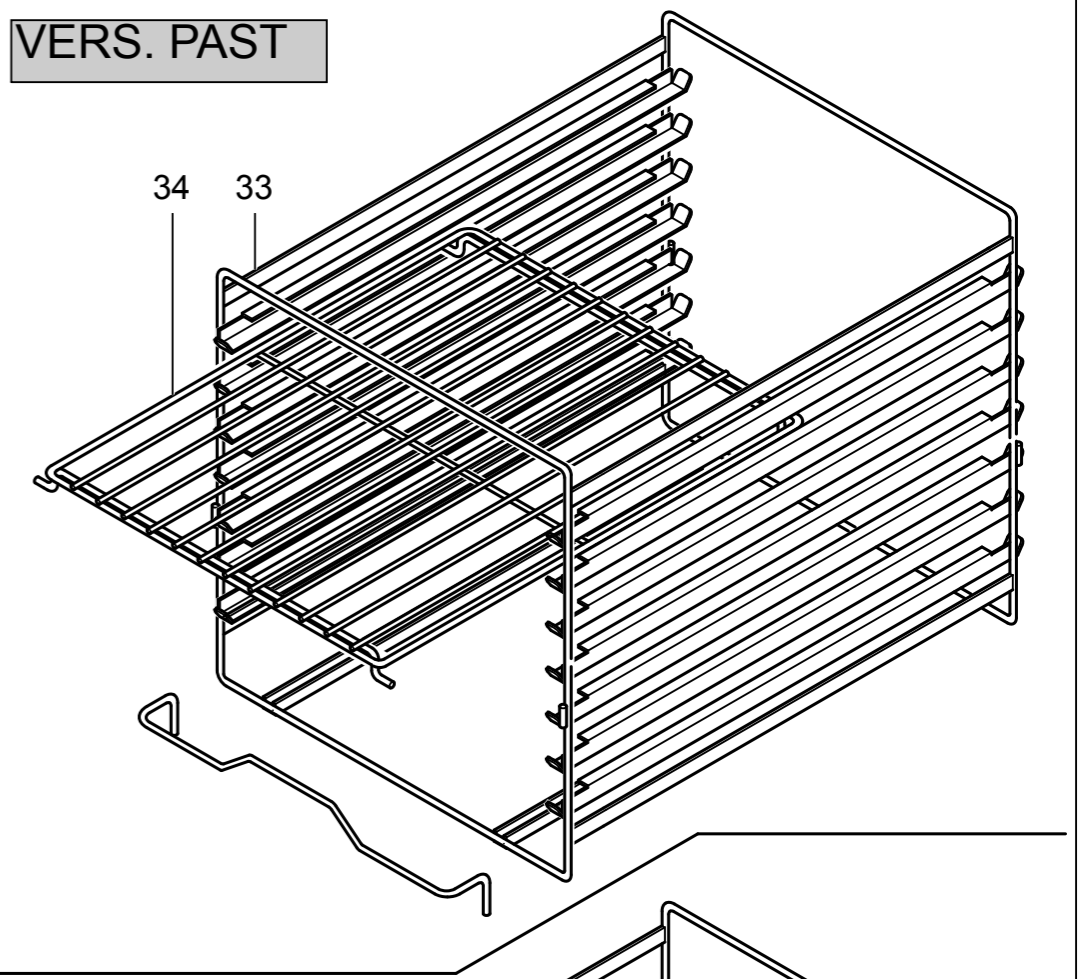
FGM 210/L
FEM 210/L

TAV. 014

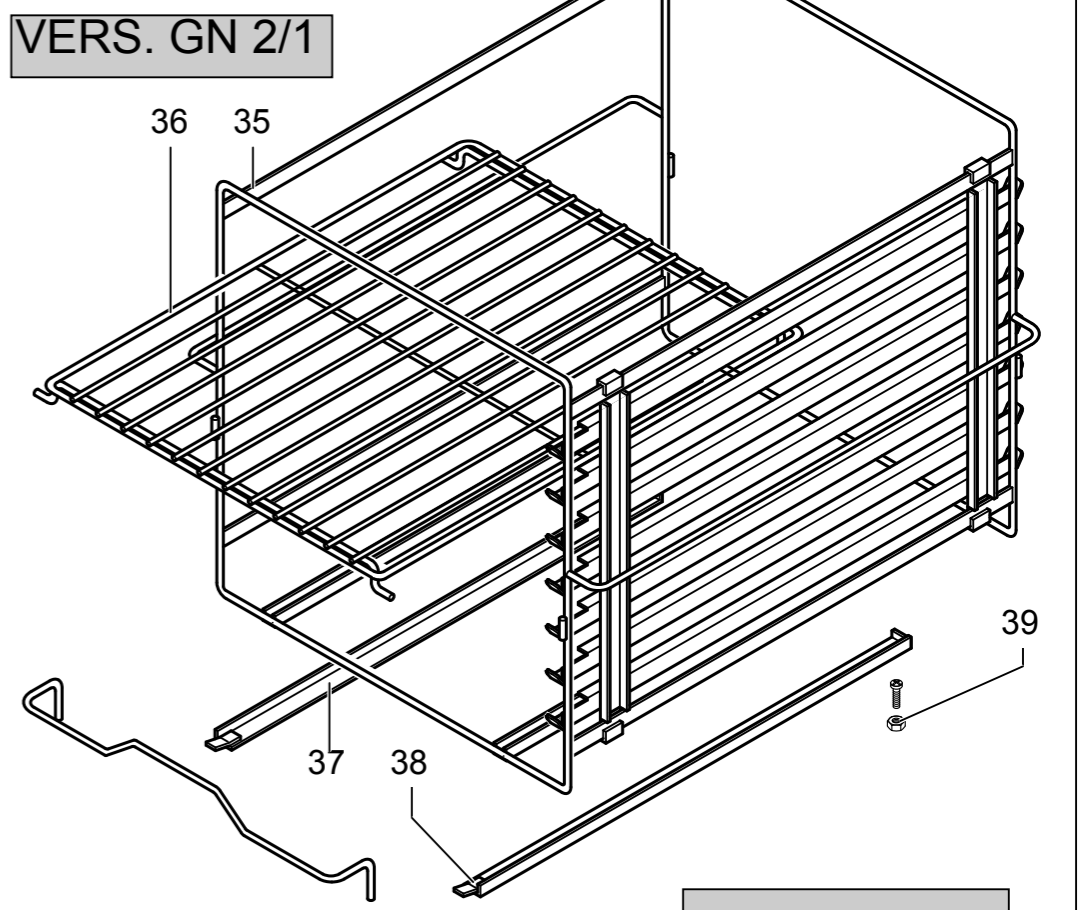
TAVOLA	POS.	CODICE	DESCRIZIONE	DESCRIPTION	DESCRIPTION	TITEL
DRIVE TAV. 014	1	GAFOC00030	AS.CERN.SUP.SX P.F.	CHARNIÈRE SUPÉRIEURE GAUCHE	INGE PIN SUPER.LEFT	TÜRANGEL OBEN LINKS
DRIVE TAV. 014	1-1	GAFOC00213	AS.CERN.SUP.DX P.F.	CHARNIÈRE SUPÉRIEURE DROITE	INGE PIN SUP. RIGHT	TÜRANGEL RECHTS
DRIVE TAV. 014	2	161170	GR. VETRO INT. SX/DX	C/PORTE DU FOUR GAUCHE	C/OVEN DOOR LEFT	C/OFENTÜR LINKS
DRIVE TAV. 014	3	161164	AS.PORTA FORNO.SX	PORTE DU FOUR GAUCHE	OVEN DOOR LEFT	OFENTÜR LINKS
DRIVE TAV. 014	3-1	161648	AS.PORTA FORNO.DX	PORTE DU FOUR DROITE	OVEN DOOR RIGHT	OFENTÜR RECHTS
DRIVE TAV. 014	4	161172	VETRO ESTERNO SX/DX	VERRE EXTER GAUCHE/DROITE	EXTERNAL GASKET LEFT/RIGHT	EXTERNER GLAS RECHTS/LINKE
DRIVE TAV. 014	5	RTFOC00553	ASTA SCARICO CONDENSA	BARRE ANTERIEUR	ROD ANTERIOUR	STAB VORNE
DRIVE TAV. 014	6	162103	CERN.INF.P.F.SX	CHARNIÈRE INFÉRIEUR GAUCHE PORTE DU FOUR	INGE PIN INFER.LEFT	TÜRANGEL UNTENLINKS
DRIVE TAV. 014	6-1	PAFOC00583	CERN.INF.P.F.DX	CHARNIÈRE INFÉRIEUR DROITE PORTE DU FOUR	INGE PIN INF. RIGHT	TÜRANGEL INF. RECHTS
DRIVE TAV. 014	7	160912	MANIGLIA	POIGNÉE	HANDLE	HANDGRIFF
DRIVE TAV. 014	8	RTFOC00338	ANELLO EST.MAN.P.F.	ANNEAU EXT. POIGNÉE PORTE DU FOUR	OUTWARD RING OVEN DOOR HANDLE	HANDGRIFF
DRIVE TAV. 014	9	160911	BASETTA MANIGLIA	EPAISSEUR POIGNÉE	HANDLE	HANDGRIFF
DRIVE TAV. 014	10	RTFOC00337	ANELLO INT.GRADINO MAN.P.F.	ANNEAU INTERIEUR EPAISSEUR	INNER RING	INNENRING
DRIVE TAV. 014	11	161599	AS. CASSETTO SX INT. P.F.	GROUPE BASSIN GAUCHE	UNIT DRAWER LEFT	GRUPPE SCHUBLADE LINKE
DRIVE TAV. 014	11-1	161673	AS. CASSETTO DX INT. P.F.	GROUPE BASSIN DROITE	UNIT DRAWER RIGHT	GRUPPE SCHUBLADE RECHTS
DRIVE TAV. 014	12	161129	AS.CASSETTO SX	BASSIN GAUCHE	TRAY LEFT	SCHUBLADE LINKS
DRIVE TAV. 014	12-1	161676	AS.CASSETTO DX	BASSIN DROITE	TRAY RIGHT	SCHUBLADE RECHTS
DRIVE TAV. 014	13	165086	AS.CRUSCOTTO	PANNEAU DE CONTRÔLE	CONTROL PANEL	STIRNBRETT
DRIVE TAV. 014	14	RTFOC00556	PIEDINO+T.OTTAG.FGC065/87,5	PIED	FOOT	FUSS
DRIVE TAV. 014	15	PAFOC00284	FIANCO	CÔTÉ	SIDE	SEITE
DRIVE TAV. 014	16	GAFOC00119	AS.CONV.CALORE	CONVOYER CHALEUR	HEAT CONVEYOR	WÄRMEFÖRDERER
DRIVE TAV. 014	17	RTFOC00254	VENTOLA CALORE	VENTILATEUR CHALEUR	HEATFAN	WÄRMEVENTILATOR
DRIVE TAV. 014	18	PAFOC00283	POSTERIORE INOX	PANNEAU POSTERIEUR	BACK PANEL	HINTEN
DRIVE TAV. 014	19	GAFOC00143	AS.COPERCHIO FEM200	COUVERCLE EXT.	COVER EXT.	ABDECKUNG
DRIVE TAV. 014	19A	GAFOC00145	AS.COPERCHIO FGM200	COUVERCLE EXT.	COVER EXT.	ABDECKUNG
DRIVE TAV. 014	20	161502	AS. GHIERA BLOCCO VETRO	GROUPE BAGUE BLOCAGE VERRE	UNIT LUCKING GLASS NUT	GRUPPE GEFESTIGUNGSMUTTER GLAS
DRIVE TAV. 014	21	164818	PAN.EST.FEC200/2	PANNEAU EXTÉRIEUR	EXTERNAL PANEL	ÄUSSERE TAFEL
DRIVE TAV. 014	22A	AFC0000051	CAMINO ANTIVENTO	CHEMINÉE ANTIVENT	CHIMNEY	KAMIN WINDSCHUTZ
DRIVE TAV. 014	23A	RTFOC00324	CAMINO SUPERIORE	CHEMINÉ	CHIMNEY	KAMIN
DRIVE TAV. 014	24	RTFOC00009	GANCIO	CROCHET	HOOK	HAKEN
DRIVE TAV. 014	25	RTFOC00005	ZOCCOLO ESTERNO	GODET EXTÉRIEUR	OUTWARD BASE	SOCKEL AUSSEN
DRIVE TAV. 014	26	GAFOC00051	SERRATURA	SERRURE	LOCK	SCHLOSS
DRIVE TAV. 014	27	RTFOC00057	ZOCCOLO CENTRALE	GODET CENTRAL	CENTRAL BASE	SOCKEL ZENTRAL
DRIVE TAV. 014	28	GAFOC00027	AS.C/FORO CASS.	COUVRE TROU	PLUG	LOCHABDECKUNGSPFROPFEN
DRIVE TAV. 014	29	RTFOC00035	MICROINT.FCV.	MICRO-INTERRUPTEUR PORTE DU FOUR	MICRO OVEN DOOR	MIKRO OFENTÜR
DRIVE TAV. 014	30	RTFOC00382	*CORNICE FIS.VETRO P/LAMP.	CADRE DU PORTELAMPE	MOULDING P/LAMP	UMRAHMUNG P/LAMPE
DRIVE TAV. 014	31	161283	GUARNIZIONE P/LAMPADA	GARNITURE DU PORTELAMPE	GASKET P/LAMP	DICHTUNG P/LAMPE
DRIVE TAV. 014	32	RTFOC00201	*VETRO P/LAMPADA	VERRE DU PORTELAMPE	GLASS P/LAMP	GLAS P/LAMPE
DRIVE TAV. 014	33	161281	PORTA LAMPADA	PORTELAMPE	DOOR LAMP	PORTA LAMPE
DRIVE TAV. 014	34	161282	LAMPADA	LAMPE	LAMP	LAMPE
DRIVE TAV. 014	35	161513	MOLLA FERMO GHIERA	RESSORT DE LA SERRURE DU VIROLE	FERRULE LOCK SPRING	FEDER DES MUTTER-SCHLOSSES
DRIVE TAV. 014	36	RTMIN00114	DADO CECO M6	ECROU	NUT	MUTTER
DRIVE TAV. 014	37	161166	AS. PROTEZIONE SERRATURA SX	GROUPE PROTECTION SERRURE GAUCHE	UNIT LEFT LOCK PROTECTION	GRUPPE SHUTZSCHLOSS LINKE
DRIVE TAV. 014	37-1	161581	AS. PROTEZIONE SERRATURA DX	GROUPE PROTECTION SERRURE DROITE	UNIT RIGHT LOCK PROTECTION	GRUPPE SHUTZSCHLOSS RECHTZ
DRIVE TAV. 014	38	161411	GUARNIZIONE CRUSCOTTO	GARNITURE PANNEAU DE CONTRÔLE	CONTROL PANEL GASKET	DICHTUNGSTIRNBRETT
DRIVE TAV. 014	39	RTFOC00722	GUARNIZIONE FACCIATA	GARNITURE DEVANTURE	GASKET FACE	DICHTUNG OFENVORDERWAND
DRIVE TAV. 014	40	PAFOC00680	DISCO INF.SCARICO COND.	DISQUE INFÉRIEUR DÉCHARGÉ	DISC INFER. OUTLET	SCHEIBE UNTEN AUSGANG
DRIVE TAV. 014	41	161477	DISTANZIALE GOMMINO P.F.	BOUCHON DE LA PORTE	DOOR RUBBER CAP	TÜRGUMMI
DRIVE TAV. 014	42	RTFOC00197	MOTORIDUTTORE	MOTEUR-REDUCTEUR	MOTOR-REDUCTION	MOTO UNTERSETZUNGSGETRIEBE
DRIVE TAV. 014	43	RTFOC00192	ALBERO SCARICO	ARBRE	SHAFT	WELLE
DRIVE TAV. 014	44	RTFOC00198	MICROINTERRUTTORE	MICRO-INTERRUPTEUR	MICRO	MIKRO
DRIVE TAV. 014	45	161122	AS.CASS.FORNO	OVEN BODY	CAISSON DU FOUR	OFEN
DRIVE TAV. 014	46	PAFOC00329	DISCO SCARICO CONDENSA	DISQUE SCARICO CONDENSÉ	DISK OUTLET	SCHEIBE AUSGANG
DRIVE TAV. 014	47	RTFOC00514	DISTANZ.INF/SUP SERR.FGC060/1	ENTRTOISE	SPACER	DISTANZSTÜCK
DRIVE TAV. 014	48	RTFOC00515	DISTANZ.CENT.SERR.FGC060/1	ENTRTOISE	SPACER	DISTANZSTÜCK



VERS. PAST



VERS. GN 2/1

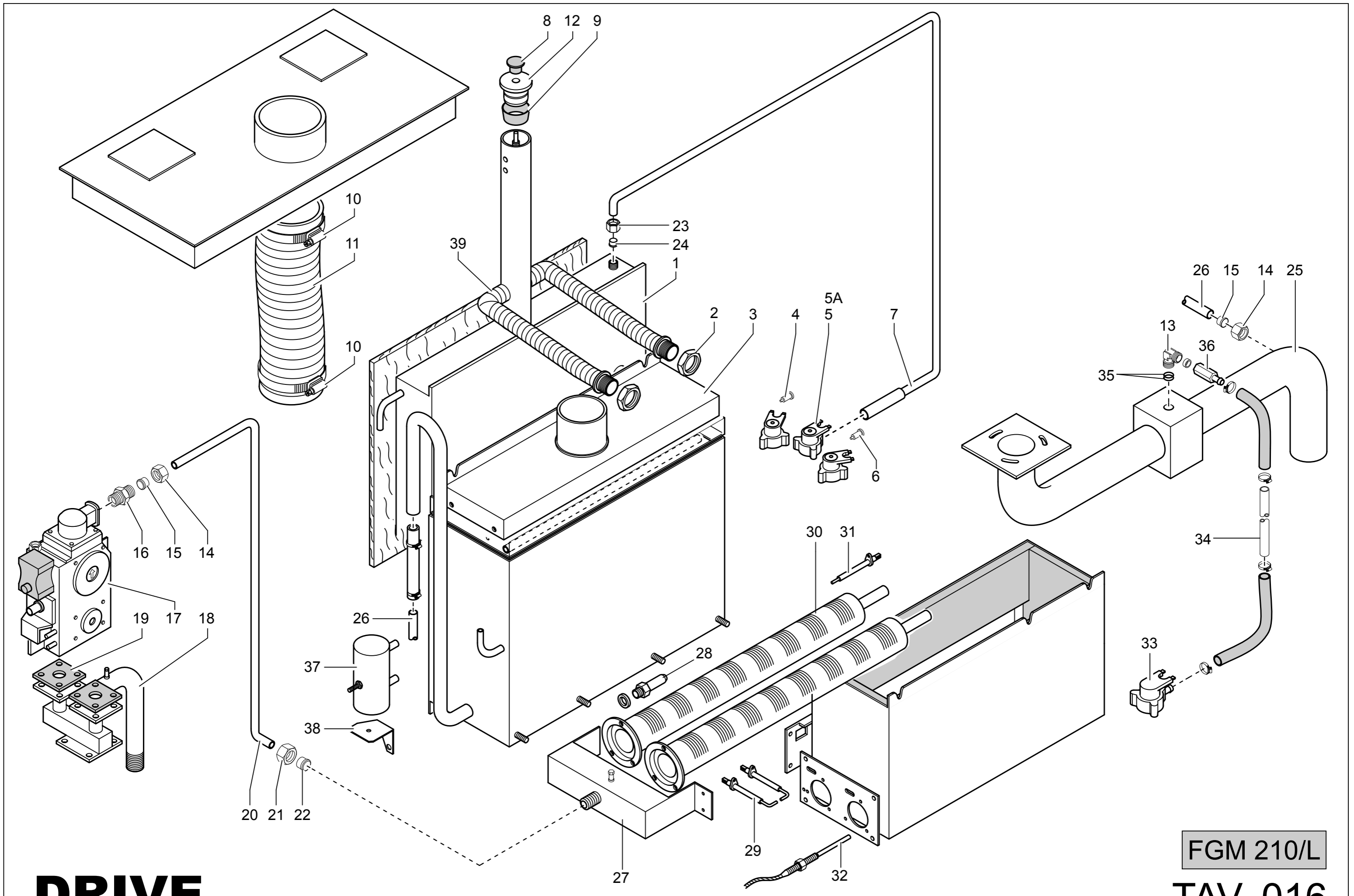


DRIVE

FGM 210/L

TAV. 015

TAVOLA	POS.	CODICE	ITALIANO	FRANCESE	INGLESE	TEDESCO
DRIVE TAV. 015	1	PAFOC00342	CONV.ARIA FGC200	CONVOYEUR AIR	AIR CONVEYOR	LUFTFÖRDERER
DRIVE TAV. 015	2	RTFOC00313	TU.UMIDIFICATORE FEC200	HUMIDIFICATEUR	HUMIDIFIER	BEFEUCHTER
DRIVE TAV. 015	3	160671	NEBULIZZATORE FGC200	NÉBULISATEUR	DISTRIBUTOR	ZERSTÄUBER
DRIVE TAV. 015	4	161987	GIRANTE VENT.FEC200 D.350	MOBILE 50HZ	IMPELLER 50HZ	LAUFRAD 50HZ
DRIVE TAV. 015	5	161682	V.FIS.GIRANTE FCV.M8X31,5/SX	VITE FISSAGGIO GIRANTE	FIXINGSCREW IMPELLER	BEFESATIGUNGSSCHRAUBE LAUFRAD
DRIVE TAV. 015	6	RTFOC00323	GRIGLIA PROT.VENT.FCV20G.INOX	GRILLE DE PROTECTION	GRILL IMPELLER PROTECTION	SCHUTZGITTERSCHORNSTEIN
DRIVE TAV. 015	7	RTFOC00332	BRUC.FGC200 103189310	BRÛLEUR CHAMBRE DE COMBUSTION	BURNER CHAMBER	BRENNER KAMMER
DRIVE TAV. 015	8	RTFOC00334	AT.RAPIDO K1610/TA16/C16X	ATTAQUE RAPIDE	CONNECTION	SCHNELLANSCHLUSS
DRIVE TAV. 015	9	VEDI MANUALE UGELLI				
DRIVE TAV. 015	10	RTFOC00326	AS.SUP.INIET.F.FGC200 ZINC.	SUPPORT INJECTEUR	SUPPORT INJECTOR	HALTERUNG EINSPRITZER
DRIVE TAV. 015	11	RTCP900034	GOMITO FE.MF.1/2"ZINC.	COURBE M-FG 1/2"	ELBOW M-FG 1/2"	KNIESTÜCK 1/2"
DRIVE TAV. 015	12	RTCP900087	NIPLES CP OT/M/1/2"XM20/D.14	NIPLES 1/2" X M20	NIPLES 1/2" X M20	NIPPEL 1/2" X M20
DRIVE TAV. 015	13	RTCP900088	BICONO D.14 CP	BICONE	DOUBLE CONE	DOPPELKONUS
DRIVE TAV. 015	14	RTCP900089	CALOTTA OT.D.14 CP	ECROU	NUT	MUTTER
DRIVE TAV. 015	15	RTFOC00331	TU.AL.BRUC.FGC200	TUYAU D'ALIMENTATION DU BRÛLEUR	BURNER CHAMBER PIPE	ROHR KAMMER
DRIVE TAV. 015	16	RTFOC00350	AS.RAMPA FGM100 ZINC.	RAMPE DU GAZ	RAMP GAS	RAMPE GAS
DRIVE TAV. 015	17	RTFOC00100	GUARNIZ.AS.RAMPA FGC060	JOINT RAMPE DU GAZ	GASKET RAMP GAS	DICHTUNG RAMPE GAS
DRIVE TAV. 015	18	RTFOC00258	CORPO V.FGM69/0822112	SOUPAPE	VALVE	GASVENTIL
DRIVE TAV. 015	19	165077	MOTORE VENT.FEC100 M8035E31761	MOTEUR	MOTOR	MOTOR
DRIVE TAV. 015	20	RTFOC00310	TU.AL.ACQ.UMIDIF.FEC200	TUBE HUMIDIFICATEUR	PIPE HUMIDIFIER	ROHR BEFEUCHTER
DRIVE TAV. 015	21	RTFOC00203	ELETTROVALVOLA 2V	SOUPAPE	ELECTRIC VALVE	ELEKTROVENTIL
DRIVE TAV. 015	21A	RTFOC00520	ELETTROVALVOLA 3V (CON LAVAGGIO)	SOUPAPE	ELECTRIC VALVE	ELEKTROVENTIL
DRIVE TAV. 015	22	RTFOC00145	REGOL. DI PORTATA BOILER	REGULATEUR DE PORTÉE BOILER	BOILER FLOW REGULATOR	DURCHFLUSSREGLER BOILER
DRIVE TAV. 015	23	RTFOC00120	REGOLAT.E/VALV.FCV.ROSSO/0,25	REGULATEUR DE PORTÉE	FLOWREGULATOR	DURCHSTRÖMUNGSREGLER
DRIVE TAV. 015	24	RTFOC00557	INIET.UMIDIF.FCV D.1.5	INJECTEUR HUMIDIFICATEUR	INJECTOR HUMIDIFIER	EINSPRITZER BEFEUCHTER
DRIVE TAV. 015	25	RTFOC00289	GUARNIZ.TERM.AB.VAP.FCV GOR112	JOINT	GASKET	DICHTUNG
DRIVE TAV. 015	26	RTFOC00753	P/GOMMA ABB.VAPORI	SOUPLE	RUBBER	GUMMI
DRIVE TAV. 015	27	RTFOC00621	RAMPA SC.COND.FGM200/1	RAMPE DE DÉCHARGEMENT CONDENSE	RAMP SC.COND.	RAMPE
DRIVE TAV. 015	28	RTFOC00529	INIET.AB.VAP.10G 1/8GGA-4.3W	INJECTEUR DÉTACHEMENT VAPEUR	INIETT. VAPOUR	EINSPRITZER DAMPF
DRIVE TAV. 015	29	PAFOC00368	CAND.RILEV.BRUCIATORE FGM202	ELECTRODE DÉTECTION	SPARK PLUG DI RILEVAZ.	ZÜNDKERZE
DRIVE TAV. 015	30	RTFOC00022	ELETTROVALVOLA 1V	SOUPAPE	ELECTRIC VALVE	ELEKTROVENTIL
DRIVE TAV. 015	31	RTFOC00702	TUBO ABBATTIMENTO VAPORE	TUYAU DÉTACHEMENT VAPEUR	PIPE STEAM	ROHR DAMPF
DRIVE TAV. 015	32	PAFOC00367	CAND.ACC.BRUCIATORE FGM202	ELECTRODE	SPARK PLUG	ZÜNDKERZE
DRIVE TAV. 015	33	RTFOC00383	GABBIA P/TEGLIE+MANIGL.FEP160	CAGE PÂTISSERIE	CAGE PASTRY	KÄFIG GEBÄCK
DRIVE TAV. 015	34	RTFOC00285	GRIGLIA F.FCV/16G CROM.	GRILLE PÂTISSERIE	GRILL PASTRY	GRILL GEBÄCK
DRIVE TAV. 015	35	RTFOC00318	GABBIA P/TEGLIE+MANIG.FCV/20GN	CAGE GN 2/1	CAGE GN 2/1	KÄFIG GN 2/1
DRIVE TAV. 015	36	RTFOC00287	GRIGLIA FORNO GN 2/1	GRILLE DU FOUR GN 2/1	GRILL OVEN GN 2/1	GRILL HERD GN 2/1
DRIVE TAV. 015	37	GAFOC00133	AS.GUIDA P/GABBIA SX FCV2	GUIDE GAUCHE	LEFT GUIDE	FHRUNG LINKS
DRIVE TAV. 015	38	GAFOC00131	AS.GUIDA P/GABBIA DX FCV2	GUIDE DROITE	RIGHT GUIDE	FHRUNG RECHTS
DRIVE TAV. 015	39	RTFOC00316	DISTANZ.GUIDA P/GABBIA FEC200	ENTRTOISE	SPACER	DISTANZSTÜCK
DRIVE TAV. 015	40	RTFOC00301	ANELLO TENUTA ALB.MOT.FGC100	ANNEAU	RING	RING

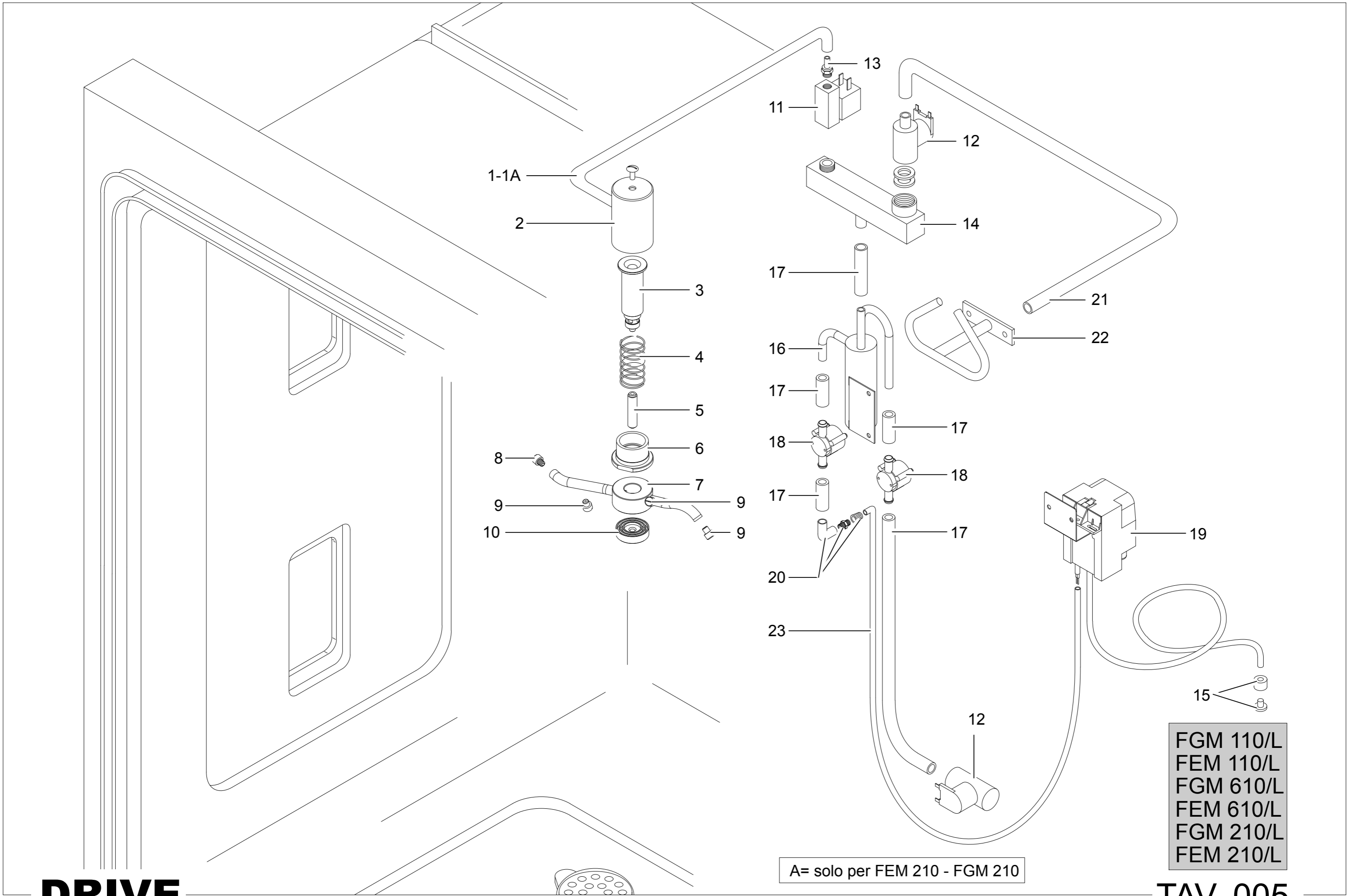


DRIVE

FGM 210/L

TAV. 016

TAVOLA	POS.	CODICE	ITALIANO	FRANCESE	INGLESE	TEDESCO
DRIVE TAV. 016	1	165088	BOILER G.FGM200	BOILER	BOILER	BOILER
DRIVE TAV. 016	2	RTFOC00186	DADO 3/4"ES.INOX FCVM	ECROU3/4"	NUT 3/4"	MUTTER 3/4"
DRIVE TAV. 016	3	GAFOC00147	AS.CAMINO BOILER FGM200	CHEMINÉE BOILER	CHIMNEY BOILER	KAMIN BOILER
DRIVE TAV. 016	4	RTFOC00120	REGOLAT.E/VALV.FCV.ROSSO/0,25	REGULATEUR DE PORTÉE	FLOWREGULATOR	DURCHSTRÖMUNGSREGLER
DRIVE TAV. 016	5	RTFOC00203	ELETTROVALVOLA 2V	SOUPAPE	ELECTRIC VALVE	ELEKTROVENTIL
DRIVE TAV. 016	5A	RTFOC00520	ELETTROVALVOLA 3V (CON LAVAGGIO)	SOUPAPE	ELECTRIC VALVE	ELEKTROVENTIL
DRIVE TAV. 016	6	RTFOC00145	REGOL. DI PORTATA BOILER	REGULATEUR DE PORTÉE BOILER	BOILER FLOW REGULATOR	DURCHFLUSSREGLER BOILER
DRIVE TAV. 016	7	165091	TU.AL.ACQ.BOILER FGM200	TUBE DE CHARGEMENT DE L'EAU	PIPE WATERINLET	ROHR WASSERZUFLUSS
DRIVE TAV. 016	8	161660	MANOP.COND.FCV.GRIGIA	BOUTON	KNOB	DREHGRIFF
DRIVE TAV. 016	9	RTFOC00213	GUARNIZ.	GARNITURE	GASKET	DICHTUNG
DRIVE TAV. 016	10	RTMIN00249	FASCETTA	BANDE	CLAMP	SHELLE
DRIVE TAV. 016	11	RTFOC00351	TU.FLES.PRES.BIANCO/140	TUYAU	PIPE FLEXIBLE	ROHR FLEXIBEL
DRIVE TAV. 016	12	RTFOC00212	VALVOLA PESO	VALVE	VALVE	VENTIL
DRIVE TAV. 016	13	RTFOC00529	INIET.AB.VAP.10G 1/8GGA-4.3W	INJECTEUR DÉTACHEMENT VAPEUR	INIETT. VAPOUR	EINSPRITZER DAMPF
DRIVE TAV. 016	14	RTCP900089	CALOTTA OT.D.14 CP	ECROU	NUT	MUTTER
DRIVE TAV. 016	15	RTCP900088	BICONO D.14 CP	BICONE	DOUBLE CONE	DOPPELKONUS
DRIVE TAV. 016	16	RTCP900087	NIPLES CP OT/M/1/2"XM20/D.14	NIPLES 1/2" X M20	NIPLES 1/2" X M20	NIPPEL 1/2" X M20
DRIVE TAV. 016	17	RTFOC00258	CORPO V.FGM69/0822112	VALVE GAS	VALVE GAS	VENTIL GAS
DRIVE TAV. 016	18	RTFOC00350	AS.RAMPA FGM100 ZINC.	RAMPE DU GAZ	RAMP GAS	RAMPE GAS
DRIVE TAV. 016	19	RTFOC00100	GUARNIZ.AS.RAMPA FGC060	GARNITURE RAMPE DU GAZ	GASKET RAMP GAS	DICHTUNG RAMPE GAS
DRIVE TAV. 016	20	RTFOC00352	TU.AL.BRUC.BOILER FGM200	TUYAU	PIPE	ROHR
DRIVE TAV. 016	21	RTBF800015	CALOTTA D.14 ART.181 GBR	ECROU D.14	NUT D.14	MUTTER D.14
DRIVE TAV. 016	22	RTBF800137	BICONO D.14 ART.182 GBR	BICONE D.14	DOUBLE CONE D.14	DOPPELKONUS D.14
DRIVE TAV. 016	23	RTCU900013	CALOTTA D.10	ECROU D.10	NUT D.10	MUTTER D.10
DRIVE TAV. 016	24	RTCU900012	BICONO D.10	BICONE POUR TUYAU Ø 10	BICONE Ø10	ZWEIKEGEL Ø10
DRIVE TAV. 016	25	RTFOC00621	RAMPA SC.COND.FGM200/1	RAMPE DE DÉCHARGEMENT CONDENSE	RAMP SC.COND.	RAMPE
DRIVE TAV. 016	26	165089	TU.SCARICO ACQ.BOY.	TUBE DE DECHARGE DE L'EAU	PIPE WATEROUTLET	ROHR WASSERABFLUSS
DRIVE TAV. 016	27	RTFOC00348	AS.SUP.INIET.F.FGM200 ZINC.	SUPPORT INJECTEUR	INJACTOR SUPPORT	EINSPRITZHALTERUNG
DRIVE TAV. 016	28	VEDI MANUALE UGELLI				
DRIVE TAV. 016	29	PAFOC00250	CAND.ACC.BRU.F.FGM202/89 15401	BOUGIE D'ALLUMAGE	PLUG SPARKE	ZÜNDKERZE
DRIVE TAV. 016	30	RTFOC00211	BRUC.BOY FGM 103171600	BRULEUR	BURNER	BRENNER
DRIVE TAV. 016	31	PAFOC00368	CAND.RILEV.BRUCIATORE FGM202	ELECTRODE DÉTECTION	SPARK PLUG DI RILEVAZ.	ZÜNDKERZE
DRIVE TAV. 016	32	164484	TERMOCOPPIA	THERMOCOUPLE	THERMOCOPPIA	WAERMEPAAR
DRIVE TAV. 016	33	RTFOC00022	ELETTROVALVOLA 1V	SOUPAPE	ELECTRIC VALVE	ELEKTROVENTIL
DRIVE TAV. 016	34	RTFOC00702	TUBO ABBATTIMENTO VAPORE	TUYAU DÉTACHEMENT VAPEUR	PIPE STEAM	ROHR DAMPF
DRIVE TAV. 016	35	RTFOC00289	GUARNIZ.TERM.AB.VAP.FCV GOR112	GARNITURE	JOINT	DICHTUNG
DRIVE TAV. 016	36	RTFOC00753	P/GOMMA ABB.VAPORI	SOUPLE	RUBBER	GUMMI
DRIVE TAV. 016	37	164518	REGOLATORE LIV.BOY.F.HOBART	RÉGULATEUR	REGULATOR	REGLER
DRIVE TAV. 016	38	162282	SQ.FIS.CONTROLLO LIV.BOY.F.HOBART	EGUERRE	CREW	WINKEL
DRIVE TAV. 016	39	RTCP800118	TU.FLES+G.AL.RUB.VAP.MF3/4"185	TUYAU	PIPE FLEXIBLE	ROHR FLEXIBEL



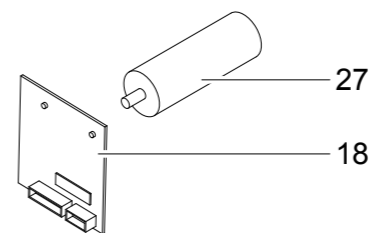
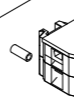
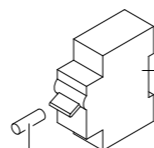
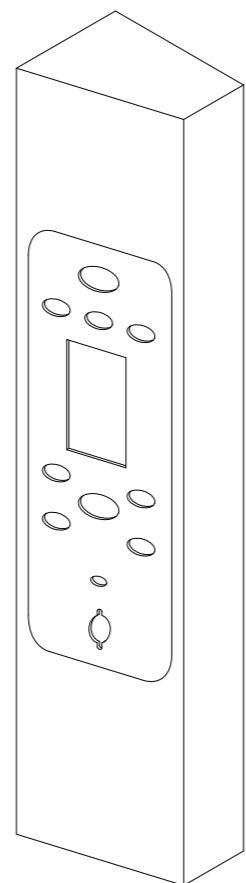
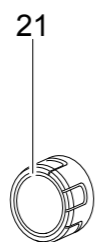
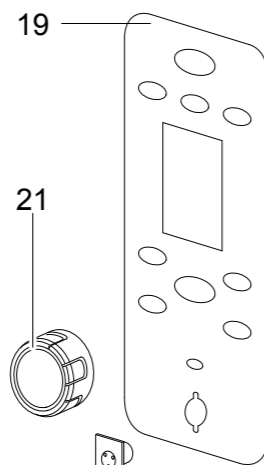
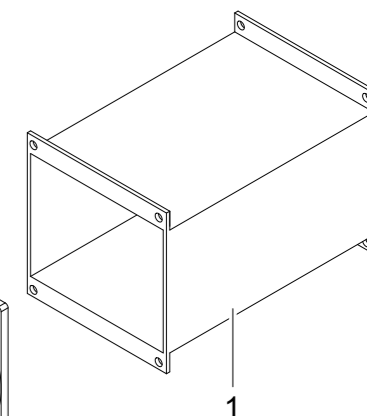
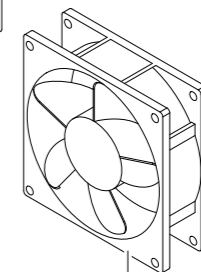
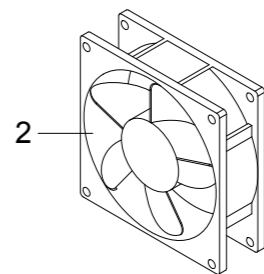
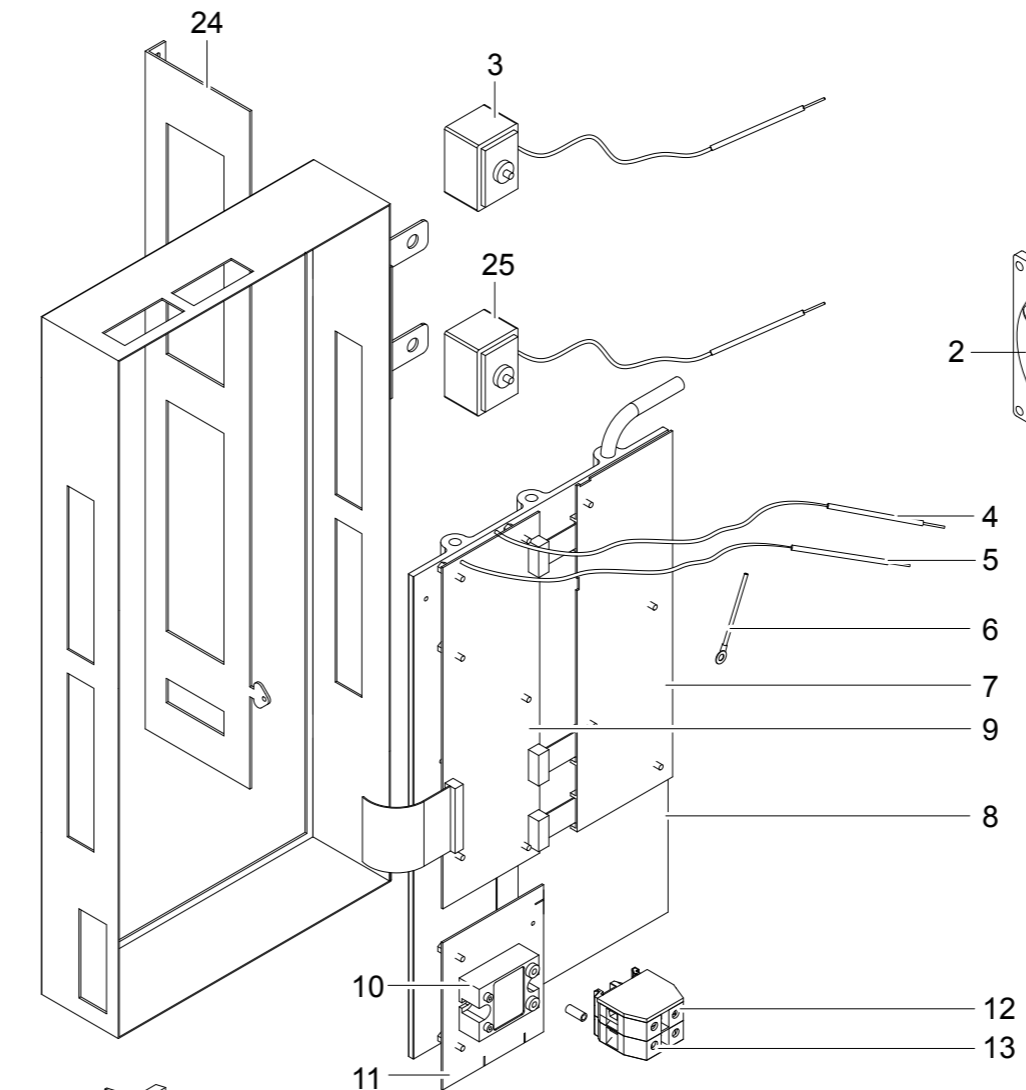
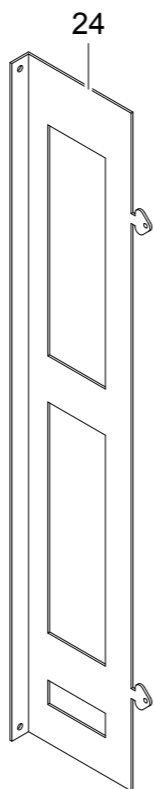
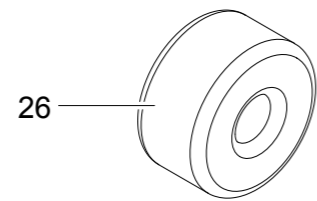
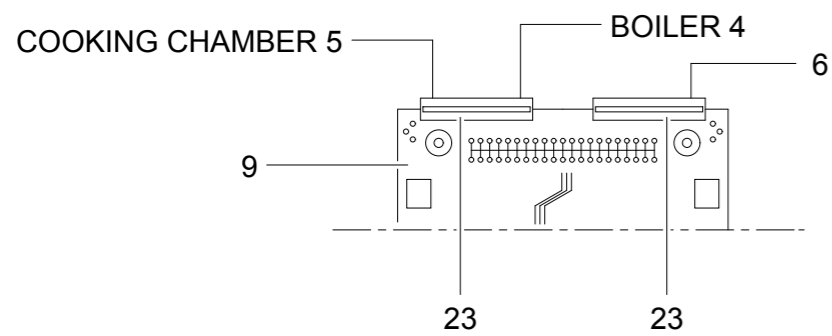
DRIVE

A= solo per FEM 210 - FGM 210

FGM 110/L
 FEM 110/L
 FGM 610/L
 FEM 610/L
 FGM 210/L
 FEM 210/L

TAV. 005

TAVOLA	POS.	CODICE	ITALIANO	FRANCESE	INGLESE	TEDESCO
DRIVE TAV. 005	1	165283	TU.AL.ROTORE LAV. F. (FEM110-FGM110-FEM610-FGM610)	TUYAU LAVAGE (FEM110-FGM110-FEM610-FGM610)	WASH ARM SUPPLY PIPE	ZULEITUNG WASCHARM
DRIVE TAV. 005	1A	165738	TU.AL.ROTORE LAV. F. (FEM210 - FGM210)	TUYAU LAVAGE (FEM210 - FGM210)	WASH ARM SUPPLY PIPE	ZULEITUNG WASCHARM
DRIVE TAV. 005	2	165113	CALOTTA ROTORE LAV.F.	CORPS DE TOURNIQUET	ROTOR COVER	HALTER WASCHARM
DRIVE TAV. 005	3	165111	ASSE ROTORE LAV.F.	AXE DU TOURNIQUET	WASHING DRIVE SHAFT	ACHSE
DRIVE TAV. 005	4	165116	MOLLA ROTORE LAV.F.	RESSORT TOURNIQUET	SPRING ROTOR	FEDER
DRIVE TAV. 005	5	165110	PERNO OTT.ROTORE LAV.F.	OBTURATEUR TOURNIQUET	ROTOR OBTURATOR	BOLZEN
DRIVE TAV. 005	6	165115	BOCCOLA FIS.ASSE ROTORE LAV.F.	PALIER TOURNIQUET	BUSHING FIXING ROTOR	BUCHSE
DRIVE TAV. 005	7	165538	GRUPPO SUP.BRACCI LAVAGGIO	TOURNIQUET	WASH ARM	HAUPTTEIL WASCHARM
DRIVE TAV. 005	8	165281	UGELLO LAVAGGIO D1.5 F.HOBART	BUSE SPECIALE EXTREMITE	WASH INJECTOR DIAMETER 1,5 mm	DUSE
DRIVE TAV. 005	9	165279	UGELLO LAVAGGIO F.HOBART 140019	BUSE	WASH INJECTOR	DUSE
DRIVE TAV. 005	10	165112	GHIERA BLOCCAGGIO ROTORE LAV.	ECROU DU TOURNIQUET	RING NUT ROTOR	ABDECKSCHRAUBE
DRIVE TAV. 005	11	165596	E/VALV.N-A F.DRIVE+BOBINA RD263DVH+7701	ELECTROVANNE	ELECTRIC VALVE	MAGNETVENTIL
DRIVE TAV. 005	12	RTFOC00022	E/VALVOLA FCV.1V.207038	ELECTROVANNE	ELECTRIC VALVE	MAGNETVENTIL
DRIVE TAV. 005	13	RTFOC00626	RACCORDO PORTAGOMMA	TETINE	UNION RUBBER	ANSCHLUßSHTCK
DRIVE TAV. 005	14	165633	COLLETTORE LAV.F.DRIVE	NOURRICE EV LAVAGE	WASHING COLLECTOR	VERTEILER
DRIVE TAV. 005	15	165597	FILTRO DI FONDO LAV.FORNO 9900106162	EMBOUT FILTRE PRISE DETERGENT	FILTER	ANSAUGFILTER
DRIVE TAV. 005	16	165282	SERBATOIO LAVAGGIO	BOITE DE RUPTURE	WATER SOAP SEPARATOR TANK	BEHALTER
DRIVE TAV. 005	17	165791	TUBO GOMMA/D.10X17 10ATM.EUROC	TUYAU SOUPLE 10Bars 10X17	RUBBER PIPE	SCHLAUCH
DRIVE TAV. 005	18	165048	E/VALV.DI RITEGNO	CLAPET ANTI RETOUR	NON RETURN VALVE	MAGNETVENTIL
DRIVE TAV. 005	19	165280	DOSATORE PERISTATICO	POMPE DE DOSAGE	DETERGENT PUMP	DOSIERGERAT
DRIVE TAV. 005	20	165290	RACCORDO DOSAGGIO DET.LAV.F.9900107047	RACCORD POMPE DE DOSAGE	DOSAGE CONNECTION	ANSCHLUßWINKEL
DRIVE TAV. 005	21	165503	TU.INT.LAVAGGIO F.FGM610	TUBE LAVAGE ARRIERE F.FGM610	PIPE	ANSCHLUßLEITUNG
DRIVE TAV. 005	22	165665	EROGATORE ACQ.LAV.INT.F.FGM610	BUSE LAVAGE ARRIERE	DISTRIBUTING WATER	WASSERVERTEILER
DRIVE TAV. 005	23	165285	TU.PESCAGGIO DET.LAV.	TUYAU PRISE DETERGENT	DETERGENT PIPE	SCHLAUCLE DOSIERGERAT



FGM 610/L
FGM 110/L
FGM 210/L

Tavola	POS.	Codice	DESCRIZIONE	DESCRIPTION	DESCRIPTION	TITEL
DRIVE TAV. 008	1	GAFOC00118	AS.CONV.CALORE FEM109	CONVOYER CHALEUR	HEAT CONVEYOR	WARMEVENTILATOR
DRIVE TAV. 008	2	RTFOC00254	VENT.CALORE FEM109	VENTILATEUR CHALEUR	HEATFAN	WARMEVENTILATOR
DRIVE TAV. 008	3	RTFOC00483	T.L.FCV/1T350 5510562800	THERMOSTAT LIMIT	LIMIT THERMOSTAT	THERMOSTAT LIMIT
DRIVE TAV. 008	4	164484	T/COPPIA 6X100 K F.HOBART MBM00018	THERMOCOUPLE	THERMOCOUPLE	THERMOELEMENT
DRIVE TAV. 008	5	164729	T/COPPIA 52 K F.HOBART MBM00017	THERMOCOUPLE	THERMOCOUPLE	THERMOELEMENT
DRIVE TAV. 008	6	164730	T/COPPIA AD OCCHIELLO	THERMOCOUPLE	THERMOCOUPLE	THERMOELEMENT
DRIVE TAV. 008	7	164823	SCHEDA POTENZA	CARTE DE PUISSANCE	POWER SCHEME	SCHALTPLAN POTENZ
DRIVE TAV. 008	8	1235150	RADIATORE	RADIATEUR	RADIATOR	HEIZKÖRPER
DRIVE TAV. 008	9	164491	SCHEDA CPU	SCHEDA	SCHEME	SCHALTPLAN
DRIVE TAV. 008	10	RIC0003591	RELAIS STATICO	RELAIS	RELAY	RELAIS
DRIVE TAV. 008	11	164826	SCHEDA MOTORE	SCHEDA	SCHEME	SCHALTPLAN
DRIVE TAV. 008	12	RIC0003594	MORSETTIERA NEUTRO	CONNECTION DES CABLES	TERMINAL BOARD	KLEMMBRETT
DRIVE TAV. 008	13	RIC0003595	MORSETTIERA	CONNECTION DES CABLES	TERMINAL BOARD	KLEMMBRETT
DRIVE TAV. 008	14	RIC0003606	MAGNETO TERMICO	INTERRUPTEUR MAGNETIQUE	SWITCH	SCHALTER
DRIVE TAV. 008	15	RIC0003609	FUSIBILE 10A RITARDATO	FUSIBLE 10A	FUSIBLE 10A	SICHERUNG 10A
DRIVE TAV. 008	16	164793	SCHEDA EL.COMANDI DGT.FEM110	CARTE DE COMMANDE	ELECTRIC SCHEME	SCHALTPLAN
DRIVE TAV. 008	17	164825	SCHEDA EL.ENCODER F.FEM110	SCHEDA	SCHEME	SCHALTPLAN
DRIVE TAV. 008	18	164493	SCHEDA INVERSIONE ROTAZIONE MOTORE	SCHEDA	SCHEME	SCHALTPLAN
DRIVE TAV. 008	19	165056	MASCHER.CRUS.FEM610	MASQUE TABLEAU	COVER DASH BOARD	ABDECKUNGSTIRNBRETT
DRIVE TAV. 008	20	164502	CONNETTORE SONDA F.HOBART MBM00021	CONNECTEUR	CONNECTOR	VERBINDUNG
DRIVE TAV. 008	21	164794	MANOP.COM.F.SERIE DRIVE	BOUTON	KNOB	GRIFF
DRIVE TAV. 008	22	164501	SONDA C/DIAM 4X100 K MBM00019	SONDE	PROBE	SONDE
DRIVE TAV. 008	23	RIC0003599	CONNETTORE 8 PIN	CONNECTEUR	CONNECTOR	VERBINDUNG
DRIVE TAV. 008	24	166012	SUPPORTI	SUPPORT	SUPPORT	HALTERUNG
DRIVE TAV. 008	25	RTBF800076	T.L.BOILER T360	THERMOSTAT LIMIT	LIMIT THERMOSTAT	THERMOSTAT LIMIT
DRIVE TAV. 008	26	164498	TRASF.ROT.165VA+ROND.F.HOBART TT01228A	TRANSFORMATEUR	TRASFORMATOR	TRASFORMATOR
DRIVE TAV. 008	27	RTFOC00256	CONDENSATORE FCVEM CRU26231943 0,12 MIC.	CONDENSATEUR	CONDENSATOR	KONDENSATOR