

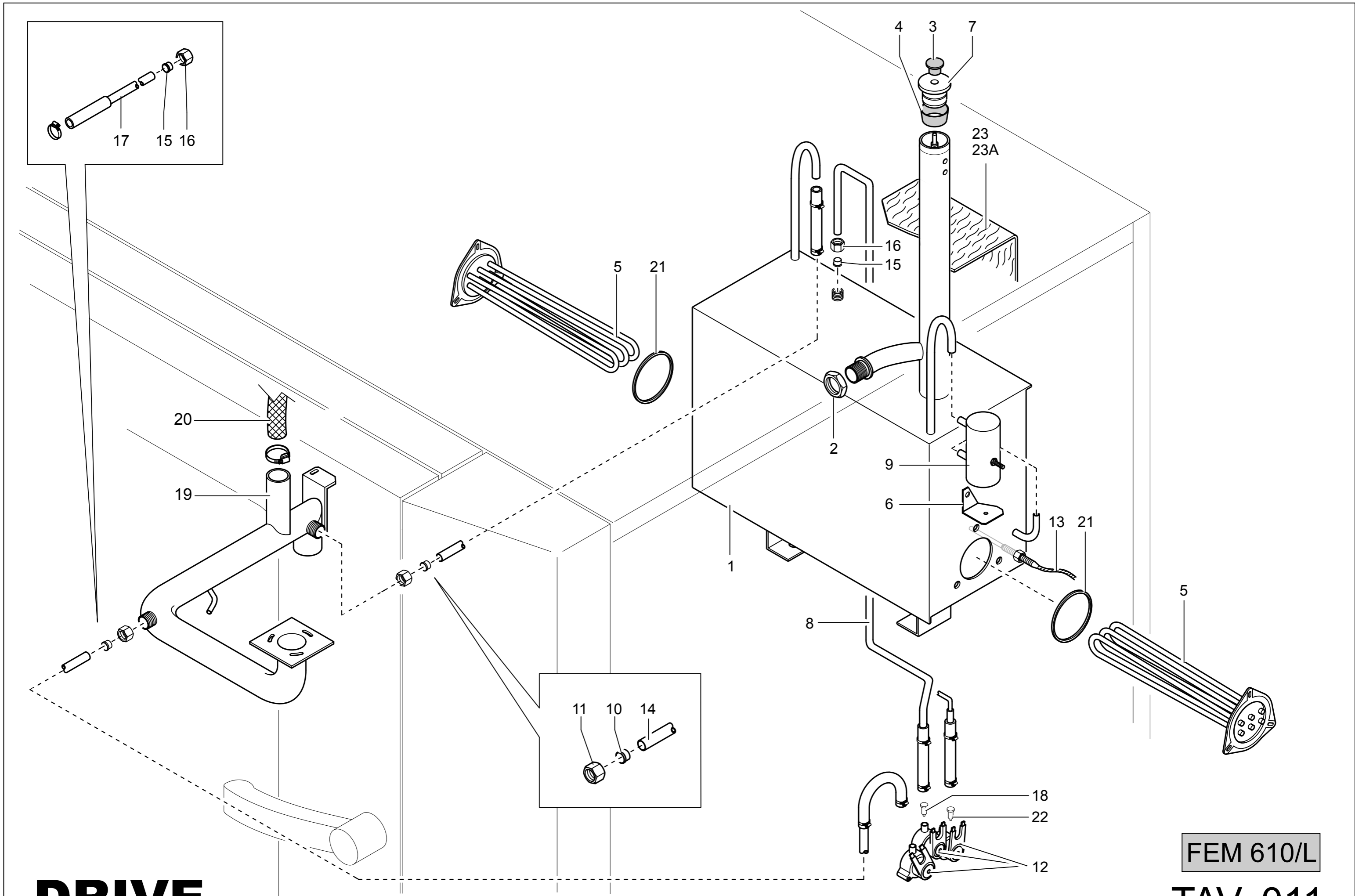
**DRIVE**

A= solo per FGM 610

FEM 610/L  
FGM 610/L

TAV. 009

| TAVOLA         | POS. | CODICE     | DESCRIZIONE                   | DESCRIPTION                              | DESCRIPTION                   | TITEL                          |
|----------------|------|------------|-------------------------------|------------------------------------------|-------------------------------|--------------------------------|
| DRIVE TAV. 009 | 1    | GAFOC00030 | AS.CERN.SUP.SX P.F.           | CHARNIÈRE SUPÉRIEURE GAUCHE              | INGE PIN SUPER.LEFT           | TÜRANGEL OBEN LINKS            |
| DRIVE TAV. 009 | 1-1  | GAFOC00213 | AS.CERN.SUP.DX P.F.           | CHARNIÈRE SUPÉRIEURE DROITE              | INGE PIN SUP. RIGHT           | TÜRANGEL RECHTS                |
| DRIVE TAV. 009 | 2    | 161270     | GR. VETRO INT. SX/DX          | C/PORTE DU FOUR GAUCHE                   | C/OVEN DOOR LEFT              | C/OFENTÜR LINKS                |
| DRIVE TAV. 009 | 3    | 161158     | AS.PORTA FORNO.SX             | PORTE DU FOUR GAUCHE                     | OVEN DOOR LEFT                | OFENTÜR LINKS                  |
| DRIVE TAV. 009 | 3-1  | 161619     | AS.PORTA FORNO.DX             | PORTE DU FOUR DROITE                     | OVEN DOOR RIGHT               | OFENTÜR RECHTS                 |
| DRIVE TAV. 009 | 4    | 161171     | VETRO ESTERNO SX/DX           | VERRE EXTER GAUCHE/DROITE                | EXTERNAL GASKET LEFT/RIGHT    | EXTERNER GLAS RECHTS/LINKE     |
| DRIVE TAV. 009 | 5    | 161107     | ASS. CASS. FORNO FEM610       | CAISSON                                  | BODY                          | SCHUBLADE                      |
| DRIVE TAV. 009 | 5A   | 161106     | ASS. CASS. FORNO FGM610       | CAISSON                                  | BODY                          | SCHUBLADE                      |
| DRIVE TAV. 009 | 6    | PAFOC00583 | CERN.INF.P.F.DX               | CHARNIÈRE INFÉRIEUR DROITE PORTE DU FOUR | INGE PIN INF. RIGHT           | TÜRANGEL INF. RECHTS           |
| DRIVE TAV. 009 | 6-1  | 161387     | CERN.INF.P.F.SX               | CHARNIÈRE INFÉRIEUR GAUCHE PORTE DU FOUR | INGE PIN INFER.LEFT           | TÜRANGEL UNTENLINKS            |
| DRIVE TAV. 009 | 7    | 160912     | MANIGLIA                      | POIGNÉE                                  | HANDLE                        | HANDGRIFF                      |
| DRIVE TAV. 009 | 8    | RTFOC00338 | ANELLO EST.MAN.P.F.           | ANNEAU EXT. POIGNÉE PORTE DU FOUR        | OUTWARD RING OVEN DOOR HANDLE | HANDGRIFF                      |
| DRIVE TAV. 009 | 9    | 160911     | BASETTA MANIGLIA              | EPAISSEUR POIGNÉE                        | HANDLE                        | HANDGRIFF                      |
| DRIVE TAV. 009 | 10   | RTFOC00337 | ANELLO INT.GRADINO MAN.P.F.   | ANNEAU INTERIEUR EPAISSEUR               | INNER RING                    | INNENRING                      |
| DRIVE TAV. 009 | 11   | 161176     | AS. CASSETTO SX INT. P.F.     | GROUPE BASSIN GAUCHE                     | UNIT DRAWER LEFT              | GRUPPE SCHUBLADE LINKE         |
| DRIVE TAV. 009 | 11-1 | 161566     | AS. CASSETTO DX INT. P.F.     | GROUPE BASSIN DROITE                     | UNIT DRAWER RIGHT             | GRUPPE SCHUBLADE RECHTS        |
| DRIVE TAV. 009 | 12   | 161135     | AS.CASSETTO SX                | BASSIN GAUCHE                            | TRAY LEFT                     | SCHUBLADE LINKS                |
| DRIVE TAV. 009 | 12-1 | 161574     | AS.CASSETTO DX                | BASSIN DROITE                            | TRAY RIGHT                    | SCHUBLADE RECHTS               |
| DRIVE TAV. 009 | 13   | RTFOC00413 | PIEDINO+T.OTTAG.FGC065/87,5   | PIED                                     | FOOT                          | FUSS                           |
| DRIVE TAV. 009 | 14   | RTFOC00711 | MICROINT.FCV.                 | MICRO-INTERRUPTEUR PORTE DU FOUR         | MICRO OVEN DOOR               | MIKRO OFENTÜR                  |
| DRIVE TAV. 009 | 15   | 165050     | AS.CRUSCOTTO                  | PANNEAU DE CONTRÔLE                      | CONTROL PANEL                 | STIRNBRETT                     |
| DRIVE TAV. 009 | 16   | PAFOC00491 | FIANCO DX                     | CÔTÉ DROITE                              | RIGHT SIDE                    | RECHTE SEITE                   |
| DRIVE TAV. 009 | 17   | 165337     | POSTERIORE INOX               | PANNEAU POSTERIEUR                       | BACK PANEL                    | HINTEN                         |
| DRIVE TAV. 009 | 18   | 161204     | AS.COPERCHIO FEM610           | COUVERCLE EXT.                           | COVER EXT.                    | ABDECKUNG                      |
| DRIVE TAV. 009 | 18A  | 161202     | AS. COPERCHIO FGM610          | COUVERCLE EXT.                           | COVER EXT.                    | ABDECKUNG                      |
| DRIVE TAV. 009 | 19   | PAFOC00493 | FIANCO SX                     | CÔTÉ GAUCHE                              | LEFT SIDE                     | LINKE SEITE                    |
| DRIVE TAV. 009 | 20   | 161502     | AS. GHIERA BLOCCO VETRO       | GROUPE BAGUE BLOCAGE VERRE               | UNIT LUCKING GLASS NUT        | GRUPPE GEFESTIGUNGSMUTTER GLAS |
| DRIVE TAV. 009 | 21   | GAFOC00027 | AS.C/FORO CASS.               | COUVRE TROU                              | PLUG                          | LOCHABDECKUNGSPROPFEN          |
| DRIVE TAV. 009 | 22   | RTFOC00555 | AT.GRIGLIA LAT.F.             | ATTAQUE GRILLE LATÉRALE                  | GRILL CONNECTION SIDE         | GRILLAUFPLAGE SEITE            |
| DRIVE TAV. 009 | 23   | RTFOC00197 | MOTORIDUTTORE                 | DÉMARREUR                                | MOTOR                         | MOTOR                          |
| DRIVE TAV. 009 | 24   | RTFOC00192 | ALBERO SCARICO                | ARBRE                                    | SHAFT                         | WELLE                          |
| DRIVE TAV. 009 | 25   | RTFOC00711 | MICROINTERRUTTORE             | MICRO-INTERRUPTEUR                       | MICROSWITCH                   | MIKROSCHALTER                  |
| DRIVE TAV. 009 | 26   | RTFOC00553 | ASTA SCARICO CONDENSA         | BARRE TRANSVERSAL                        | ROD TRANSVERS.                | STAB                           |
| DRIVE TAV. 009 | 27   | PAFOC00680 | DISCO INF.SCARICO COND.       | DISQUE INFÉRIEUR DÉCHARGÉ                | DISC INFER. OUTLET            | SCHEIBE UNTEN AUSGANG          |
| DRIVE TAV. 009 | 28   | RTFOC00382 | *CORNICI FIS.VETRO P/LAMP.    | CADRE DU PORTELAMPE                      | MOULDING P/LAMP               | UMRAHMUNG P/LAMPE              |
| DRIVE TAV. 009 | 29   | 161283     | GUARNIZIONE P/LAMPADA         | GARNITURE DU PORTELAMPE                  | GASKET P/LAMP                 | DICHTUNG P/LAMPE               |
| DRIVE TAV. 009 | 30   | RTFOC00201 | *VETRO P/LAMPADA              | VERRE DU PORTELAMPE                      | GLASS P/LAMP                  | GLAS P/LAMPE                   |
| DRIVE TAV. 009 | 31   | 161281     | PORTA LAMPADA                 | PORTELAMPE                               | DOOR LAMP                     | PORTA LAMPE                    |
| DRIVE TAV. 009 | 32   | 161282     | LAMPADA                       | LAMPE                                    | LAMP                          | LAMPE                          |
| DRIVE TAV. 009 | 33   | RTFOC00009 | GANCIO                        | CROCHET                                  | HOOK                          | HAKEN                          |
| DRIVE TAV. 009 | 34   | RTFOC00005 | ZOCCOLO ESTERNO               | GODET EXTÉRIEUR                          | OUTWARD BASE                  | SOCKEL AUSSEN                  |
| DRIVE TAV. 009 | 35   | 161513     | MOLLA FERMO GHIERA            | RESSORT DE LA SERRURE DU VIROLE          | FERRULE LOCK SPRING           | FEDER DES MUTTER-SCHLOSSES     |
| DRIVE TAV. 009 | 36   | RTMIN00022 | DADO CIECO                    | ECROU                                    | NUT                           | MUTTER                         |
| DRIVE TAV. 009 | 37   | 161580     | AS. PROTEZIONE SERRATURA DX   | GROUPE PROTECTION SERRURE DROITE         | UNIT RIGHT LOCK PROTECTION    | GRUPPE SHUTZSCHLOSS RECHTZ     |
| DRIVE TAV. 009 | 37-1 | 161150     | AS. PROTEZIONE SERRATURA SX   | GROUPE PROTECTION SERRURE GAUCHE         | UNIT LEFT LOCK PROTECTION     | GRUPPE SHUTZSCHLOSS LINKE      |
| DRIVE TAV. 009 | 38   | 161411     | GUARNIZIONE CRUSCOTTO         | GARNITURE PANNEAU DE CONTRÔLE            | CONTROL PANEL GASKET          | DICHTUNG STIRNBRETT            |
| DRIVE TAV. 009 | 39   | RTFOC00721 | GUARNIZIONE FACCIATA          | GARNITURE DEVANTURE                      | GASKET FACE                   | DICHTUNG OFENVORDERWAND        |
| DRIVE TAV. 009 | 40   | RTFOC00302 | ANELLO TENUTA ALB.MOT.        | ANNEAU                                   | RING                          | RING                           |
| DRIVE TAV. 009 | 41   | 161477     | DISTANZIALE GOMMINO P.F.      | BOUCHON DE LA PORTE                      | DOOR RUBBER CAP               | TÜRGUMMI                       |
| DRIVE TAV. 009 | 42   | GAFOC00005 | SERRATURA                     | SERRURE                                  | LOCK                          | SCHLOSS                        |
| DRIVE TAV. 009 | 43   | RTFOC00057 | ZOCCOLO CENTRALE              | GODET CENTRAL                            | CENTRAL BASE                  | SOCKEL ZENTRAL                 |
| DRIVE TAV. 009 | 44   | PAFOC00329 | DISCO SCARICO COND.FEC200     | DISQUE DÉCHARGÉ                          | DISK OUTLET                   | SCHEIBE AUSGANG                |
| DRIVE TAV. 009 | 45A  | AFC0000012 | CAMINO ANTIVENTO              | CHEMINÉE ANTIVENT                        | CHIMNEY                       | KAMIN WINDSCHUTZ               |
| DRIVE TAV. 009 | 46A  | RTFOC00229 | CAMINO SUP.FGM061             | CHEMINÉE SUPÉRIEURE                      | UPPER CHIMNEY                 | OBERER SCHORNSTEIN             |
| DRIVE TAV. 009 | 47   | RTFOC00514 | DISTANZ.INF/SUP SERR.FGC060/1 | ENTRTOISE                                | SPACER                        | DISTANZSTÜCK                   |
| DRIVE TAV. 009 | 48   | RTFOC00515 | DISTANZ.CENT.SERR.FGC060/1    | ENTRTOISE                                | SPACER                        | DISTANZSTÜCK                   |

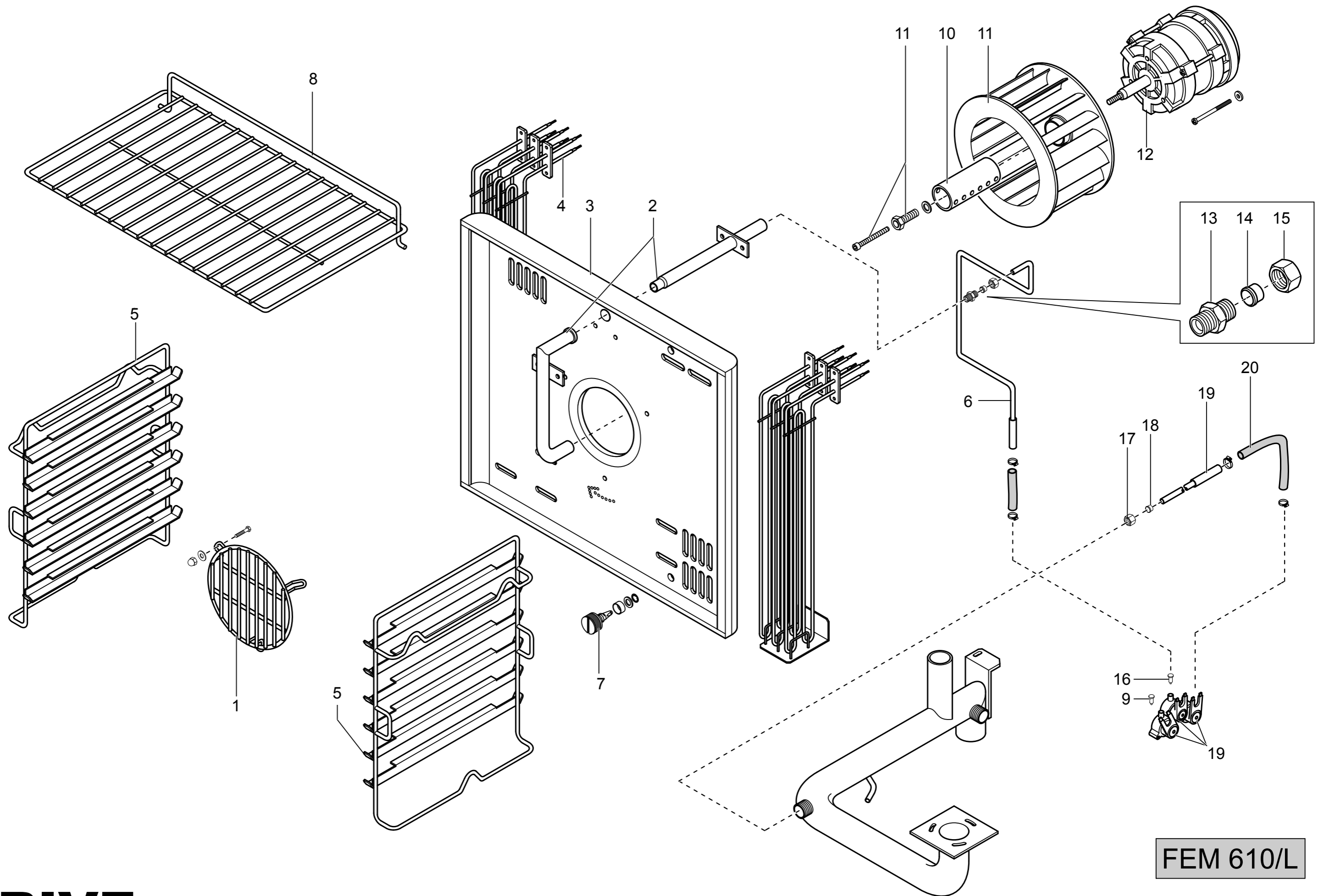


**DRIVE**

FEM 610/L

TAV. 011

| TAVOLA         | POS. | CODICE     | DESCRIZIONE                         | DESCRIPTION                                 | DESCRIPTION                             | TITEL                                   |
|----------------|------|------------|-------------------------------------|---------------------------------------------|-----------------------------------------|-----------------------------------------|
| DRIVE TAV. 011 | 1    | 165067     | BOILER E.FEM610                     | BOILER                                      | BOILER                                  | BOILER                                  |
| DRIVE TAV. 011 | 2    | RTFOC00186 | DADO 3/4"ES.INOX FCVM               | ECROU3/4"                                   | NUT 3/4"                                | MUTTER 3/4"                             |
| DRIVE TAV. 011 | 3    | 161660     | MANOP.COND.FCV.GRIGIA EKK25BM6      | BOUTON                                      | KNOB                                    | DREHGRIF                                |
| DRIVE TAV. 011 | 4    | RTFOC00213 | GUARNIZ.VALV.PESO FGM061            | GARNITURE                                   | GASKET                                  | DICHTUNG                                |
| DRIVE TAV. 011 | 5    | RTFOC00150 | R.BOY.FEM.7,5KW2301GEL7D201004      | RESISTANCE                                  | RESISTANCE                              | WIDERSTAND                              |
| DRIVE TAV. 011 | 6    | 162282     | SQ.FIS.CONTROLLO LIV.BOY.F.HOBART   | EGUERRE                                     | BRACKET                                 | STEUERTAFEL                             |
| DRIVE TAV. 011 | 7    | RTFOC00212 | VALVOLA PESO                        | VALVE                                       | VALVE                                   | VENTIL                                  |
| DRIVE TAV. 011 | 8    | 165746     | TU.AL.ACQ.BOYLER FEM610             | TUBE DE CHARGEMENT DE L'EAU                 | WATER FEEDING TAP                       | VERSORGUNGSROHR                         |
| DRIVE TAV. 011 | 9    | 164518     | REGOLATORE LIV.BOY.F.HOBART         | REGULATEUR                                  | REGULATOR                               | REGLER                                  |
| DRIVE TAV. 011 | 10   | RTCP900088 | BICONO D.14 CP                      | BICONE                                      | DOUBLE CONE                             | DOPPELKONUS                             |
| DRIVE TAV. 011 | 11   | RTCP900089 | CALOTTA OT.D.14 CP                  | ECROU                                       | NUT                                     | MUTTER                                  |
| DRIVE TAV. 011 | 12   | RTFOC00520 | E/VALVOLA FCV.3V.209035             | SOUPAPE                                     | ELECTRIC VALVE                          | ELEKTROVENTIL                           |
| DRIVE TAV. 011 | 13   | 164484     | T/COPPIA 6X100 K F.HOBART MBM00018  | THERMOCOUPLE                                | THERMCOPPIA                             | WAERMEPAAR                              |
| DRIVE TAV. 011 | 14   | 165070     | TU.SCARICO ACQ.BOY.FEM610           | TUBE DE DECHARGE DE L'EAU                   | WATER DISCHARGE PIPE                    | WASSERABLASSROHR                        |
| DRIVE TAV. 011 | 15   | RTCU900012 | BICONO D.10                         | BICONE POUR TUYAU Ø 10                      | BICONE Ø10                              | ZWEIKEGEL Ø10                           |
| DRIVE TAV. 011 | 16   | RTCU900013 | CALOTTA D.10                        | ECROU                                       | NUT                                     | MUTTER                                  |
| DRIVE TAV. 011 | 17   | 161521     | TU.AB.VAPORI FGMD/FEMD 107/109      | TUYAU DÉTACHEMENT VAPEUR                    | PIPE STEAM                              | ROHR DAMPF                              |
| DRIVE TAV. 011 | 18   | RTFOC00145 | REGOLAT.E/VALV.FCV.BIANCO/1,2 99208 | REGULATEUR DE PORTÉE BOILER 1,2 L/M (BLANC) | BOILER FLOW REGULATOR 1,2 L/MIN (WHITE) | DURCHFLUSSREGLER BOILER 1,2 L/M (BIRNE) |
| DRIVE TAV. 011 | 19   | 161212     | RAMPA SC.COND.INF.FGM67/69          | RAMPE DU DÉCHARGEMENT CONDENSE              | RAMP OUTLET COND.                       | DUNSTHAUBE                              |
| DRIVE TAV. 011 | 20   | 161508     | TUBO GOMMA SC.COND.FCV.D.36X4,0     | TUBE EN CAOUTCHAUC                          | RUBBER PIPE                             | ROHR GUMMI                              |
| DRIVE TAV. 011 | 21   | RIC0003729 | GUARNIZIONE RESISTENZA BOYLER       | GARNITURE                                   | GASKET                                  | DICHTUNG                                |
| DRIVE TAV. 011 | 22   | RTFOC00120 | REGOLAT.E/VALV.FCV.ROSSO/0,25 99206 | REGULATEUR DE PORTÉE                        | FLOW REGULATOR                          | DURCHFLUSSREGLER                        |
| DRIVE TAV. 011 | 23   | 165659     | IS.EST.BOYLER FEM610                | PROFIL ISOLANT                              | INSULATING BAND                         | ISOLIERPROFIL                           |
| DRIVE TAV. 011 | 23A  | 165662     | IS.INT.BOYLER FEM610                | PROFIL ISOLANT                              | INSULATING BAND                         | ISOLIERPROFIL                           |

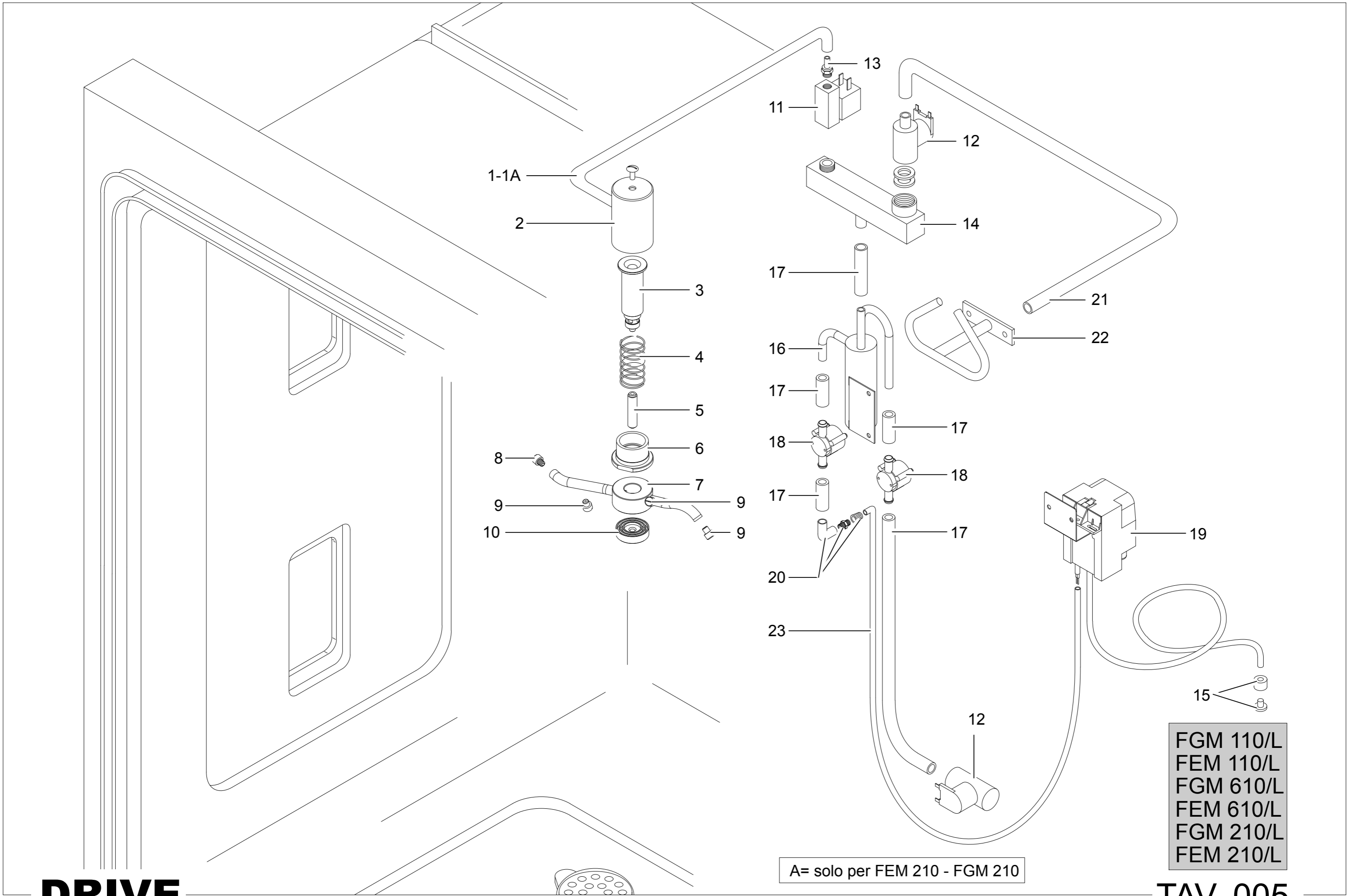


**DRIVE**

FEM 610/L

TAV. 010

| Tavola         | POS. | Codice     | DESCRIZIONE                         | DESCRIPTION                    | DESCRIPTION               | TITEL                         |
|----------------|------|------------|-------------------------------------|--------------------------------|---------------------------|-------------------------------|
| DRIVE TAV. 010 | 1    | RTFOC00174 | GRIGLIA PROT.VENT.                  | GRILLE DE PROTECTION           | GRILL IMPELLER PROTECTION | SCHUTZGITTER SCHORNSTEIN      |
| DRIVE TAV. 010 | 2    | RTFOC00487 | TU.UMIDIFICATORE                    | HUMIDIFICATEUR                 | HUMIDIFIER                | BEFEUCHTER                    |
| DRIVE TAV. 010 | 3    | 161347     | CONV.ARIA                           | CONVOYEUR DE L'AIR             | CHIMNEY                   | SCHORNSTEIN                   |
| DRIVE TAV. 010 | 4    | RTFOC00628 | RESISTENZA ELET. 2,5KW              | RESISTANCE ELET. 2,5KW         | RESISTANCE ELET. 2,5KW    | WIEDERSTAND ELET. 2,5KW       |
| DRIVE TAV. 010 | 5    | RTFOC00526 | GRIGLIA LAT.FCVM/6G INOX            | GRILLE LATÉRALE DROITE -GAUCHE | GRILL SIDERIGHT -LEFT     | GRILL SEITERECHTS -LINKS      |
| DRIVE TAV. 010 | 6    | RTFOC00532 | TU.AL.ACQ.UMIDIF.                   | TUBE HUMIDIFICATEUR            | PIPE HUMIDIFIER           | ROHR BEFEUCHTER               |
| DRIVE TAV. 010 | 7    | RTFOC00334 | AT.RAPIDO                           | ATTAQUE RAPIDE                 | CONNECTION                | SCHNELLANSCHLUSS              |
| DRIVE TAV. 010 | 8    | RTFOC00175 | GRIGLIA FORNO GN 1/1                | GRILLE DU FOUR GN 1/1          | GRILL OVEN GN 1/1         | GRILL HERD GN 1/1             |
| DRIVE TAV. 010 | 9    | RTFOC00145 | REGOLAT.E/VALV.FCV.BIANCO/1,2 99208 | REGULATEUR DE PORTÉE           | FLOWREGULATOR             | DURCHSTRÖMUNGSREGLER          |
| DRIVE TAV. 010 | 10   | RTFOC00437 | NEBULIZZATORE                       | NÉBULISATEUR                   | DISTRIBUTOR               | ZERSTÄUBER                    |
| DRIVE TAV. 010 | 11   | 161275     | GIRANTE VENT.10G D.270 P.R.         | MOBILE 50HZ                    | IMPELLER 50HZ             | LAUFRAD 50HZ                  |
| DRIVE TAV. 010 | 12   | RTFOC00696 | MOTORE VENT.FEC100                  | MOTEUR                         | MOTOR                     | MOTOR                         |
| DRIVE TAV. 010 | 13   | RTFOC00557 | INIET.UMIDIF.FCV D.1.5              | INJECTEUR HUMIDIFICATEUR       | INJECTOR HUMIDIFIER       | EINSPRITZER BEFEUCHTER        |
| DRIVE TAV. 010 | 14   | RTCU900018 | BICONO D.6                          | BICONE POUR TUBE Ø 6           | BICONE FOR PIPE Ø 6       | ZWEIKEGEL Ø 6                 |
| DRIVE TAV. 010 | 15   | RTFOC00020 | CALOTTA UMIDIF.                     | ECROU                          | NUT                       | MUTTER                        |
| DRIVE TAV. 010 | 16   | RTFOC00120 | REGOLAT.E/VALV.FCV.ROSSO/0,25       | REGULATEUR DE PORTÉE           | FLOWREGULATOR             | DURCHSTRÖMUNGSREGLER          |
| DRIVE TAV. 010 | 17   | RTCU900013 | CALOTTA D.10                        | ECROU D.10                     | NUT D.10                  | MUTTER D.10                   |
| DRIVE TAV. 010 | 18   | RTCU900012 | BICONO D.10                         | BICONE D.10                    | DOUBLE CONE D.10          | DOPPELKONUS D.10              |
| DRIVE TAV. 010 | 19   | RTFOC00520 | ELETTRIVALVOLA                      | SOUPAPE                        | ELECTRIC VALVE            | ELEKTROVENTIL                 |
| DRIVE TAV. 010 | 20   | 161508     | TUBO IN GOMMA                       | VITE FISSAGGIO GIRANTE         | FIXINGSCREW IMPELLER      | BEFESATIGUNGSSCHRAUBE LAUFRAD |
| DRIVE TAV. 010 | 21   | 161521     | TU.AB.VAPORI                        | TUYAU DÉTACHEMENT VAPEUR       | PIPE STEAM                | ROHR DAMPF                    |



FGM 110/L  
 FEM 110/L  
 FGM 610/L  
 FEM 610/L  
 FGM 210/L  
 FEM 210/L

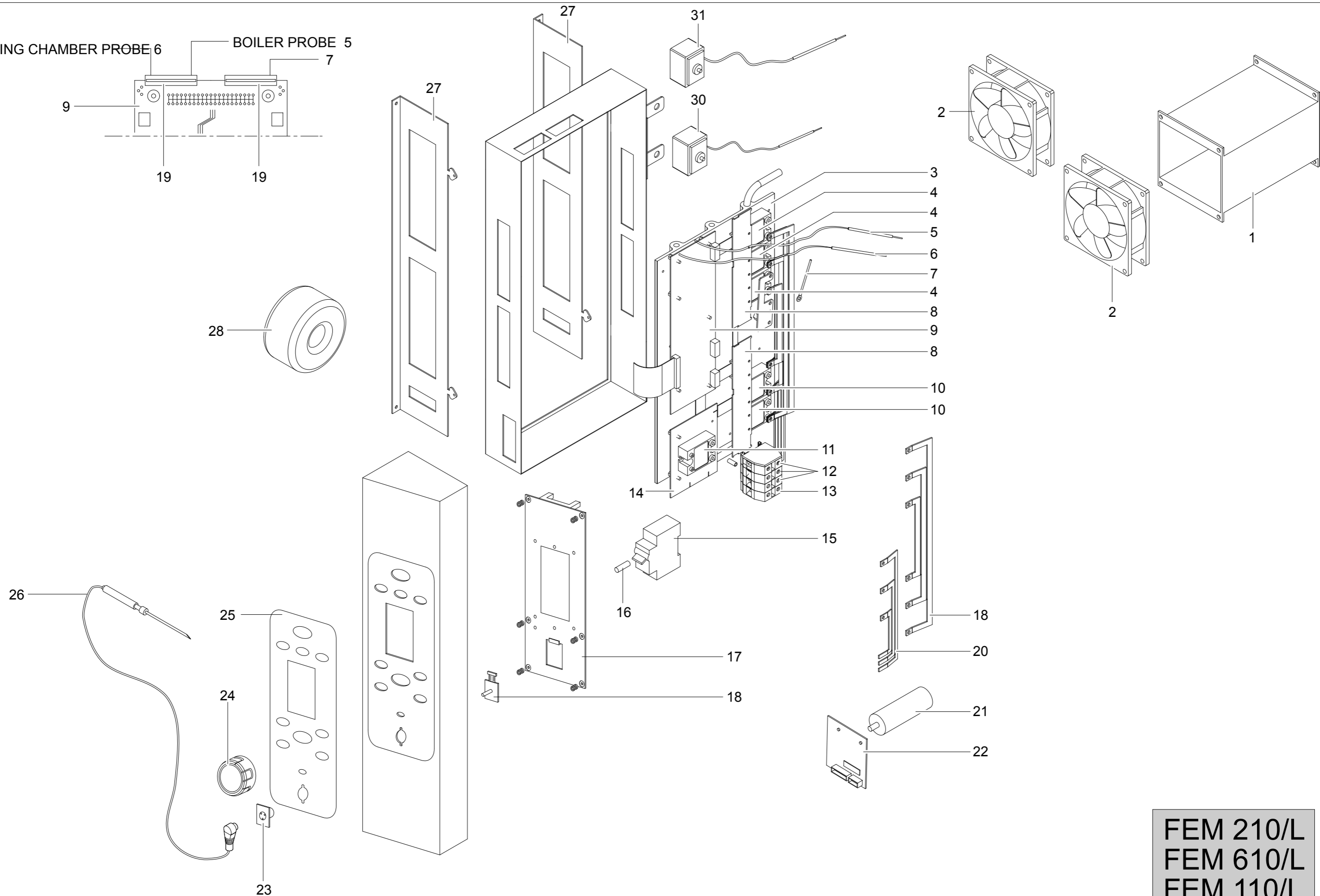
A= solo per FEM 210 - FGM 210

| TAVOLA         | POS. | CODICE     | ITALIANO                                           | FRANCESE                                   | INGLESE                       | TEDESCO               |
|----------------|------|------------|----------------------------------------------------|--------------------------------------------|-------------------------------|-----------------------|
| DRIVE TAV. 005 | 1    | 165283     | TU.AL.ROTORE LAV. F. (FEM110-FGM110-FEM610-FGM610) | TUYAU LAVAGE (FEM110-FGM110-FEM610-FGM610) | WASH ARM SUPPLY PIPE          | ZULEITUNG WASCHARM    |
| DRIVE TAV. 005 | 1A   | 165738     | TU.AL.ROTORE LAV. F. (FEM210 - FGM210)             | TUYAU LAVAGE (FEM210 - FGM210)             | WASH ARM SUPPLY PIPE          | ZULEITUNG WASCHARM    |
| DRIVE TAV. 005 | 2    | 165113     | CALOTTA ROTORE LAV.F.                              | CORPS DE TOURNIQUET                        | ROTOR COVER                   | HALTER WASCHARM       |
| DRIVE TAV. 005 | 3    | 165111     | ASSE ROTORE LAV.F.                                 | AXE DU TOURNIQUET                          | WASHING DRIVE SHAFT           | ACHSE                 |
| DRIVE TAV. 005 | 4    | 165116     | MOLLA ROTORE LAV.F.                                | RESSORT TOURNIQUET                         | SPRING ROTOR                  | FEDER                 |
| DRIVE TAV. 005 | 5    | 165110     | PERNO OTT.ROTORE LAV.F.                            | OBTURATEUR TOURNIQUET                      | ROTOR OBTURATOR               | BOLZEN                |
| DRIVE TAV. 005 | 6    | 165115     | BOCCOLA FIS.ASSE ROTORE LAV.F.                     | PALIER TOURNIQUET                          | BUSHING FIXING ROTOR          | BUCHSE                |
| DRIVE TAV. 005 | 7    | 165538     | GRUPPO SUP.BRACCI LAVAGGIO                         | TOURNIQUET                                 | WASH ARM                      | HAUPTTEIL WASCHARM    |
| DRIVE TAV. 005 | 8    | 165281     | UGELLO LAVAGGIO D1.5 F.HOBART                      | BUSE SPECIALE EXTREMITE                    | WASH INJECTOR DIAMETER 1,5 mm | DUSE                  |
| DRIVE TAV. 005 | 9    | 165279     | UGELLO LAVAGGIO F.HOBART 140019                    | BUSE                                       | WASH INJECTOR                 | DUSE                  |
| DRIVE TAV. 005 | 10   | 165112     | GHIERA BLOCCAGGIO ROTORE LAV.                      | ECROU DU TOURNIQUET                        | RING NUT ROTOR                | ABDECKSCHRAUBE        |
| DRIVE TAV. 005 | 11   | 165596     | E/VALV.N-A F.DRIVE+BOBINA RD263DVH+7701            | ELECTROVANNE                               | ELECTRIC VALVE                | MAGNETVENTIL          |
| DRIVE TAV. 005 | 12   | RTFOC00022 | E/VALVOLA FCV.1V.207038                            | ELECTROVANNE                               | ELECTRIC VALVE                | MAGNETVENTIL          |
| DRIVE TAV. 005 | 13   | RTFOC00626 | RACCORDO PORTAGOMMA                                | TETINE                                     | UNION RUBBER                  | ANSCHLUßSHTCK         |
| DRIVE TAV. 005 | 14   | 165633     | COLLETTORE LAV.F.DRIVE                             | NOURRICE EV LAVAGE                         | WASHING COLLECTOR             | VERTEILER             |
| DRIVE TAV. 005 | 15   | 165597     | FILTRO DI FONDO LAV.FORNO 9900106162               | EMBOUT FILTRE PRISE DETERGENT              | FILTER                        | ANSAUGFILTER          |
| DRIVE TAV. 005 | 16   | 165282     | SERBATOIO LAVAGGIO                                 | BOITE DE RUPTURE                           | WATER SOAP SEPARATOR TANK     | BEHALTER              |
| DRIVE TAV. 005 | 17   | 165791     | TUBO GOMMA/D.10X17 10ATM.EUROC                     | TUYAU SOUPLE 10Bars 10X17                  | RUBBER PIPE                   | SCHLAUCH              |
| DRIVE TAV. 005 | 18   | 165048     | E/VALV.DI RITEGNO                                  | CLAPET ANTI RETOUR                         | NON RETURN VALVE              | MAGNETVENTIL          |
| DRIVE TAV. 005 | 19   | 165280     | DOSATORE PERISTATICO                               | POMPE DE DOSAGE                            | DETERGENT PUMP                | DOSIERGERAT           |
| DRIVE TAV. 005 | 20   | 165290     | RACCORDO DOSAGGIO DET.LAV.F.9900107047             | RACCORD POMPE DE DOSAGE                    | DOSAGE CONNECTION             | ANSCHLUßWINKEL        |
| DRIVE TAV. 005 | 21   | 165503     | TU.INT.LAVAGGIO F.FGM610                           | TUBE LAVAGE ARRIERE F.FGM610               | PIPE                          | ANSCHLUßLEITUNG       |
| DRIVE TAV. 005 | 22   | 165665     | EROGATORE ACQ.LAV.INT.F.FGM610                     | BUSE LAVAGE ARRIERE                        | DISTRIBUTING WATER            | WASSERVERTEILER       |
| DRIVE TAV. 005 | 23   | 165285     | TU.PESCAGGIO DET.LAV.                              | TUYAU PRISE DETERGENT                      | DETERGENT PIPE                | SCHLAUCLE DOSIERGERAT |



COOKING CHAMBER PROBE 6

BOILER PROBE 5



FEM 210/L  
FEM 610/L  
FEM 110/L

| TAVOLA         | POS. | CODICE     | DESCRIZIONE                              | DESCRIPTION             | DESCRIPTION       | TITEL               |
|----------------|------|------------|------------------------------------------|-------------------------|-------------------|---------------------|
| DRIVE TAV. 004 | 1    | GAFOC00118 | AS.CONV.CALORE FEM109                    | CONVOYER CHALEUR        | HEAT CONVEYOR     | WARMEVENTILATOR     |
| DRIVE TAV. 004 | 2    | RTFOC00254 | VENT.CALORE FEM109                       | VENTILATEUR CHALEUR     | HEATFAN           | WARMEVENTILATOR     |
| DRIVE TAV. 004 | 3    | 1235150    | RADIATORE                                | RADIATEUR               | RADIATOR          | HEIZKÖRPER          |
| DRIVE TAV. 004 | 4    | RIC0003592 | RELAIS DI POTENZA                        | RELAIS                  | RELAY             | RELAIS              |
| DRIVE TAV. 004 | 5    | 164484     | T/COPPIA 6X100 K F.HOBART MBM00018       | THERMOCOUPLE            | THERMOCOUPLE      | THERMOELEMENT       |
| DRIVE TAV. 004 | 6    | 164729     | T/COPPIA 52 K F.HOBART MBM00017          | THERMOCOUPLE            | THERMOCOUPLE      | THERMOELEMENT       |
| DRIVE TAV. 004 | 7    | 164730     | T/COPPIA AD OCCHIELLO                    | THERMOCOUPLE            | THERMOCOUPLE      | THERMOELEMENT       |
| DRIVE TAV. 004 | 8    | 164492     | SCHEDA POTENZA                           | CARTE DE PUISSANCE      | POWER SCHEME      | SCHALTPLAN POTENZ   |
| DRIVE TAV. 004 | 9    | 164491     | SCHEDA CPU                               | SCHEDA                  | SCHEME            | SCHALTPLAN          |
| DRIVE TAV. 004 | 10   | RIC0003592 | RELAIS                                   | RELAIS                  | RELAY             | RELAIS              |
| DRIVE TAV. 004 | 11   | RIC0003591 | RELAIS STATICO                           | RELAIS                  | RELAY             | RELAIS              |
| DRIVE TAV. 004 | 12   | RIC0003594 | MORSETTIERA NEUTRO                       | CONNECTION DES CABLES   | TERMINAL BOARD    | KLEMMBRETT          |
| DRIVE TAV. 004 | 13   | RIC0003595 | MORSETTIERA                              | CONNECTION DES CABLES   | TERMINAL BOARD    | KLEMMBRETT          |
| DRIVE TAV. 004 | 14   | 164826     | SCHEDA MOTORE                            | SCHEDA                  | SCHEME            | SCHALTPLAN          |
| DRIVE TAV. 004 | 15   | RIC0003606 | MAGNETO TERMICO                          | INTERRUPTEUR MAGNETIQUE | SWITCH            | SCHALTER            |
| DRIVE TAV. 004 | 16   | RIC0003609 | FUSIBILE 10A RITARDATO                   | FUSIBLE 10A             | FUSIBLE 10A       | SICHERUNG 10A       |
| DRIVE TAV. 004 | 17   | 164793     | SCHEDA EL.COMANDI DGT.FEM110             | CARTE DE COMMANDE       | ELECTRIC SCHEME   | SCHALTPLAN          |
| DRIVE TAV. 004 | 18   | 164825     | SCHEDA EL.ENCODER F.FEM110               | SCHEDA                  | SCHEME            | SCHALTPLAN          |
| DRIVE TAV. 004 | 19   | RIC0003608 | BARRE ELETTRICHE PLASTIFICATE CONV.63    | BARRE ELECTRIQUE        | ELECTRIC BAR      | ELEKTRISCHER STAB   |
| DRIVE TAV. 004 | 20   | RIC0003607 | BARRE ELETTRICHE PLASTIFICATE ALIM.63    | BARRE ELECTRIQUE        | ELECTRIC BAR      | ELEKTRISCHER STAB   |
| DRIVE TAV. 004 | 21   | RTFOC00256 | CONDENSATORE FCVEM CRU26231943 0,12 MIC. | CONDENSATEUR            | CONDENSATOR       | KONDENSATOR         |
| DRIVE TAV. 004 | 22   | 164493     | SCHEDA INVERSIONE ROTAZIONE MOTORE       | SCHEDA                  | SCHEME            | SCHALTPLAN          |
| DRIVE TAV. 004 | 23   | 164502     | CONNETTORE SONDA F.HOBART MBM00021       | CONNECTEUR              | CONNECTOR         | VERBINDUNG          |
| DRIVE TAV. 004 | 24   | 164794     | MANOP.COM.F.SERIE DRIVE                  | BOUTON                  | KNOB              | GRIFF               |
| DRIVE TAV. 004 | 25   | 165056     | MASCHER.CRUS.FEM610                      | MASQUE TABLEAU          | COVER DASH BOARD  | ABDECKUNGSTIRNBRETT |
| DRIVE TAV. 004 | 26   | 164501     | SONDA C/DIAM 4X100 K MBM00019            | SONDE                   | PROBE             | SONDE               |
| DRIVE TAV. 004 | 27   | 166012     | SUPPORTO                                 | SUPPORT                 | SUPPORT           | HALTERUNG           |
| DRIVE TAV. 004 | 28   | 164498     | TRASF.ROT.165VA+ROND.F.HOBART TT01228A   | TRANSFORMATEUR          | TRASFORMATOR      | TRASFORMATOR        |
| DRIVE TAV. 004 | 29   | RIC0003599 | CONNETTORE 8 PIN                         | CONNECTEUR              | CONNECTOR         | VERBINDUNG          |
| DRIVE TAV. 004 | 30   | RTFOC00483 | T.L.FCV/1T350 5510562800                 | THERMOSTAT LIMITEUR     | THERMOSTAT LIMIT. | LIMIT THERMOSTAT    |
| DRIVE TAV. 004 | 31   | RTFOC00173 | T.L.FEM061/T120 5510522835               | THERMOSTAT LIMITEUR     | THERMOSTAT LIMIT. | LIMIT THERMOSTAT    |