

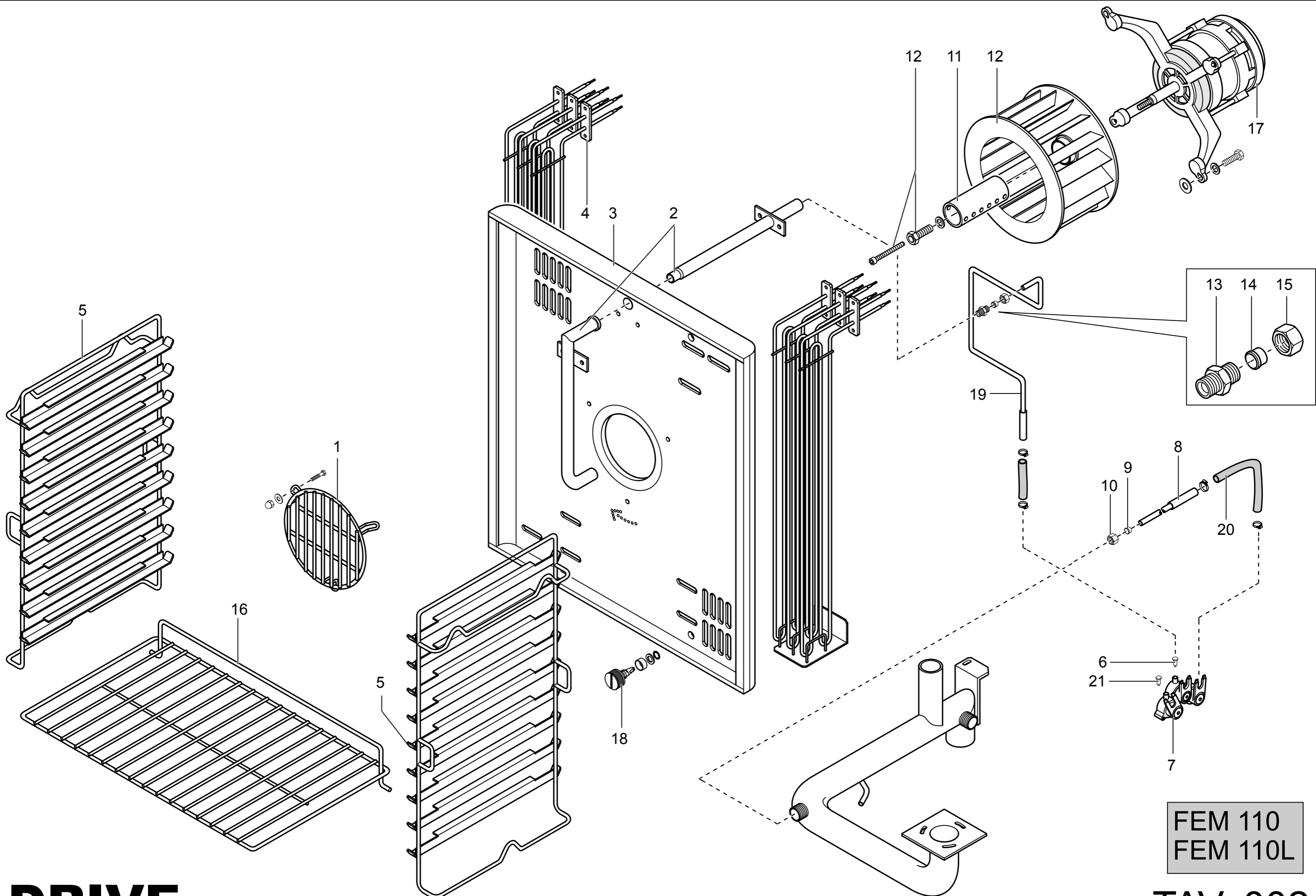
DRIVE

FEM 110/L
FGM 110/L

TAV. 001

A= solo per FGM 110

TAVOLA	POS.	CODICE	ITALIANO	FRANCESE	INGLESE	TEDESCO
DRIVE TAV. 001	1	GAFOC00030	AS.CERN.SUP.SX P.F.	CHARNIÈRE SUPÉRIEURE GAUCHE	INGE PIN SUPER.LEFT	TÜRANGEL OBEN LINKS
DRIVE TAV. 001	1-1	GAFOC00213	AS.CERN.SUP.DX P.F.	CHARNIÈRE SUPÉRIEURE DROITE	INGE PIN SUP. RIGHT	TÜRANGEL RECHTS
DRIVE TAV. 001	2	161169	GR. VETRO INT. SX/DX	C/PORTE DU FOUR GAUCHE	C/OVEN DOOR LEFT	C/OFENTÜR LINKS
DRIVE TAV. 001	3	161161	AS.PORTA FORNO.SX	PORTE DU FOUR GAUCHE	OVEN DOOR LEFT	OFENTÜR LINKS
DRIVE TAV. 001	3-1	161570	AS.PORTA FORNO.DX	PORTE DU FOUR DROITE	OVEN DOOR RIGHT	OFENTÜR RECHTS
DRIVE TAV. 001	4	161172	VETRO ESTERNO SX/DX	VERRE EXTER GAUCHE/DROITE	EXTERNAL GASKET LEFT/RIGHT	EXTERNER GLAS RECHTS/LINKE
DRIVE TAV. 001	5	161114	ASS. CASS. FORNO FEM110	CAISSON	BODY	SCHUBLADE
DRIVE TAV. 001	5A	161082	ASS. CASS. FORNO FGM110	CAISSON	BODY	SCHUBLADE
DRIVE TAV. 001	6	PAFOC00583	CERN.INF.P.F.DX	CHARNIÈRE INFÉRIEUR DROITE PORTE DU FOUR	INGE PIN INF. RIGHT	TÜRANGEL INF. RECHTS
DRIVE TAV. 001	6-1	161387	CERN.INF.P.F.SX	CHARNIÈRE INFÉRIEUR GAUCHE PORTE DU FOUR	INGE PIN INFER.LEFT	TÜRANGEL UNTENLINKS
DRIVE TAV. 001	7	160912	MANIGLIA	POIGNÉE	HANDLE	HANDGRIFF
DRIVE TAV. 001	8	RTFOC00338	ANELLO EST.MAN.P.F.	ANNEAU EXT. POIGNÉE PORTE DU FOUR	OUTWARD RING OVEN DOOR HANDLE	HANDGRIFF
DRIVE TAV. 001	9	160911	BASETTA MANIGLIA	EPAISSEUR POIGNÉE	HANDLE	HANDGRIFF
DRIVE TAV. 001	10	RTFOC00337	ANELLO INT.GRADINO MAN.P.F.	ANNEAU INTERIEUR EPAISSEUR	INNER RING	INNENRING
DRIVE TAV. 001	11	161597	AS. CASSETTO SX INT. P.F.	GROUPE BASSIN GAUCHE	UNIT DRAWER LEFT	GRUPPE SCHUBLADE LINKE
DRIVE TAV. 001	11-1	161600	AS. CASSETTO DX INT. P.F.	GROUPE BASSIN DROITE	UNIT DRAWER RIGHT	GRUPPE SCHUBLADE RECHTS
DRIVE TAV. 001	12	161135	AS.CASSETTO SX	BASSIN GAUCHE	TRAY LEFT	SCHUBLADE LINKS
DRIVE TAV. 001	12-1	161574	AS.CASSETTO DX	BASSIN DROITE	TRAY RIGHT	SCHUBLADE RECHTS
DRIVE TAV. 001	13	RTFOC00413	PIEDINO+T. OTTAG.FGC065/87,5	PIED	FOOT	FUSS
DRIVE TAV. 001	14	RTFOC00711	MICROINT.FCV.	MICRO-INTERRUPTEUR PORTE DU FOUR	MICRO OVEN DOOR	MIKRO OFENTÜR
DRIVE TAV. 001	15	165073	AS.CRUSCOTTO	PANNEAU DE CONTRÔLE	CONTROL PANEL	STIRNBRETT
DRIVE TAV. 001	16	PAFOC00542	FIANCO DX	CÔTÉ DROITE	RIGHT SIDE	RECHTE SEITE
DRIVE TAV. 001	17	165074	POSTERIORE INOX	PANNEAU POSTERIEUR	BACK PANEL	HINTEN
DRIVE TAV. 001	18	161208	AS.COPERCHIO FEM110	COUVERCLE EXT.	COVER EXT.	ABDECKUNG
DRIVE TAV. 001	18A	161206	AS.COPERCHIO FGM110	COUVERCLE EXT.	COVER EXT.	ABDECKUNG
DRIVE TAV. 001	19	PAFOC00543	FIANCO SX	CÔTÉ GAUCHE	LEFT SIDE	LINKE SEITE
DRIVE TAV. 001	20	161502	AS. GHIERA BLOCCO VETRO	GROUPE BAGUE BLOCAGE VERRE	UNIT LUCKING GLASS NUT	GRUPPE GEFESTIGUNGSMUTTER GLAS
DRIVE TAV. 001	21	GAFOC00027	AS.C/FORO CASS.	COUVRE TROU	PLUG	LOCHABDECKUNGSPFROPFEN
DRIVE TAV. 001	22	RTFOC00555	AT.GRIGLIA LAT.F.	ATTAQUE GRILLE LATÉRALE	GRILL CONNECTION SIDE	GRILLAUFPLAGE SEITE
DRIVE TAV. 001	23	RTFOC00197	MOTORIDUTTORE	DÉMARREUR	MOTOR	MOTOR
DRIVE TAV. 001	24	RTFOC00192	ALBERO SCARICO	ARBRE	SHAFT	WELLE
DRIVE TAV. 001	25	RTFOC00198	MICROINTERRUTTORE	MICRO-INTERRUPTEUR	MICROSWITCH	MIKROSWALTER
DRIVE TAV. 001	26	RTFOC00553	ASTA SCARICO CONDENSA	BARRE TRANSVERSAL	ROD TRANSVERS.	STAB
DRIVE TAV. 001	27	PAFOC00680	DISCO INF.SCARICO COND.	DISQUE INFÉRIEUR DÉCHARGÉ	DISC INFER. OUTLET	SCHEIBE UNTEN AUSGANG
DRIVE TAV. 001	28	RTFOC00382	*CORNICI FIS.VETRO P/LAMP.	CADRE DU PORTELAMPE	MOULDING P/LAMP	UMRAHMUNG P/LAMPE
DRIVE TAV. 001	29	161283	GUARNIZIONE P/LAMPADA	GARNITURE DU PORTELAMPE	GASKET P/LAMP	DICHTUNG P/LAMPE
DRIVE TAV. 001	30	RTFOC00201	*VETRO P/LAMPADA	VERRE DU PORTELAMPE	GLASS P/LAMP	GLAS P/LAMPE
DRIVE TAV. 001	31	161281	PORTA LAMPADA	PORTELAMPE	DOOR LAMP	PORTA LAMPE
DRIVE TAV. 001	32	161282	LAMPADA	LAMPE	LAMP	LAMPE
DRIVE TAV. 001	33	RTFOC00009	GANCIO	CROCHET	HOOK	HAKEN
DRIVE TAV. 001	34	RTFOC00005	ZOCCOLO ESTERNO	GODET EXTÉRIEUR	OUTWARD BASE	SOCKEL AUSSEN
DRIVE TAV. 001	35	161513	MOLLA FERMO GHIERA	RESSORT DE LA SERRURE DU VIROLE	FERRULE LOCK SPRING	FEDER DES MUTTER-SCHLOSSES
DRIVE TAV. 001	36	RTMIN00114	DADO CECO M6	ECROU	NUT	MUTTER
DRIVE TAV. 001	37	161581	AS. PROTEZIONE SERRATURA DX	GROUPE PROTECTION SERRURE DROITE	UNIT RIGHT LOCK PROTECTION	GRUPPE SHUTZSCHLOSS RECHTZ
DRIVE TAV. 001	37-1	161166	AS. PROTEZIONE SERRATURA SX	GROUPE PROTECTION SERRURE GAUCHE	UNIT LEFT LOCK PROTECTION	GRUPPE SHUTZSCHLOSS LINKE
DRIVE TAV. 001	38	161411	GUARNIZIONE CRUSCOTTO	GARNITURE PANNEAU DE CONTRÔLE	CONTROL PANEL GASKET	DICHTUNGSTIRNBRETT
DRIVE TAV. 001	39	RTFOC00722	GUARNIZIONE FACCIATA	GARNITURE DEVANTURE	GASKET FACE	DICHTUNG OFENVORDERWAND
DRIVE TAV. 001	41	161477	DISTANZIALE GOMMINO P.F.	BOUCHON DE LA PORTE	DOOR RUBBER CAP	TÜR GUMMI
DRIVE TAV. 001	42	RTFOC00057	ZOCCOLO CENTRALE	GODET CENTRAL	CENTRAL BASE	SOCKEL ZENTRAL
DRIVE TAV. 001	43	GAFOC00051	SERRATURA	SERRURE	LOCK	SCHLOSS
DRIVE TAV. 001	44	RTFOC00301	ANELLO TENUTA ALB.MOT.FGC100	ANNEAU	RING	RING
DRIVE TAV. 001	45A	RTFOC00227	CAMINO SUP.FGM101	CHEMINÉE SUPÉRIEURE	UPPER CHIMNEY	OBERER SCHORNSTEIN
DRIVE TAV. 001	46A	AFC0000012	CAMINO ANTIVENTO	CHEMINÉE ANTIVENT	CHIMNEY	KAMIN WINDSCHUTZ
DRIVE TAV. 001	47	PAFOC00329	DISCO SCARICO COND.FEC200	DISQUE DÉCHARGÉ	DISK OUTLET	SCHEIBE AUSGANG
DRIVE TAV. 001	48	RTFOC00514	DISTANZ.INF/SUP SERR.FGC060/1	ENTRTOISE	SPACER	DISTANZSTÜCK
DRIVE TAV. 001	49	RTFOC00515	DISTANZ.CENT.SERR.FGC060/1	ENTRTOISE	SPACER	DISTANZSTÜCK

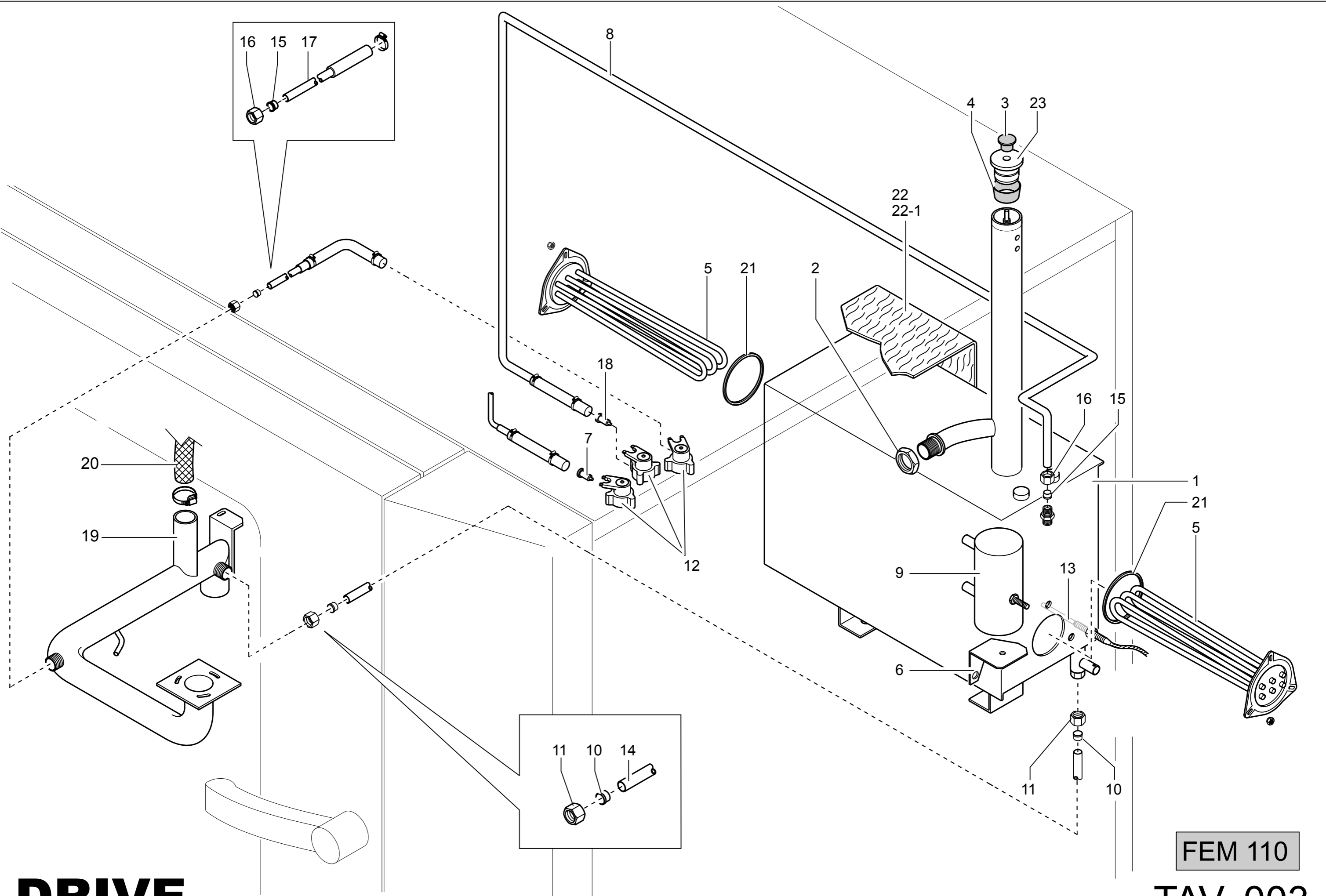
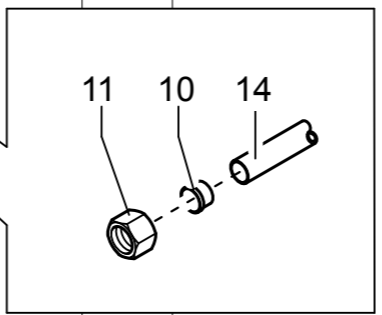
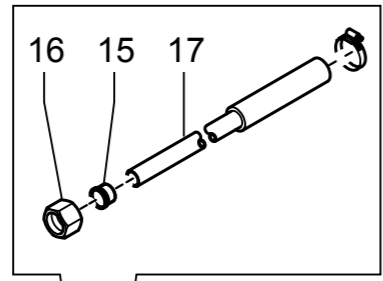


DRIVE

FEM 110
FEM 110L

TAV. 002

TAVOLA	POS.	CODICE	ITALIANO	FRANCESE	INGLESE	TEDESCO
DRIVE TAV. 002	1	RTFOC00174	GRIGLIA PROT.VENT.	GRILLE DE PROTECTION	GRILL IMPELLER PROTECTION	SCHUTZGITTER SCHORNSTEIN
DRIVE TAV. 002	2	RTFOC00492	TU.UMIDIFICATORE	HUMIDIFICATEUR	HUMIDIFIER	BEFEUCHTER
DRIVE TAV. 002	3	161182	CONV.ARIA	CONVOYEUR DE L'AIR	CHIMNEY	SCHORNSTEIN
DRIVE TAV. 002	4	RTFOC00068	RESISTENZA ELET. 2,5KW	RESISTANCE ELET. 2,5KW	RESISTANCE ELET. 2,5KW	WIDERSTAND ELET. 2,5KW
DRIVE TAV. 002	5	RTFOC00527	GRIGLIA LAT. 10GR 1/1	GRILLE LATÉRALE DROITE -GAUCHE	GRILL SIDERIGHT -LEFT	GRILL SEITERECHTS -LINKS
DRIVE TAV. 002	6	RTFOC00120	REGOLAT.E/VALV.FCV.ROSSO/0,25	REGULATEUR DE PORTÉE	FLOWREGULATOR	DURCHSTRÖMUNGSREGLER
DRIVE TAV. 002	7	RTFOC00520	ELETTROVALVOLA	SOUPAPE	ELECTRIC VALVE	ELEKTROVENTIL
DRIVE TAV. 002	8	161521	TU.AB.VAPORI	TUYAU DÉTACHEMENT VAPEUR	PIPE STEAM	ROHR DAMPF
DRIVE TAV. 002	9	RTCU900012	BICONO D.10	BICONE D.10	DOUBLE CONE D.10	DOPPELKONUS D.10
DRIVE TAV. 002	10	RTCU900013	CALOTTA D.10	ECROU D.10	NUT D.10	MUTTER D.10
DRIVE TAV. 002	11	161553	NEBULIZZATORE	NÉBULISATEUR	DISTRIBUTOR	ZERSTÄUBER
DRIVE TAV. 002	12	161274	GIRANTE VENT.10G D.270 P.R.	MOBILE 50HZ	IMPELLER 50HZ	LAUFRAD 50HZ
DRIVE TAV. 002	13	RTFOC00557	INIET.UMIDIF.FCV D.1.5	INJECTEUR HUMIDIFICATEUR	INJECTOR HUMIDIFIER	EINSPRITZER BEFEUCHTER
DRIVE TAV. 002	14	RTCU900018	BICONO D.6	BICONE POUR TUBE Ø 6	BICONE FOR PIPE Ø 6	ZWEIKEGEL Ø 6
DRIVE TAV. 002	15	RTFOC00020	CALOTTA UMIDIF.	ECROU	NUT	MUTTER
DRIVE TAV. 002	16	RTFOC00175	GRIGLIA FORNO GN 1/1	GRILLE DU FOUR GN 1/1	GRILL OVEN GN 1/1	GRILL HERD GN 1/1
DRIVE TAV. 002	17	165077	MOTORE VENT.FEC100	MOTEUR	MOTOR	MOTOR
DRIVE TAV. 002	18	RTFOC00334	AT.RAPIDO	ATTAQUE RAPIDE	CONNECTION	SCHNELLANSCHLUSS
DRIVE TAV. 002	19	RTFOC00750	TU.AL.ACQ.UMIDIF.	TUBE HUMIDIFICATEUR	PIPE HUMIDIFIER	ROHR BEFEUCHTER
DRIVE TAV. 002	20	161508	TUBO IN GOMMA	VITE FISSAGGIO GIRANTE	FIXINGSCREW IMPELLER	BEFESATIGUNGSSCHRAUBE LAUFRAD
DRIVE TAV. 002	21	RTFOC00145	REGOLAT.E/VALV.FCV.BIANCO/1,2 99208	REGULATEUR DE PORTÉE	FLOWREGULATOR	DURCHSTRÖMUNGSREGLER



DRIVE

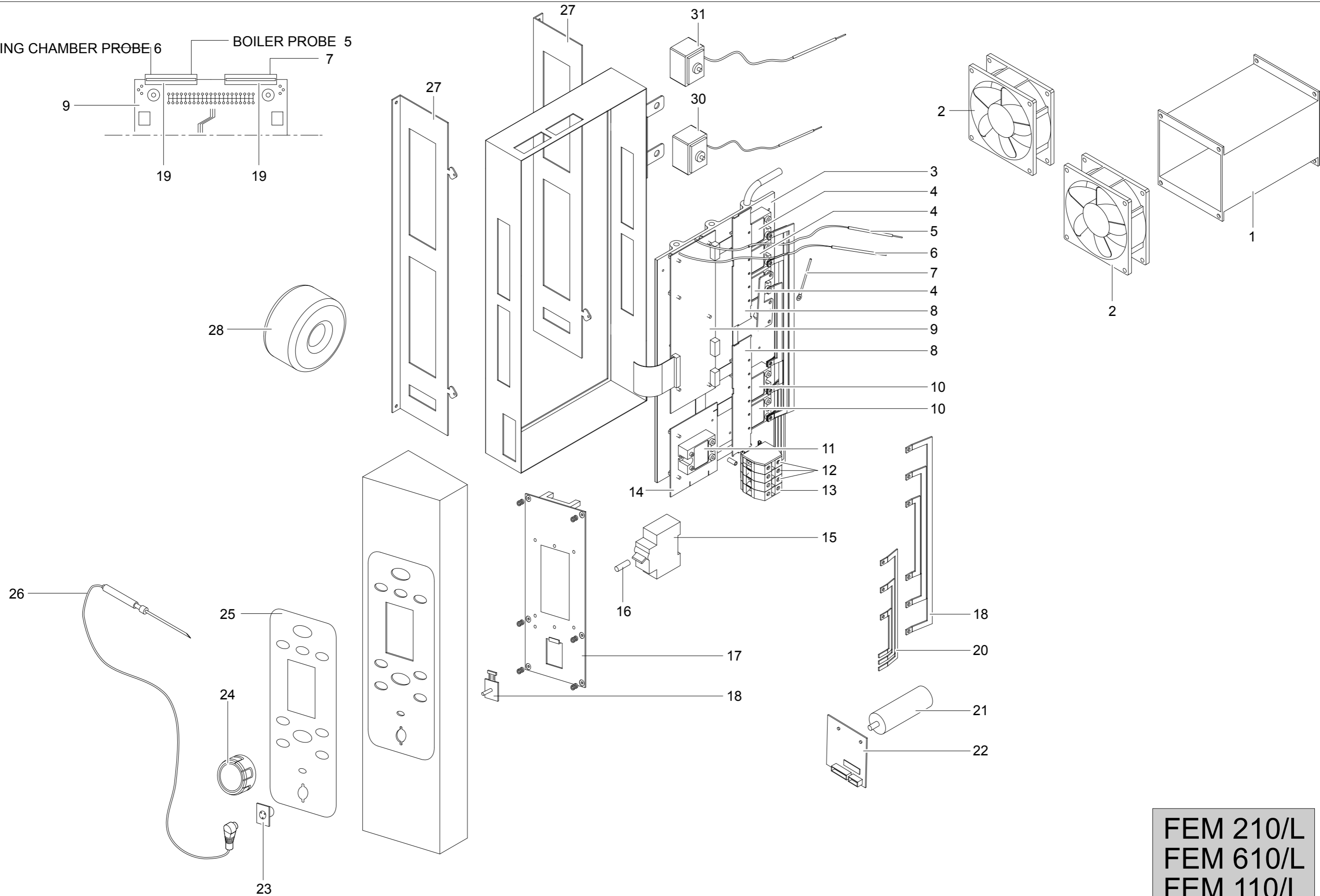
FEM 110

TAV. 003

TAVOLA	POS.	CODICE	ITALIANO	FRANCESE	INGLESE	TEDESCO
DRIVE TAV.003	1	165081	BOYLER E.	BOILER	BOILER	BOILER
DRIVE TAV.003	2	RTFOC00186	DADO 3/4"ES.	ECROU3/4"	NUT 3/4"	MUTTER 3/4"
DRIVE TAV.003	3	161660	MANOP.COND.	BOUTON	KNOB	DREHGRIFF
DRIVE TAV.003	4	RTFOC00213	GUARNIZ.	GARNITURE	GASKET	DICHTUNG
DRIVE TAV.003	5	RTFOC00523	RESISTENZA KW6	RESISTANCE	RESISTANCE	WIEDERSTAND
DRIVE TAV.003	6	162282	SQUADRETTA FISS. LIVELLO	EGUERRE	BRACKET	STEUERTAFEL
DRIVE TAV.003	7	RTFOC00120	REGOLATORE PORTATA ROSSO	REGULATEUR DE PORTÉE	FLOW REGULATOR	DURCHFLUSSREGLER
DRIVE TAV.003	8	165083	TU.AL.ACQ.BOYLER	TUBE DE CHARGEMENT DE L'EAU	WATER FEEDING TAP	VERSORGUNGSROHR
DRIVE TAV.003	9	164518	REGOLATORE DI LIVELLO	REGULATEUR	REGULATOR	REGLER
DRIVE TAV.003	10	RTCP900088	BICONO D.14	BICONE	DOUBLE CONE	DOPPELKONUS
DRIVE TAV.003	11	RTCP900089	CALOTTA OT.D.14	ECROU	NUT	MUTTER
DRIVE TAV.003	12	RTFOC00520	E/VALVOLA FCV.3V.209035	SOUPAPE	ELECTRIC VALVE	ELEKTROVENTIL
DRIVE TAV.003	13	164484	TERMOCOPPIA	THERMOCOUPLE	THERMCOPPIA	WAERMEPAAR
DRIVE TAV.003	14	165082	TU.SCARICO ACQ.BOY.	TUBE DE DECHARGE DE L'EAU	WATER DISCHARGE PIPE	WASSERABLAUSSROHR
DRIVE TAV.003	15	RTCU900012	BICONO D.10	BICONE POUR TUYAU Ø 10	BICONE Ø10	ZWEIKEGEL Ø10
DRIVE TAV.003	16	RTCU900013	CALOTTA D.10	ECROU	NUT	MUTTER
DRIVE TAV.003	17	161521	TUBO ABBAT. VAPORE	TUYAU DÉTACHEMENT VAPEUR	PIPE STEAM	ROHR DAMPF
DRIVE TAV.003	18	RTFOC00145	REGOL. DI PORTATA BOILER 1,2 L/M (BIANCO)	REGULATEUR DE PORTÉE BOILER 1,2 L/M (BLANC)	BOILER FLOW REGULATOR 1,2 L/MIN (WHITE)	DURCHFLUSSREGLER BOILER 1,2 L/M (BIRNE)
DRIVE TAV.003	19	161212	RAMPA SC.COND.	RAMPE DU DÉCHARGEMENT CONDENSE	RAMP OUTLET COND.	DUNSTHAUBE
DRIVE TAV.003	20	161508	TUBO GOMMA	TUBE EN CAOUTCHAUC	RUBBER PIPE	ROHR GUMMI
DRIVE TAV.003	21	RIC0003729	GUARNIZ.REISTENZA BOYLER	GARNITURE	GASKET	DICHTUNG
DRIVE TAV.003	22	165660	ISOLANTE ESTERNO BOYLER	PROFIL ISOLANT	INSULATING BAND	ISOLIERPROFIL
DRIVE TAV.003	22-1	165663	ISOLANTE INTERNO BOYLER	PROFIL ISOLANT	INSULATING BAND	ISOLIERPROFIL
DRIVE TAV.003	23	RTFOC00212	VALVOLA PESO	VALVE	VALVE	VENTIL

COOKING CHAMBER PROBE 6

BOILER PROBE 5



FEM 210/L
FEM 610/L
FEM 110/L

TAVOLA	POS.	CODICE	DESCRIZIONE	DESCRIPTION	DESCRIPTION	TITEL
DRIVE TAV. 004	1	GAFOC00118	AS.CONV.CALORE FEM109	CONVOYER CHALEUR	HEAT CONVEYOR	WARMEVENTILATOR
DRIVE TAV. 004	2	RTFOC00254	VENT.CALORE FEM109	VENTILATEUR CHALEUR	HEATFAN	WARMEVENTILATOR
DRIVE TAV. 004	3	1235150	RADIATORE	RADIATEUR	RADIATOR	HEIZKÖRPER
DRIVE TAV. 004	4	RIC0003592	RELAIS DI POTENZA	RELAIS	RELAY	RELAIS
DRIVE TAV. 004	5	164484	T/COPPIA 6X100 K F.HOBART MBM00018	THERMOCOUPLE	THERMOCOUPLE	THERMOELEMENT
DRIVE TAV. 004	6	164729	T/COPPIA 52 K F.HOBART MBM00017	THERMOCOUPLE	THERMOCOUPLE	THERMOELEMENT
DRIVE TAV. 004	7	164730	T/COPPIA AD OCCHIELLO	THERMOCOUPLE	THERMOCOUPLE	THERMOELEMENT
DRIVE TAV. 004	8	164492	SCHEDA POTENZA	CARTE DE PUISSANCE	POWER SCHEME	SCHALTPLAN POTENZ
DRIVE TAV. 004	9	164491	SCHEDA CPU	SCHEDA	SCHEME	SCHALTPLAN
DRIVE TAV. 004	10	RIC0003592	RELAIS	RELAIS	RELAY	RELAIS
DRIVE TAV. 004	11	RIC0003591	RELAIS STATICO	RELAIS	RELAY	RELAIS
DRIVE TAV. 004	12	RIC0003594	MORSETTIERA NEUTRO	CONNECTION DES CABLES	TERMINAL BOARD	KLEMMBRETT
DRIVE TAV. 004	13	RIC0003595	MORSETTIERA	CONNECTION DES CABLES	TERMINAL BOARD	KLEMMBRETT
DRIVE TAV. 004	14	164826	SCHEDA MOTORE	SCHEDA	SCHEME	SCHALTPLAN
DRIVE TAV. 004	15	RIC0003606	MAGNETO TERMICO	INTERRUPTEUR MAGNETIQUE	SWITCH	SCHALTER
DRIVE TAV. 004	16	RIC0003609	FUSIBILE 10A RITARDATO	FUSIBLE 10A	FUSIBLE 10A	SICHERUNG 10A
DRIVE TAV. 004	17	164793	SCHEDA EL.COMANDI DGT.FEM110	CARTE DE COMMANDE	ELECTRIC SCHEME	SCHALTPLAN
DRIVE TAV. 004	18	164825	SCHEDA EL.ENCODER F.FEM110	SCHEDA	SCHEME	SCHALTPLAN
DRIVE TAV. 004	19	RIC0003608	BARRE ELETTRICHE PLASTIFICATE CONV.63	BARRE ELECTRIQUE	ELECTRIC BAR	ELEKTRISCHER STAB
DRIVE TAV. 004	20	RIC0003607	BARRE ELETTRICHE PLASTIFICATE ALIM.63	BARRE ELECTRIQUE	ELECTRIC BAR	ELEKTRISCHER STAB
DRIVE TAV. 004	21	RTFOC00256	CONDENSATORE FCVEM CRU26231943 0,12 MIC.	CONDENSATEUR	CONDENSATOR	KONDENSATOR
DRIVE TAV. 004	22	164493	SCHEDA INVERSIONE ROTAZIONE MOTORE	SCHEDA	SCHEME	SCHALTPLAN
DRIVE TAV. 004	23	164502	CONNETTORE SONDA F.HOBART MBM00021	CONNECTEUR	CONNECTOR	VERBINDUNG
DRIVE TAV. 004	24	164794	MANOP.COM.F.SERIE DRIVE	BOUTON	KNOB	GRIFF
DRIVE TAV. 004	25	165056	MASCHER.CRUS.FEM610	MASQUE TABLEAU	COVER DASH BOARD	ABDECKUNGSTIRNBRETT
DRIVE TAV. 004	26	164501	SONDA C/DIAM 4X100 K MBM00019	SONDE	PROBE	SONDE
DRIVE TAV. 004	27	166012	SUPPORTO	SUPPORT	SUPPORT	HALTERUNG
DRIVE TAV. 004	28	164498	TRASF.ROT.165VA+ROND.F.HOBART TT01228A	TRANSFORMATEUR	TRASFORMATOR	TRASFORMATOR
DRIVE TAV. 004	29	RIC0003599	CONNETTORE 8 PIN	CONNECTEUR	CONNECTOR	VERBINDUNG
DRIVE TAV. 004	30	RTFOC00483	T.L.FCV/1T350 5510562800	THERMOSTAT LIMITEUR	THERMOSTAT LIMIT.	LIMIT THERMOSTAT
DRIVE TAV. 004	31	RTFOC00173	T.L.FEM061/T120 5510522835	THERMOSTAT LIMITEUR	THERMOSTAT LIMIT.	LIMIT THERMOSTAT