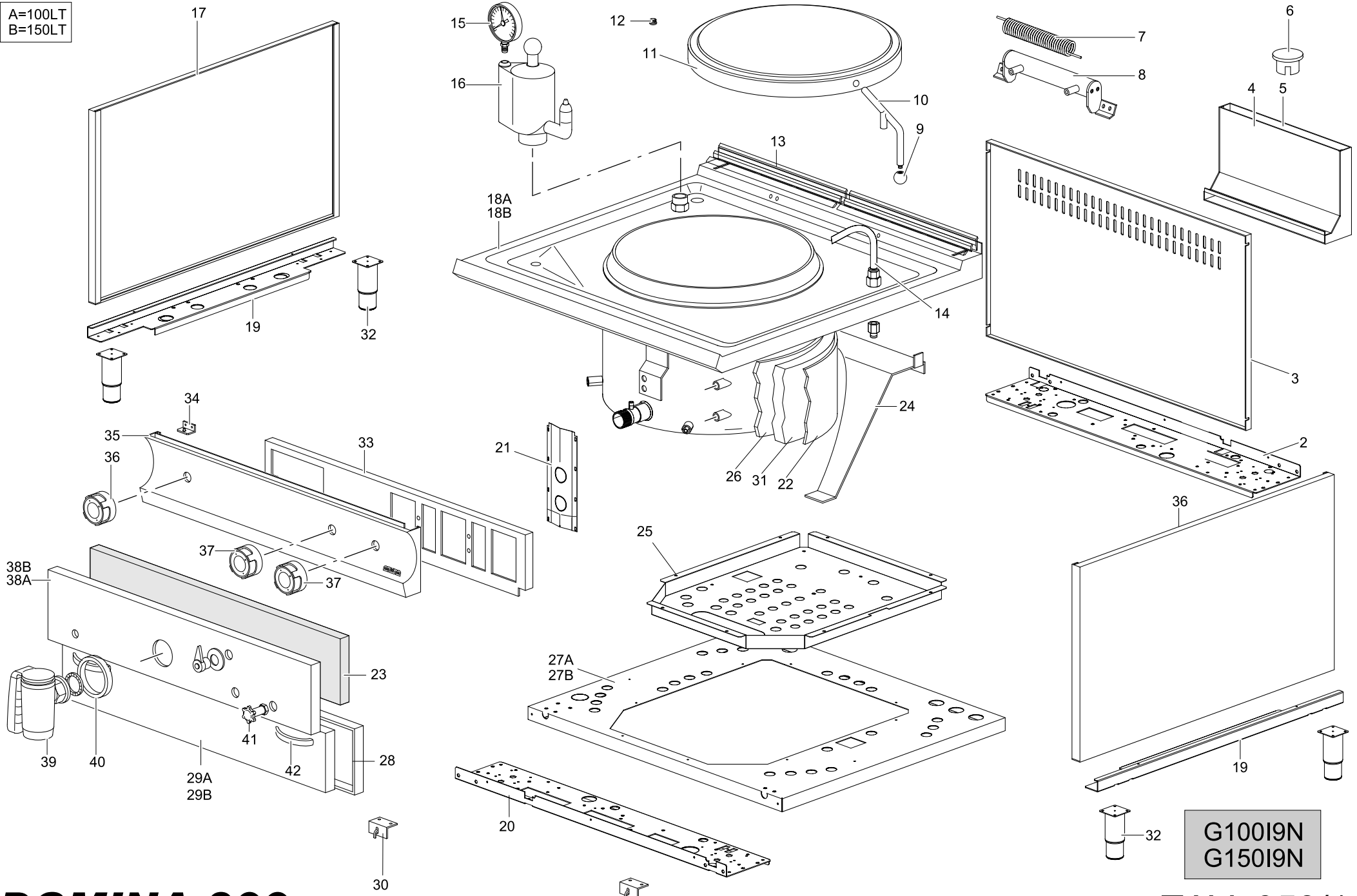


A=100LT  
B=150LT

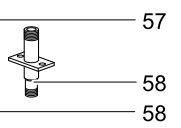
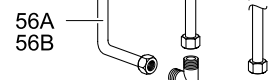
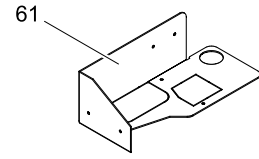
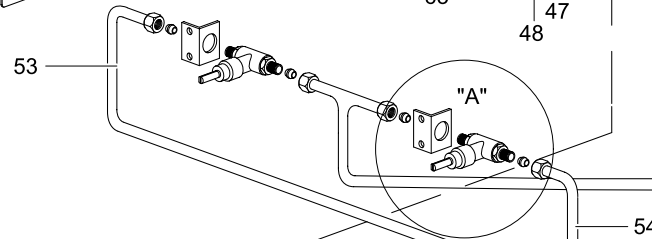
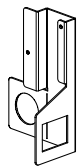
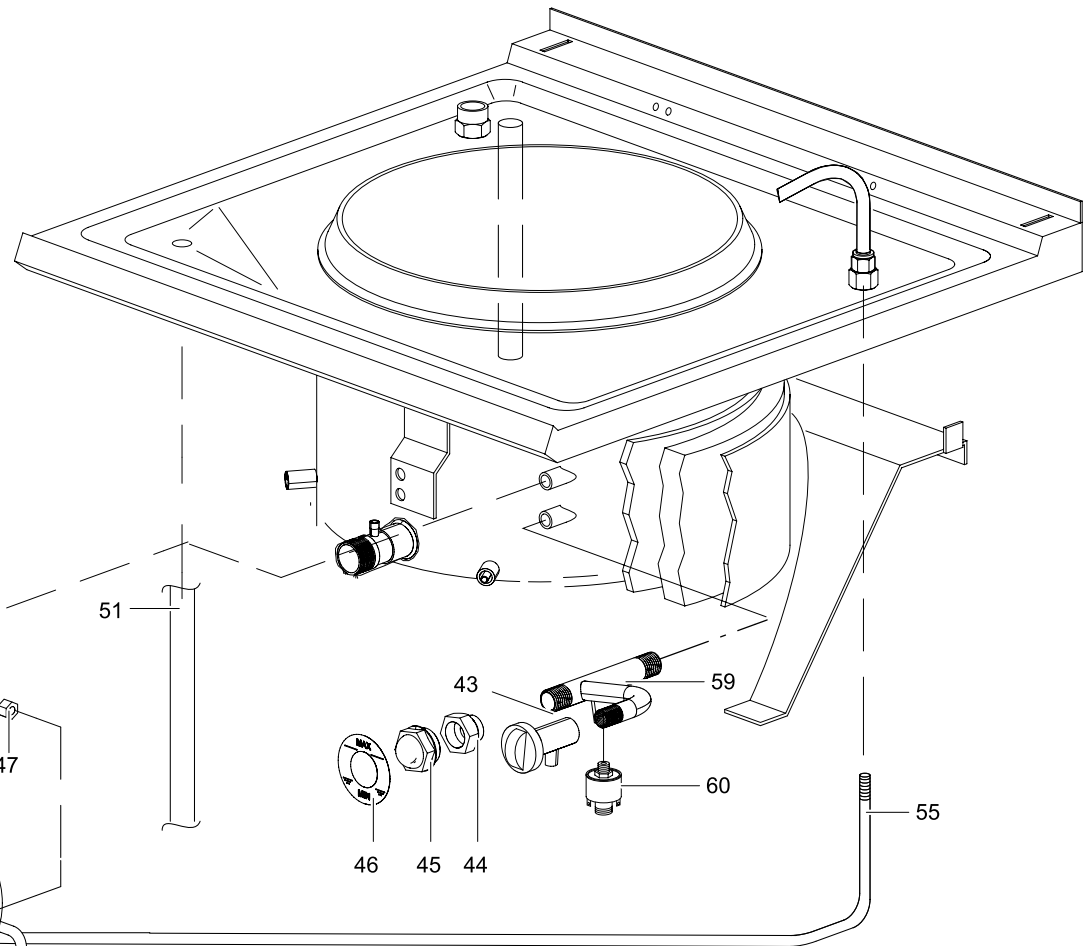
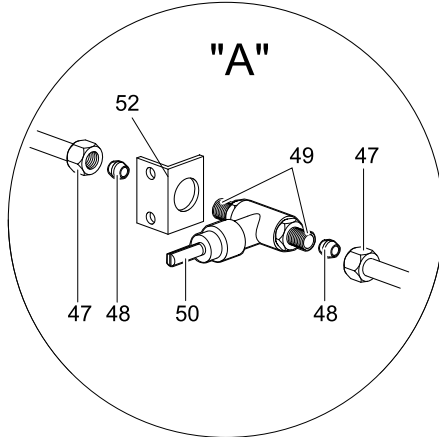


G100I9N  
G150I9N

**DOMINA 900**

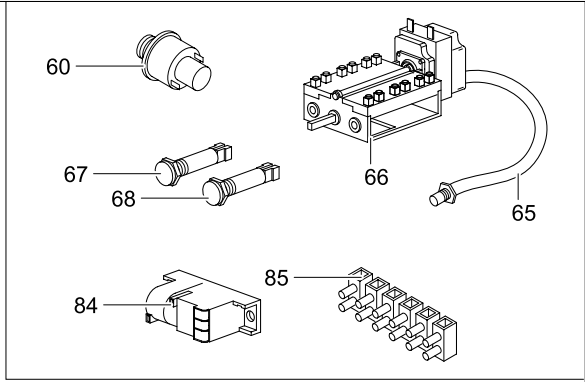
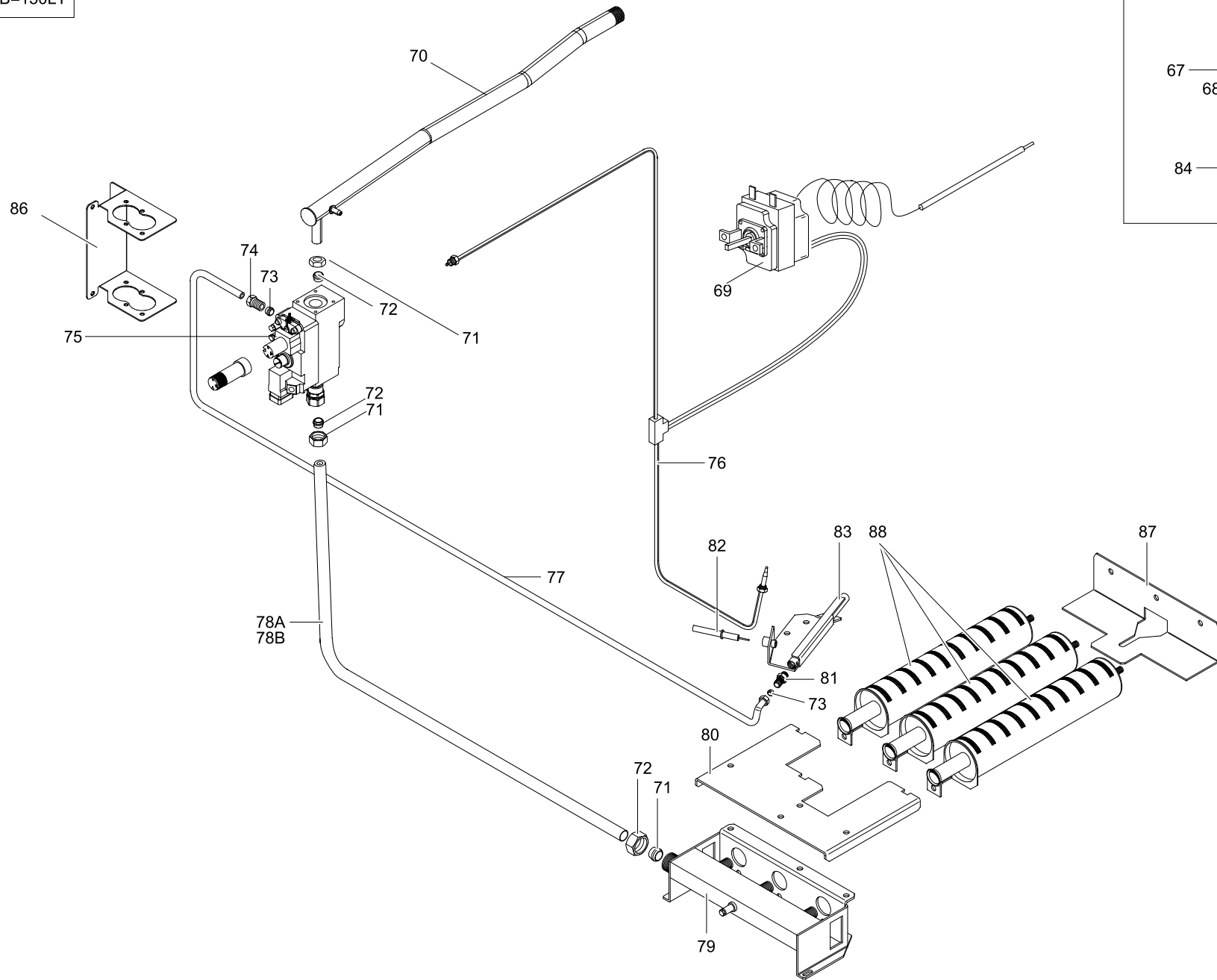
TAV. 953/1

A=100LT  
B=150LT



G100I9N  
G150I9N

A=100LT  
B=150LT



**DOMINA 900**

G100I9N  
G150I9N

TAV. 953/1

| TAVOLA            | POS. | CODICE        | ITALIANO                             | FRANCESE                                 | INGLESE                          | TEDESCO                       |
|-------------------|------|---------------|--------------------------------------|------------------------------------------|----------------------------------|-------------------------------|
| DOMINA TAV. 953/1 | 1    | 162676        | FIANCO DX                            | CÔTÉ DROITE                              | RIGHT SIDE                       | RECHTE SEITE                  |
| DOMINA TAV. 953/1 | 2    | 162684        | TRAVERSA POSTERIORE                  | CROISILLON POSTÉRIEURE                   | FRONT CROSSBAR                   | HINTERER QUERTRÄGER           |
| DOMINA TAV. 953/1 | 3    | 165921        | POSTERIORE INOX                      | POSTÉRIEURE                              | FRONT CROSSBAR                   | HINTERER QUERTRÄGER           |
| DOMINA TAV. 953/1 | 4    | 160928        | PARETE ANTERIORE CAMINO              | PAROI AVANT CHEMINÉE                     | FLUE FRONT WALL                  | VORDERWAND                    |
| DOMINA TAV. 953/1 | 5    | 160929        | PARETE POSTERIORE CAMINO             | PAROI ARRIÈRE                            | REAR WALL                        | RÜCKWAND                      |
| DOMINA TAV. 953/1 | 6    | 163603        | TAPPO FISSAGGIO PIANO DOMINA         | BOUCHON                                  | PLUG                             | GEWINDEPROPFEN                |
| DOMINA TAV. 953/1 | 7    | RTCP800026    | MOLLA CERNIERA                       | RESSORT DE LA CHARNIÈRE                  | HINGE SPRING                     |                               |
| DOMINA TAV. 953/1 | 8    | 160932        | CERNIERA COMPLETA                    | CHARNIÈRE COMPLÈTE                       | COPLETE HINGE                    | TÜRANGEL                      |
| DOMINA TAV. 953/1 | 9    | 172109        | SFERA BACHELITE D.40 M10 - PS4010L   | BALL                                     | SPHERE                           | KUGEL                         |
| DOMINA TAV. 953/1 | 10   | 170321        | MANIGLIA COPERCHIO                   | POIGNÉE DU COUVERCLE                     | COVER HANDLE                     | TOPFDECKEL                    |
| DOMINA TAV. 953/1 | 11   | 170328        | COPERCHIO                            | COUVERCLE                                | COVER                            | TOPFDECKEL                    |
| DOMINA TAV. 953/1 | 12   | 172110        | GOMMINO PARACOLPI D.20 - 05006       | POINTE                                   | TIP                              | DORN                          |
| DOMINA TAV. 953/1 | 13   | 168441        | GRIGLIA CAM. NERA/LUC/RAAF           | GRILLE DE PLAQUE                         | WORK PLANE GRATE                 | PLATTENROST                   |
| DOMINA TAV. 953/1 | 14   | RTCP800024    | EROGATORE ACQUA                      | DISTRIBUETUR DE L'EAU                    | WATER DISTRIBUTOR                | WASSERVERSORGER               |
| DOMINA TAV. 953/1 | 15   | RTCP900063    | MANOMETRO                            | MANOMÈTRE                                | MANOMETER                        | SICHERHEITSVENTIL             |
| DOMINA TAV. 953/1 | 16   | RTCP800064    | VALV.SIC.                            | SOUPAPE DE SÛRETÉ                        | SAFETY VALVE                     | SICHERHEITSVENTIL             |
| DOMINA TAV. 953/1 | 17   | 162677        | FIANCO SX                            | CÔTÉ GAUCHE                              | LEFT SIDE                        | LINKE SEITE                   |
| DOMINA TAV. 953/1 | 18A  | 170302        | AS.PENTOLA                           | RÉCIPIENT                                | BOWL                             | TOPFBEHÄLTER                  |
| DOMINA TAV. 953/1 | 18B  | 170298        | AS.PENTOLA                           | RÉCIPIENT                                | BOWL                             | TOPFBEHÄLTER                  |
| DOMINA TAV. 953/1 | 19   | 162882        | TRAVERSA LATERALE BASAMENTO          | CROISILLON LATÉRAL                       | SIDE CROSSBAR                    | QUERTRÄGER                    |
| DOMINA TAV. 953/1 | 20   | 162881        | TRAVERSA ANTERIORE                   | CROISILLON ANTÉRIEURE                    | BACK CROSSBAR                    | VORDERER QUERTRÄGER           |
| DOMINA TAV. 953/1 | 21   | 172545        | PARETE ANTERIORE CAMERA COMB.        | PAROT CHAMBRE DE COMBUSTION              | WALL COMBUSTION CHAMBER          | RÜCKWAND                      |
| DOMINA TAV. 953/1 | 22   | 170312        | COPRILANA SX                         | PANNEAU COUVRE ISOLANT GAUCHE            | INSUL. PANEL COVERING            | ISOLIERMATERIALVERKLEIDUNG    |
| DOMINA TAV. 953/1 | 22   | 170313        | COPRILANA DX                         | PANNEAU COUVRE ISOLANT DROIT             | INSULATING PANEL COVERING        | ISOLIERMATERIALVERKLEIDUNG    |
| DOMINA TAV. 953/1 | 23   | 171851        | PANNELLO ISOLANTE FACCIATA           | CROISILLON ANTÉRIEURE                    | BACK CROSSBAR                    | VORDERER QUERTRÄGER           |
| DOMINA TAV. 953/1 | 24   | 166427        | DEFLETTORE POSTERIORE                | DEFLECTEUR                               | DEFLECTOR                        | UMLENKBLECH                   |
| DOMINA TAV. 953/1 | 25   | 172544        | PIANO INF. SUPPORTO BRUCIATORE       | FOND                                     | BOTTOM                           | UNTERE EBENE                  |
| DOMINA TAV. 953/1 | 26   | 170322        | CAMERA COMBUSTIONE                   | CHAMBRE DE COMBUSTION                    | COMBUSTION CHAMBER               | BRENNKAMMER                   |
| DOMINA TAV. 953/1 | 27A  | 162864        | PI.INF.                              | PLAN INFÉRIEUR                           | LOWER PLANE                      | UNTERE EBENE                  |
| DOMINA TAV. 953/1 | 27B  | 162879        | PI.INF.                              | PLAN INFÉRIEUR                           | LOWER PLANE                      | UNTERE EBENE                  |
| DOMINA TAV. 953/1 | 28   | 171114        | C/PORTA                              | CONTRE PORTE                             | COUNTER DOOR                     | GEGENTÜR                      |
| DOMINA TAV. 953/1 | 29A  | 171113        | PORTA                                | PORTE                                    | DOOR                             | TÜR                           |
| DOMINA TAV. 953/1 | 29B  | 171112        | PORTA                                | PORTE                                    | DOOR                             | TÜR                           |
| DOMINA TAV. 953/1 | 30   | RTBF900013    | CERN.P.A.                            | CHARNIÈRE PORTE                          | DOOR HINGE                       | TÜRANGEL                      |
| DOMINA TAV. 953/1 | 31   | 166254        | PANNELLO ISOLANTE CAMERA COMBUSTIONE | PANNEAU ISOLANT                          | INSULATING PANEL                 | ISOLIERTAFEL                  |
| DOMINA TAV. 953/1 | 32   | 166429        | PIEDINO                              | PIED                                     | FOOT                             | FUSS                          |
| DOMINA TAV. 953/1 | 33   | 170305        | TRAVERSA UNIONE FIANCHI              | CROISILLON ANTÉRIEURE                    | FRONT CROSSBAR                   | VORDERER QUERTRÄGER           |
| DOMINA TAV. 953/1 | 34   | 160028        | SQ.FIS.CRUSCOTTO                     | ÉGUERRE DE FIXAGE DU PANNEAU DE CONTRÔLE | BRACKET TO FIX THE CONTROL PANEL | STEUERTAFELBEFESTIGUNGSWINKEL |
| DOMINA TAV. 953/1 | 35   | 172945        | AS.CRUSCOTTO                         | PANNEAU DE CONTRÔLE                      | CONTROL PANEL                    | STIRNBRETT                    |
| DOMINA TAV. 953/1 | 36   | 168847+172559 | MANOP.COMMUTATORE.+ANELLO            | POIGNÉE +ANNEAU                          | KNOB+RING                        | HAHNKUGELGRIFF+RING           |
| DOMINA TAV. 953/1 | 37   | 168846+169910 | MAN.RUB.CAR.ACQ.+ANELLO ACQUA FREDDA | POIGNÉE ROBINET EAU+ANNEAU               | WATER TAP KNOB+RING              | HAHNKUGELGRIFF+RING           |
| DOMINA TAV. 953/1 | 37   | 168846+169903 | MAN.RUB.CAR.ACQ.+ANELLO ACQUA CALDA  | POIGNÉE ROBINET EAU+ANNEAU               | WATER TAP KNOB+RING              | HAHNKUGELGRIFF+RING           |
| DOMINA TAV. 953/1 | 38A  | 170326        | FACCIATA EST.                        | DEVANTURE EATERNE                        | EXTERNAL FACE                    | EXTERNAL FACE                 |
| DOMINA TAV. 953/1 | 38B  | 170318        | FACCIATA EST.                        | DEVANTURE EATERNE                        | EXTERNAL FACE                    | EXTERNAL FACE                 |
| DOMINA TAV. 953/1 | 39   | 172234        | RUB.SCA.                             | ROBINET DE DECHARGE DE L'EAU             | WATER DISCHARGE TAP              | ABLASSHAHN                    |
| DOMINA TAV. 953/1 | 40   | RTCP900018    | BORCHIA                              | CLOU                                     | BOSS                             | AUFLAGE                       |
| DOMINA TAV. 953/1 | 41   | RTCP800065    | RUB.LIVELLO                          | ROBINET NIVEAU                           | LEVEL COCK                       | PEGELHAHN                     |
| DOMINA TAV. 953/1 | 42   | 160270        | MANIGLIA NICH.SAT.                   | POIGNÉE                                  | COVER                            | HANDGRIFF                     |
| DOMINA TAV. 953/1 | 43   | RTCP800065    | RUBINETTO DI LIVELLO                 | ROBINET NIVEAU                           | LEVEL COCK                       | PEGELHAHN                     |
| DOMINA TAV. 953/1 | 44   | 170334        | NIPLES 1/2"                          | NIPLES 1/2"                              | NIPLES 1/2"                      | NIPLES 1/2"                   |
| DOMINA TAV. 953/1 | 45   | 170723        | VISORE CUPOLA ALL + GUARNIZIONE      | DOUILLE                                  | SPY-HOLE                         | MONITOR                       |
| DOMINA TAV. 953/1 | 46   | 171022        | ANELLO MIN/MAX                       | ANNEAU                                   | RING                             | RING                          |

|                   |     |                     |                                  |                               |                          |                            |
|-------------------|-----|---------------------|----------------------------------|-------------------------------|--------------------------|----------------------------|
| DOMINA TAV. 953/1 | 47  | RTCU900013          | CALOTTA D.10                     | ECROU D.10                    | NUT D.10                 | MUTTER D.10                |
| DOMINA TAV. 953/1 | 48  | RTCU900012          | BICONO D.10                      | BICONE D.10                   | DOUBLE CONE D.10         | DOPPELKONUS D.10           |
| DOMINA TAV. 953/1 | 49  | RTCU900132          | NIPLES 3/8"                      | NIPLES 3/8"                   | NIPLES 3/8"              | NIPPEL 3/8"                |
| DOMINA TAV. 953/1 | 50  | 168006              | RUB.CAR.ACQ.                     | WATER TAP                     | ROBINET DE L'EAU         | WASSERHAHN                 |
| DOMINA TAV. 953/1 | 51  | MPGOM27T00          | TU.SCARICO ACQUA                 | TUBE DE DECHARGE DE L'EAU     | WATER DISCHARGE PIPE     | WASSERABLAUSSROHR          |
| DOMINA TAV. 953/1 | 52  | 160652              | SQ. FISSAGGIO RUBINETTO          | EGUERRE FIXAGE                | BRACKET TO FIX           | BRENNERHAL                 |
| DOMINA TAV. 953/1 | 53  | 164806              | TU.AL.ACQ.CALDA CAMERA           | TUBE ALIMENTATION EAU CHAUDE  | HOT WATER FEEDING PIPE   | VERSORGUNGSROHR            |
| DOMINA TAV. 953/1 | 54  | 164807              | TU.AL.ACQ.FREDDA CAMERA          | TUBE ALIMENTATION EAU FROIDE  | COLD WATER FEEDING PIPE  | VERSORGUNGSROHR            |
| DOMINA TAV. 953/1 | 55  | 160940              | TU.AL.EROG.ACQ.V.                | TUBE DISTRIBUTION ECU         | WATER FEEDING PIPE       | HAHNVERSORGUNGSROHR        |
| DOMINA TAV. 953/1 | 56A | 165635              | TU.AL.CAMERA PRECAMERA           | TUBE D'ALIMENTATION           | FEEDING PIPE             | BRENNERVERSORGUNGSROHR     |
| DOMINA TAV. 953/1 | 56B | 164998              | TU.AL.CAMERA PRECAMERA           | TUBE D'ALIMENTATION           | FEEDING PIPE             | BRENNERVERSORGUNGSROHR     |
| DOMINA TAV. 953/1 | 57  | RTCU700629          | MANICOTTO FE.FF.3/8"ZINC.        | DOUILLE FILETÉ 3/8"           | THREADED BUSH 3/8"       | ANSCHLUSSSTÜCK 3/8"        |
| DOMINA TAV. 953/1 | 58  | 173465              | AS.ATT.ACQUA                     | ATTAQUE DE L'EAU              | WATER CONNECTION         | WASSERANSCHLUß             |
| DOMINA TAV. 953/1 | 59  | 170306              | TUBO LIVELLO INOX                | TUYAU NIVEAU                  | LEVEL PIPE               | PEGELROHR                  |
| DOMINA TAV. 953/1 | 60  | 170843              | PRESSOSTATO                      | PRESSOSTAT                    | PRESSURE SWITCH          | DRUCK WACTER               |
| DOMINA TAV. 953/1 | 61  | 170308              | STAFFA RUBINETTO ACQUA           | STAFFA RUBINETTO              | STAFFA TAP               | STAFFA HAHN                |
| DOMINA TAV. 953/1 | 63  | RTCU600075          | RUBINETTO CARICO ACQUA           | ROBINET DE L'EAU              | WATER TAP                | WASSERHAHN                 |
| DOMINA TAV. 953/1 | 64  | 170309              | TUBO ALIMENTAZIONE INTERCAPEDINE | TUBE ALIMENTATION DISTRIBUTOR | DISTRIBUTOR FEEDING PIPE | HAHNVERSORGUNGSROHR        |
| DOMINA TAV. 953/1 | 65  | 169091              | TERMOSTATO                       | THERMOSTAT                    | THERMOSTAT               | THERMOSTAT                 |
| DOMINA TAV. 953/1 | 66  | RTCU600185          | COMMUTATORE                      | COMMUTATEUR                   | SWITCH                   | HAUPTSHALTER               |
| DOMINA TAV. 953/1 | 67  | 166465              | LAMPADA SPIA VERDE               | LAMPE TÉMOIN VERTE            | GREEN WARNING LIGHT      | GRÜNE KONTROLLEUCHE        |
| DOMINA TAV. 953/1 | 68  | 166466              | LAMPADA SPIA ARANCIO             | LAMPE TÉMOIN                  | ORANGE WARNING LIGHT     | KONTROLLEUCHTENBIRNE       |
| DOMINA TAV. 953/1 | 69  | RTCP800067          | TERMOSTATO LIMIT                 | THERMOSTAT LIMIT              | LIMIT THERMOSTAT         | THERMOSTAT LIMIT           |
| DOMINA TAV. 953/1 | 70  | 170332              | AS.RAMPA                         | RAMPE                         | RAMP                     | RAMPE                      |
| DOMINA TAV. 953/1 | 71  | RTCP800022          | CALOTTA RUB.D.16                 | ECROU POUR ROBINET D.16       | NUT FOR TAP D.16         | MUTTER FÜR SCHLAUCH D.16   |
| DOMINA TAV. 953/1 | 72  | RTCP800023          | BICONO RUB.D.16                  | BICONE D.16                   | DOUBLE CONE D.16         | DOPPELKONUS D.16           |
| DOMINA TAV. 953/1 | 73  | RTCU900018          | BICONO D.6                       | BICONE D.6                    | DOUBLE CONE D.6          | DOPPELKONUS D.6            |
| DOMINA TAV. 953/1 | 74  | RTCU800339          | CALOTTA D.6                      | ECROU D.6                     | NUT D.6                  | MUTTER D.6                 |
| DOMINA TAV. 953/1 | 75  | 169587              | CORPO VALVOLA GAS                | SOUPAPE A GAZ                 | GAS SECURITY VALVE       | GAS-SICHERHEITSVENTIL      |
| DOMINA TAV. 953/1 | 76  | RTCU700374          | T/COPPIA                         | THERMOCOUPLE                  | THERMOCOUPLE             | THERMOELEMENT              |
| DOMINA TAV. 953/1 | 77  | 172542              | TU.PILOTA BRUC.                  | TUBE VEILLEUSE                | PILOT PIPE               | PILOTBRENNERROHR           |
| DOMINA TAV. 953/1 | 78A | 172541              | TUBO ALIMENTAZIONE BRUCIATORE    | TUBE ALIMENTATION BRULEUR     | BURNER FEEDING PIPE      | BRENNERVERSORUNGSROHR      |
| DOMINA TAV. 953/1 | 78B | 170303              | TUBO ALIMENTAZIONE BRUCIATORE    | TUBE ALIMENTATION BRULEUR     | BURNER FEEDING PIPE      | BRENNERVERSORUNGSROHR      |
| DOMINA TAV. 953/1 | 79  | 160946              | AS.SUP.INIET                     | SUPPORT INJECTEUR             | INJECTOR SUPPORT         | EINSPRITZHALTERUNG         |
| DOMINA TAV. 953/1 | 80  | 160458              | PROTEZIONE BRUCIATORE            | PROTECTION DU BRÛLEUR         | BURNER PROTECTION        | BRENNERSCHUTZ              |
| DOMINA TAV. 953/1 | 81  | VEDI MANUALE UGELLI | INIETTORE PILOTA                 | VEILLEUSE                     | PILOT                    | PILOTBRENNER               |
| DOMINA TAV. 953/1 | 82  | RTCU900010          | CAND.ROT.                        | BOUGIE OXIDE RONDE            | ROUND SPARK              | ZÜNDKERZE                  |
| DOMINA TAV. 953/1 | 83  | GACP800065          | AS. PILOTA                       | VEILLEUSE                     | PILOT                    | PILOTBRENNER               |
| DOMINA TAV. 953/1 | 84  | RTBF800129          | ACCENDITORE ELETTRICO            | ALLUMAGE                      | LIGHTING                 | PIEZOELEKTRISCHER ANZÜNDER |
| DOMINA TAV. 953/1 | 85  | RTBF800149          | MORSETTIERA                      | CONNECTION DES CABLES         | CLAMP                    | KLEMMEN                    |
| DOMINA TAV. 953/1 | 86  | 170288              | SQ. FISSAGGIO VALVOLA            | SQ.FIS. ELECTROVANE           | ELECTRIC VALVE SUPPORT   | HALTER ELEKTROVENTIL       |
| DOMINA TAV. 953/1 | 87  | 160457              | SQ.POST. FISS. BRUCIATORI        | EGUERRE FIXAGE BRÛLEUR        | BRACKET TO FIX BURNER    | BRENNERHALTEWINKEL         |
| DOMINA TAV. 953/1 | 88  | RTCU800335          | BRUC.CENT.                       | BRÛLEUR CENTRALE              | CENTRAL BURNER           | MITTLERER BRENNER          |