

NP70-10

THERMOSTAT

NFT74GTLC CR0689760
 NFT74GTLO CR0734240
 NFT74GTLCO CR0734690
 NFT74GTRC CR0689650

NFT76GLC CR0738190
 NFT76GMC CR0738200
 NFT76GRC CR0738240

NFT78GTL CR0689770
 NFT78GTM CR0734210
 NFT78GTR CR0733960
 NFT78GTLC CR0689780
 NFT78GTLO CR0734230
 NFT78GTLCO CR0734680
 NFT78GTMC CR0734220
 NFT78GTRC CR0689970

FRY TOPS A GAS
 GAS-HEATED FRY-TOPS
 GRILLADES A GAZ
 GASBEHEIZTE BRAT- UND GRILLPLATTEN

CR0580640 (40/80)
 CR0580380 (60)
 1030000600

CR0738360 (*) (60)
 CR0688780 (*) (40/80)

CR0585540
 CR0688540 (40/60)
 CR0689070 (80)

CR0587280 (40/80 Sx)
 CR0587290 (80 Dx)
 CR0685260 (60 Sx)

1888200
 417810
 459300

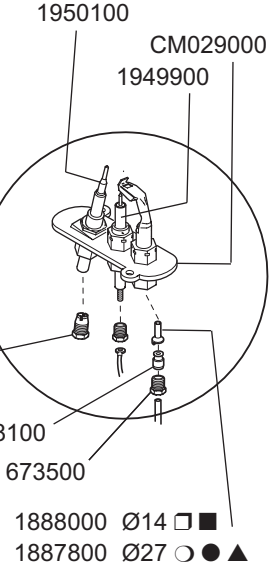
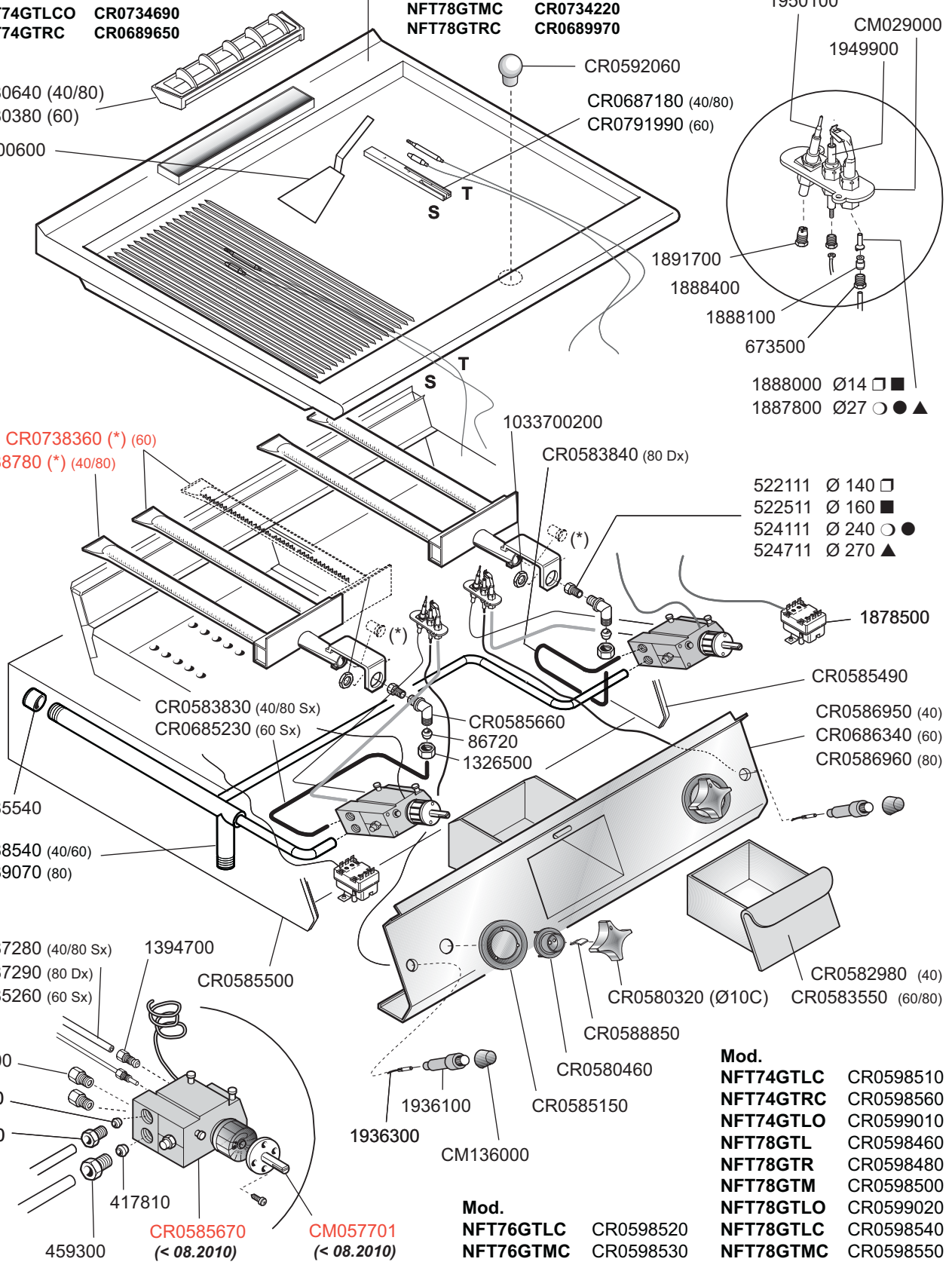
459300

CR0585670
 (< 08.2010)

CM057701
 (< 08.2010)

Mod.
 NFT76GTLC CR0598520
 NFT76GTMC CR0598530

Mod.
 NFT74GTLC CR0598510
 NFT74GTRC CR0598560
 NFT74GTLO CR0599010
 NFT78GTL CR0598460
 NFT78GTR CR0598480
 NFT78GTM CR0598500
 NFT78GTLO CR0599020
 NFT78GTLC CR0598540
 NFT78GTMC CR0598550



ID GAS: □ G30/50 ■ G30/29 ○ G20/20 ● G25/25 ▲ G25/20

 MARENO INDUSTRIE ALI spa Mareno di Piave (TV)	ELABORATO:	APPROVATO:	GRUPPO:	DENOMINAZIONE:		
			Serie NP70	Impianto gas termostatico e mobile		
	DATA:	DATA:	PARTICOLARE:	REV. N.	DEL	DISEGNO N.
	28 Gen 2010	28 Gen 2010	Disegno esploso per ricambi	▼	▼	▼
SOST. DIS.			Z00	0110	3.P70.11.TER.1	