

NP70-10
THERMOSTAT

NFT76GLC CR0738190
NFT76GMC CR0738200
NFT76GRC CR0738240

NFT78GTL CR0689770
NFT78GTM CR0734210
NFT78GTR CR0733960
NFT78GTLC CR0689780
NFT78GTLO CR0734230
NFT78GTLCO CR0734680
NFT78GTMC CR0734220
NFT78GTRC CR0689970

FRY TOPS A GAS
GAS-HEATED FRY-TOPS
GRILLADES A GAZ
GASBEHEIZTE BRAT- UND GRILLPLATTEN

NFT74GTLC CR0689760
NFT74GTLO CR0734240
NFT74GTLCO CR0734690
NFT74GTRC CR0689650

CR0580640 (40/80)
CR0580380 (60)
1030000600

CR0738360 (*) (60)
CR0688780 (*) (40/80)

CR0585540
CR0688540 (40/60)
CR0689070 (80)

CR0587280 (40/80 Sx)
CR0587290 (80 Dx)
CR0685260 (60 Sx)

1888200
417810
459300

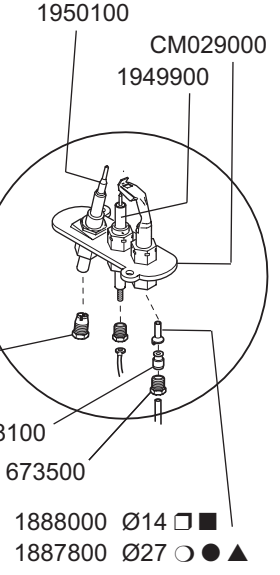
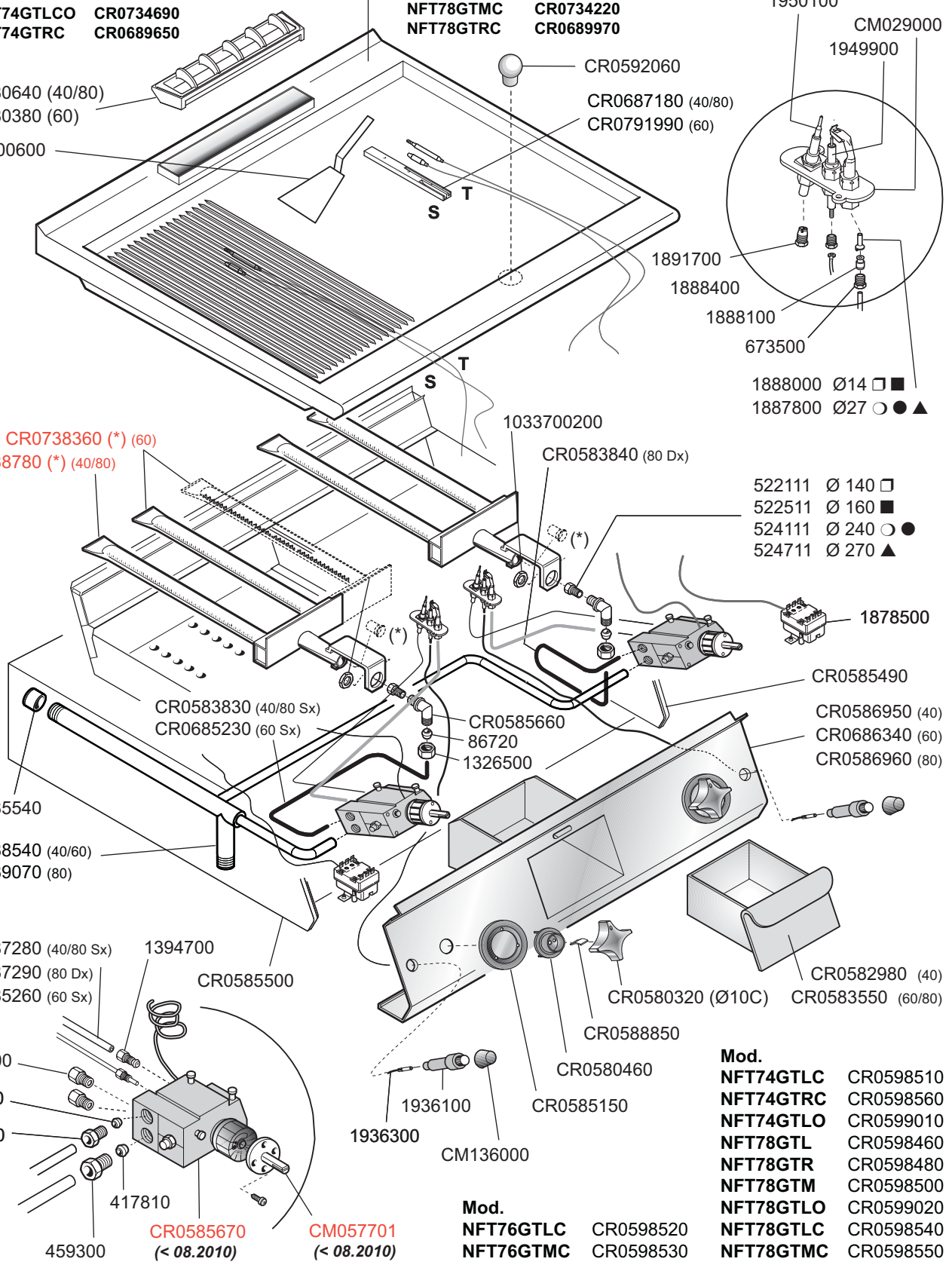
459300

CR0585670 (< 08.2010)

CM057701 (< 08.2010)



Mod.
NFT76GTLC CR0598520
NFT76GTMC CR0598530

Mod.
NFT74GTLC CR0598510
NFT74GTRC CR0598560
NFT74GTLO CR0599010
NFT78GTL CR0598460
NFT78GTR CR0598480
NFT78GTM CR0598500
NFT78GTLO CR0599020
NFT78GTLC CR0598540
NFT78GTMC CR0598550



- 522111 Ø 140 □
- 522511 Ø 160 ■
- 524111 Ø 240 ○ ●
- 524711 Ø 270 ▲

ID GAS: □ G30/50 ■ G30/29 ○ G20/20 ● G25/25 ▲ G25/20

 MARENO INDUSTRIE ALI spa Mareno di Piave (TV)	ELABORATO:	APPROVATO:	GRUPPO:	DENOMINAZIONE:		
			Serie NP70	Impianto gas termostatico e mobile		
	DATA:	DATA:	PARTICOLARE:	REV. N.	DEL	DISEGNO N.
	28 Gen 2010	28 Gen 2010	Disegno esploso per ricambi	▼	▼	▼
SOST. DIS.				Z00	0110	3.P70.11.TER.1