

NP70-10
THERMOSTAT

NFT76GLC CR0738190
NFT76GMC CR0738200
NFT76GRC CR0738240

NFT78GTL CR0689770
NFT78GTM CR0734210
NFT78GTR CR0733960
NFT78GTLC CR0689780
NFT78GTLO CR0734230
NFT78GTLCO CR0734680
NFT78GTMC CR0734220
NFT78GTRC CR0689970

FRY TOPS A GAS
GAS-HEATED FRY-TOPS
GRILLADES A GAZ
GASBEHEIZTE BRAT- UND GRILLPLATTEN

NFT74GTLC CR0689760
NFT74GTLO CR0734240
NFT74GTLCO CR0734690
NFT74GTRC CR0689650

CR0580640 (40/80)
CR0580380 (60)
1030000600

CR0738360 (*) (60)
CR0688780 (*) (40/80)

CR0585540
CR0688540 (40/60)
CR0689070 (80)

CR0587280 (40/80 Sx)
CR0587290 (80 Dx)
CR0685260 (60 Sx)

1888200
417810
459300

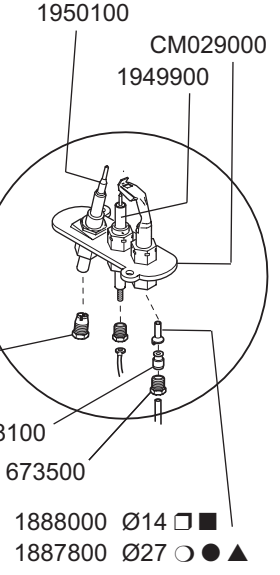
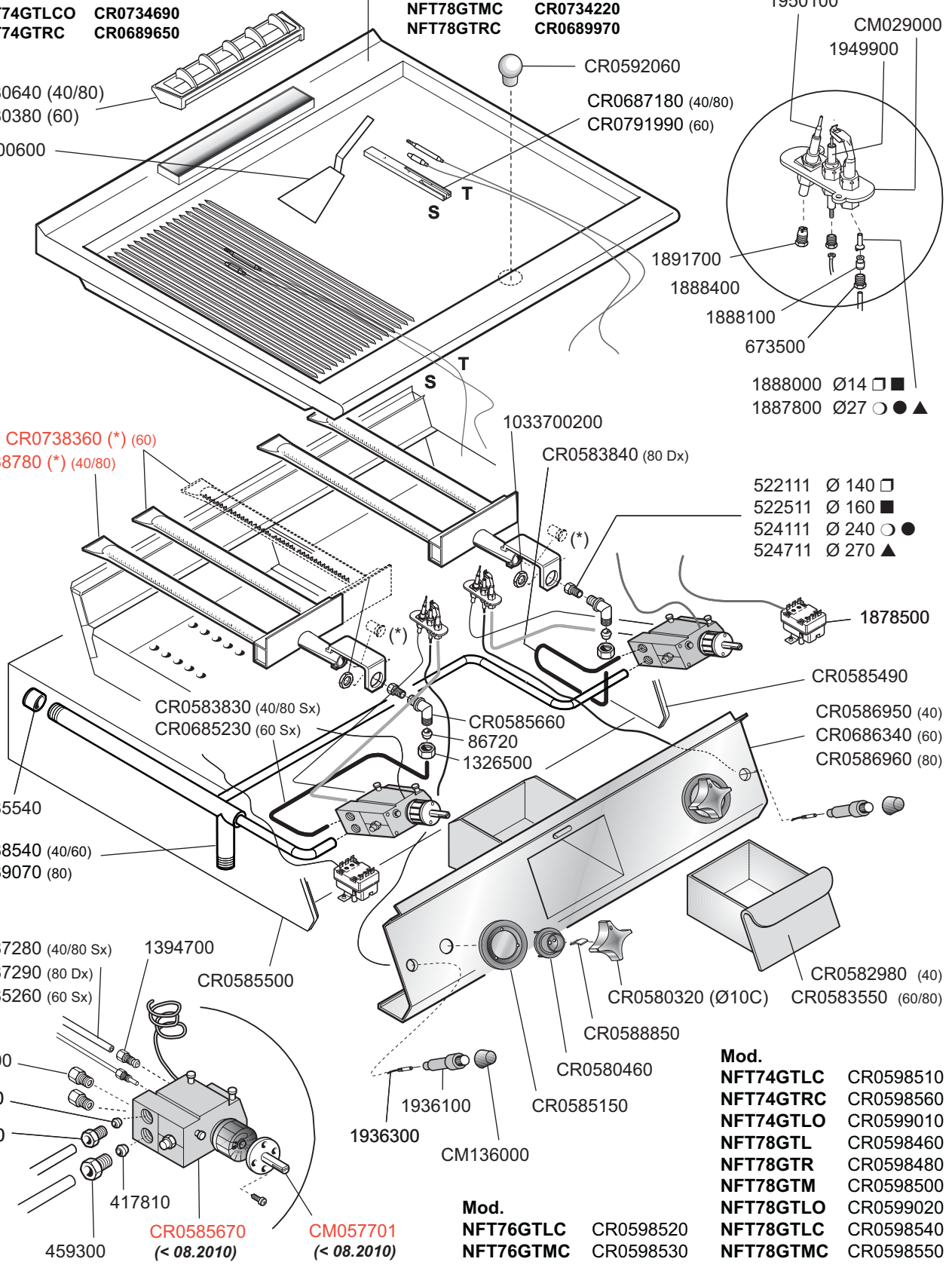
459300

CR0585670 (< 08.2010)

CM057701 (< 08.2010)

Mod.
NFT76GTLC CR0598520
NFT76GTMC CR0598530

Mod.
NFT74GTLC CR0598510
NFT74GTRC CR0598560
NFT74GTLO CR0599010
NFT78GTL CR0598460
NFT78GTR CR0598480
NFT78GTM CR0598500
NFT78GTLO CR0599020
NFT78GTLC CR0598540
NFT78GTMC CR0598550





1950100
CM029000
1949900
1891700
1888400
1888100
673500
1888000 Ø14 ◻
1887800 Ø27 ○ ● ▲

522111 Ø 140 ◻
522511 Ø 160 ◻
524111 Ø 240 ○ ●
524711 Ø 270 ▲
1878500
CR0585490
CR0586950 (40)
CR0686340 (60)
CR0586960 (80)

CR0582980 (40)
CR0583550 (60/80)

ID GAS: ◻ G30/50 ◼ G30/29 ○ G20/20 ● G25/25 ▲ G25/20

 MARENO INDUSTRIE ALI spa Mareno di Piave (TV)	ELABORATO:	APPROVATO:	GRUPPO:	DENOMINAZIONE:		
			Serie NP70	Impianto gas termostatico e mobile		
	DATA:	DATA:	PARTICOLARE:	REV. N.	DEL	DISEGNO N.
	28 Gen 2010	28 Gen 2010	Disegno esploso per ricambi	▼	▼	▼
SOST. DIS.			Z00	0110	3.P70.11.TER.1	