

**Protagonista**

**SERIE 70 - 40/80**

- 5159700 ∅ 110 □
- 1513000 ∅ 125 ■
- 707200 ∅ 190 ○ ●
- 707300 ∅ 210 ▲

**SERIE 70 - 60**

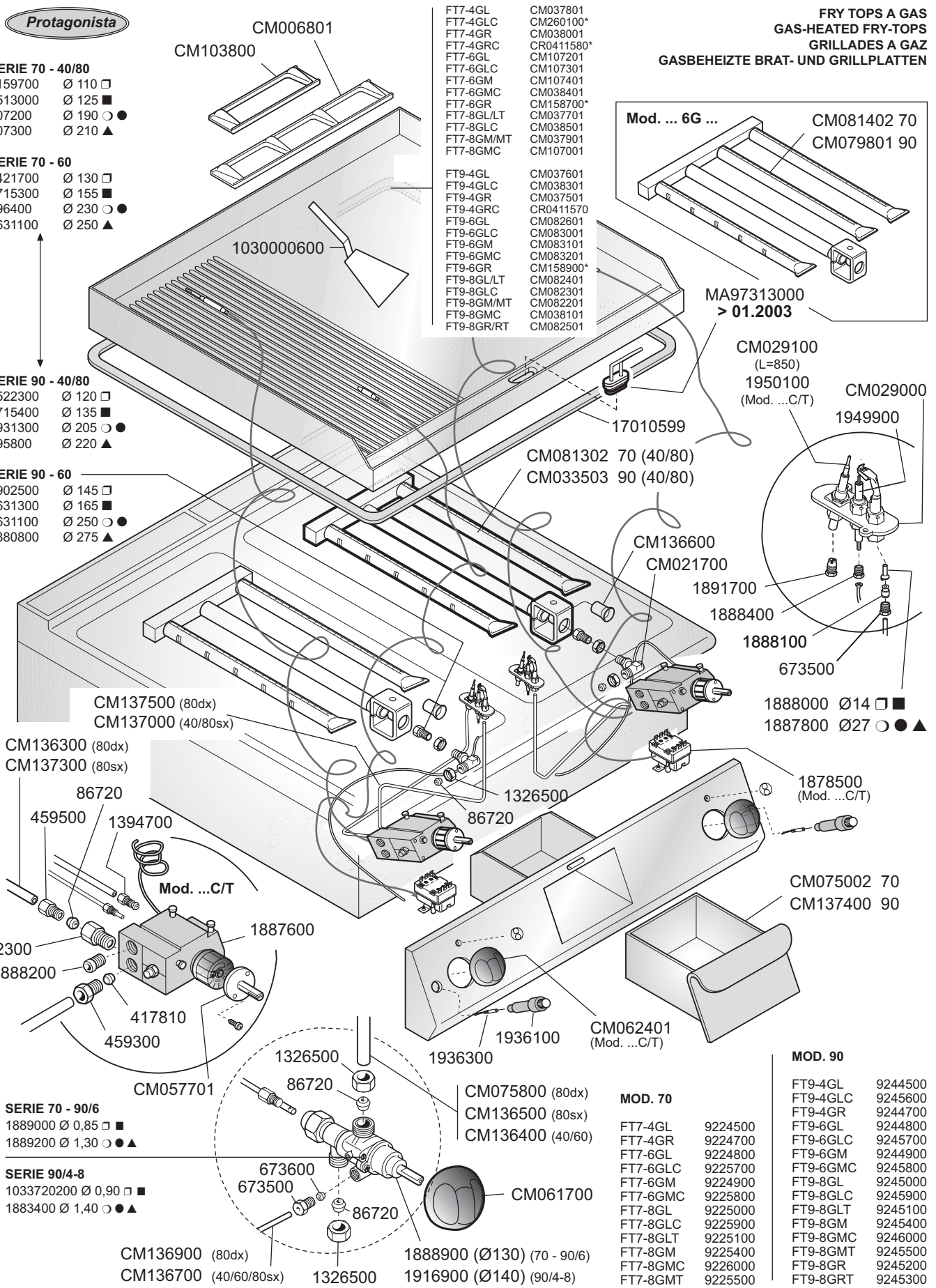
- 1421700 ∅ 130 □
- 2715300 ∅ 155 ■
- 796400 ∅ 230 ○ ●
- 1631100 ∅ 250 ▲

**SERIE 90 - 40/80**

- 1522300 ∅ 120 □
- 2715400 ∅ 135 ■
- 1931300 ∅ 205 ○ ●
- 795800 ∅ 220 ▲

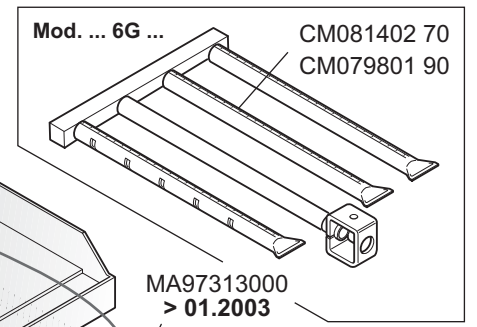
**SERIE 90 - 60**

- 2902500 ∅ 145 □
- 1631300 ∅ 165 ■
- 1631100 ∅ 250 ○ ●
- 1880800 ∅ 275 ▲

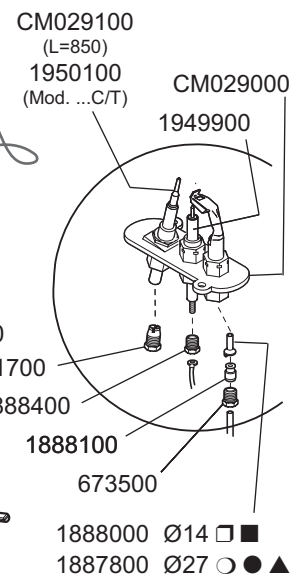


FT7-4GL	CM037801
FT7-4GLC	CM260100*
FT7-4GR	CM038001
FT7-4GRC	CR0411580*
FT7-6GL	CM107201
FT7-6GLC	CM107301
FT7-6GM	CM107401
FT7-6GMC	CM038401
FT7-6GR	CM158700*
FT7-8GL/LT	CM037701
FT7-8GLC	CM038501
FT7-8GM/MT	CM037901
FT7-8GMC	CM107001
FT9-4GL	CM037601
FT9-4GLC	CM038301
FT9-4GR	CM037501
FT9-4GRC	CR0411570
FT9-6GL	CM082601
FT9-6GLC	CM083001
FT9-6GM	CM083101
FT9-6GMC	CM083201
FT9-6GR	CM158900*
FT9-8GL/LT	CM082401
FT9-8GLC	CM082301
FT9-8GM/MT	CM082201
FT9-8GMC	CM038101
FT9-8GR/RT	CM082501

**FRY TOPS A GAS  
GAS-HEATED FRY-TOPS  
GRILLES A GAZ  
GASBEHEIZTE BRAT- UND GRILLPLATTEN**



MA97313000  
> 01.2003



**MOD. 90**

FT9-4GL	9244500
FT9-4GLC	9245600
FT9-4GR	9244700
FT9-6GL	9244800
FT9-6GLC	9245700
FT9-6GM	9244900
FT9-6GMC	9245800
FT9-8GL	9245000
FT9-8GLC	9245900
FT9-8GLT	9245100
FT9-8GM	9245400
FT9-8GMC	9246000
FT9-8GMT	9245500
FT9-8GR	9245200
FT9-8GRT	9245300

**MOD. 70**

FT7-4GL	9224500
FT7-4GR	9224700
FT7-6GL	9224800
FT7-6GLC	9225700
FT7-6GM	9224900
FT7-6GMC	9225800
FT7-8GL	9225000
FT7-8GLC	9225900
FT7-8GLT	9225100
FT7-8GM	9225400
FT7-8GMC	9226000
FT7-8GMT	9225500

- SERIE 70 - 90/6**
- 1889000 ∅ 0,85 □ ■
  - 1889200 ∅ 1,30 ○ ● ▲
- SERIE 90/4-8**
- 1033720200 ∅ 0,90 □ ■
  - 1883400 ∅ 1,40 ○ ● ▲

**ID GAS:** □ G30/50 ■ G30/29 ○ G20/20 ● G25/25 ▲ G25/20

<p>MARENO INDUSTRIE ALI spa Mareno di Piave (TV)</p>	ELABORATO:	APPROVATO:	GRUPPO:	DENOMINAZIONE:		
	G.Z.		Serie 70 - 90	Impianto gas e mobile		
	DATA:	DATA:	PARTICOLARE:	REV. N.	DEL	DISEGNO N.
	02 Mar 1999	02 Mar 1999	Disegno esploso per ricambi	▼	▼	▼
SOST. DIS.	Z01 9908 3P11		Z 0 2 0 9 1 1		3 . P . 1 1	