

**Protagonista**

**SERIE 70 - 40/80**

- 5159700 ∅ 110 □
- 1513000 ∅ 125 ■
- 707200 ∅ 190 ○ ●
- 707300 ∅ 210 ▲

**SERIE 70 - 60**

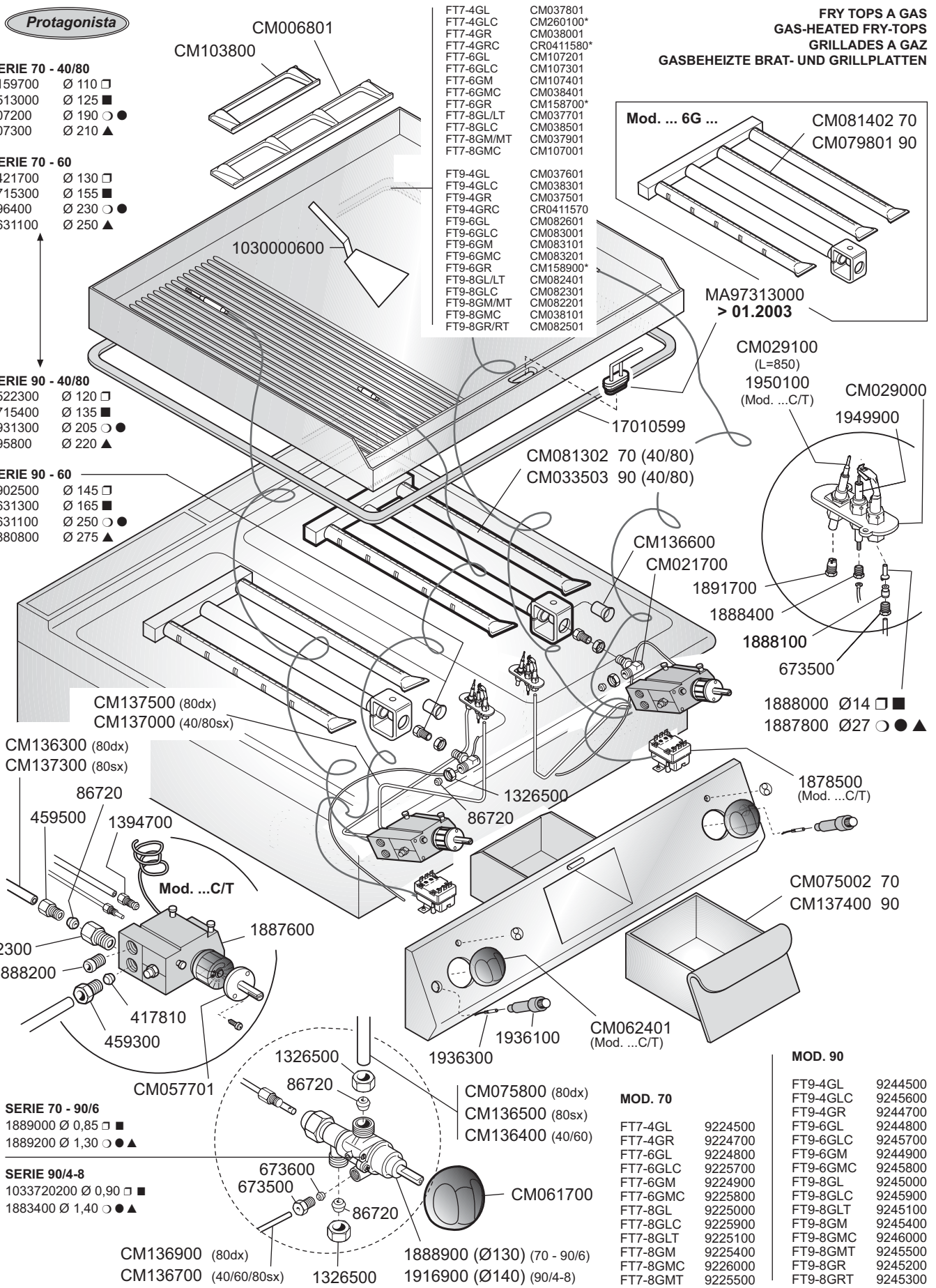
- 1421700 ∅ 130 □
- 2715300 ∅ 155 ■
- 796400 ∅ 230 ○ ●
- 1631100 ∅ 250 ▲

**SERIE 90 - 40/80**

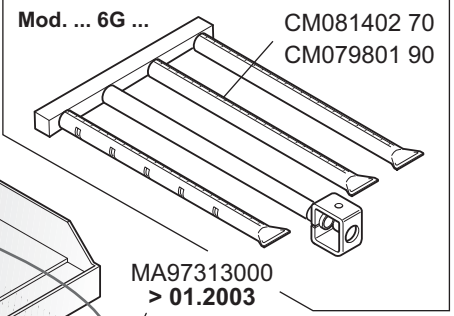
- 1522300 ∅ 120 □
- 2715400 ∅ 135 ■
- 1931300 ∅ 205 ○ ●
- 795800 ∅ 220 ▲

**SERIE 90 - 60**

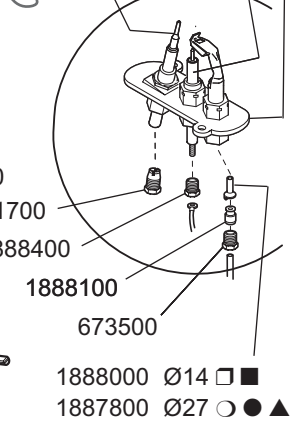
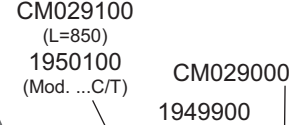
- 2902500 ∅ 145 □
- 1631300 ∅ 165 ■
- 1631100 ∅ 250 ○ ●
- 1880800 ∅ 275 ▲



**FRY TOPS A GAS  
GAS-HEATED FRY-TOPS  
GRILLES A GAZ  
GASBEHEIZTE BRAT- UND GRILLPLATTEN**



**MA97313000  
> 01.2003**



CM137500 (80dx)  
 CM137000 (40/80sx)

CM136300 (80dx)  
 CM137300 (80sx)

86720

459500 1394700

Mod. ...C/T

1033702300 1888200

417810 459300

1887600

CM057701

1888100 1888000 1887800

1878500 (Mod. ...C/T)

1936100 1936300

CM062401 (Mod. ...C/T)

CM075002 70  
 CM137400 90

CM136900 (80dx)  
 CM136700 (40/60/80sx)

1326500 1888900 (∅130) (70 - 90/6)  
 1916900 (∅140) (90/4-8)

673600 673500 86720

CM061700

**MOD. 90**

FT9-4GL	9244500
FT9-4GLC	9245600
FT9-4GR	9244700
FT9-6GL	9244800
FT9-6GLC	9245700
FT9-6GM	9244900
FT9-6GMC	9245800
FT9-8GL	9245000
FT9-8GLC	9245900
FT9-8GLT	9245100
FT9-8GM	9245400
FT9-8GMC	9246000
FT9-8GMT	9245500
FT9-8GR	9245200
FT9-8GRT	9245300

**MOD. 70**

FT7-4GL	9224500
FT7-4GR	9224700
FT7-6GL	9224800
FT7-6GLC	9225700
FT7-6GM	9224900
FT7-6GMC	9225800
FT7-8GL	9225000
FT7-8GLC	9225900
FT7-8GLT	9225100
FT7-8GM	9225400
FT7-8GMC	9226000
FT7-8GMT	9225500

**ID GAS:** □ G30/50 ■ G30/29 ○ G20/20 ● G25/25 ▲ G25/20

<p><b>MARENO INDUSTRIE ALI spa</b> Mareno di Piave (TV)</p>	ELABORATO:	APPROVATO:	GRUPPO:	DENOMINAZIONE:		
	G.Z.		Serie 70 - 90	Impianto gas e mobile		
	DATA:	DATA:	PARTICOLARE:	REV. N.	DEL	DISEGNO N.
	02 Mar 1999	02 Mar 1999	Disegno esploso per ricambi	▼	▼	▼
SOST. DIS.	<b>Z01 9908 3P11</b>				<b>Z 0 2 0 9 1 1</b>	<b>3 . P . 1 1</b>