

**Protagonista**

- SERIE 70 - 40/80**  
 5159700 Ø 110 □  
 1513000 Ø 125 ■  
 707200 Ø 190 ○ ●  
 707300 Ø 210 ▲

- SERIE 70 - 60**  
 1421700 Ø 130 □  
 2715300 Ø 155 ■  
 796400 Ø 230 ○ ●  
 1631100 Ø 250 ▲

- SERIE 90 - 40/80**  
 1522300 Ø 120 □  
 2715400 Ø 135 ■  
 1931300 Ø 205 ○ ●  
 795800 Ø 220 ▲

- SERIE 90 - 60**  
 2902500 Ø 145 □  
 1631300 Ø 165 ■  
 1631100 Ø 250 ○ ●  
 1880800 Ø 275 ▲

- SERIE 70 - 90/6**  
 1889000 Ø 0,85 □ ■  
 1889200 Ø 1,30 ○ ● ▲

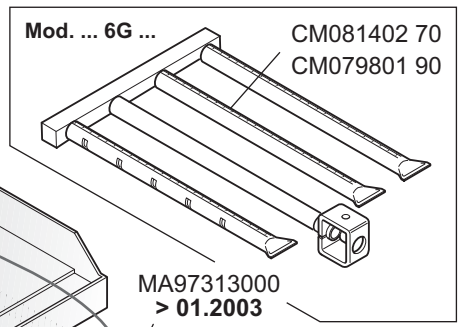
- SERIE 90/4-8**  
 1033720200 Ø 0,90 □ ■  
 1883400 Ø 1,40 ○ ● ▲

CM006801  
 CM103800

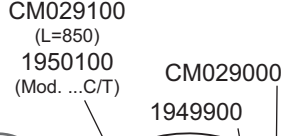
- FT7-4GL CM037801  
 FT7-4GLC CM260100\*  
 FT7-4GR CM038001  
 FT7-4GRC CR0411580\*  
 FT7-6GL CM107201  
 FT7-6GLC CM107301  
 FT7-6GM CM107401  
 FT7-6GMC CM038401  
 FT7-6GR CM158700\*  
 FT7-8GL/LT CM037701  
 FT7-8GLC CM038501  
 FT7-8GM/MT CM037901  
 FT7-8GMC CM107001

- FT9-4GL CM037601  
 FT9-4GLC CM038301  
 FT9-4GR CM037501  
 FT9-4GRC CR0411570  
 FT9-6GL CM082601  
 FT9-6GLC CM083001  
 FT9-6GM CM083101  
 FT9-6GMC CM083201  
 FT9-6GR CM158900\*  
 FT9-8GL/LT CM082401  
 FT9-8GLC CM082301  
 FT9-8GM/MT CM082201  
 FT9-8GMC CM038101  
 FT9-8GR/RT CM082501

**FRY TOPS A GAS  
 GAS-HEATED FRY-TOPS  
 GRILLES A GAZ  
 GASBEHEIZTE BRAT- UND GRILLPLATTEN**



MA97313000  
 > 01.2003



CM081302 70 (40/80)  
 CM033503 90 (40/80)

CM136600  
 CM021700

- 1891700  
 1888400  
 1888100  
 673500

- 1888000 Ø14 □ ■  
 1887800 Ø27 ○ ● ▲

CM137500 (80dx)  
 CM137000 (40/80sx)

CM136300 (80dx)  
 CM137300 (80sx)

86720

459500 1394700

Mod. ...C/T

1887600

1033702300  
 1888200

417810  
 459300

CM057701

1326500  
 86720

CM075800 (80dx)  
 CM136500 (80sx)  
 CM136400 (40/60)

**MOD. 70**

- FT7-4GL 9224500  
 FT7-4GR 9224700  
 FT7-6GL 9224800  
 FT7-6GLC 9225700  
 FT7-6GM 9224900  
 FT7-6GMC 9225800  
 FT7-8GL 9225000  
 FT7-8GLC 9225900  
 FT7-8GLT 9225100  
 FT7-8GM 9225400  
 FT7-8GMC 9226000  
 FT7-8GMT 9225500

**MOD. 90**

- FT9-4GL 9244500  
 FT9-4GLC 9245600  
 FT9-4GR 9244700  
 FT9-6GL 9244800  
 FT9-6GLC 9245700  
 FT9-6GM 9244900  
 FT9-6GMC 9245800  
 FT9-8GL 9245000  
 FT9-8GLC 9245900  
 FT9-8GLT 9245100  
 FT9-8GM 9245400  
 FT9-8GMC 9246000  
 FT9-8GMT 9245500  
 FT9-8GR 9245200  
 FT9-8GRT 9245300

CM136900 (80dx)  
 CM136700 (40/60/80sx)

673600  
 673500  
 86720

CM061700

1888900 (Ø130) (70 - 90/6)  
 1916900 (Ø140) (90/4-8)

**ID GAS:** □ G30/50 ■ G30/29 ○ G20/20 ● G25/25 ▲ G25/20

 <b>MARENO INDUSTRIE ALI spa</b> Mareno di Piave (TV)	ELABORATO:	APPROVATO:	GRUPPO:	DENOMINAZIONE:		
	G.Z.		Serie 70 - 90	Impianto gas e mobile		
	DATA:	DATA:	PARTICOLARE:	REV. N.	DEL	DISEGNO N.
	02 Mar 1999	02 Mar 1999	Disegno esploso per ricambi	▼	▼	▼
SOST. DIS.	<b>Z01 9908 3P11</b>				<b>3 . P . 11</b>	
				<b>Z 0 2</b>	<b>0 9 1 1</b>	