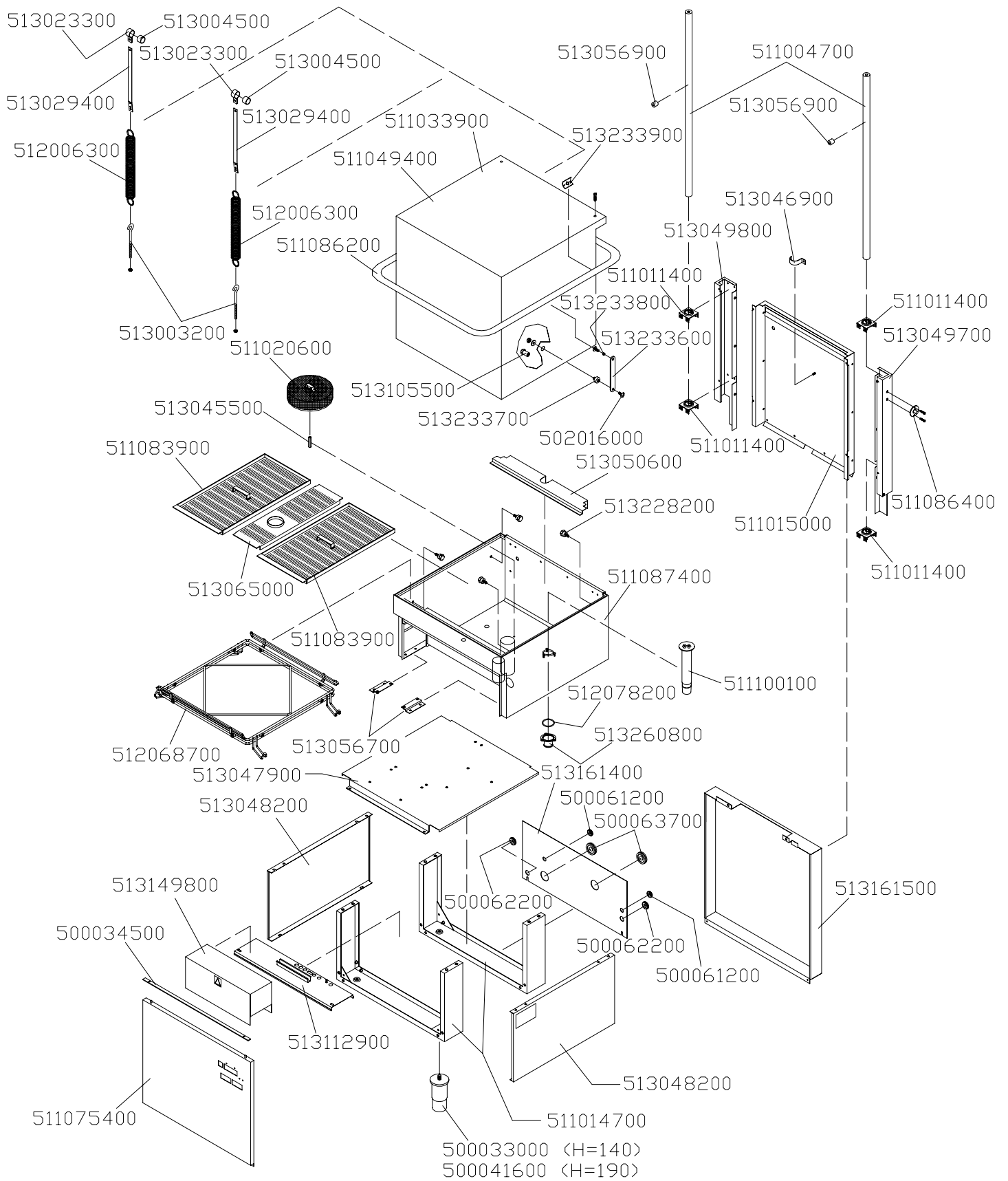


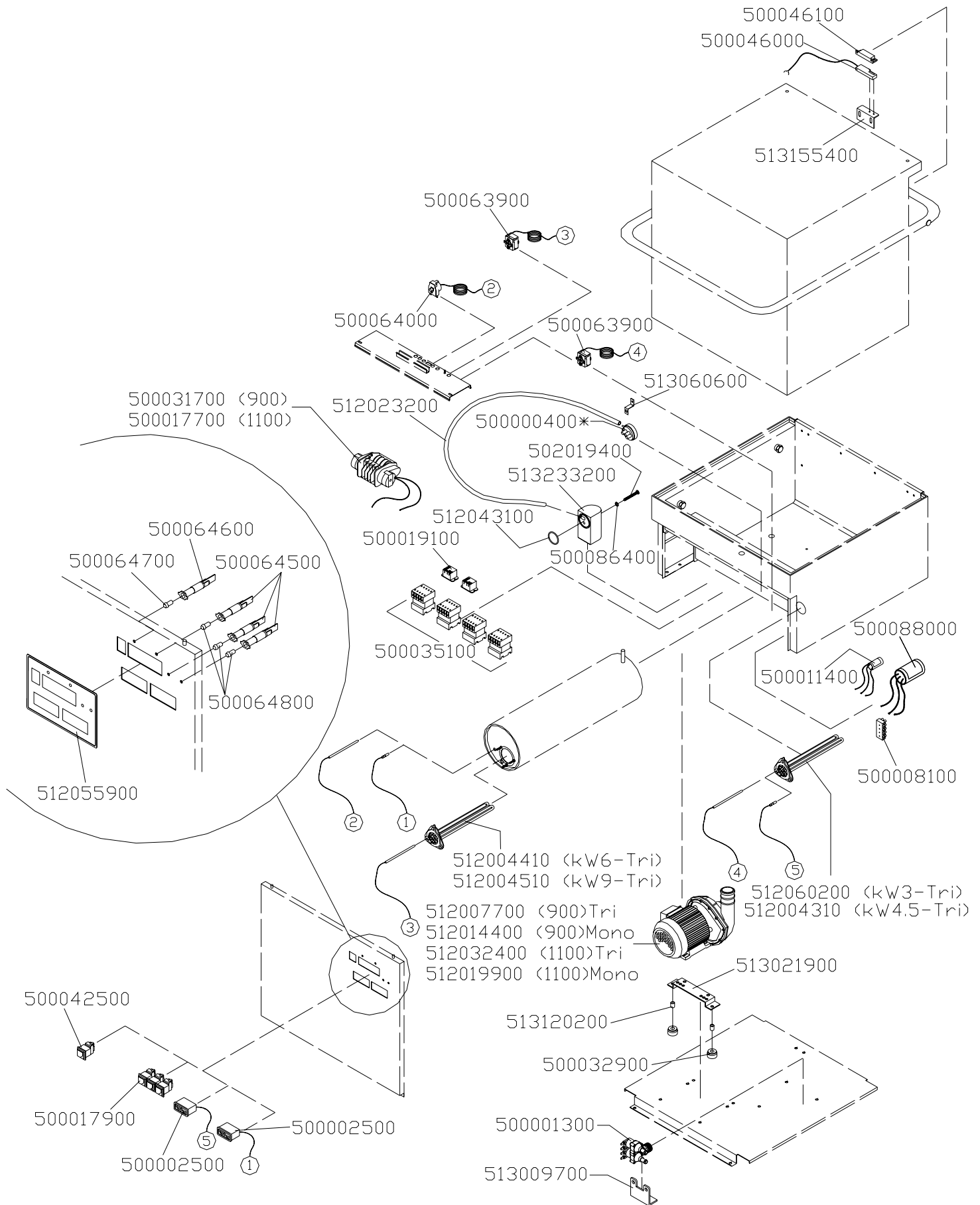
# Mod. MS 900E – MS 1100E



esterno/external



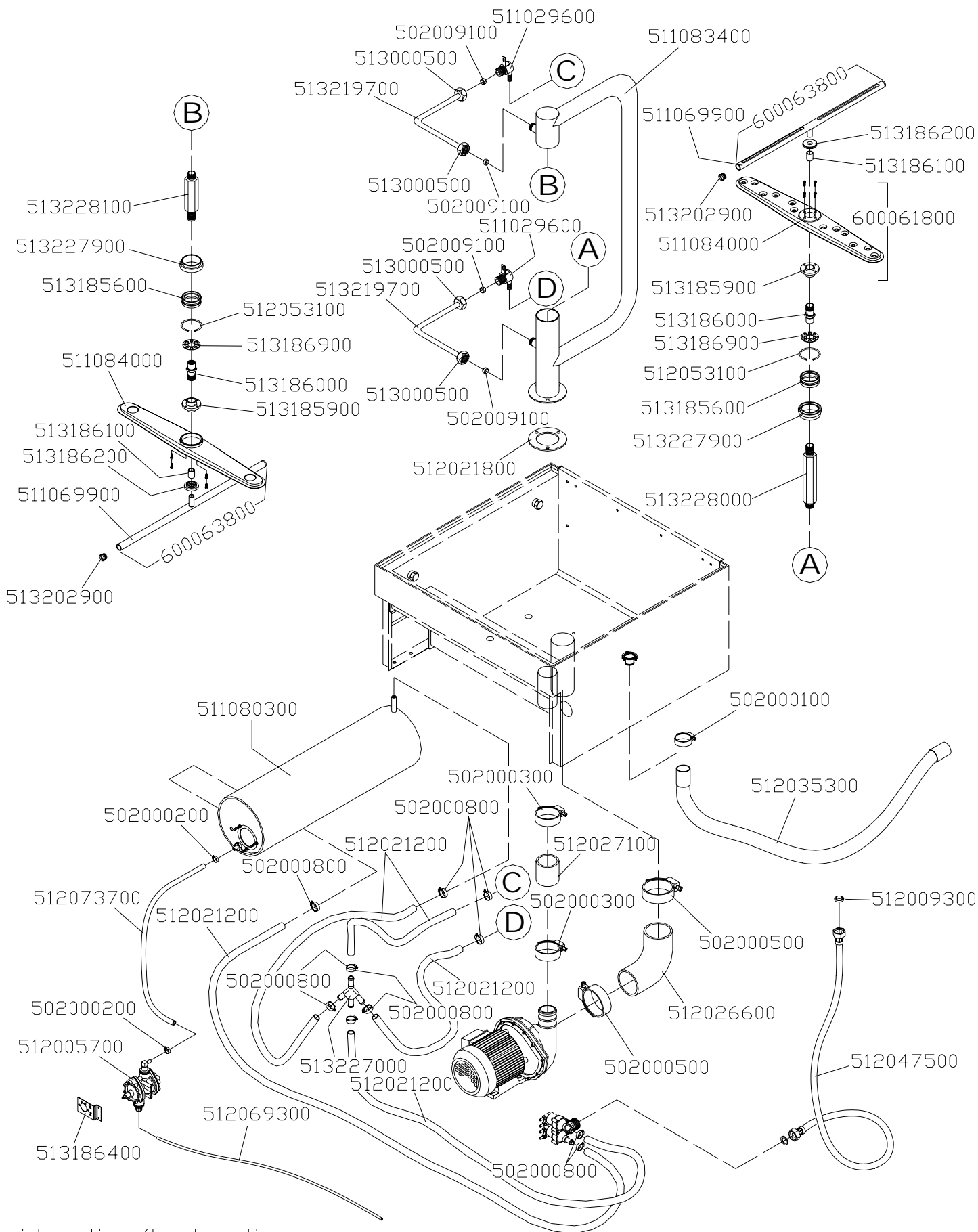
# Mod. MS 900E - MS 1100E



elettrico/electrical



# Mod. MS 900E – MS 1100E



idraulico/hydraulic

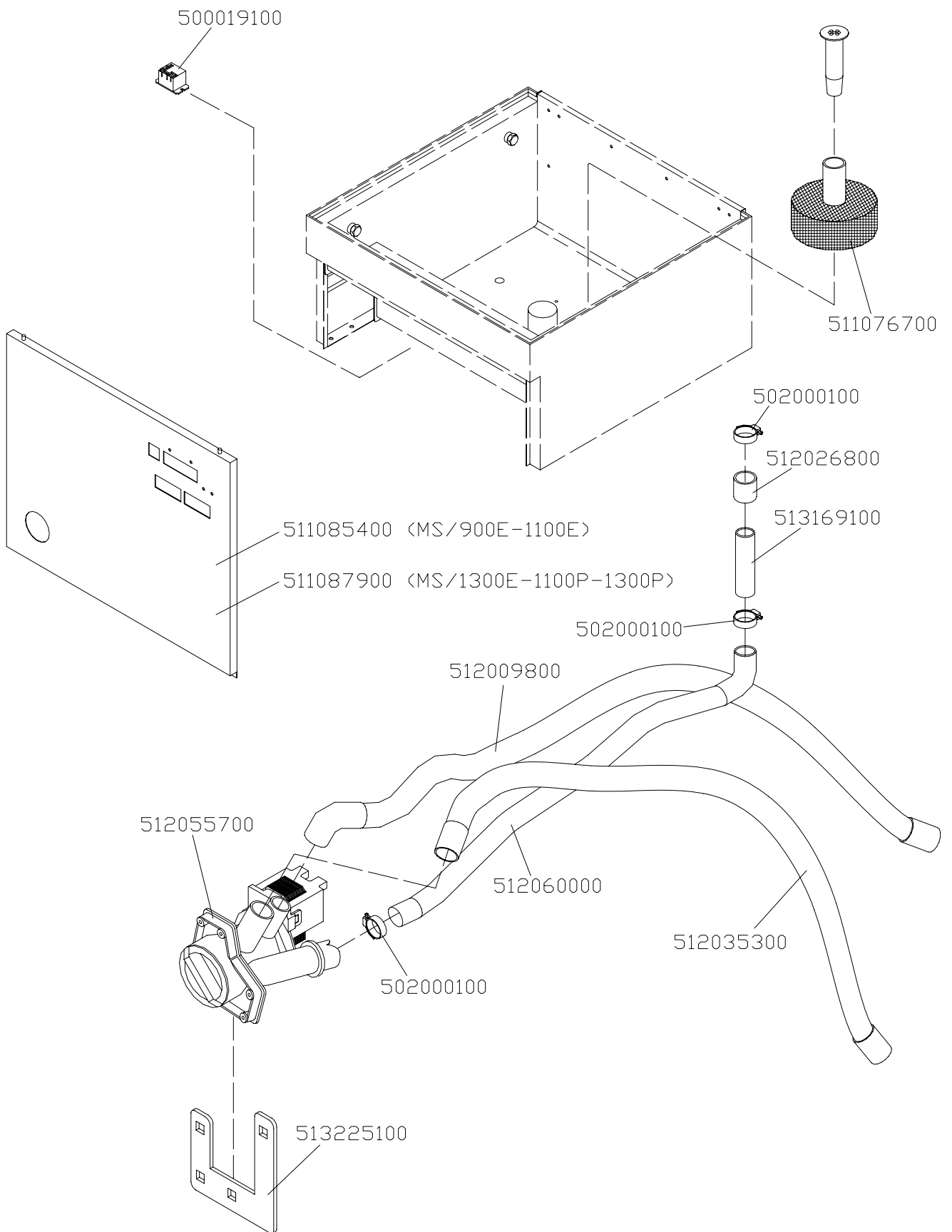








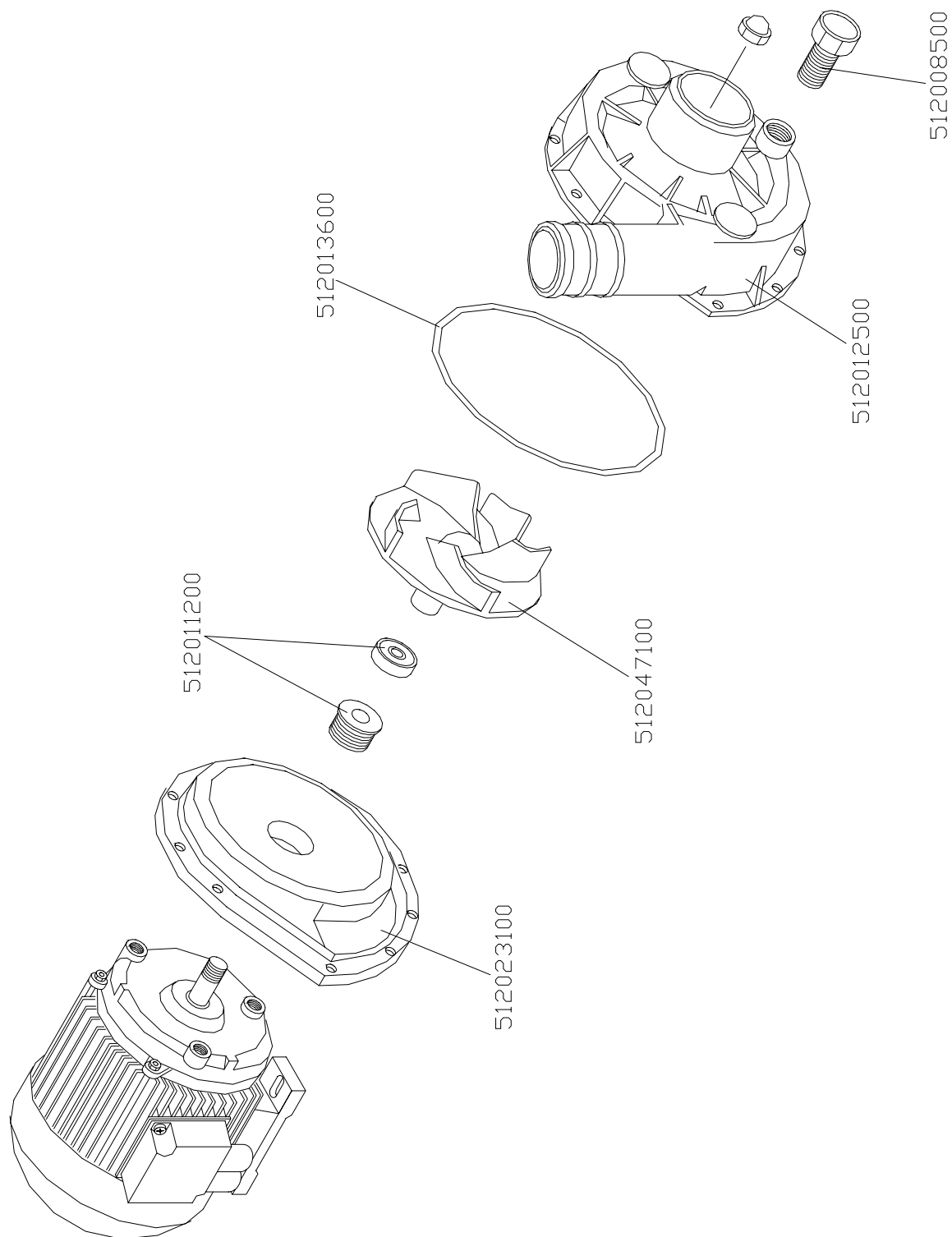
# Mod. Capotte P.S.



con\_pompa\_scarico/with\_drainage\_pump



# POMPA HP 1,5 Monofase (cod. 512019900)



hp1,5mono

