



Dishwashers

L18
LS415
SPARE PARTS

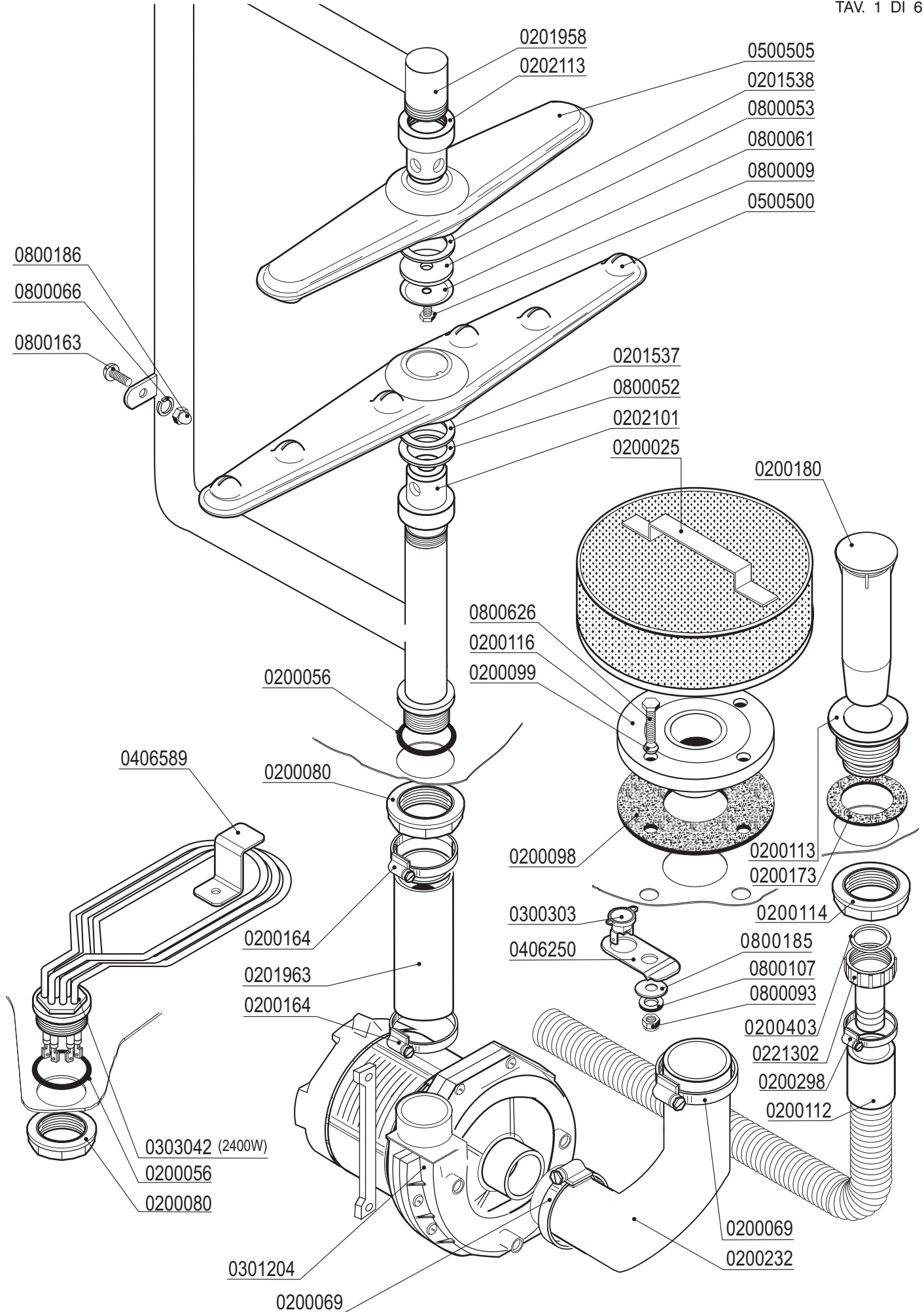
Ed.
01/2015

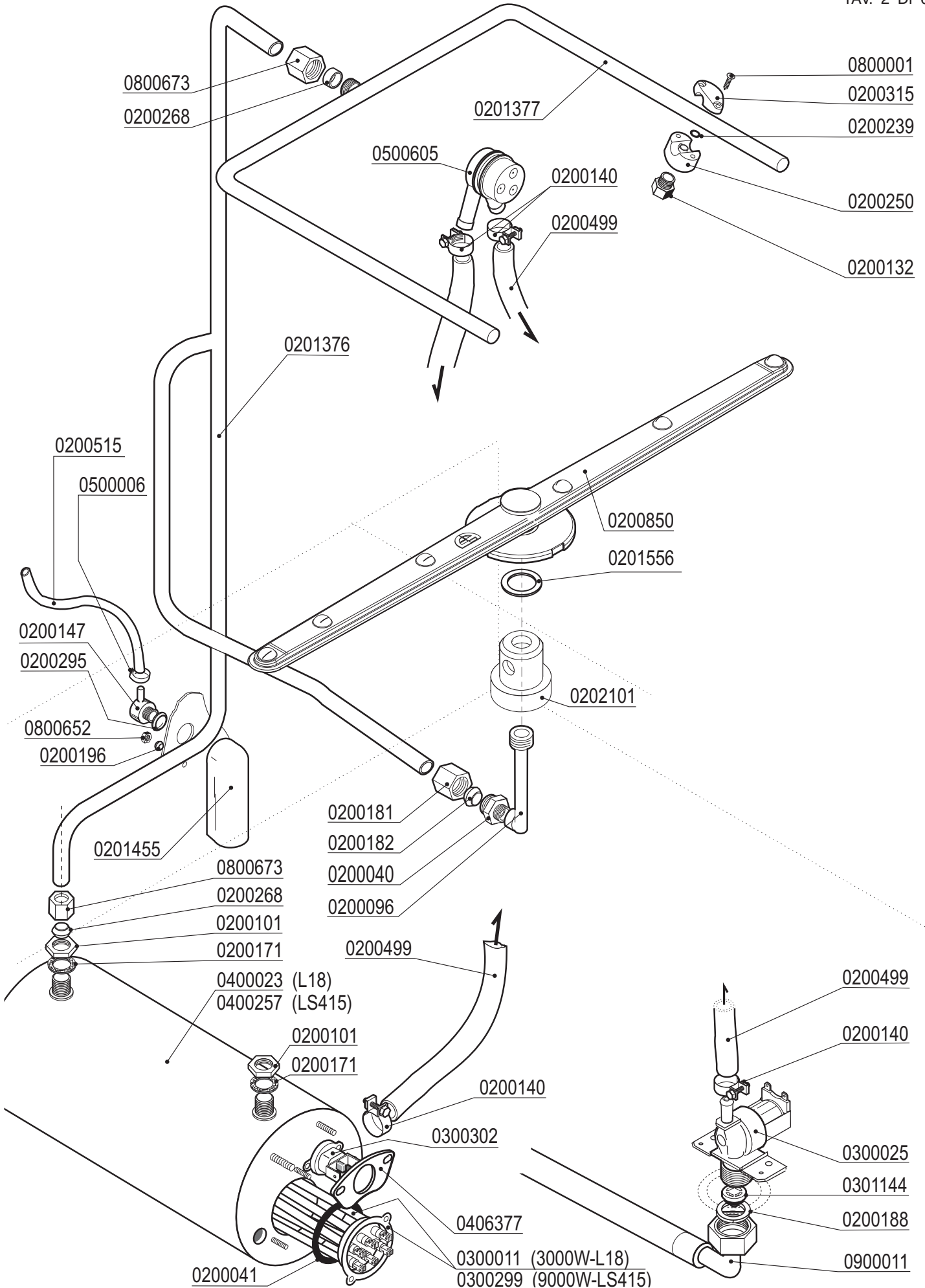
Rev. B

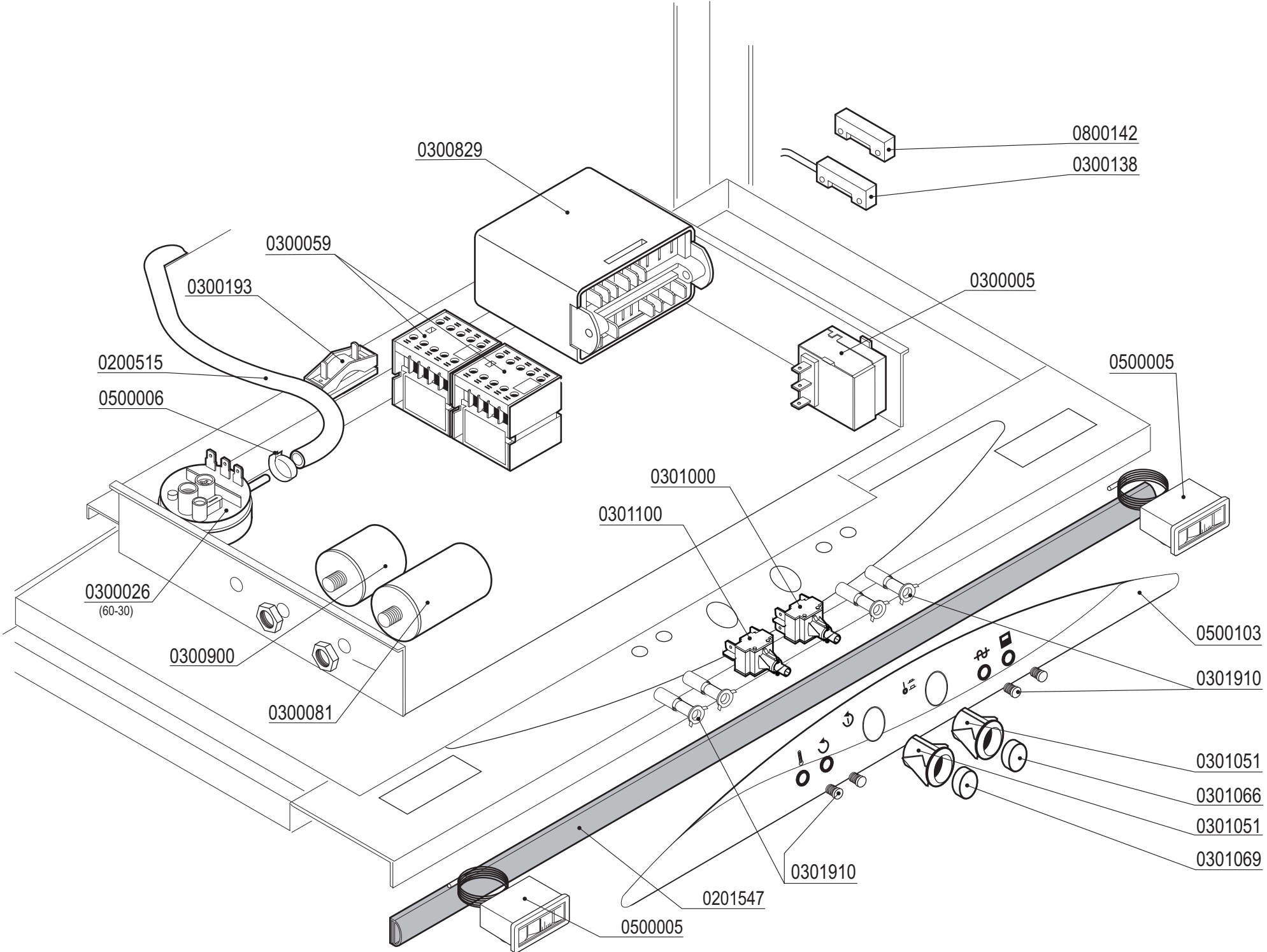
from
01/2008

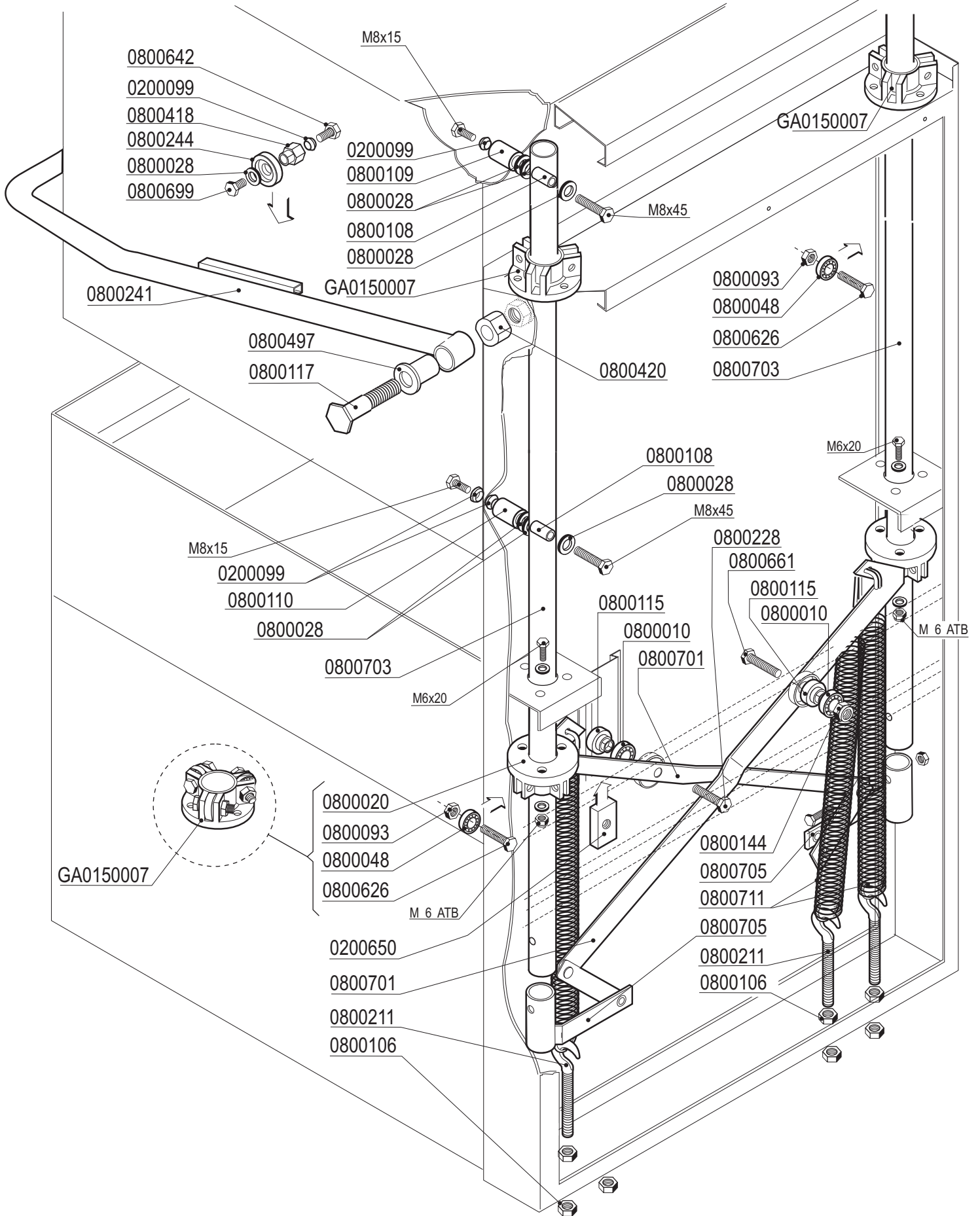
DSP5

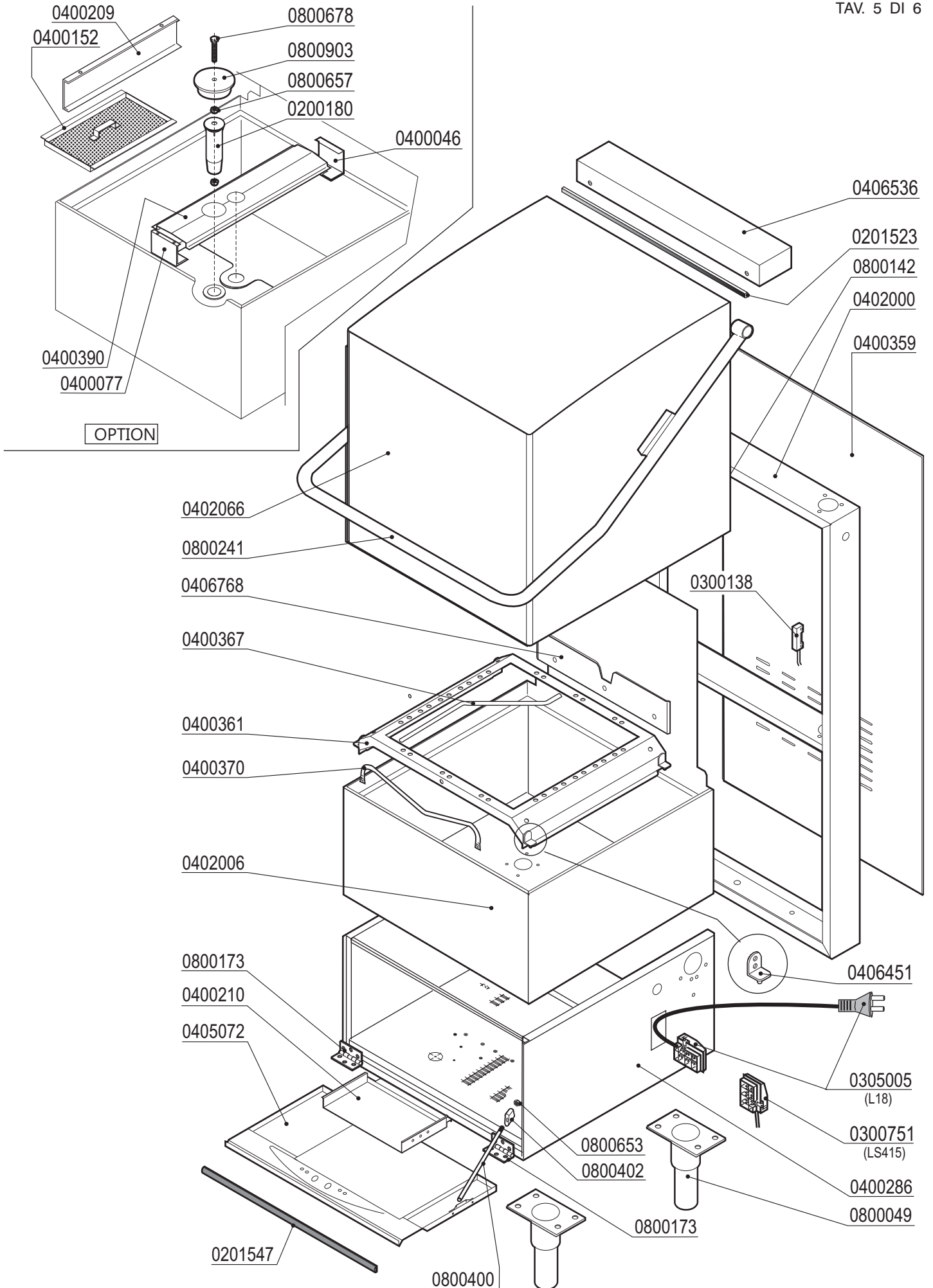
CE

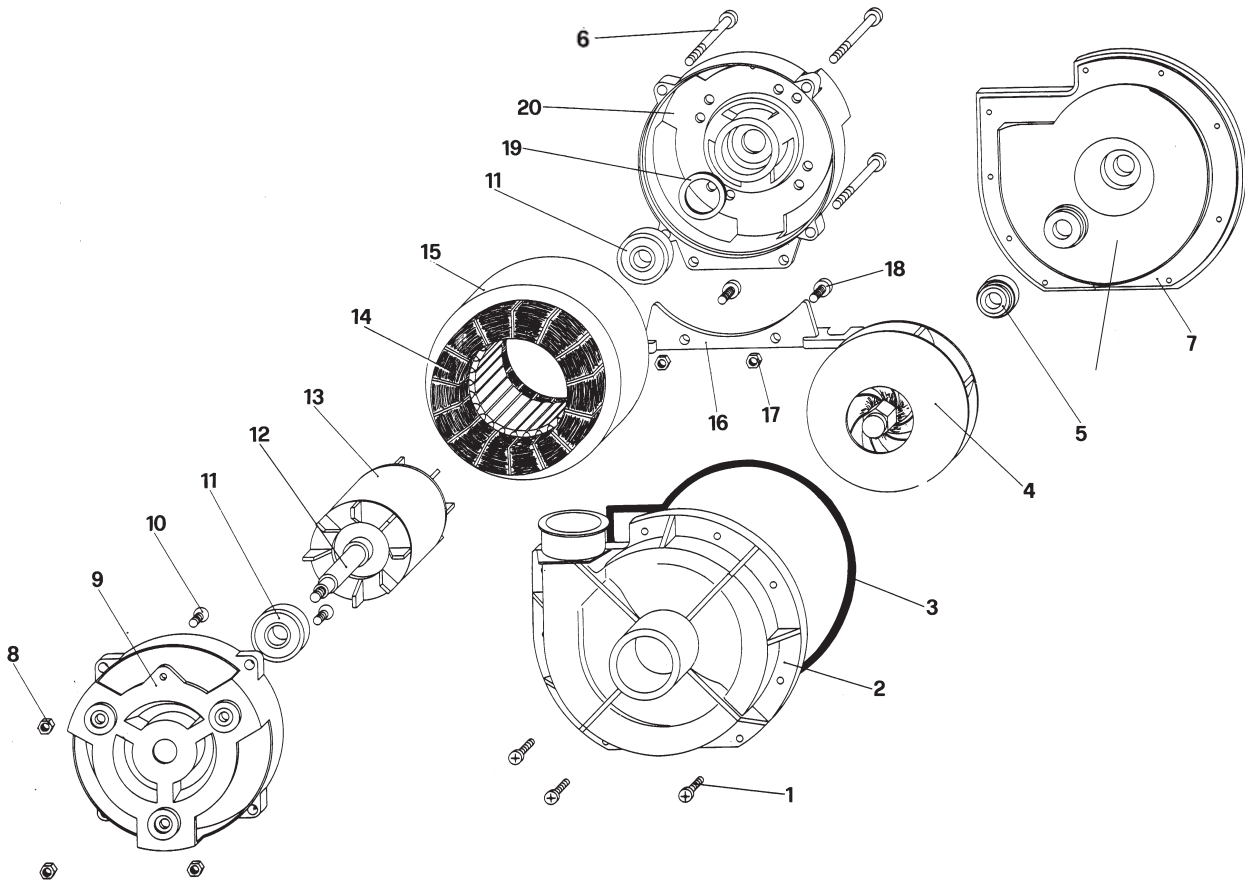












| ZF320 | CODE 0301204 | Power | | Pump delivery | Tension d'alimentation |
|-------|-----------------|-------|-----|---------------|------------------------|
| | | Hp | W | lt/min | Volt |
| | | 0,75 | 650 | 320 | 230 V/1 ~ 50Hz |

| Pos. | Codice | Description |
|------|---------|-----------------|
| 1 | | Screw |
| 2 | 0200598 | Pump body |
| 3 | 0209902 | OR-joint |
| 4 | 0209824 | Impeller |
| 5 | 0200308 | Pump seal group |
| 6 | | Tie rod |
| 7 | | Pump support |
| 8 | | Nut |
| 9 | | Front shield |
| 10 | | Screw |
| 11 | | Ball bearing |
| 12 | | Motor shaft |
| 13 | | Rotor |
| 14 | | Winding |
| 15 | | Stator |
| 16 | | Base |
| 17 | | Nut |
| 18 | | Screw |
| 19 | | Split ring |
| 20 | | Back shield |

