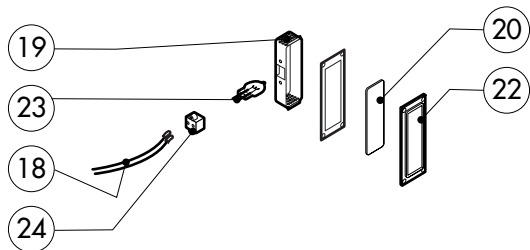
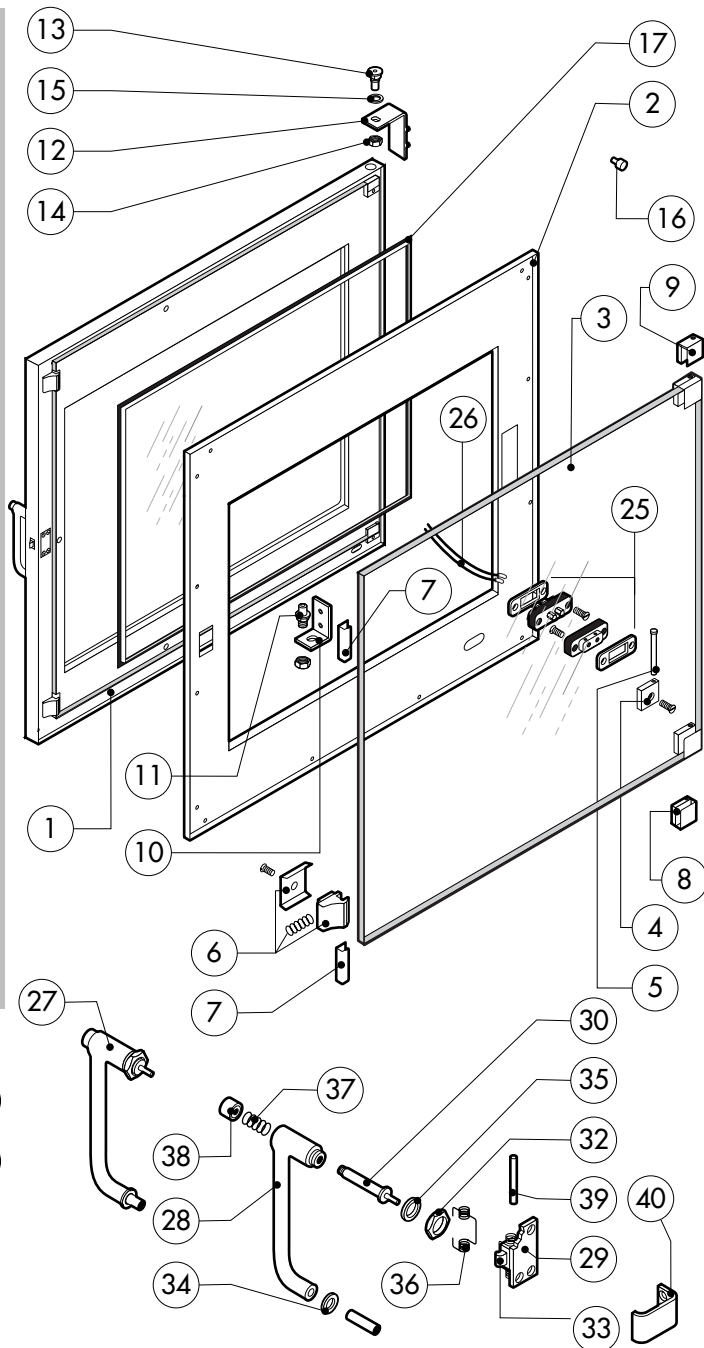
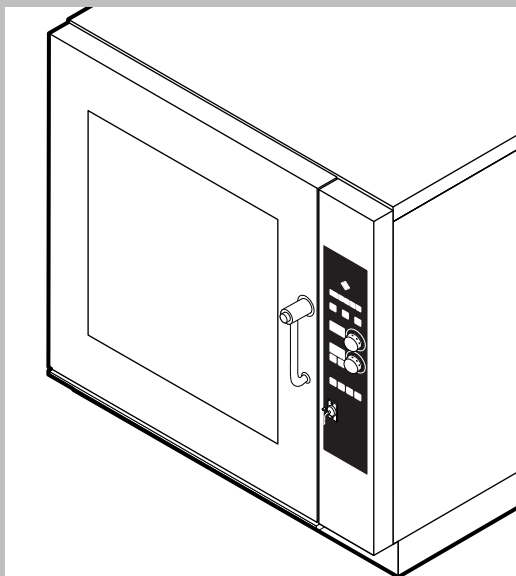


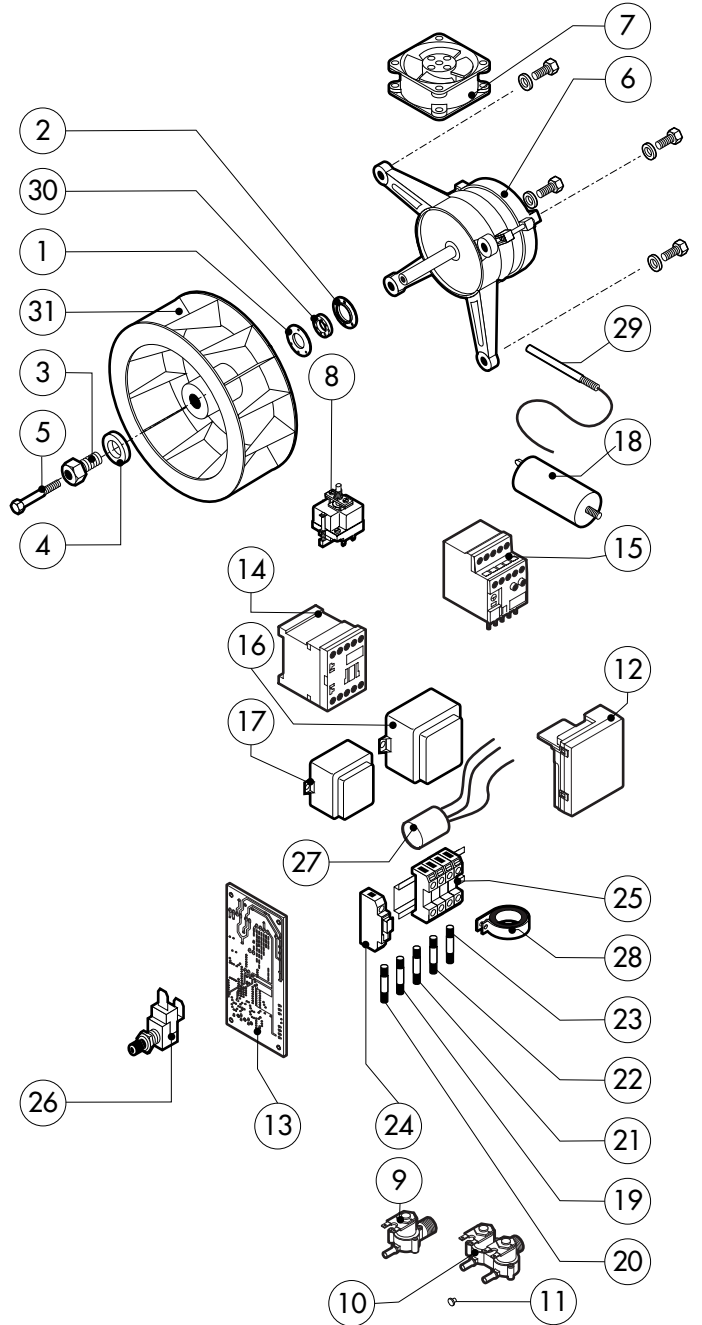
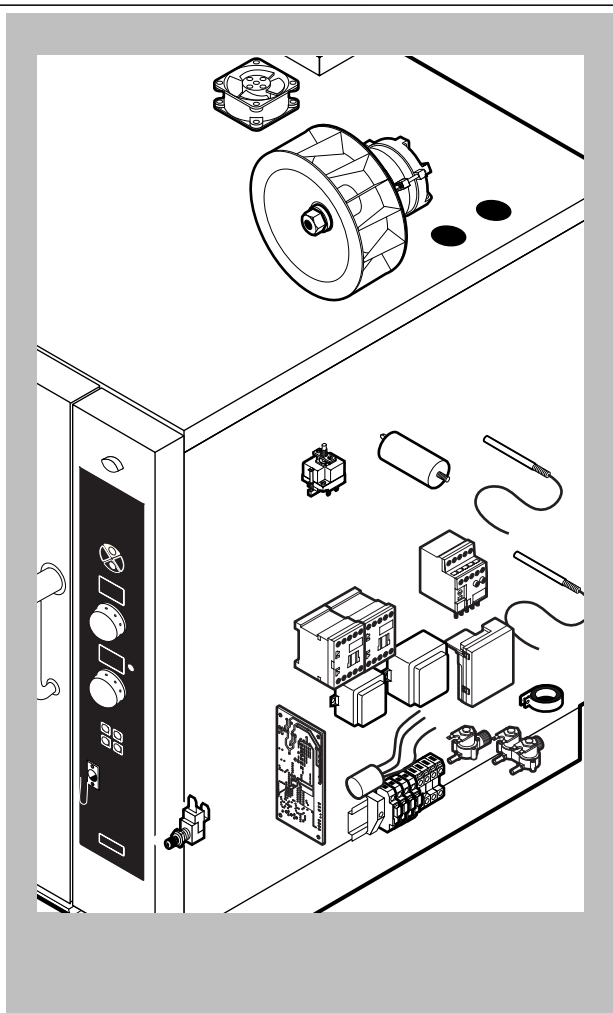
POS.	CODE	PIECES	DESCRIPTION
1	R18100100	1	DOOR ASSEMBLY
2	R18204080	1	CONTROL PANEL
3	R11201980	1	SPRITZER EXTENSION
4	R11200380	1	SPRITZER UNION
5	R18100500	1	COOKING CABINET ASSEMBLY
6	R18412350	1	FAN GUARD PANEL ASSEMBLY
7	R18412430	2	SIDE PANEL
8	R18412420	1	REAR PANEL
9	R18414620	1	COVER PANEL
10	R11207440	1	DRAINAGE PIPE PROTECTION
11	R58006400	4	FAN GUARD FASTENING SCREW
12	R70044240	1	FRONT GASKET
13	R18206100	1	REMOVABLE RACK DX
14	R18206110	1	REMOVABLE RACK SX

POS.	CODE	PIECES	DESCRIPTION



POS.	CODE	PIECES	DESCRIPTION
1	R18206060	1	DOOR
2	R18206070	1	INNER DOOR PANEL
3	R71201520	1	INNER DOOR GLASS
4	R58001760	2	INNER GLASS SOLID HINGE
5	R58001770	2	INNER GLASS HINGE PIN
6	R58001780	2	INNER GLASS CATCH KIT
7	R11401340	2	TOP "C" PROFILE
8	R18203910	1	LOWER SUPPORT GLASS
9	R18203920	1	TOP SUPPORT GLASS
10	R18404500	1	LOWER DOOR HINGE
11	R58002520	1	LOWER HINGE PIN
12	R11200560	1	UPPER DOOR HINGE
13	R58002150	1	HINGE PIN
14	R58004050	2	NUT FOR UPPER DOOR HINGE
15	R10401710	1	WASHER FOR UPPER DOOR HINGE
16	R70050100	6	GLASS SILICON SPACERS
17	R70044150	1	GLASS GASKET
18	R66110320	1	DOOR LAMPS CABLE SET
19	R11401440	1	LAMP COVER
20	R71500150	1	GLASS LAMP
21	R70044200	1	LAMP GASKET

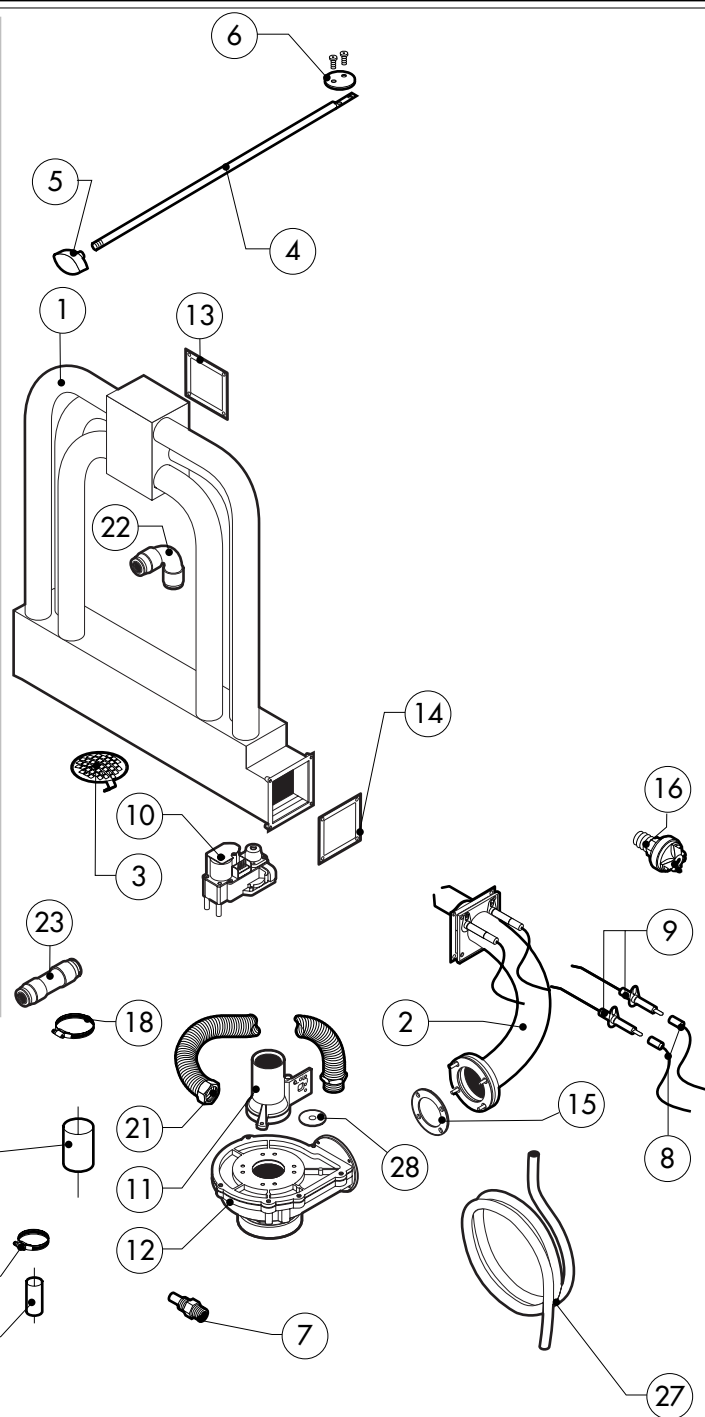
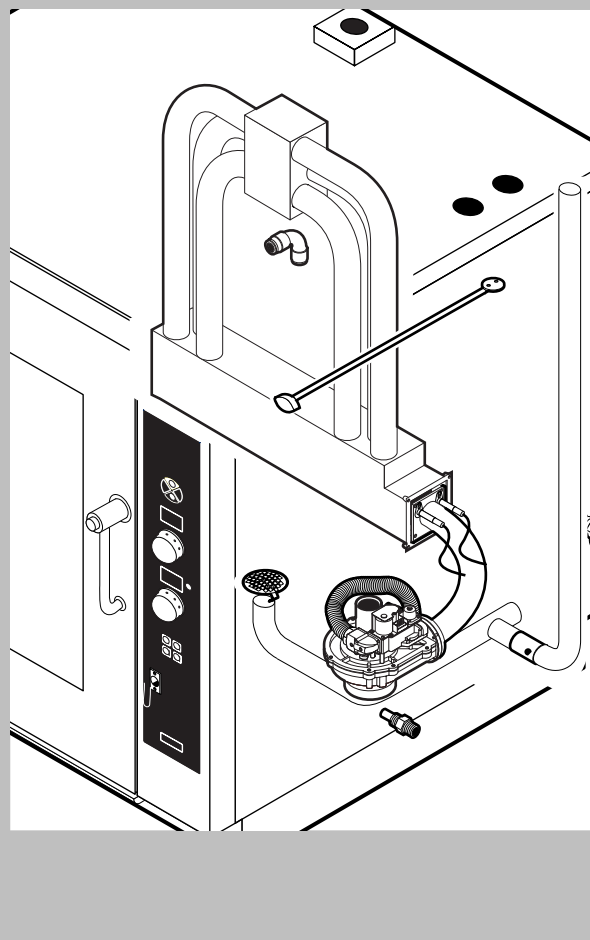
POS.	CODE	PIECES	DESCRIPTION
22	R11401450	1	GLASS HOLDER LAMP FLANGE
23	R65270020	1	LIGHT 20W 12V G4
24	R65270450	1	LIGHT SOCKET
25	R65260750	1	LAMPS CONTACT BLOCK
26	R66110300	1	LAMPS CONTACT CABLE SET
27	R69015000	1	DOOR HANDLE ASSEMBLY
28	R09200230	1	DOOR HANDLE
29	R10100110	1	PRONG FLANGE
30	R58003240	1	DOOR HANDLE BUTTON ROD
31	R58004270	1	DOOR HANDLE SPACER
32	R58004830	1	RING NUT M18x1
33	R58005050	1	DOOR HANDLE PRONG
34	R58005340	1	DOOR HANDLE LOWER INSULATION WASHER
35	R58005350	1	DOOR HANDLE UPPER INSULATION WASHER
36	R61620012	1	DOOR HANDLE CATCH SPRING
37	R61620041	1	DOOR HANDLE BUTTON SPRING
38	R69031190	1	DOOR HANDLE PUSH BUTTON
39	R58002160	1	DOOR HANDLE PRONG PIN
40	R18202020	1	DOOR HANDLE PRONG COUPLER



POS.	CODE	PIECES	DESCRIPTION
1	R58003840	1	MOTOR GASKET BRASS FLANGE
2	R58003850	1	MOTOR GASKET BRASS COUNTER FLANGE
3	R58004000	1	FAN SCREW M12x1.5 SX
4	R58004010	1	FAN WASHER Ø 30/12.5
5	R61020562	1	FAN SCREW TE A2 M6x55
6	*R65040550	1	MOTOR KW 055 F1 4P 200-240V KIT
7	R65060050	2	COMPONENTS VENTILATION MOTOR Ø 120
8	R65070350	1	CHAMBER SAFETY THERMOSTAT
9	R65110200	1	SOLENOID VALVE 220V 50HZ
10	R65110230	1	SOLENOID VALVE 220V 50HZ WITH FLOW REDUCER
11	R65110520	1	22 LT/H WATER FLOW REDUCER
12	R63060120	1	BURNER IGNITION PANEL
13	R63130020	1	GAS BURNER FAN MOTOR PCBOARD
14	*R65140550	2	CONTACTOR DIL 00 M-01 4KW
15	*R65160470	1	THERMIC PROTECTION Z 00-4
16	R65180770	1	TRANSFORMER 50VA
17	R65180420	2	TRANSFORMER 20VA
18	*R65190180	1	CAPACITOR 20 µF
19	R65200200	1	FUSE 2A
20	R65200120	1	FUSE 1A
21	R65200040	1	FUSE 0.500A (T)

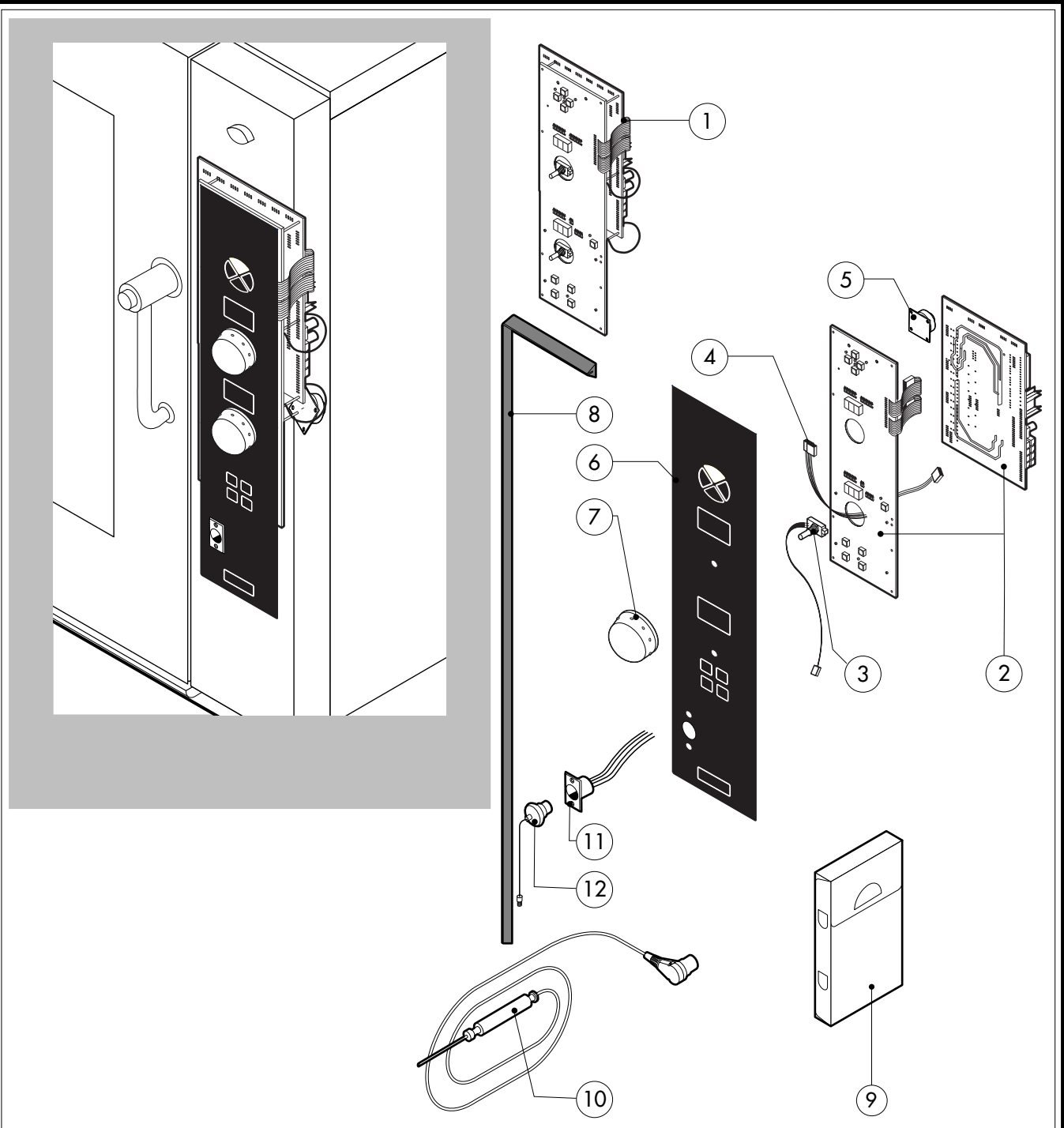
POS.	CODE	PIECES	DESCRIPTION
22	R65200320	1	FUSE 0.25A (T)
23	R65200080	1	FUSE 0.125A (T)
24	R65210020	5	FUSE CARRIER
25	R65220220	1	TERMINAL BOARD
26	R65260540	1	DOOR SWITCH
27	*R65280210	1	INTERFERENCE SUPPRESSOR
28	*R65280450	1	FERRITE
29	R65325000	2	PROBE PT100
30	R70020050	1	MOTOR GASKET
31	*R75400440	1	FAN Ø 350x114/12.50HZ P.D. KIT

*COMPONENT SUBMITTED TO CHANGEMENTS CAUSED BY TENSION DIFFERENT FROM THE STANDARD (AC 230V 50HZ)



POS.	CODE	PIECES	DESCRIPTION
1	R18207970	1	HEAT EXCHANGER ACCESSORIES INCLUDED
2	R11205790	1	BURNER ASSEMBLY
3	R10201710	1	DRAIN FILTER
4	R58003620	1	CHAMBER VENT ROD
5	R69010410	1	STEAM OUTLET KNOB
6	R04403460	1	CHAMBER VENT PLATE Ø 46
7	R58006130	1	STEAM QUENCHING NOZZLE Ø 1
8	R66110370	1	FLAME IGNITION CABLE/FLAME SENSOR CABLE
9	R63050100	2	IGNITOR
10	R63020170	1	GAS SOLENOID VALVE
11	R63120030	1	VENTURI TUBE
12	R63130010	1	GAS BURNER FAN MOTOR
13	R63140020	2	DRAIN/HEAT EXCHANGER GASKET
14	R63140060	2	BURNER/HEAT EXCHANGER GASKET
15	R63140050	1	BURNER/FAN MOTOR GASKET
16	R63070010	1	GAS SAFETY PRESSURE SWITCH PG 901.61
17	R61630011	2	METAL CLAMPS 12-22/9
18	R61630021	2	METAL CLAMPS 30-45/9
19	R70060010	1	SILICON COUPLING Ø 30

POS.	CODE	PIECES	DESCRIPTION
20	R70060080	1	SILICON COUPLING Ø 13
21	R62180082	1	GAS INLET FLEXIBLE PIPE
22	R62090478	6	ELBOW MIDDLING PIPE FITTING D.10
23	R62090458	1	STRAIGHT MIDDLING PIPE FITTING D.10
24	R62090518	1	10X1/4 END SIDE PIPE FITTING (WITH TANG)
25	R62030118	1	1/8"-1/4" FEMALE REDUCTION COUPLING
26	R63070050	1	WATER SAFETY PRESSURE SWITCH 1/8" 0,5-0,35 BAR
27	R70070060	1	PE D.10 MM X7 WATER FLEXIBLE PIPE (2 MT LONG)
28	R58004200	1	ORIFICE (FOR VERSION LIQUID GAS)



POS.	CODE	PIECES	DESCRIPTION
1	R65301300	1	CONTROL PANEL P.C. BOARD
2	R65301320	1	RELAY AND FRONT PC BOARD "D" MOD
3	R65301450	2	FRONT PC BOARD ENCODER
4	R65301340	1	PC BOARD FLAT CABLE
5	R65301440	1	PC BOARD BUZZER
6	R67451400	1	PLATE
7	R69030260	2	KNOB
8	R70044260	1	CONTROL PANEL GASKET
9	R86020420	1	CORE TEMPERATURE PROBE BOX
10	R65321120	1	CORE TEMPERATURE PROBE
11	R65320920	1	CORE TEMPERATURE PROBE FEMALE CONNECTOR
12	R65321020	1	COVER FOR FEMALE CONNECTOR

POS.	CODE	PIECES	DESCRIPTION