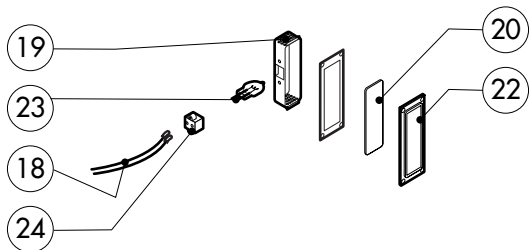
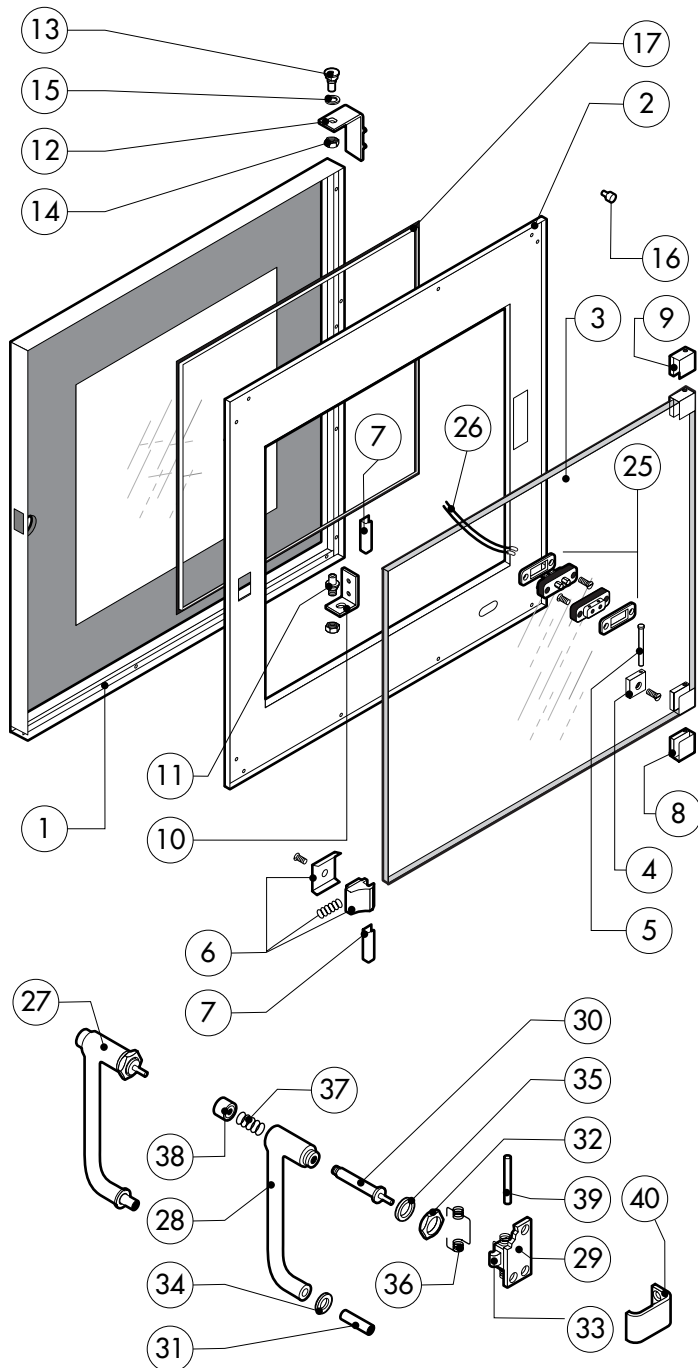
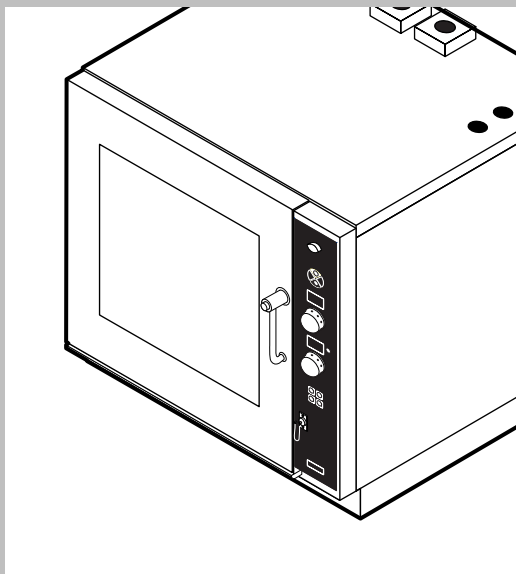


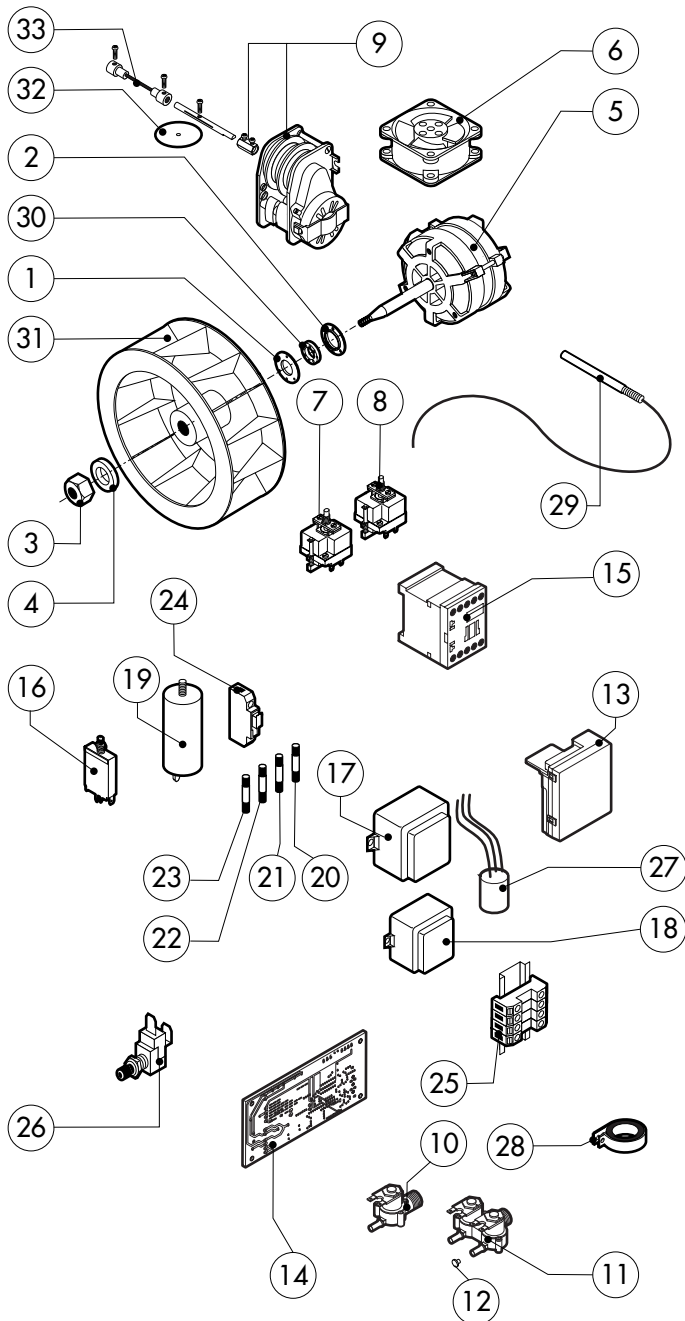
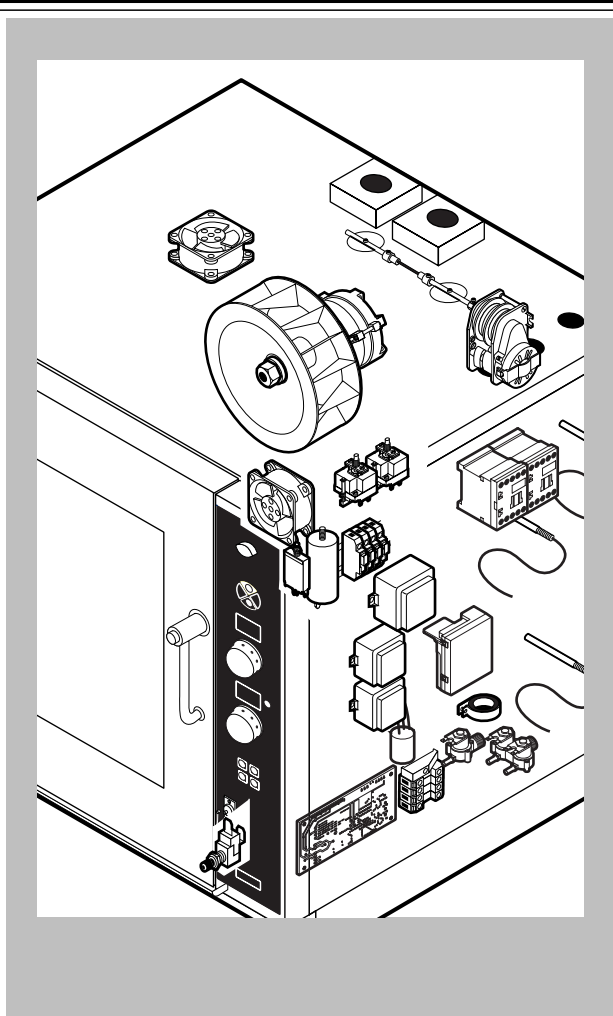
POS.	CODE	PIECES	DESCRIPTION
1	R18100040	1	DOOR ASSEMBLY
2	R18201910	1	CONTROL PANEL
3	R11200650	1	SPRITZER EXTENSION
4	R11200380	1	SPRITZER UNION
5	R18100400	1	COOKING CABINET ASSEMBLY
6	R18404240	1	FAN GUARD PANEL ASSEMBLY
7	R18404330	2	SIDE PANEL
8	R18404320	1	REAR PANEL
9	R18406510	1	COVER PANEL
10	R11402980	2	DRAINAGE PIPE PROTECTION
11	R58006400	4	FAN GUARD FASTENING SCREW
12	R70044230	1	FRONT GASKET
13	R18201830	1	REMOVABLE RACK DX
14	R18201840	1	REMOVABLE RACK SX

POS.	CODE	PIECES	DESCRIPTION



POS.	CODE	PIECES	DESCRIPTION
1	R18202060	1	DOOR
2	R18202010	1	INNER DOOR PANEL
3	R71201500	1	INNER DOOR GLASS
4	R58001760	2	INNER GLASS SOLID HINGE
5	R58001770	2	INNER GLASS HINGE PIN
6	R58001780	2	INNER GLASS CATCH KIT
7	R11401340	2	TOP "C" PROFILE
8	R18203910	1	LOWER SUPPORT GLASS
9	R18203920	1	TOP SUPPORT GLASS
10	R18404500	1	LOWER DOOR HINGE
11	R58002520	1	LOWER HINGE PIN
12	R11200560	1	UPPER DOOR HINGE
13	R58002150	1	HINGE PIN
14	R58004050	2	NUT FOR UPPER DOOR HINGE
15	R10401710	1	WASHER FOR UPPER DOOR HINGE
16	R70050100	6	GLASS SILICON SPACERS
17	R70044650	1	GLASS GASKET
18	R66110320	1	DOOR LAMPS CABLE SET
19	R11401440	1	LAMP COVER
20	R71500150	1	GLASS LAMP
21	R70044200	1	LAMP GASKET

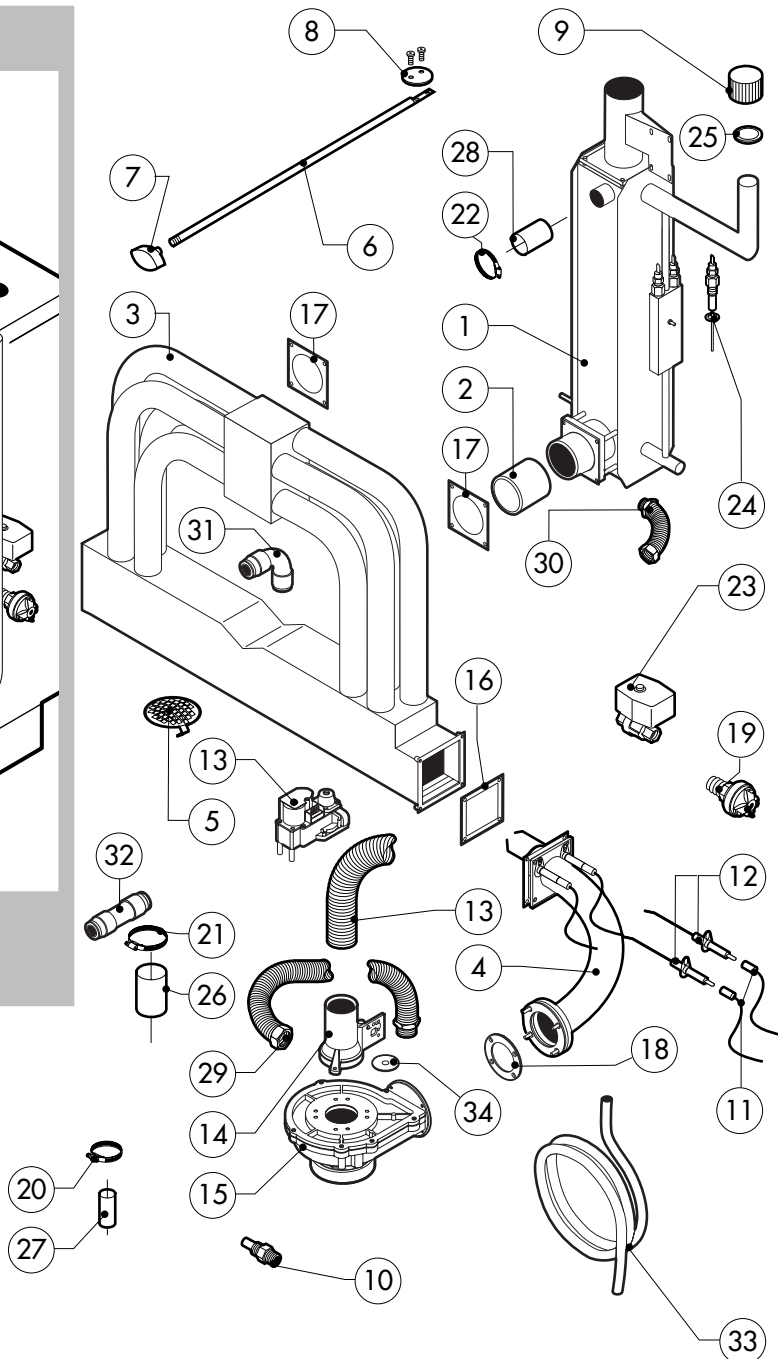
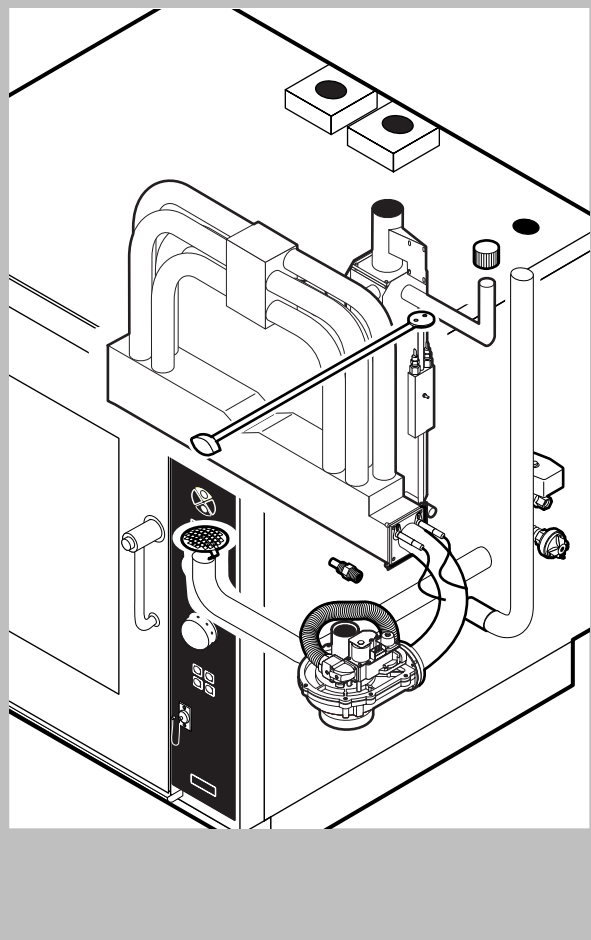
POS.	CODE	PIECES	DESCRIPTION
22	R11401450	1	GLASS HOLDER LAMP FLANGE
23	R65270020	1	LIGHT 20W 12V G4
24	R65270450	1	LIGHT SOCKET
25	R65260750	1	LAMPS CONTACT BLOCK
26	R66110300	1	LAMPS CONTACT CABLE SET
27	R69015000	1	DOOR HANDLE ASSEMBLY
28	R09200230	1	DOOR HANDLE
29	R10100110	1	PRONG FLANGE
30	R58003240	1	DOOR HANDLE BUTTON ROD
31	R58004270	1	DOOR HANDLE SPACER
32	R58004830	1	RING NUT M18x1
33	R58005050	1	DOOR HANDLE PRONG
34	R58005340	1	DOOR HANDLE LOWER INSULATION WASHER
35	R58005350	1	DOOR HANDLE UPPER INSULATION WASHER
36	R61620012	1	DOOR HANDLE CATCH SPRING
37	R61620041	1	DOOR HANDLE BUTTON SPRING
38	R69031190	1	DOOR HANDLE PUSH BUTTON
39	R58002160	1	DOOR HANDLE PRONG PIN
40	R18202020	1	DOOR HANDLE PRONG COUPLER



POS.	CODE	PIECES	DESCRIPTION
1	R58003860	1	MOTOR GASKET BRASS FLANGE
2	R58003870	1	MOTOR GASKET BRASS COUNTER FLANGE
3	R58004020	1	FAN SECURITY NUT M10 SX
4	R61400052	1	FAN WASHER Ø 21/10.5
5	*R65040421	1	MOTOR KW 025 2P 220-240V KIT
6	R65060050	2	COMPONENTS VENTILATION MOTOR Ø 120
7	R65070350	1	CHAMBER SAFETY THERMOSTAT
8	R65070081	1	STEAM GENERATOR SAFETY THERMOSTAT
9	R65090240	1	DRAIN MOTOR
10	R65110200	1	SOLENOID VALVE 220V 50HZ
11	R65110210	1	SOLENOID VALVE 220V 50HZ WITH FLOW REDUCER
12	R65110500	1	10 LT/H WATER FLOW REDUCER
13	R63060120	1	BURNER IGNITION PANEL
14	R63130020	1	GAS BURNER FAN MOTOR PCBOARD
15	*R65140550	2	CONTACTOR DIL 00 M-01 4KW
16	*R65160320	1	THERMIC PROTECTION T12-211S-2A
17	R65180770	1	TRANSFORMER 50VA
18	R65180420	2	TRANSFORMER 20VA
19	*R65190180	1	CAPACITOR 10 µF
20	R65200200	1	FUSE 2A
21	R65200120	1	FUSE 1A

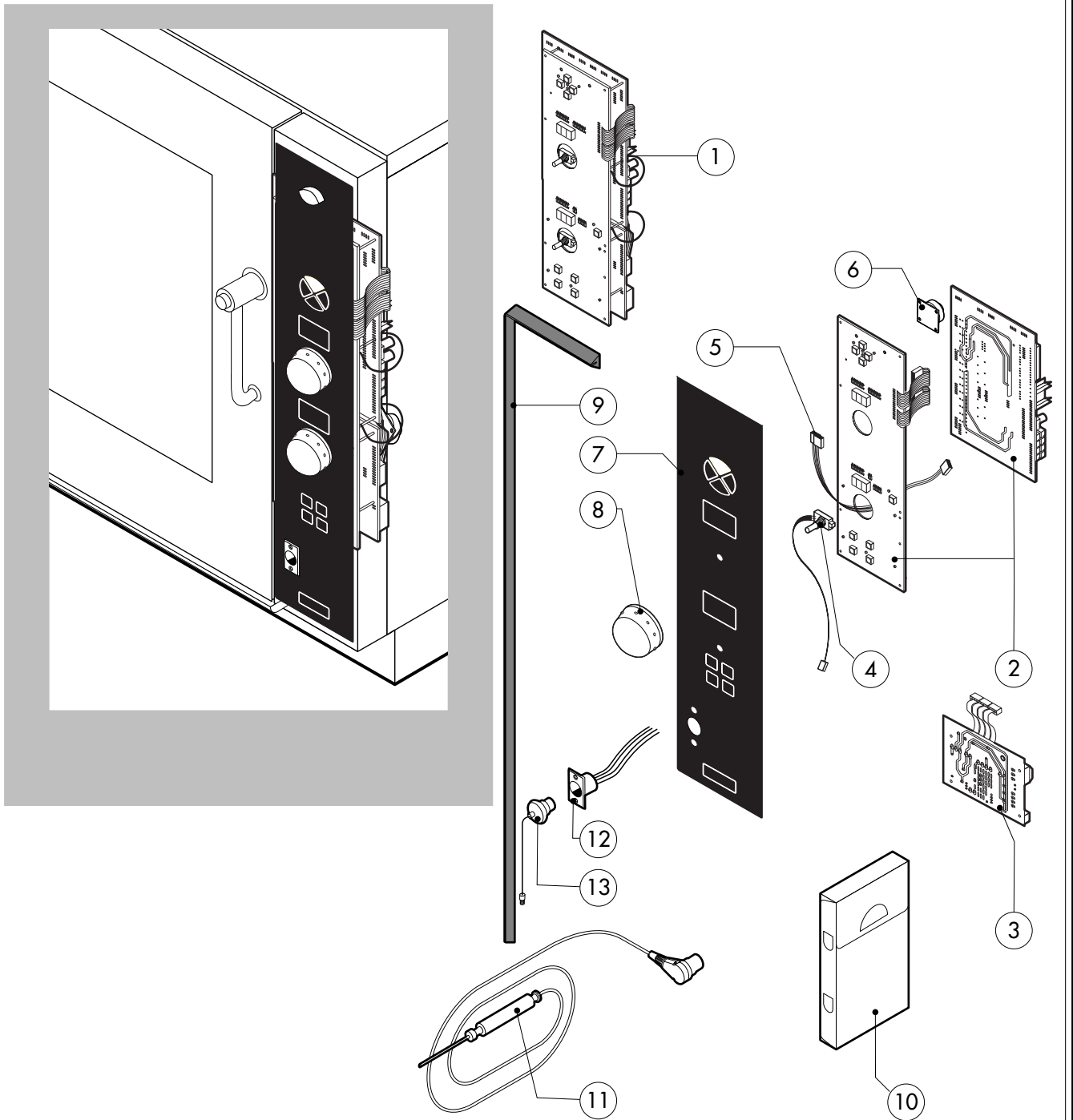
POS.	CODE	PIECES	DESCRIPTION
22	R65200040	1	FUSE 0.500A (T)
23	R65200080	1	FUSE 0.125A (T)
24	R65210020	4	FUSE CARRIER
25	R65220220	1	TERMINAL BOARD
26	R65260540	1	DOOR SWITCH
27	*R65280210	1	INTERFERENCE SUPPRESSOR
28	*R65280450	1	FERRITE
29	R65325000	3	PROBE PT100
30	R70020040	1	MOTOR GASKET
31	*R75400400	1	FAN Ø 220x78/12 50HZ P.D. KIT
32	R11402840	2	SMOKES OUTKET PLATE
33	R61660000	1	CARDAN JOINT

*COMPONENT SUBMITTED TO CHANGEMENTS CAUSED BY TENSION DIFFERENT FROM THE STANDARD (AC 230V 50HZ)



POS.	CODE	PIECES	DESCRIPTION
1	R18100210	1	STEAM GENERATOR ASSEMBLY
2	R70080000	1	CERAMIC PROTECTION TUBE
3	R18202830	1	HEAT EXCHANGER ACCESSORIES INCLUDED
4	R11201260	1	BURNER ASSEMBLY
5	R10201700	1	DRAIN FILTER
6	R58003600	1	CHAMBER VENT ROD
7	R69010410	1	STEAM OUTLET KNOB
8	R04403460	1	CHAMBER VENT PLATE Ø 46
9	R58005680	1	STEAM GENERATOR DESCALING CAP 1"1/4 F
10	R58006130	1	STEAM QUENCHING NOZZLE Ø 1
11	R66110370	1	FLAME IGNITION CABLE/FLAME SENSOR CABLE
12	R63050070	2	IGNITOR
13	R63020170	1	GAS SOLENOID VALVE
14	R63120020	1	VENTURI TUBE
15	R63130010	1	GAS BURNER FAN MOTOR
16	R63140000	2	BURNER/HEAT EXCHANGER GASKET
17	R63140010	4	BOILER/HEAT EXCHANGER GASKET
18	R63140050	1	BURNER/FAN MOTOR GASKET
19	R63070010	1	GAS SAFETY PRESSURE SWITCH PG 901.61

POS.	CODE	PIECES	DESCRIPTION
20	R61630011	2	METAL CLAMPS 12-22/9
21	R61630021	2	METAL CLAMPS 30-45/9
22	R61630100	2	METAL CLAMPS 32-44/12
23	R65110560	1	STEAM GENERATOR DRAIN MOTORIZED VALVE
24	R65320010	2	STEAM GENERATOR LEVEL PROBE
25	R70050040	1	STEAM GENERATOR CAP GASKET
26	R70060010	1	SILICON COUPLING Ø 30
27	R70060080	1	SILICON COUPLING Ø 13
28	R70060030	1	SILICON COUPLING Ø 40
29	R62180082	1	GAS INLET FLEXIBLE PIPE
30	R62180022	1	FLEXIBLE PIPE FOR BOILER DESCALING
31	R62090478	5	ELBOW MIDDLING PIPE FITTING D.10
32	R62090458	1	STRAIGHT MIDDLING PIPE FITTING D.10
33	R70070050	1	PE D.10 MM X7 WATER FLEXIBLE PIPE (3 MT LONG)
34	R58004180	1	ORIFICE



POS.	CODE	PIECES	DESCRIPTION
1	R65301310	1	CONTROL PANEL P.C. BOARD
2	R65301320	1	RELAY AND FRONT PC BOARD "D" MOD
3	R65301480	1	BOILER CONTROL PC BOARD "H-P" MOD
4	R65301450	2	FRONT PC BOARD ENCODER
5	R65301340	1	PC BOARD FLAT CABLE
6	R65301440	1	PC BOARD BUZZER
7	R67451400	1	PLATE
8	R69030260	2	KNOB
9	R70044250	1	CONTROL PANEL GASKET
10	R86020420	1	CORE TEMPERATURE PROBE BOX
11	R65321120	1	CORE TEMPERATURE PROBE
12	R65320920	1	CORE TEMPERATURE PROBE FEMALE CONNECTOR
13	R65321020	1	COVER FOR FEMALE CONNECTOR

POS.	CODE	PIECES	DESCRIPTION