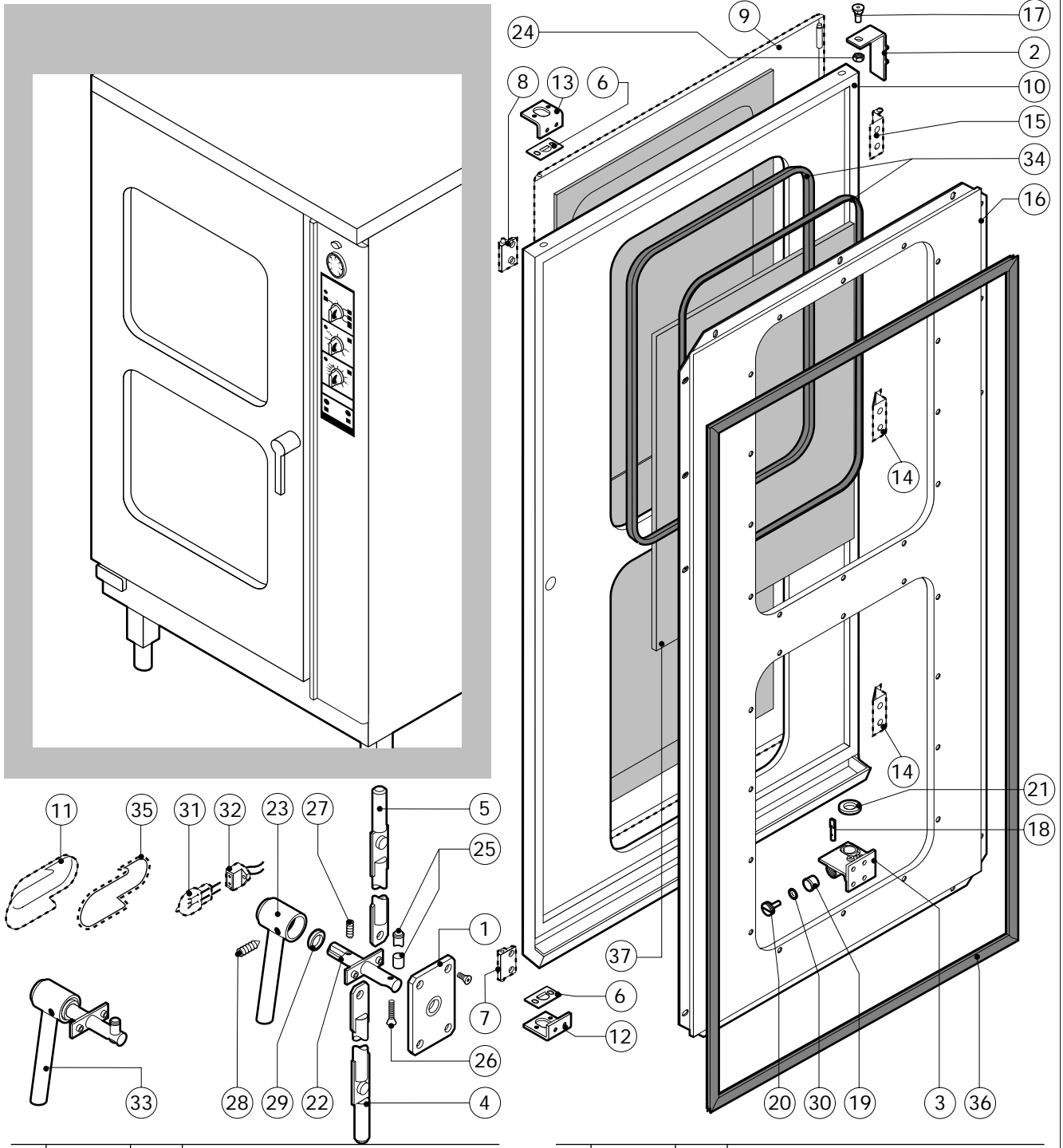


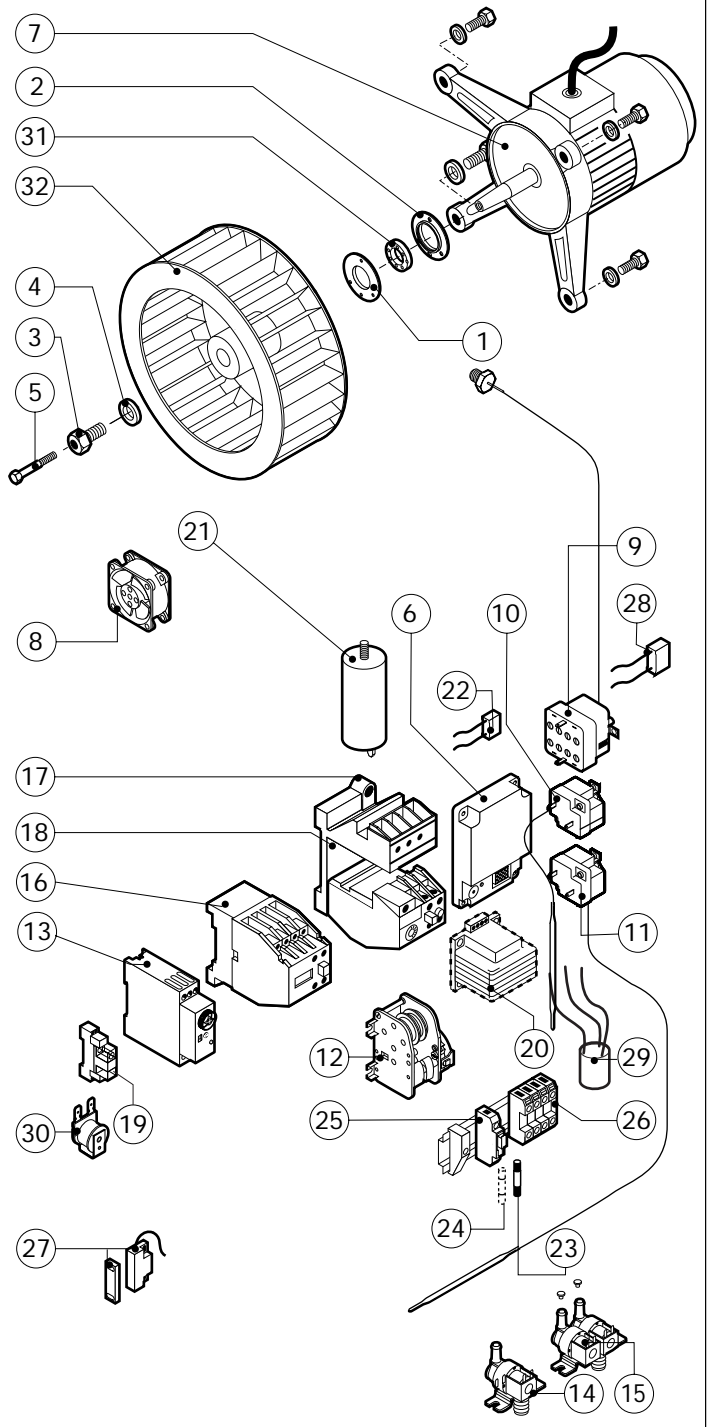
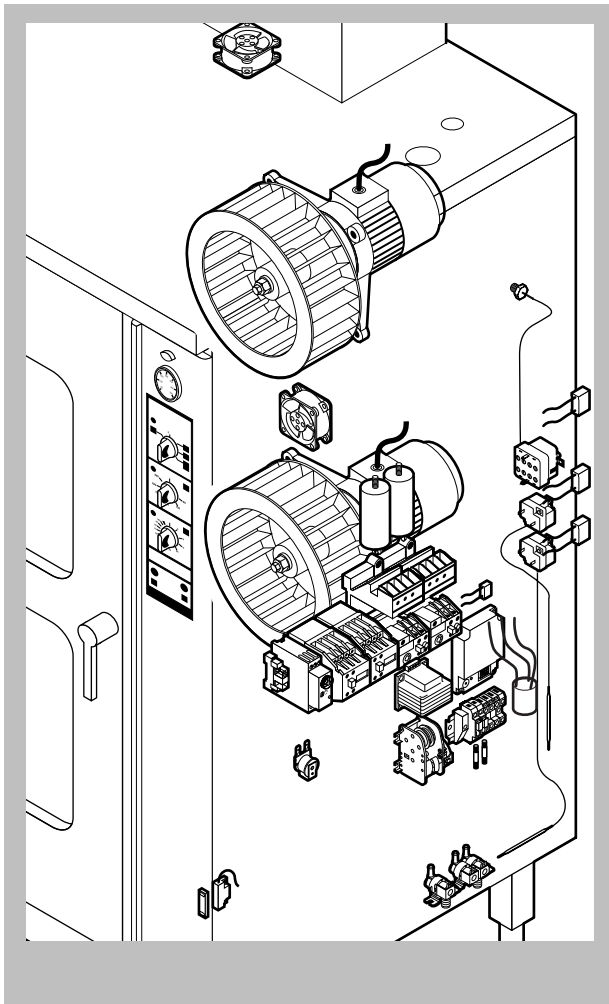
POS.	CODE	PIECES	DESCRIPTION
1	R10105120	1	DOOR ASSEMBLY
2	R10105130	1	DOOR ASSEMBLY WITH LIGHTS
3	R10105140	1	DOOR ASSEMBLY WITH COVER
4	R10105150	1	DOOR ASSEMBLY WITH LIGHTS AND COVER
5	R10206480	2	SPRITZER EXTENSION
6	R10206540	2	SPRITZER UNION
7	R10207281	1	FAN GUARD PANEL ASSEMBLY
8	R10207521	1	COOKING CABINET ASSEMBLY
9	R10213590	1	COVER PANEL
10	R10213760	1	CONTROL PANEL
11	R10221910	1	RIGHT SIDE PANEL
12	R10221920	1	LEFT SIDE PANEL
13	R10221930	1	REAR PANEL
14	R58003100	2	FAN GUARD FASTENING SCREW
15	R69070070	4	FOOT 1"1/4x120
16	R70043280	1	FRONT GASKET
17	R75300020	2	FAN GUARD GRID Ø 120
18	R75300060	2	FAN GUARD GRID Ø 270

POS.	CODE	PIECES	DESCRIPTION



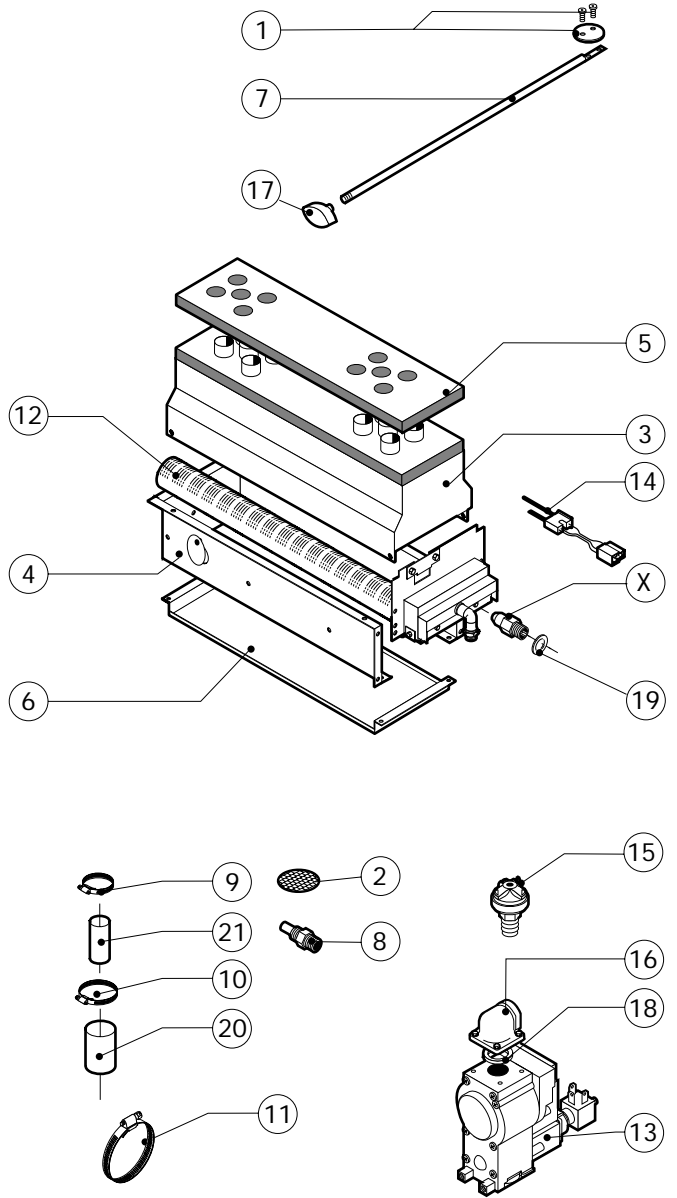
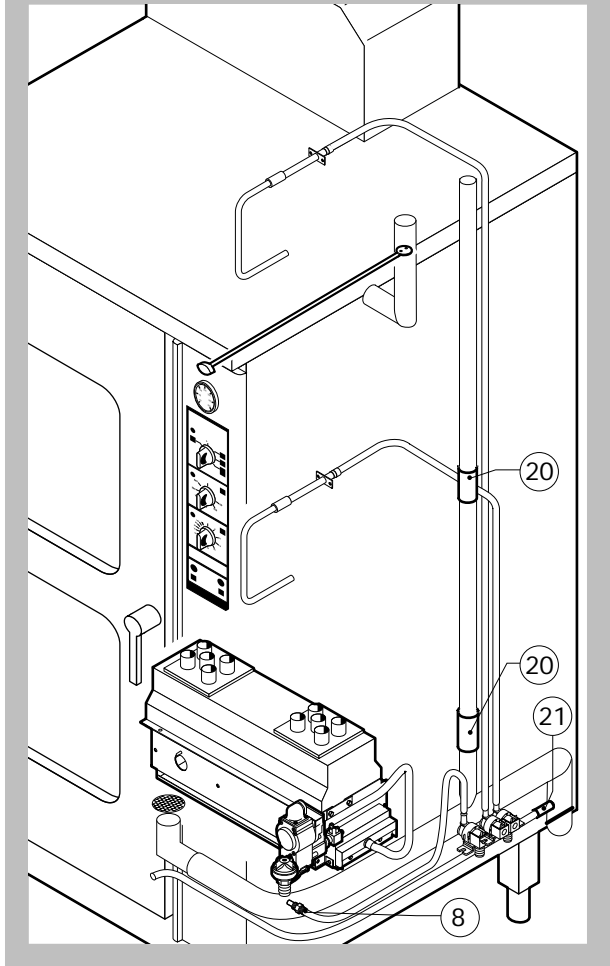
POS.	CODE	PIECES	DESCRIPTION
1	R03200970	1	DOOR LOCK REAR FLANGE
2	R10201290	1	UPPER DOOR HINGE
3	R10201330	1	LOWER DOOR HINGE WITH RETAINER
4	R10202950	1	LOWER DOOR ROD
5	R10202960	1	UPPER DOOR ROD
6	R10207680	2	DOOR ROD ADJUSTABLE PLATE
7	R10208290	1	FRONT LOWER DOOR PANEL CATCH
8	R10208300	1	FRONT UPPER DOOR PANEL CATCH
9	R10208340	1	FRONT DOOR PANEL
10	R10213700	1	DOOR
11	R10400150	2	LIGHT PROTECTION
12	R10411350	1	LOWER SQUARE FOR DOOR ROD
13	R10411360	1	UPPER SQUARE FOR DOOR ROD
14	R10456040	2	LOWER HINGE FOR FRONT DOOR PANEL
15	R10456050	1	UPPER HINGE FOR FRONT DOOR PANEL
16	R10456500	1	INNER DOOR PANEL
17	R58002150	1	HINGE PIN
18	R58002540	1	DOOR PIVOT SUNK KEY
19	R58002550	1	DOOR RETAINER GUIDE SHOE

POS.	CODE	PIECES	DESCRIPTION
20	R58002560	1	SCREW FOR LOWER DOOR HINGE
21	R58002570	1	WASHER Ø 30/15x3
22	R58003180	1	DOOR HANDLE PIN
23	R58003450	1	DOOR HANDLE
24	R58004050	1	NUT FOR UPPER DOOR HINGE
25	R58004781	1	DOOR HANDLE HOOK
26	R61040272	1	DOOR HANDLE HOOK SCREW
27	R61090052	1	GRUB SCREW M6x16
28	R61100262	1	GRUB SCREW M8x20
29	R61420021	1	ELASTIC WASHER
30	R61620091	16	BELLEVILLE WASHER Ø 14/6.4
31	R65270020	2	LIGHT 20W 12V G4
32	R65270400	2	LIGHT SOCKET
33	R69015050	1	DOOR HANDLE ASSEMBLY
34	R70040200	4	GLASS GASKET
35	R70040800	2	LIGHT PROTECTION GASKET
36	R70042040	1	DOOR GASKET
37	R71030120	2	DOOR GLASS



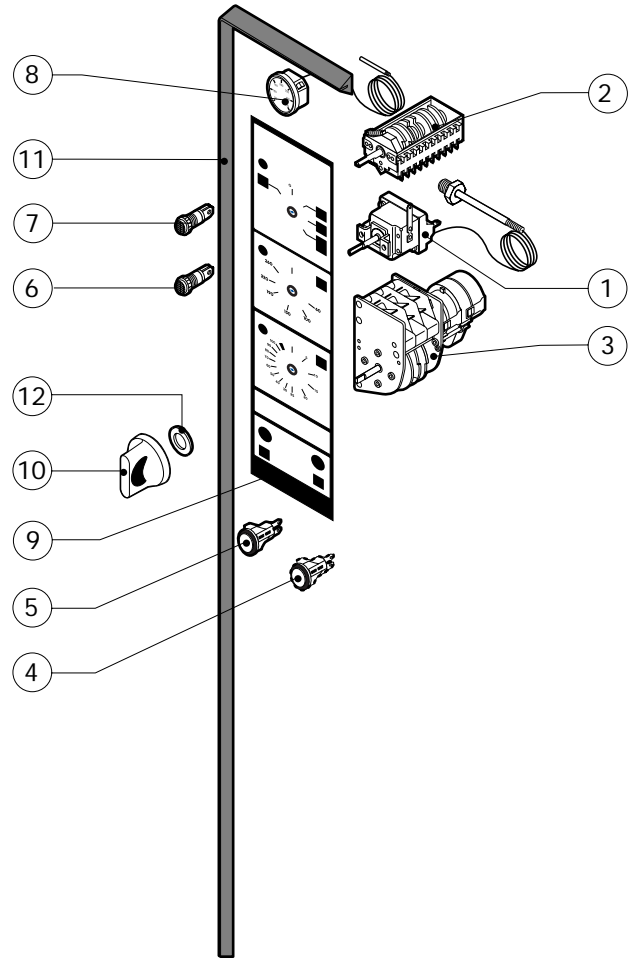
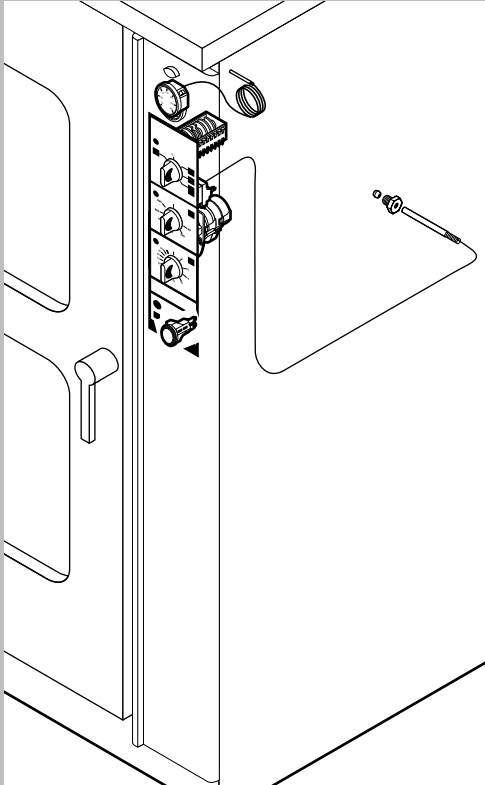
POS.	CODE	PIECES	DESCRIPTION
1	R58003840	2	MOTOR GASKET BRASS FLANGE
2	R58003850	2	MOTOR GASKET BRASS COUNTER FLANGE
3	R58004000	2	FAN SCREW M12x1.5 SX
4	R58004010	2	FAN WASHER Ø 30/12.5
5	R61020562	2	FAN SCREW TE A2 M6x55
6	R63060080	1	BURNER IGNITION PANEL WR50A72-214
7	R65040041	1	MOTOR HP 1 KIT
8	R65060050	1	COMPONENTS VENTILATION MOTOR Ø 120
9	R65070070	1	CHAMBER SAFETY THERMOSTAT
10	R65070165	1	THERMOSTAT 65°C
11	R65070240	1	THERMOSTAT 70°C
12	R65090190	1	REVERSING SWITCH 8'
13	R65090450	2	S.GENERATOR DRAIN
14	R65110010	1	SOLENOID VALVE 220V 50HZ
15	R65115060	1	SOLENOID VALVE 220V 50HZ WITH 2 FLOW REDUCER
16	R65140150	2	CONTACTOR 3TF4011-OAUO 240V
17	R65160050	2	THERMIC SWITCH SUPPORT 3UX1418
18	R65160130	2	THERMIC PROTECTION 3UA5000-1F 3.2-5A
19	R65170050	1	RELAY 4052 240V AC 10A

POS.	CODE	PIECES	DESCRIPTION
20	R65180430	1	TRANSFORMER 40VA
21	R65190030	2	CAPACITOR 16 µF
22	R65190200	1	INTERFERENCE SUPPRESSOR
23	R65200200	1	FUSE 2A
24	R65200350	1	FUSE 0.4A (T)
25	R65210020	2	FUSE CARRIER
26	R65220090	1	TERMINAL BOARD
27	R65265100	1	DOOR SWITCH
28	R65280130	3	INTERFERENCE SUPPRESSOR
29	R65280200	1	INTERFERENCE SUPPRESSOR
30	R65330010	1	BUZZER
31	R70020050	2	MOTOR GASKET
32	R75400290	2	FAN Ø 300x120/20 50HZ P.D. KIT



POS.	CODE	PIECES	DESCRIPTION
1	R04403460	1	CHAMBER VENT PLATE Ø 46
2	R10201710	1	DRAIN FILTER
3	R10202410	1	COMBUSTION CABINET
4	R10202530	1	CABINET BURNERS SUPPORT
5	R10406250	1	COMBUSTION CABINET INSULATION PLATE
6	R10411650	1	CHAMBER BURNERS PROTECTION PLATE
7	R58003510	1	CHAMBER VENT ROD
8	R58006080	1	STEAM QUENCHING NOZZLE Ø 2
9	R61630011	10	METAL CLAMPS 12-22/9
10	R61630021	2	METAL CLAMPS 30-45/9
11	R61630071	4	METAL CLAMPS 110-130/9
12	R63016110	1	CHAMBER BURNER ASSEMBLY
13	R63020010	1	GAS SOLENOID VALVE VR4605
14	R63050040	1	IGNITOR/SENSOR WR 768G213
15	R63070010	1	GAS SAFETY PRESSURE SWITCH PG 901.61
16	R63080020	2	CURVED FLANGE 1/2"
17	R69010410	1	STEAM OUTLET KNOB
18	R70010070	2	RING
19	R70030090	2	NOZZLE GASKET

POS.	CODE	PIECES	DESCRIPTION
20	R70060010	2	SILICON COUPLING Ø 30
21	R70060080	1	SILICON COUPLING Ø 13
X		2	NOZZLE (See service manual)



POS.	CODE	PIECES	DESCRIPTION
1	R65070210	1	CABINET THERMOSTAT 50/270°C
2	R65080020	1	MAIN SELECTOR SWITCH
3	R65090200	1	TIMER
4	R65260120	1	SWITCH
5	R65260520	1	HUMIDIFIER PUSH BUTTON
6	R65270220	2	ORANGE INDICATING LIGHT
7	R65270230	1	GREEN INDICATING LIGHT
8	R65340050	1	THERMOMETER
9	R67012300	1	LAINOX PLATE
10	R69030150	3	KNOB KIT
11	R70040850	1	CONTROL PANEL GASKET
12	R70050020	6	KNOB GASKET

POS.	CODE	PIECES	DESCRIPTION