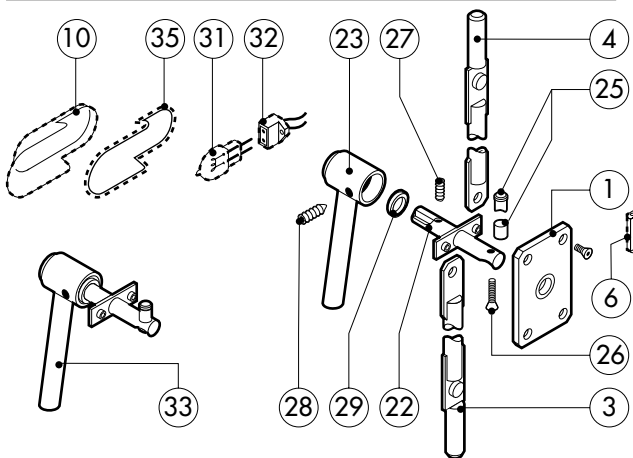
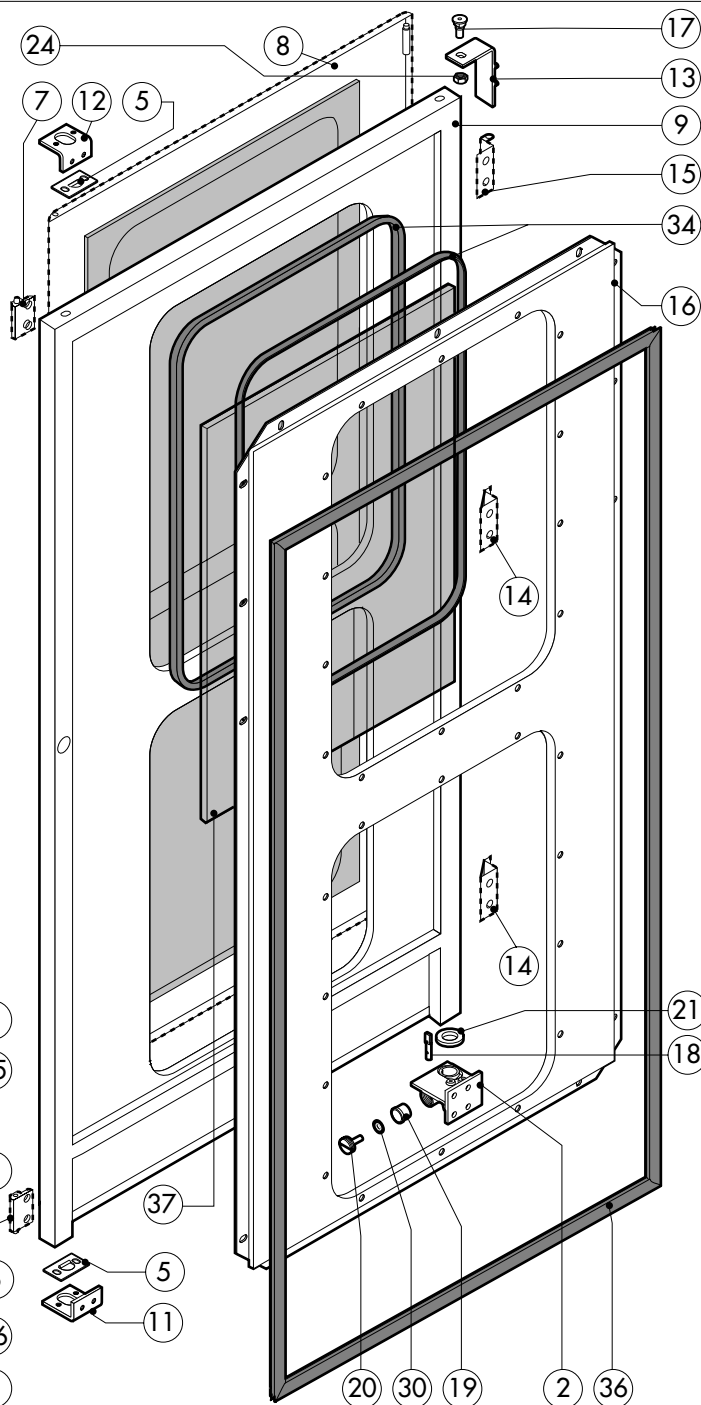
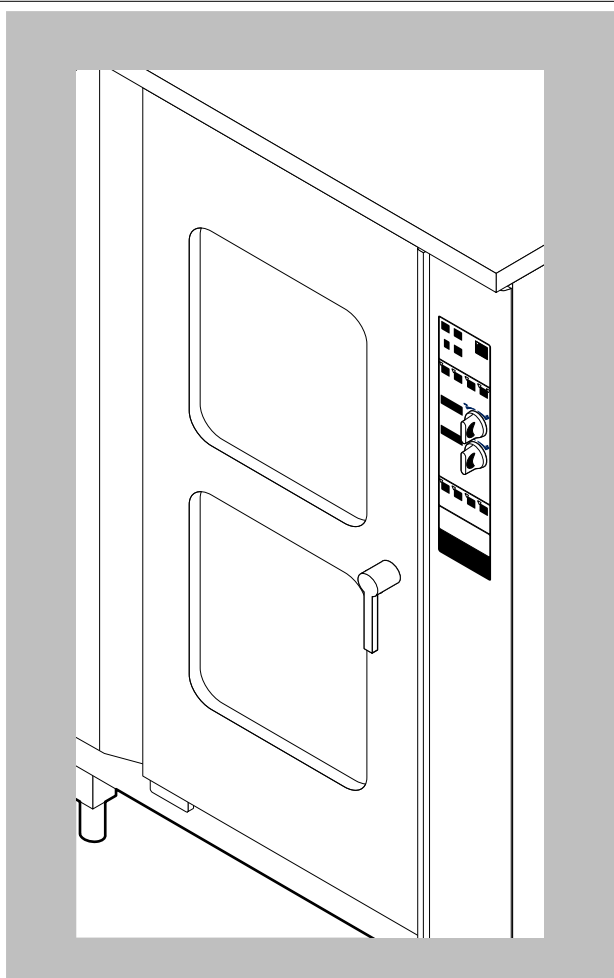


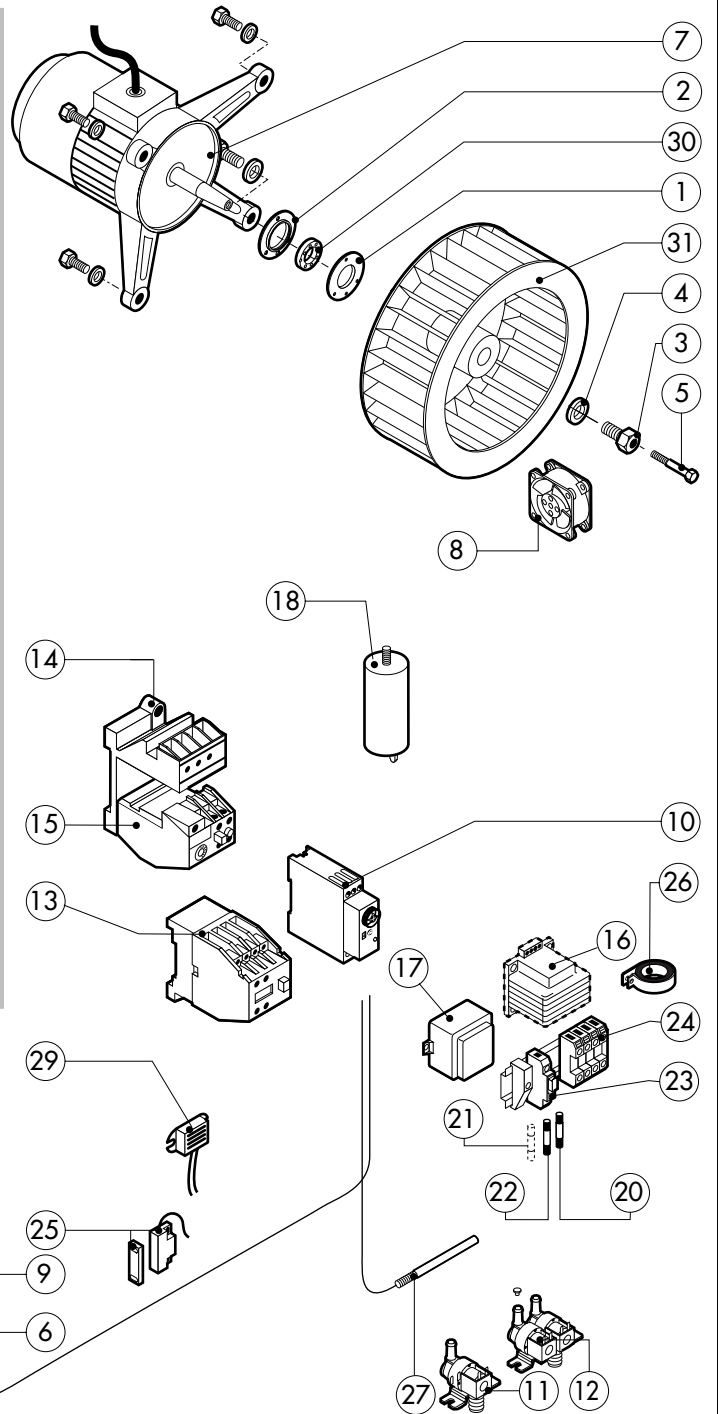
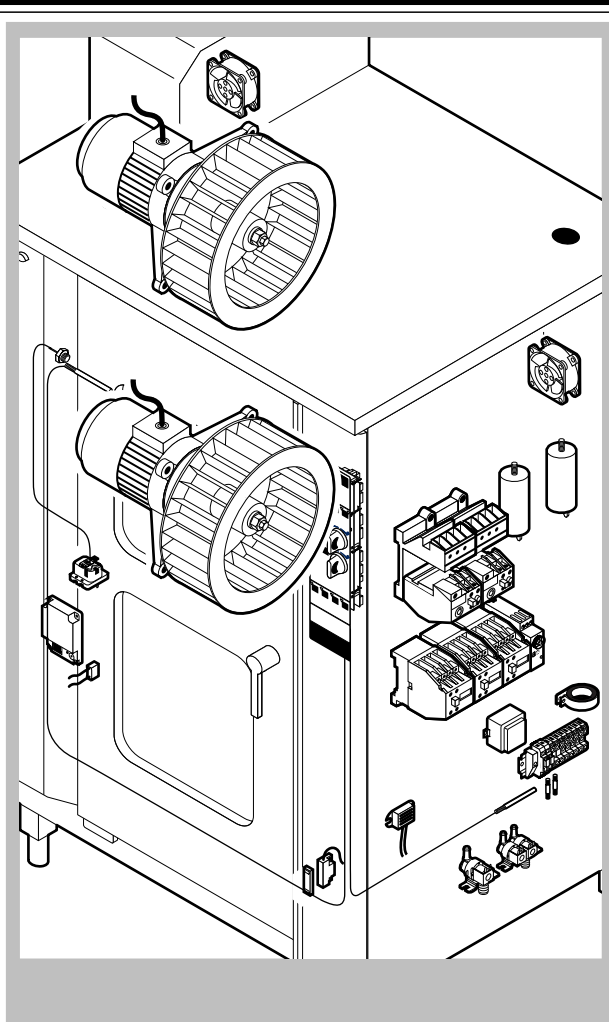
POS.	CODE	PIECES	DESCRIPTION
1	R10105340	1	DOOR ASSEMBLY WITH COVER
2	R10104310	1	DOOR ASSEMBLY WITH LIGHTS AND COVER
3	R10105320	1	DOOR ASSEMBLY
4	R10105330	1	DOOR ASSEMBLY WITH LIGHTS
5	R10205690	1	CONTROL PANEL
6	R10206480	2	SPRITZER EXTENSION
7	R10206540	2	SPRITZER UNION
8	R10222540	1	UPPER FAN GUARD PANEL ASSEMBLY
9	R10222540	1	LOWER FAN GUARD PANEL ASSEMBLY
10	R10207541	1	COOKING CABINET ASSEMBLY
11	R10207710	1	FRONT LEFT PANEL
12	R10222040	1	COVER PANEL
13	R10222500	1	RIGHT SIDE PANEL
14	R10222510	1	LEFT SIDE PANEL
15	R10222520	1	REAR PANEL
16	R58003100	4	FAN GUARD FASTENING SCREW
17	R69070020	4	FOOT 1"1/2x133
18	R70043300	1	FRONT GASKET
19	R75300020	2	FAN GUARD GRID Ø 120
20	R75300090	2	FAN GUARD GRID Ø 350
21	R70041150	1	GASKET FOR TROLLEY

POS.	CODE	PIECES	DESCRIPTION
20	R75300090	2	FAN GUARD GRID Ø 350
21	R70041150	1	GASKET FOR TROLLEY



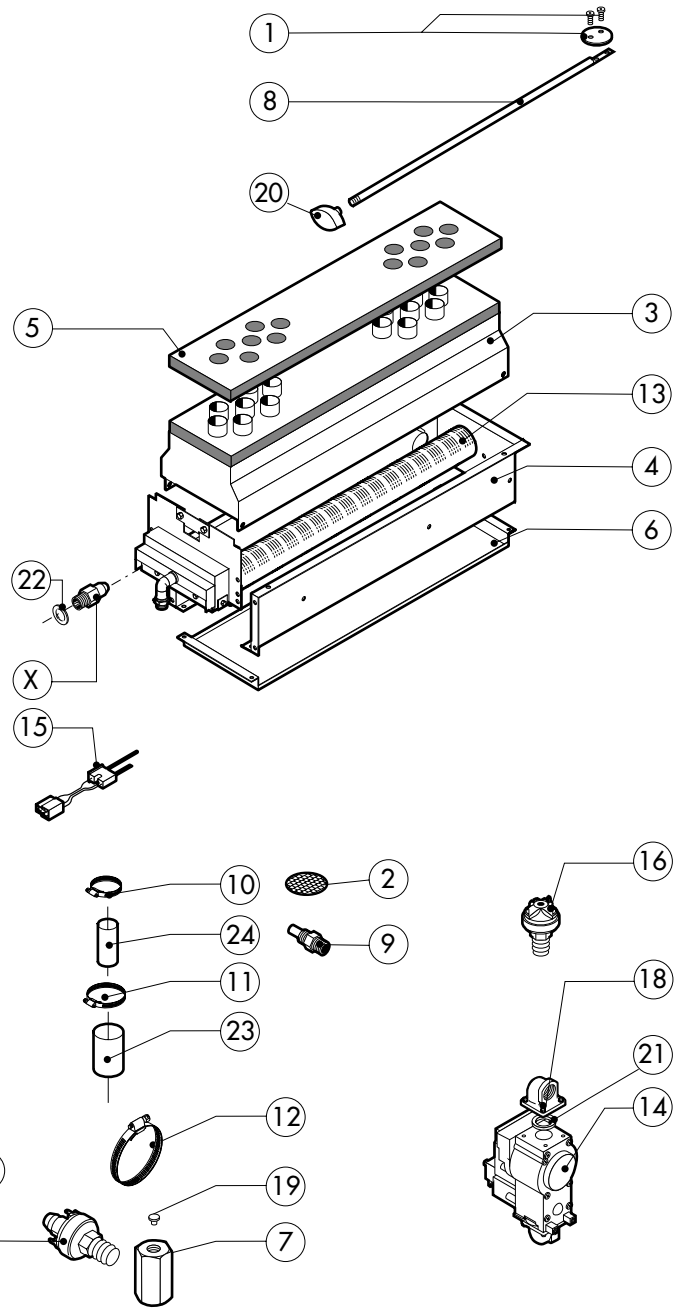
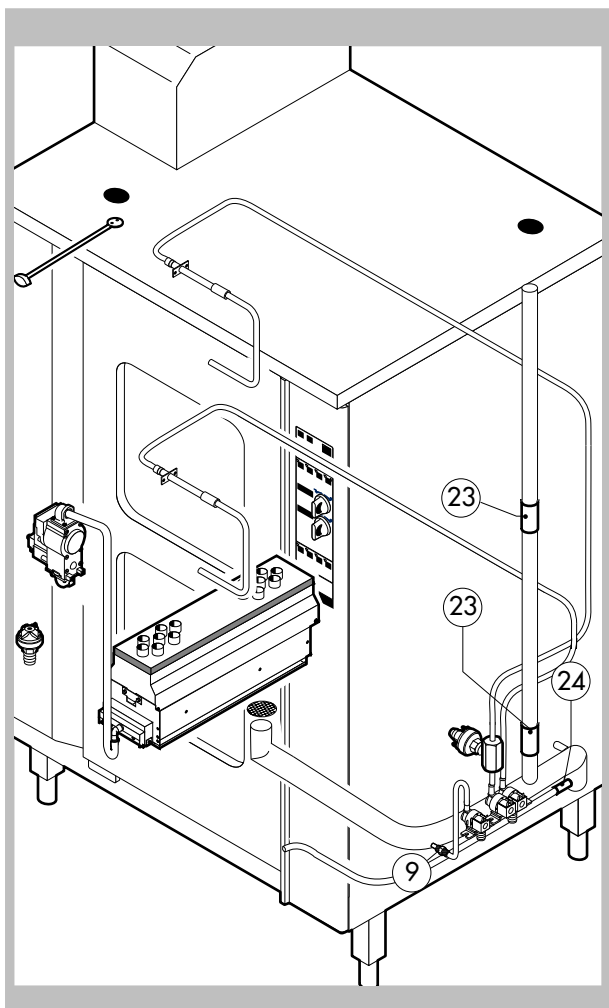
POS.	CODE	PIECES	DESCRIPTION
1	R03200970	1	DOOR LOCK REAR FLANGE
2	R10201330	1	LOWER DOOR HINGE WITH RETAINER
3	R10202950	1	LOWER DOOR ROD
4	R10202960	1	UPPER DOOR ROD
5	R10207680	2	DOOR ROD ADJUSTABLE PLATE
6	R10208290	1	FRONT LOWER DOOR PANEL CATCH
7	R10208300	1	FRONT UPPER DOOR PANEL CATCH
8	R10208350	1	FRONT DOOR PANEL
9	R10213720	1	DOOR
10	R10400150	2	LIGHT PROTECTION
11	R10411350	1	LOWER SQUARE FOR DOOR ROD
12	R10411360	1	UPPER SQUARE FOR DOOR ROD
13	R10413290	1	UPPER DOOR HINGE
14	R10456040	2	LOWER HINGE FOR FRONT DOOR PANEL
15	R10456050	1	UPPER HINGE FOR FRONT DOOR PANEL
16	R10458910	1	INNER DOOR PANEL
17	R58002150	1	HINGE PIN
18	R58002540	1	DOOR PIVOT SUNK KEY
19	R58002550	1	DOOR RETAINER GUIDE SHOE

POS.	CODE	PIECES	DESCRIPTION
20	R58002560	1	SCREW FOR LOWER DOOR HINGE
21	R58002570	1	WASHER Ø 30/15x3
22	R58003180	1	DOOR HANDLE PIN
23	R58003450	1	DOOR HANDLE
24	R58004050	1	NUT FOR UPPER DOOR HINGE
25	R58004781	1	DOOR HANDLE HOOK
26	R61040272	1	DOOR HANDLE HOOK SCREW
27	R61090052	1	GRUB SCREW M6x16
28	R61100262	1	GRUB SCREW M8x20
29	R61420021	1	ELASTIC WASHER
30	R61620091	16	BELLEVILLE WASHER Ø 14/6.4
31	R65270020	2	LIGHT 20W 12V G4
32	R65270400	2	LIGHT SOCKET
33	R69015050	1	DOOR HANDLE ASSEMBLY
34	R70040200	4	GLASS GASKET
35	R70040800	2	LIGHT PROTECTION GASKET
36	R70042160	1	DOOR GASKET
37	R71030120	2	DOOR GLASS



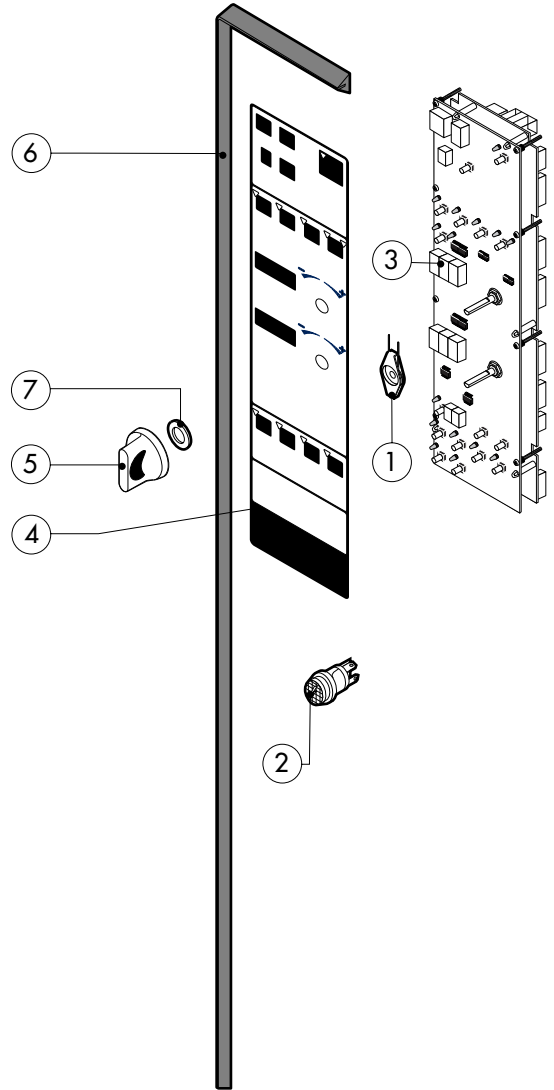
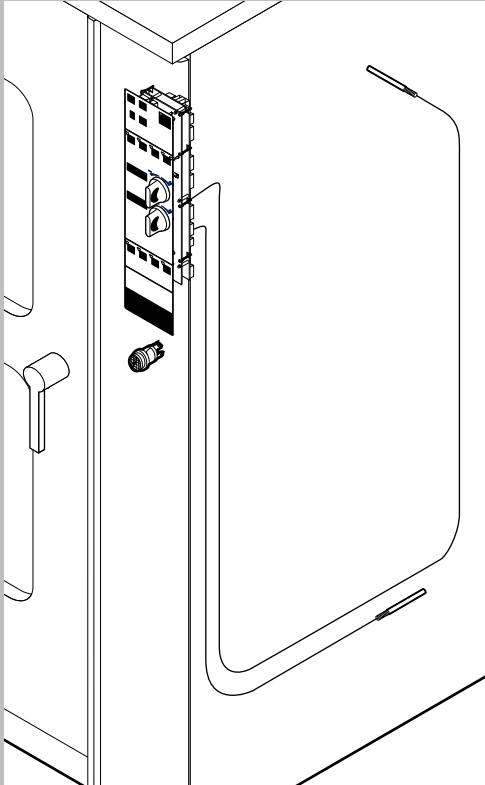
POS.	CODE	PIECES	DESCRIPTION
1	R58003840	2	MOTOR GASKET BRASS FLANGE
2	R58003850	2	MOTOR GASKET BRASS COUNTER FLANGE
3	R58004000	2	FAN SCREW M12x1.5 SX
4	R58004010	2	FAN WASHER Ø 30/12.5
5	R61020562	2	FAN SCREW TE A2 M6x55
6	R63060080	1	BURNER IGNITION PANEL WR50A72-214
7	R65040041	1	MOTOR HP 1 KIT
8	R65060050	1	COMPONENTS VENTILATION MOTOR Ø 120
9	R65070070	1	CHAMBER SAFETY THERMOSTAT
10	R65090450	2	S.GENERATOR DRAIN
11	R65110010	1	SOLENOID VALVE 220V 50HZ
12	R65115000	1	SOLENOID VALVE 220V 50HZ WITH FLOW REDUCER
13	R65140150	3	CONTACTOR 3TF4011-OAUO 240V
14	R65160050	2	THERMIC SWITCH SUPPORT 3UX1418
15	R65160130	2	THERMIC PROTECTION 3UA5000-1F 3.2-5A
16	R65180430	1	TRANSFORMER 40VA
17	R65180650	1	TRANSFORMER 23VA
18	R65190030	2	CAPACITOR 16 µF
19	R65190200	1	INTERFERENCE SUPPRESSOR

POS.	CODE	PIECES	DESCRIPTION
20	R65200200	1	FUSE 2A
21	R65200320	1	FUSE 0.2A (T)
22	R65200350	1	FUSE 0.4A (T)
23	R65210020	3	FUSE CARRIER
24	R65220090	1	TERMINAL BOARD
25	R65265100	1	DOOR SWITCH
26	R65280450	1	FERRITE
27	R65325000	1	PROBE PT100
28	R65325020	1	PROBE PT100 5m
29	R65330020	1	BUZZER
30	R70020050	2	MOTOR GASKET
31	R75400380	2	FAN Ø 350x120/24 50HZ P.D. KIT



POS.	CODE	PIECES	DESCRIPTION
1	R04403460	1	CHAMBER VENT PLATE Ø 46
2	R10201720	1	DRAIN FILTER
3	R10202440	1	COMBUSTION CABINET
4	R10202540	1	CABINET BURNERS SUPPORT
5	R10406250	1	COMBUSTION CABINET INSULATION PLATE
6	R10414110	1	CHAMBER BURNERS PROTECTION PLATE
7	R58003390	1	PRESSURE SWITCH BRASS PIPE FITTING
8	R58003520	1	CHAMBER VENT ROD
9	R58006080	1	STEAM QUENCHING NOZZLE Ø 2
10	R61630011	10	METAL CLAMPS 12-22/9
11	R61630021	2	METAL CLAMPS 30-45/9
12	R61630071	4	METAL CLAMPS 110-130/9
13	R63016120	1	CHAMBER BURNER ASSEMBLY
14	R63020010	1	GAS SOLENOID VALVE VR4605
15	R63050040	1	IGNITOR/SENSOR WR 768G213
16	R63070010	1	GAS SAFETY PRESSURE SWITCH PG 901.61
17	R63070050	1	WATER SAFETY PRESSURE SWITCH 1/8" 0.5-0.35 BAR
18	R63080020	2	CURVED FLANGE 1/2"
19	R65110410	1	FLOW REDUCER

POS.	CODE	PIECES	DESCRIPTION
20	R69010410	1	STEAM OUTLET KNOB
21	R70010070	2	RING
22	R70030090	2	NOZZLE GASKET
23	R70060010	2	SILICON COUPLING Ø 30
24	R70060080	1	SILICON COUPLING Ø 13
X		2	NOZZLE (See service manual)



POS.	CODE	PIECES	DESCRIPTION
1	R10205120	2	KNOB SPRING
2	R65260480	1	UNIPOLAR PUSH BUTTON
3	R65300800	1	CONTROL PANEL P.C. BOARD
4	R67012320	1	LAINOX PLATE
5	R69030150	2	KNOB KIT
6	R70040850	1	CONTROL PANEL GASKET
7	R70050020	4	KNOB GASKET

POS.	CODE	PIECES	DESCRIPTION