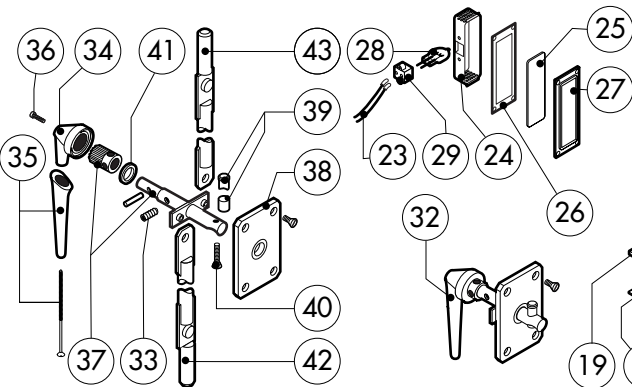
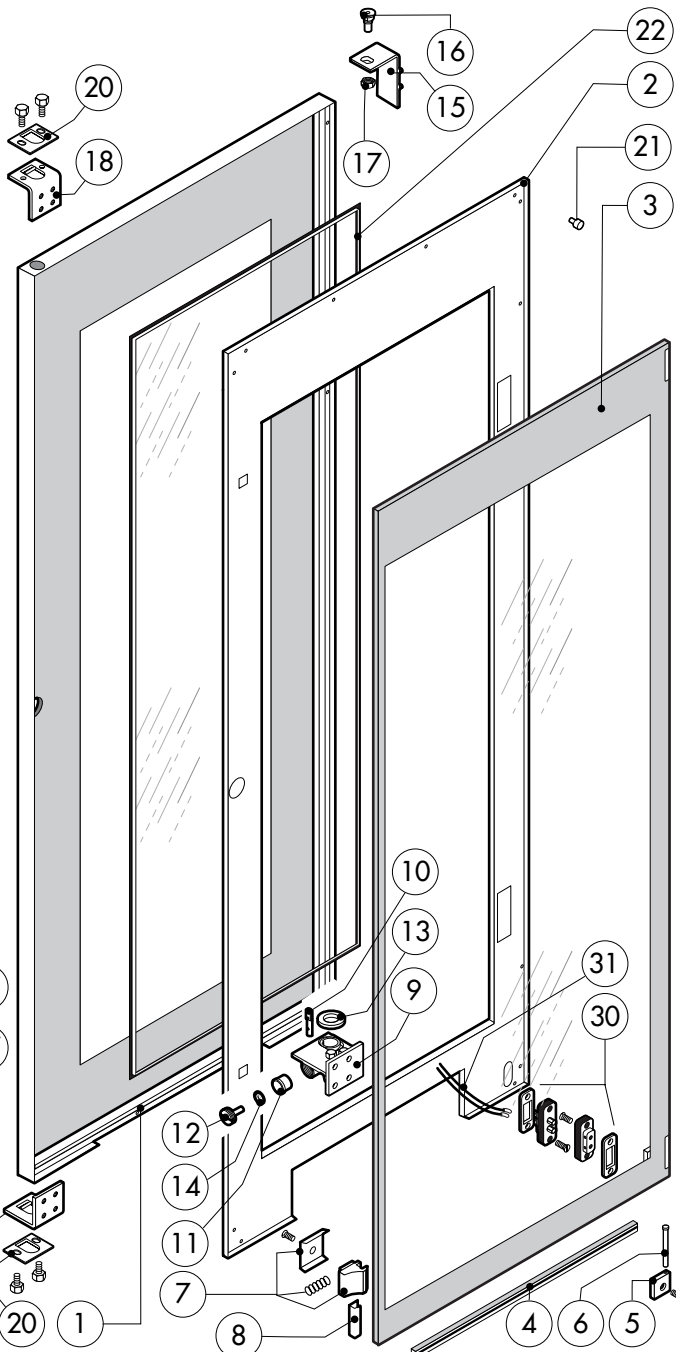
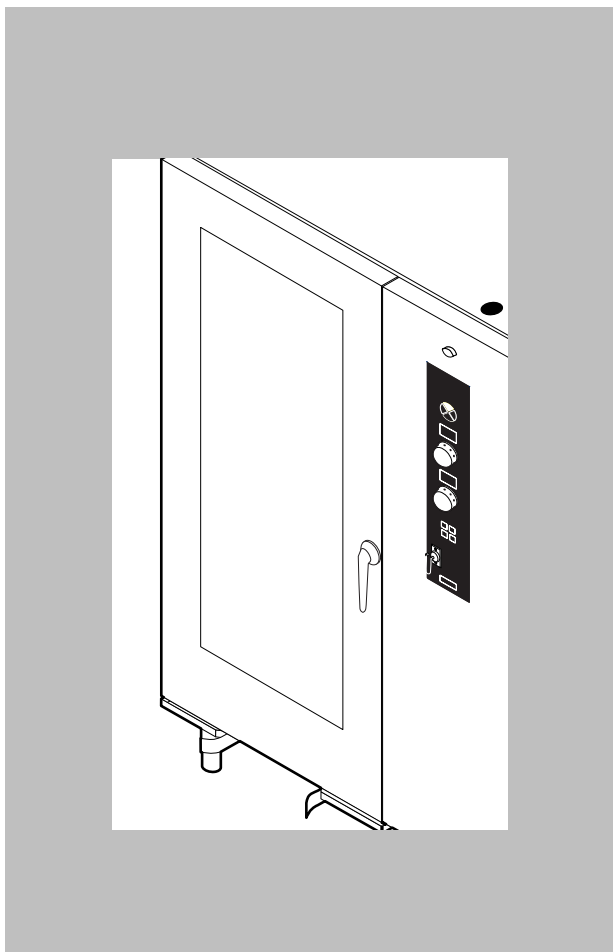


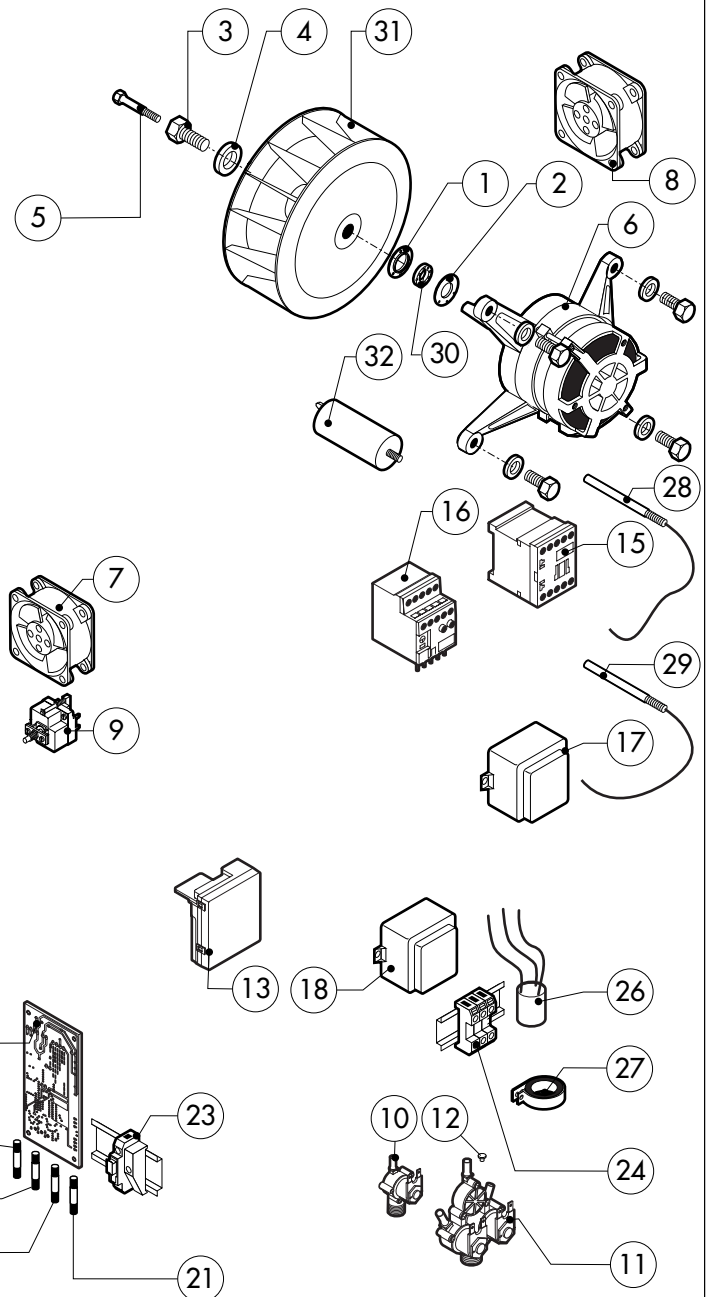
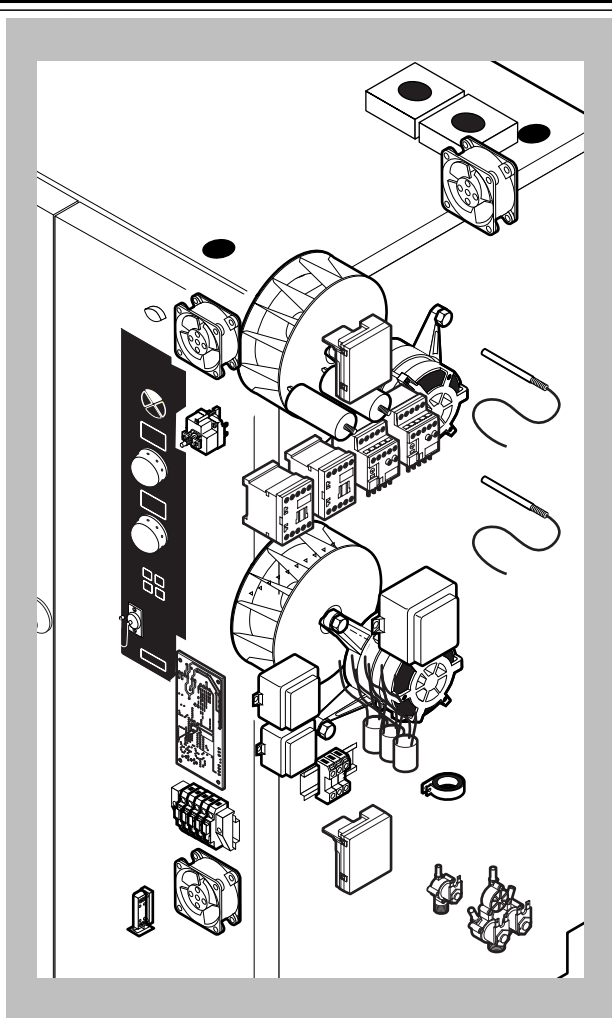
POS.	CODE	PIECES	DESCRIPTION
1	R11100121	1	DOOR ASSEMBLY
2	R11208490	1	CONTROL PANEL
3	R11201980	2	SPRITZER EXTENSION
4	R11200380	2	SPRITZER UNION
5	R11208310	1	COOKING CABINET ASSEMBLY
6	R11203150	1	TOP FAN GUARD PANEL ASSEMBLY
7	R11206100	1	LOWER FAN GUARD PANEL ASSEMBLY
8	R11206141	1	RIGHT SIDE PANEL
9	R11206131	1	LEFT SIDE PANEL
10	R11413950	1	REAR PANEL
11	R11206470	1	BACK COOLING BOX
12	R11208460	1	COVER PANEL
13	R11207440	2	DRAINAGE PIPE PROTECTION
14	R58003100	4	FAN GUARD FASTENING SCREW
15	R70044140	1	FRONT GASKET
16	R75300090	2	FAN GUARD GRID Ø 350
17	R69070020	4	FOOT 1"1/2x130
18	R69090090	2	WHEEL
19	R69090100	2	WHEEL WITH BRAKE

POS.	CODE	PIECES	DESCRIPTION
20	R10457840	1	HANDLE FOR TROLLEY
21	R11206490	1	TRAY FOR TROLLEY



POS.	CODE	PIECES	DESCRIPTION
1	R11100181	1	DOOR
2	R11205361	1	INNER DOOR PANEL
3	R11100150	1	INNER DOOR GLASS
4	R70044300	1	GASKET FOR TROLLEY(0,7MT)
5	R58001760	2	INNER GLASS SOLID HINGE
6	R58001770	2	INNER GLASS HINGE PIN
7	R58001780	2	INNER GLASS CATCH KIT
8	R11411860	2	"C" PROFILE
9	R11205390	1	LOWER DOOR HINGE WITH RETAINER
10	R58002540	1	DOOR PIVOT SUNK KEY
11	R58002550	1	DOOR RETAINER GUIDE SHOE
12	R58002560	1	SCREW FOR LOWER DOOR HINGE
13	R58002570	1	WASHER Ø 30/15x3
14	R61620091	16	BELLEVILLE WASHER Ø 14/6.4
15	R11200560	1	UPPER DOOR HINGE
16	R58002150	1	HINGE PIN
17	R58004050	1	NUT FOR UPPER DOOR HINGE
18	R11411520	1	UPPER SQUARE FOR DOOR ROD
19	R11205400	1	LOWER SQUARE FOR DOOR ROD
20	R10207680	2	DOOR ROD ADJUSTABLE PLATE
21	R70050100	9	GLASS SILICON SPACERS
22	R70044160	1	GLASS GASKET (3,72MT)

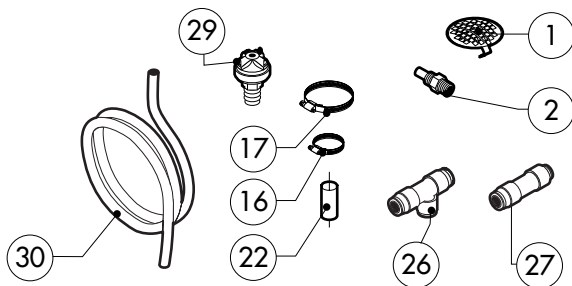
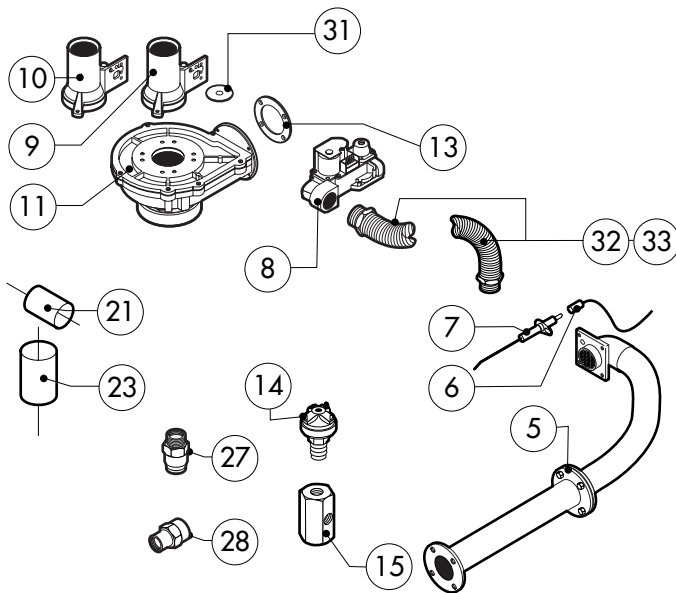
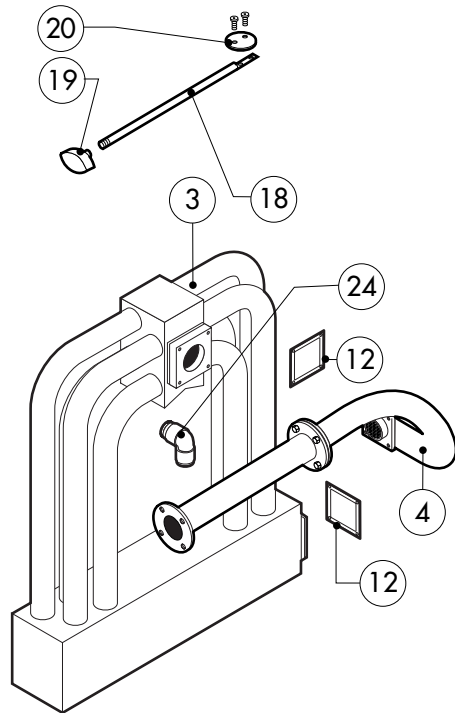
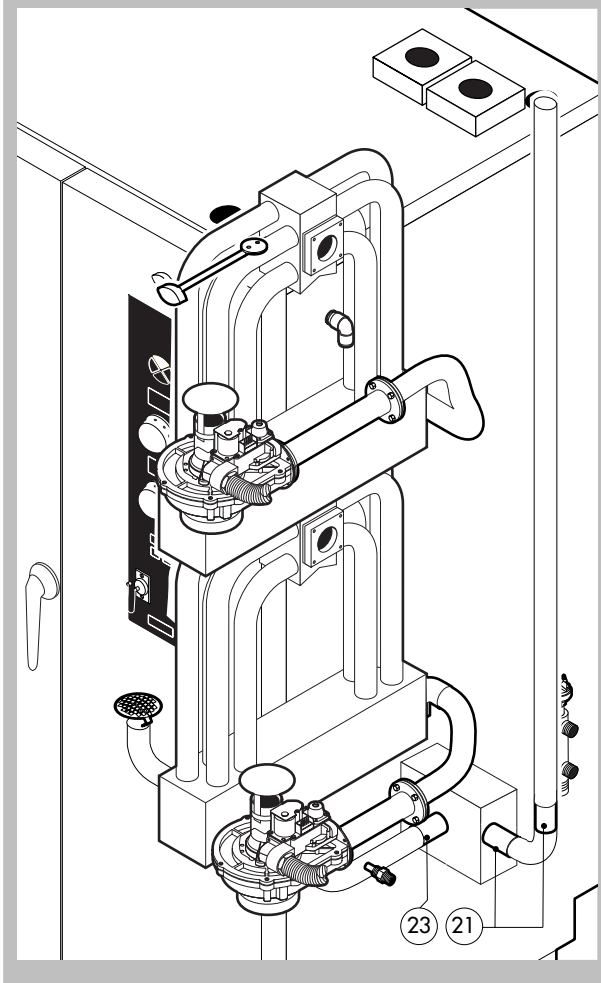
POS.	CODE	PIECES	DESCRIPTION
23	R66110330	1	DOOR LAMPS CABLE SET
24	R11401440	2	LAMP COVER
25	R71500150	2	GLASS LAMP
26	R70044200	2	GLASS LAMP
27	R11401450	2	GLASS HOLDER LAMP FLANGE
28	R65270020	2	LIGHT 20W 12V G4
29	R65270450	2	LIGHT SOCKET
30	R65260750	1	LAMPS CONTACT BLOCK
31	R66110300	1	LAMPS CONTACT CABLE SET
32	R11100310	1	DOOR HANDLE ASSEMBLY
33	R61090052	1	GRUB SCREW M6x16
34	R69010600	1	DOOR HANDLE
35	R69010610	1	HANDLE
36	R61030601	1	CYLINDRICAL HEAD SCREW
37	R11205340	1	DOOR HANDLE PIN
38	R03200970	1	DOOR LOCK REAR FLANGE
39	R58004781	1	DOOR HANDLE HOOK
40	R61040272	1	DOOR HANDLE HOOK SCREW
41	R61420021	1	ELASTIC WASHER
42	R11205381	2	LOWER DOOR ROD
43	R11205370	1	UPPER DOOR ROD



POS.	CODE	PIECES	DESCRIPTION
1	R58003840	2	MOTOR GASKET BRASS FLANGE
2	R58003850	2	MOTOR GASKET BRASS COUNTER FLANGE
3	R58004000	2	FAN SCREW M12x1.5 SX
4	R58004010	2	FAN WASHER Ø 30/12.5
5	R61020562	2	FAN SCREW TE A2 M6x55
6	*R65040550	2	MOTOR KW 055 F1 4P 200-240V KIT
7	R65060050	2	COMPONENTS VENTILATION MOTOR Ø 120
8	R65060060	1	COMPONENTS VENTILATION MOTOR Ø 150
9	R65070350	1	CHAMBER SAFETY THERMOSTAT
10	R65110200	1	SOLENOID VALVE 220V 50HZ
11	R65110240	1	SOLENOID VALVE 220V 50HZ WITH FLOW REDUCER
12	R65110500	2	10 LT/H WATER FLOW REDUCER
13	R63060120	2	BURNER IGNITION PANEL
14	R63130020	2	GAS BURNER FAN MOTOR PCBOARD
15	*R65140380	2	CONTACTOR 3RT1016-1AP02 240V
16	*R65160590	2	THERMIC PROTECTION 3RU1116-1EBO 2,8-4,0A
17	R65180770	2	TRANSFORMER 50VA
18	R65180430	1	TRANSFORMER 40VA
19	R65200200	1	FUSE 2A
20	R65200120	2	FUSE 1A
21	R65200040	2	FUSE 0.500A (T)

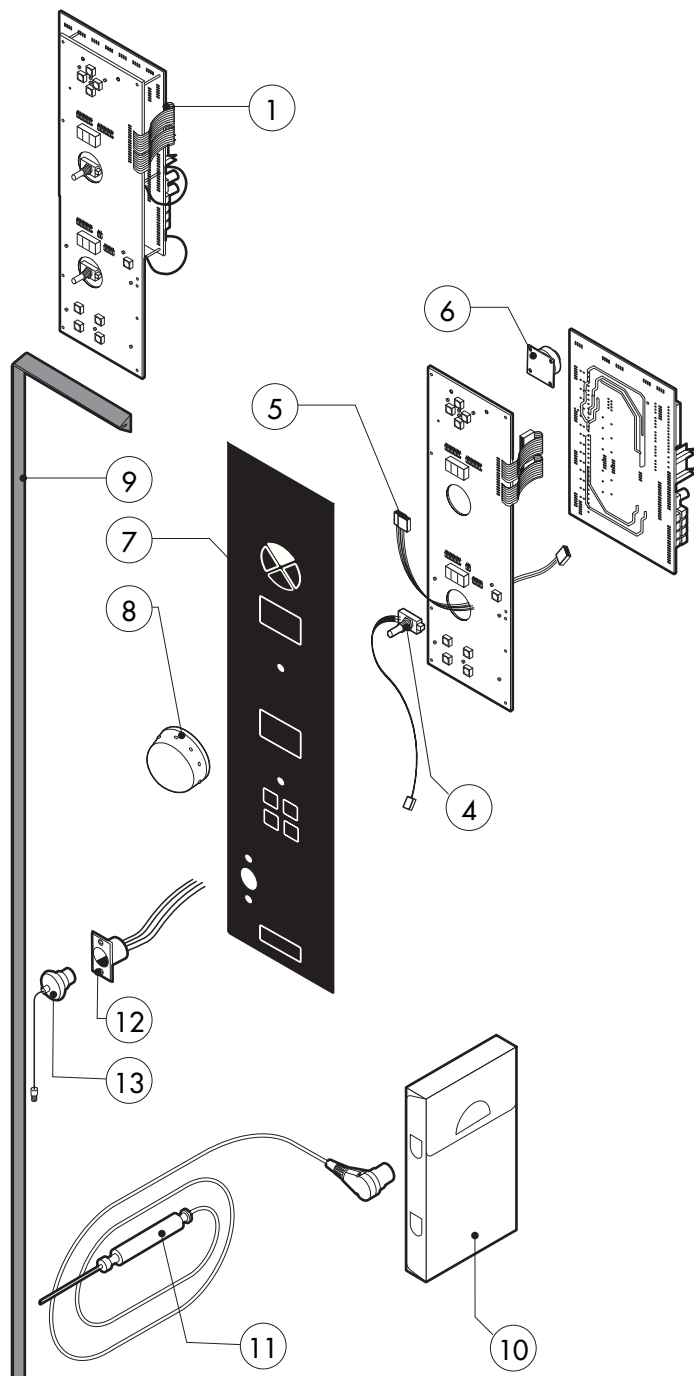
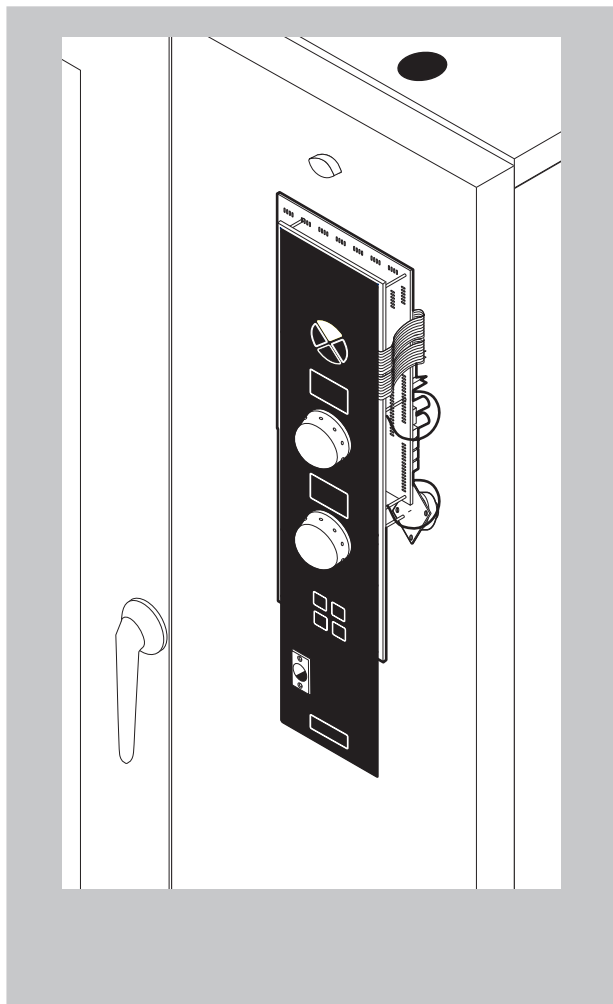
POS.	CODE	PIECES	DESCRIPTION
22	R65200040	1	FUSE 0.25A (T)
23	R65210020	6	FUSE CARRIER
24	R65220220	1	TERMINAL BOARD
25	R65265100	1	DOOR SWITCH
26	*R65280210	1	INTERFERENCE SUPPRESSOR
27	*R65280450	1	FERRITE
28	R65325000	1	PROBE PT100 (1,5 MT LONG)
29	R65325010	1	PROBE PT100 (3 MT LONG)
30	R70020050	2	MOTOR GASKET
31	R75400440	2	FAN Ø 350x114/12 50HZ P.D. KIT
32	*R65190050	2	CAPACITOR 20 µF

*COMPONENT SUBMITTED TO CHANGEMENTS CAUSED BY TENSION DIFFERENT FROM THE STANDARD [3N AC400V 50HZ]



POS.	CODE	PIECES	DESCRIPTION
1	R10201710	1	DRAIN FILTER
2	R58006140	1	STEAM QUENCHING NOZZLE Ø 1,5
3	R11208160	2	HEAT EXCHANGER ACCESSORIES INCLUDED
4	R11206700	1	TOP BURNER ASSEMBLY
5	R11206720	1	LOWER BURNER ASSEMBLY
6	R66110390	2	FLAME IGNITION CABLE/FLAME SENSOR CABLE
7	R63050100	4	IGNITOR
8	R63020170	2	GAS SOLENOID VALVE
9	R63120010	2	VENTURI TUBE (GPL)
10	R63120040	2	VENTURI TUBE (METHANE)
11	R63130010	2	GAS BURNER FAN MOTOR
12	R63140020	8	BURNER/HEAT EXCHANGER GASKET
13	R63140050	4	BURNER/FAN MOTOR GASKET
14	R63070010	1	GAS SAFETY PRESSURE SWITCH PG 901.61
15	R58003390	1	PRESSURE SWITCH BRASS PIPE FITTING
16	R61630011	2	METAL CLAMPS 12-22/9
17	R61630031	6	METAL CLAMPS 40-60/9
18	R58003760	1	CHAMBER VENT ROD
19	R69010410	1	STEAM OUTLET KNOB
20	R11406870	1	CHAMBER VENT PLATE Ø 46
21	R70060040	3	SILICON COUPLING Ø 50
22	R70060080	1	SILICON COUPLING Ø 13
23	R70060050	1	SILICON COUPLING Ø 60

POS.	CODE	PIECES	DESCRIPTION
24	R62090478	5	ELBOW MIDLING PIPE FITTING D.10
25	R62090458	1	STRAIGHT MIDLING PIPE FITTING D.10
26	R62090468	1	"T" MIDLING PIPE FITTING D.10
27	R62090508	1	10X1/4 STRAIGHT THREADED TERMINAL PIPE FITTING
28	R62030118	1	1/8"-1/4" FEMALE REDUCTION COUPLING
29	R63070050	1	WATER SAFETY PRESSURE SWITCH 1/8" 0,5-0,35 BAR
30	R70070040	1	PE D.10 MM X7 WATER FLEXIBLE PIPE (4 MT LONG)
31	R58004200	2	ORIFICE (FOR VERSION LIQUID GAS)
32	R62180082	1	GAS INLET FLEXIBLE PIPE 0,5-1 MT
33	R62180112	1	GAS INLET FLEXIBLE PIPE 1-2 MT



POS.	CODE	PIECES	DESCRIPTION
1	R65301300	1	CONTROL PANEL P.C. BOARD
2	R65301320	1	FRONT PC BOARD "D" MOD
4	R65301450	2	FRONT PC BOARD ENCODER
5	R65301340	1	PC BOARD FLAT CABLE
6	R65301440	1	PC BOARD BUZZER
7	R67012890	1	LAINOX PLATE
8	R69030260	2	KNOB
9	R70044290	1	CONTROL PANEL GASKET
10	R86020420	1	CORE TEMPERATURE PROBE BOX
11	R65321120	1	CORE TEMPERATURE PROBE
12	R65320920	1	CORE TEMPERATURE PROBE FEMALE CONNECTOR
13	R65321020	1	COVER FOR FEMALE CONNECTOR

POS.	CODE	PIECES	DESCRIPTION