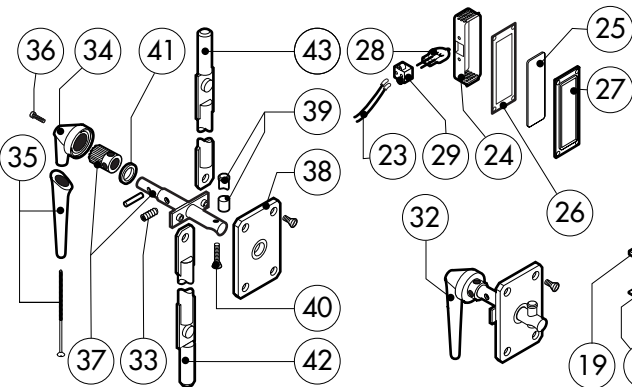
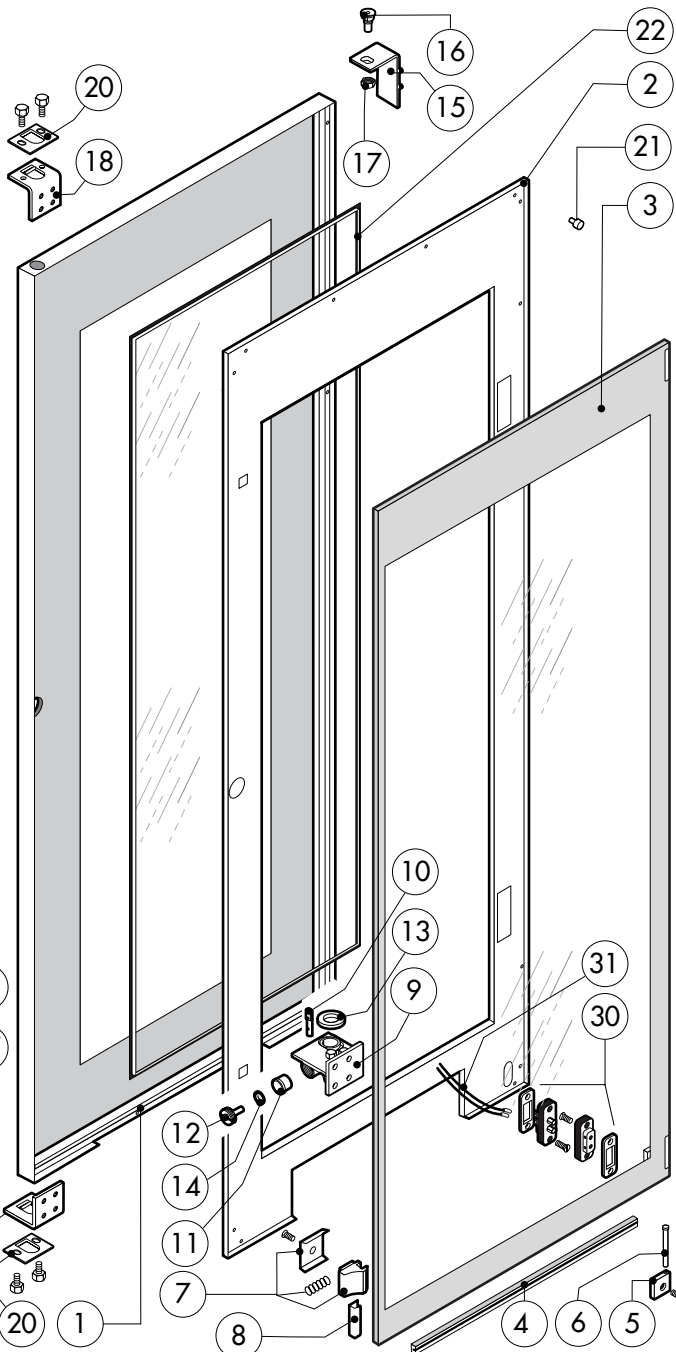
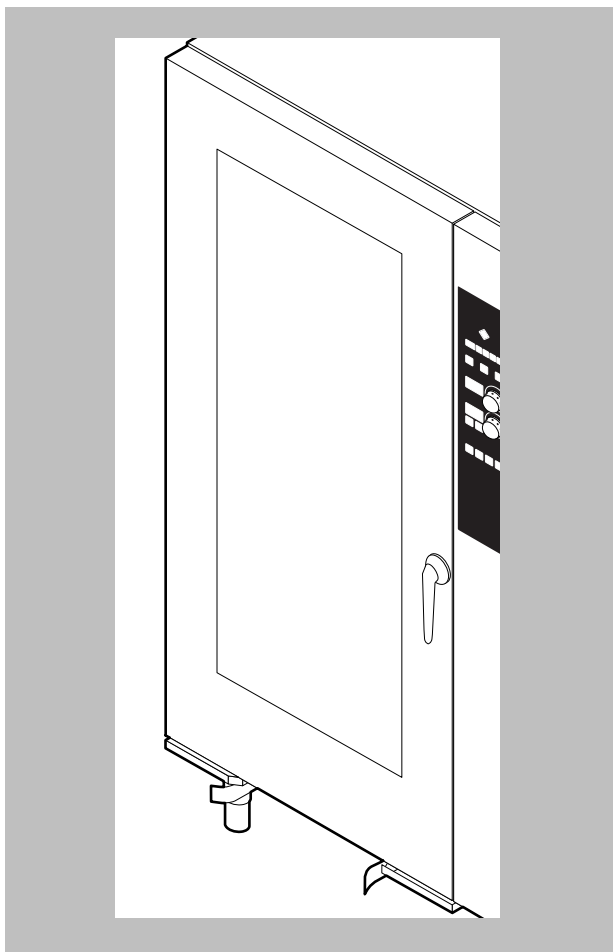


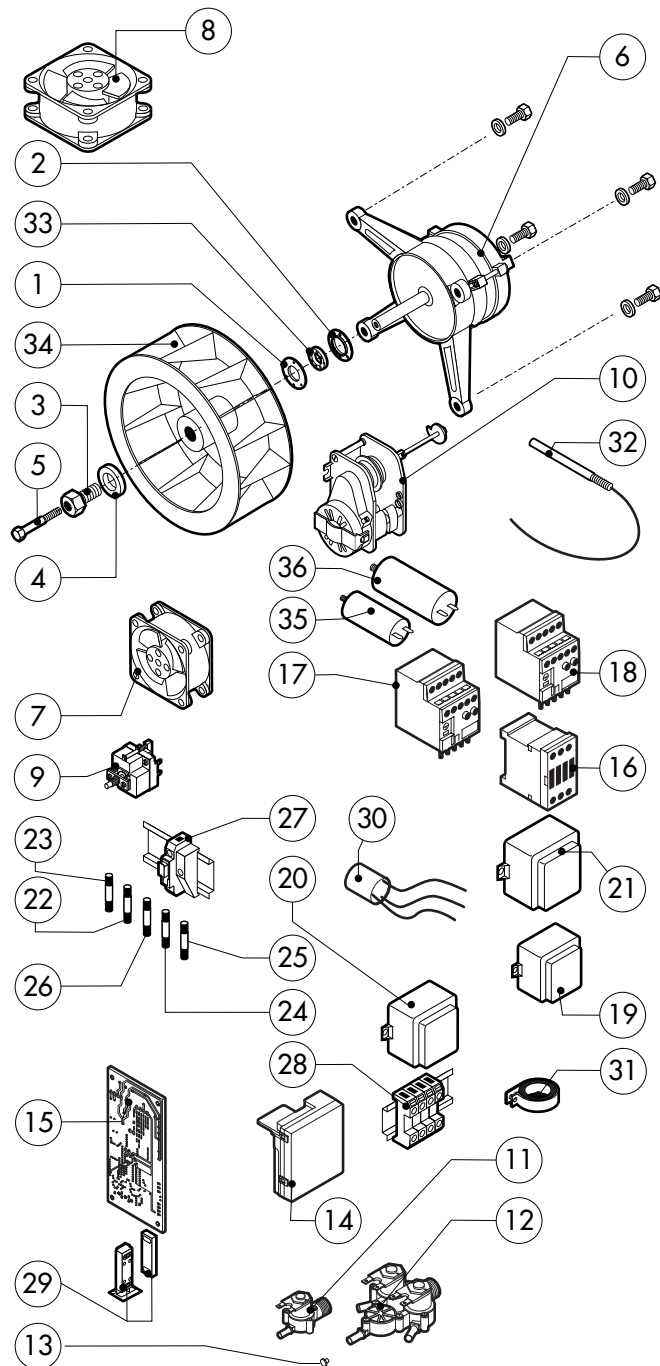
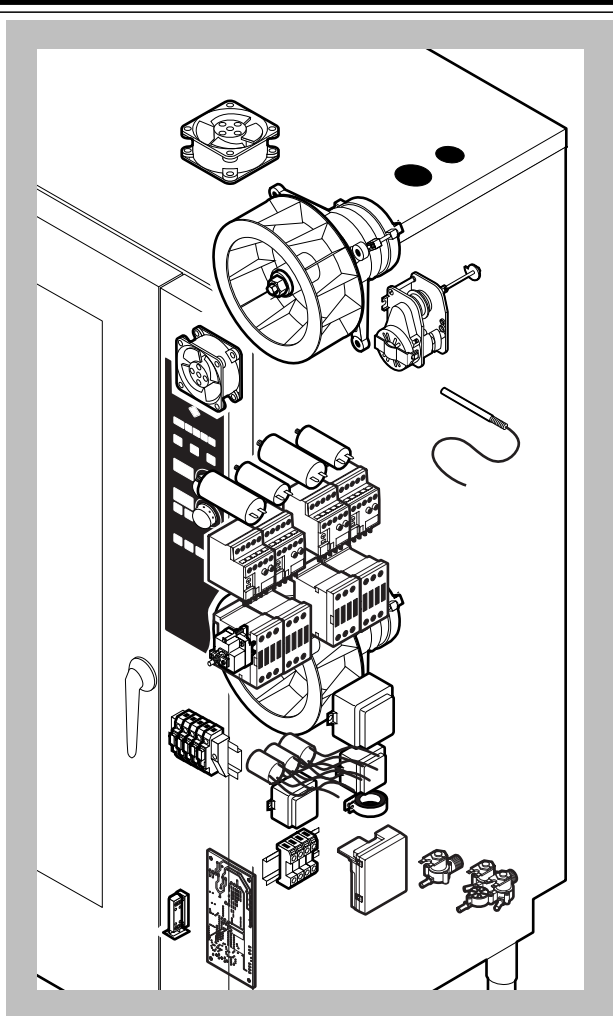
POS.	CODE	PIECES	DESCRIPTION
1	R11100121	1	DOOR ASSEMBLY
2	R11205261	1	CONTROL PANEL
3	R11201980	2	SPRITZER EXTENSION
4	R11200380	2	SPRITZER UNION
5	R11208270	1	COOKING CABINET ASSEMBLY
6	R11205280	1	FAN GUARD PANEL ASSEMBLY
7	R11205321	1	RIGHT SIDE PANEL
8	R11205311	1	LEFT SIDE PANEL
9	R11411350	1	REAR PANEL
10	R11208430	1	COVER PANEL
11	R11207440	1	DRAINAGE PIPE PROTECTION
12	R58003100	2	FAN GUARD FASTENING SCREW
13	R70044130	1	FRONT GASKET
14	R75300090	2	FAN GUARD GRID Ø 350
15	R69070020	4	FOOT 1"1/2x1.30
16	R69090090	2	WHEEL
17	R69090100	2	WHEEL WITH BRAKE
18	R10457840	1	HANDLE FOR TROLLEY
19	R11204670	1	TRAY FOR TROLLEY

POS.	CODE	PIECES	DESCRIPTION



POS.	CODE	PIECES	DESCRIPTION
1	R11100181	1	DOOR
2	R11205361	1	INNER DOOR PANEL
3	R11100150	1	INNER DOOR GLASS
4	R70044300	1	GASKET FOR TROLLEY(0,7MT)
5	R58001760	2	INNER GLASS SOLID HINGE
6	R58001770	2	INNER GLASS HINGE PIN
7	R58001780	2	INNER GLASS CATCH KIT
8	R11411860	2	"C" PROFILE
9	R11205390	1	LOWER DOOR HINGE WITH RETAINER
10	R58002540	1	DOOR PIVOT SUNK KEY
11	R58002550	1	DOOR RETAINER GUIDE SHOE
12	R58002560	1	SCREW FOR LOWER DOOR HINGE
13	R58002570	1	WASHER Ø 30/15x3
14	R61620091	16	BELLEVILLE WASHER Ø 14/6.4
15	R11200560	1	UPPER DOOR HINGE
16	R58002150	1	HINGE PIN
17	R58004050	1	NUT FOR UPPER DOOR HINGE
18	R11411520	1	UPPER SQUARE FOR DOOR ROD
19	R11205400	1	LOWER SQUARE FOR DOOR ROD
20	R10207680	2	DOOR ROD ADJUSTABLE PLATE
21	R70050100	9	GLASS SILICON SPACERS
22	R70044160	1	GLASS GASKET (3,72MT)

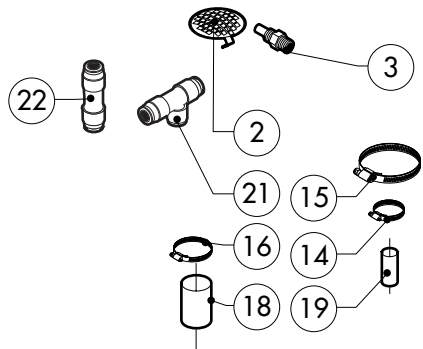
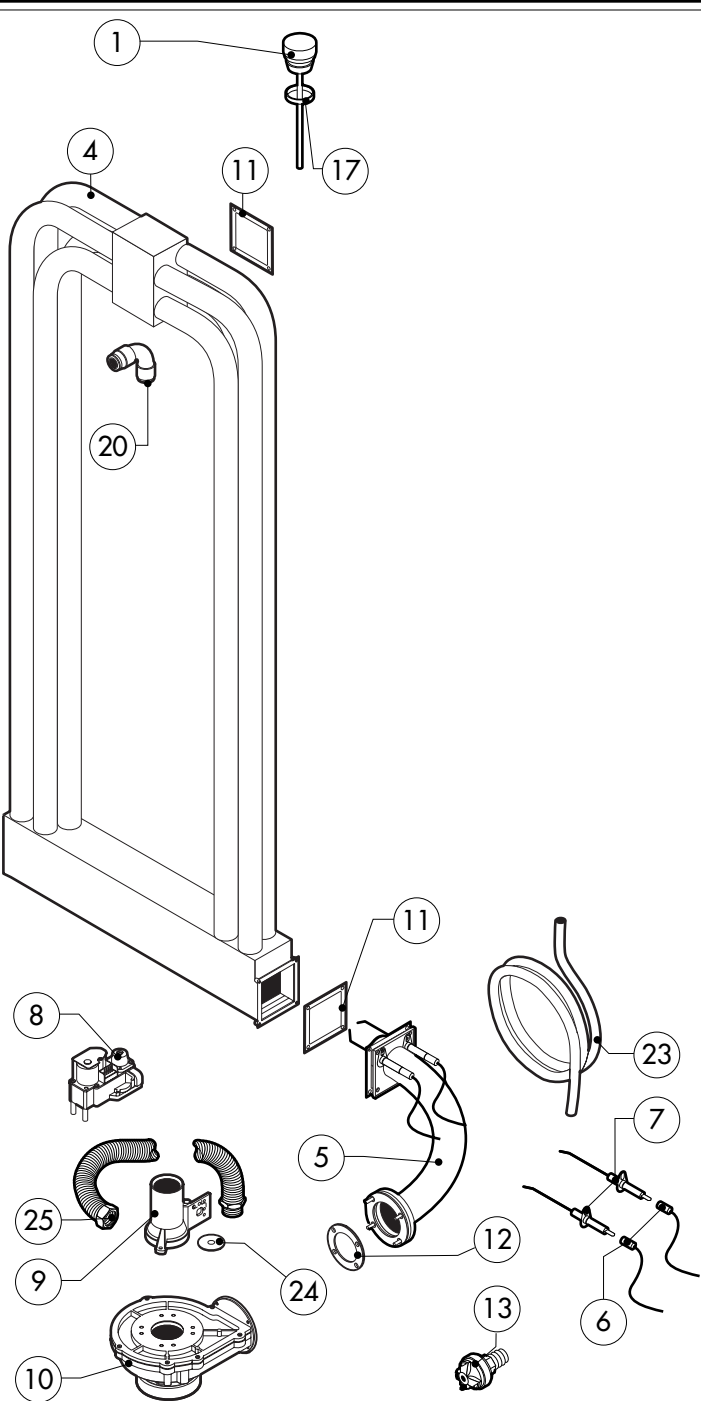
POS.	CODE	PIECES	DESCRIPTION
23	R66110330	1	DOOR LAMPS CABLE SET
24	R11401440	2	LAMP COVER
25	R71500150	2	GLASS LAMP
26	R70044200	2	GLASS LAMP
27	R11401450	2	GLASS HOLDER LAMP FLANGE
28	R65270020	2	LIGHT 20W 12V G4
29	R65270450	2	LIGHT SOCKET
30	R65260750	1	LAMPS CONTACT BLOCK
31	R66110300	1	LAMPS CONTACT CABLE SET
32	R11100310	1	DOOR HANDLE ASSEMBLY
33	R61090052	1	GRUB SCREW M6x16
34	R69010600	1	DOOR HANDLE
35	R69010610	1	HANDLE
36	R61030601	1	CYLINDRICAL HEAD SCREW
37	R11205340	1	DOOR HANDLE PIN
38	R03200970	1	DOOR LOCK REAR FLANGE
39	R58004781	1	DOOR HANDLE HOOK
40	R61040272	1	DOOR HANDLE HOOK SCREW
41	R61420021	1	ELASTIC WASHER
42	R11205381	2	LOWER DOOR ROD
43	R11205370	1	UPPER DOOR ROD



POS.	CODE	PIECES	DESCRIPTION
1	R58003840	2	MOTOR GASKET BRASS FLANGE
2	R58003850	2	MOTOR GASKET BRASS COUNTER FLANGE
3	R58004000	2	FAN SCREW M12x1.5 SX
4	R58004010	2	FAN WASHER Ø 30/12.5
5	R61020562	2	FAN SCREW TE A2 M6x55
6	*R65040540	2	MOTOR 055/015 KW KIT
7	R65060050	1	COMPONENTS VENTILATION MOTOR Ø 120
8	R65060060	1	COMPONENTS VENTILATION MOTOR Ø 150
9	R65070350	1	CHAMBER SAFETY THERMOSTAT
10	R65095000	1	DAMPER SYSTEM
11	R65110200	1	SOLENOID VALVE 220V 50HZ
12	R65110240	1	SOLENOID VALVE 220V 50HZ WITH FLOW REDUCER
13	R65110510	2	15 LT/H WATER FLOW REDUCER
14	R63060120	1	BURNER IGNITION PANEL
15	R63130020	1	GAS BURNER FAN MOTOR PCBOARD
16	*R65140380	4	CONTACTOR 3RT1016-1AP02 240V
17	*R65160620	2	THERMIC PROTECTION 3RU1116-1BB0 1,4-2,0A
18	*R65160590	2	THERMIC PROTECTION 3RU1116-1EB0 2,8-4,0A
19	R65180420	1	TRANSFORMER 20VA
20	R65180430	1	TRANSFORMER 40VA

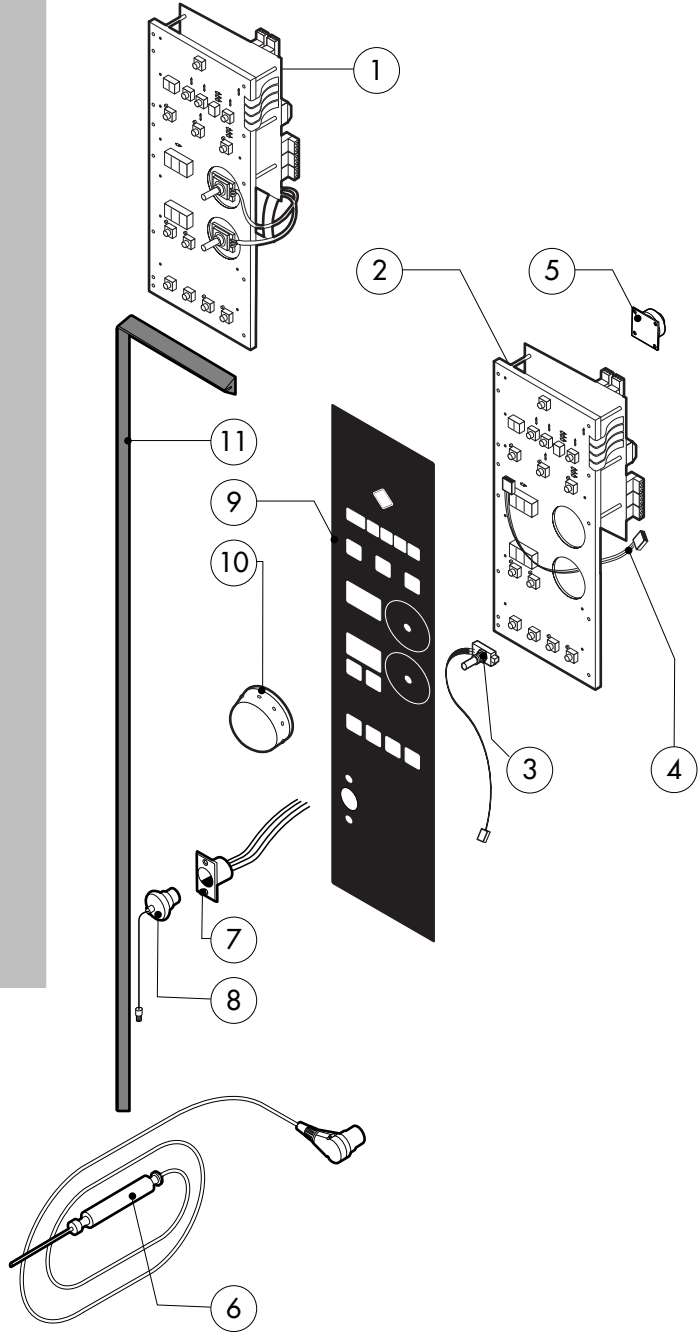
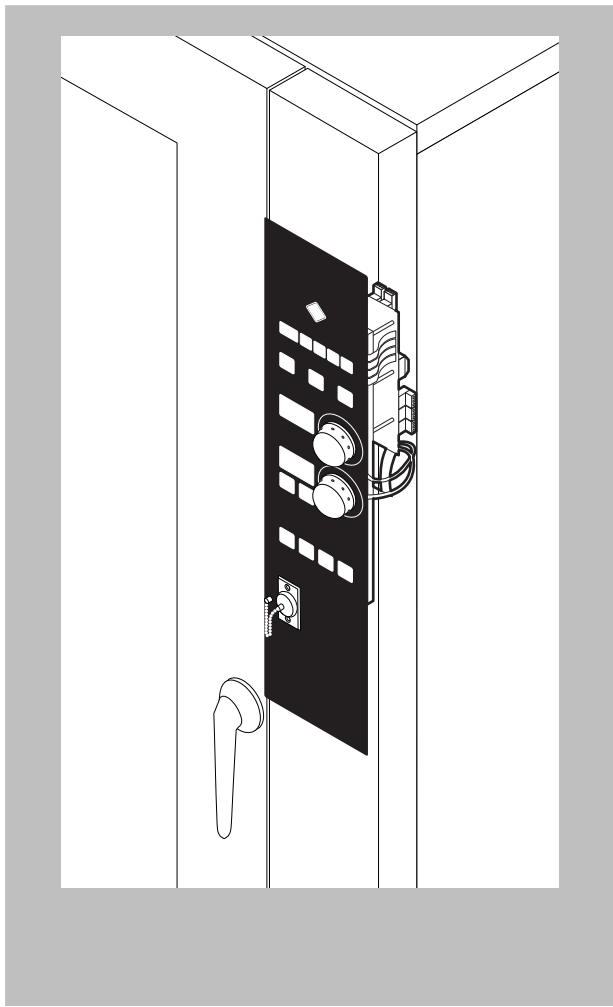
POS.	CODE	PIECES	DESCRIPTION
21	R65180770	1	TRANSFORMER 50VA
22	R65200086	1	FUSE 0.125A (T)
23	R65200200	1	FUSE 2A
24	R65200150	1	FUSE 1A
25	R65200040	1	FUSE 0.500A (T)
26	R65200040	1	FUSE 0.25A (T)
27	R65210020	5	FUSE CARRIER
28	R65220220	1	TERMINAL BOARD
29	R65265100	1	DOOR SWITCH
30	*R65280210	3	INTERFERENCE SUPPRESSOR
31	*R65280450	1	FERRITE
32	R65325000	2	PROBE PT100
33	R70020050	2	MOTOR GASKET
34	*R75400440	2	FAN Ø 350x114/12 50HZ P.D. KIT
35	*R65190180	2	CAPACITOR 10 µF
36	*R65190050	2	CAPACITOR 20 µF

*COMPONENT SUBMITTED TO CHANGEMENTS CAUSED BY TENSION DIFFERENT FROM THE STANDARD (3N AC400V 50HZ)



POS.	CODE	PIECES	DESCRIPTION
1	R11100270	1	DAMPER SYSTEM CAP
2	R10201710	1	DRAIN FILTER
3	R58006130	1	STEAM QUENCHING NOZZLE Ø 1
4	R11208280	1	HEAT EXCHANGER ACCESSORIES INCLUDED
5	R11205790	1	BURNER ASSEMBLY
6	R66110370	1	FLAME IGNITION CABLE/FLAME SENSOR CABLE
7	R63050100	2	IGNITOR
8	R63020170	1	GAS SOLENOID VALVE
9	R63120030	1	VENTURI TUBE
10	R63130010	1	GAS BURNER FAN MOTOR
11	R63140020	4	BURNER/HEAT EXCHANGER GASKET
12	R63140050	1	BURNER/FAN MOTOR GASKET
13	R63070010	1	GAS SAFETY PRESSURE SWITCH PG 901.61
14	R61630011	2	METAL CLAMPS 12-22/9
15	R61630091	2	METAL CLAMPS 140-160/9
16	R61630031	4	METAL CLAMPS 40-60/9
17	R70060100	1	DAMPER SYSTEM CAP GASKET
18	R70060040	3	SILICON COUPLING Ø 50
19	R70060080	1	SILICON COUPLING Ø 13

POS.	CODE	PIECES	DESCRIPTION
20	R62090478	5	ELBOW MIDLING PIPE FITTING D.10
21	R62090468	1	**T* MIDLING PIPE FITTING D.10
22	R62090458	1	STRAIGHT MIDLING PIPE FITTING D.10
23	R70070040	1	PE D.10 MM X7 WATER FLEXIBLE PIPE (4 MT LONG)
24	R58004200	1	ORIFICE (FOR VERSION LIQUID GAS)
25	R62180082	1	GAS INLET FLEXIBLE PIPE



POS.	CODE	PIECES	DESCRIPTION
1	R65301400	1	CONTROL PANEL P.C. BOARD
2	R65301370	1	FRONT+RELAY PC BOARD "H-P" MOD
3	R65301450	2	FRONT PC BOARD ENCODER
4	R65301470	1	PC BOARD FLAT CABLE
5	R65301440	1	PC BOARD BUZZER
6	R65321120	1	CORE TEMPERATURE PROBE
7	R65320920	1	CORE TEMPERATURE PROBE FEMALE CONNECTOR
8	R65321020	1	COVER FOR FEMALE CONNECTOR
9	R67013080	1	PLATE
10	R69030260	2	KNOB
11	R70044280	1	CONTROL PANEL GASKET

POS.	CODE	PIECES	DESCRIPTION