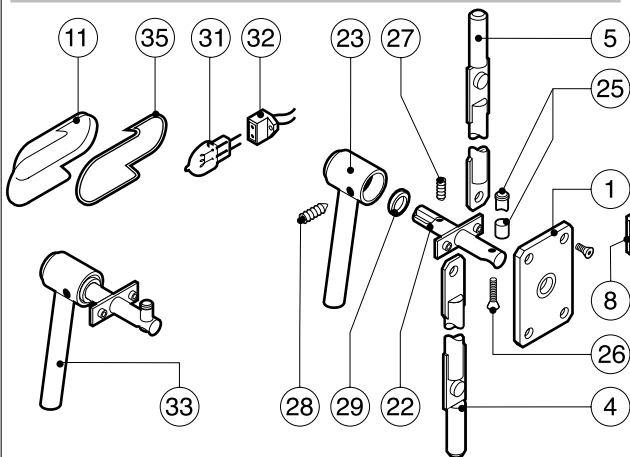
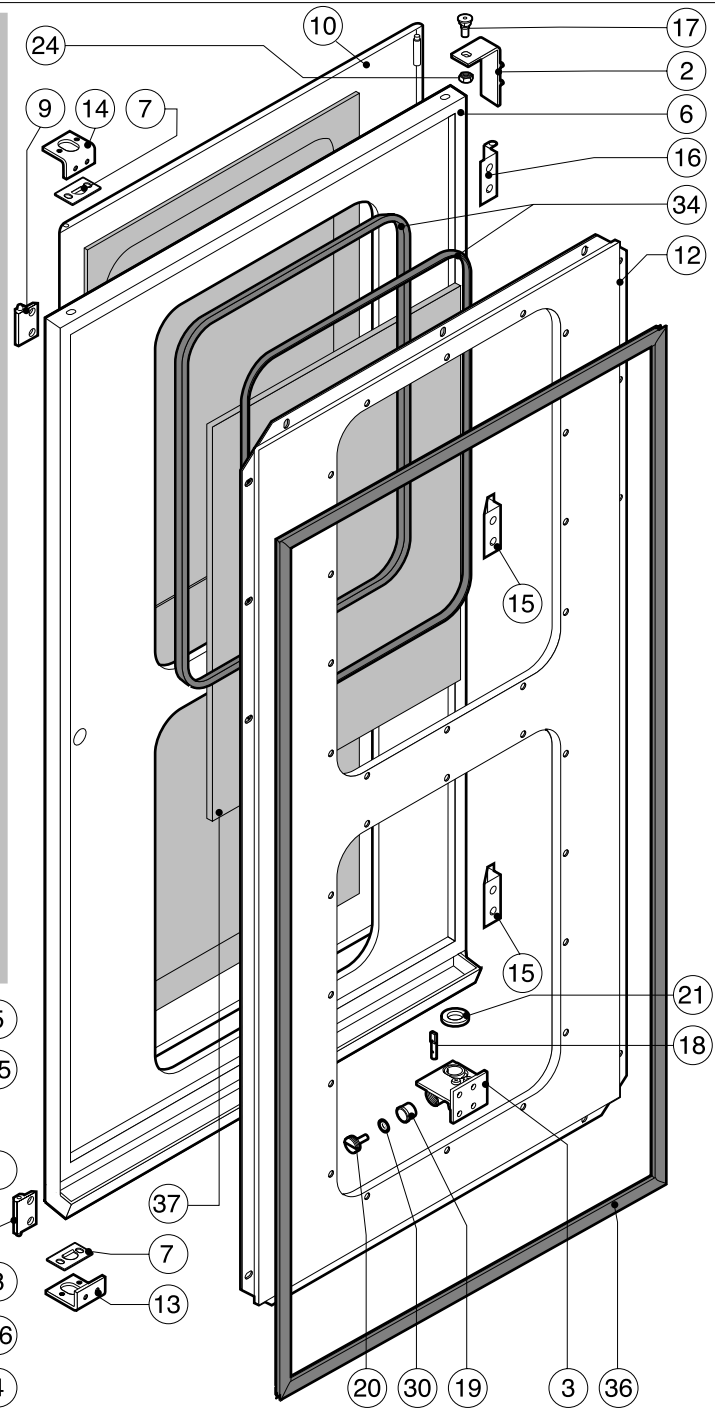
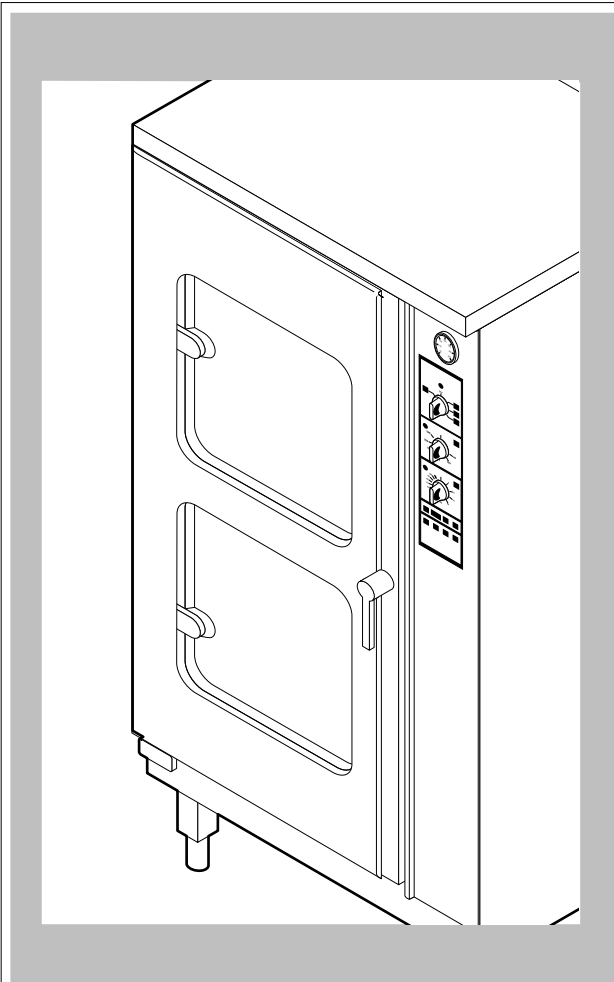


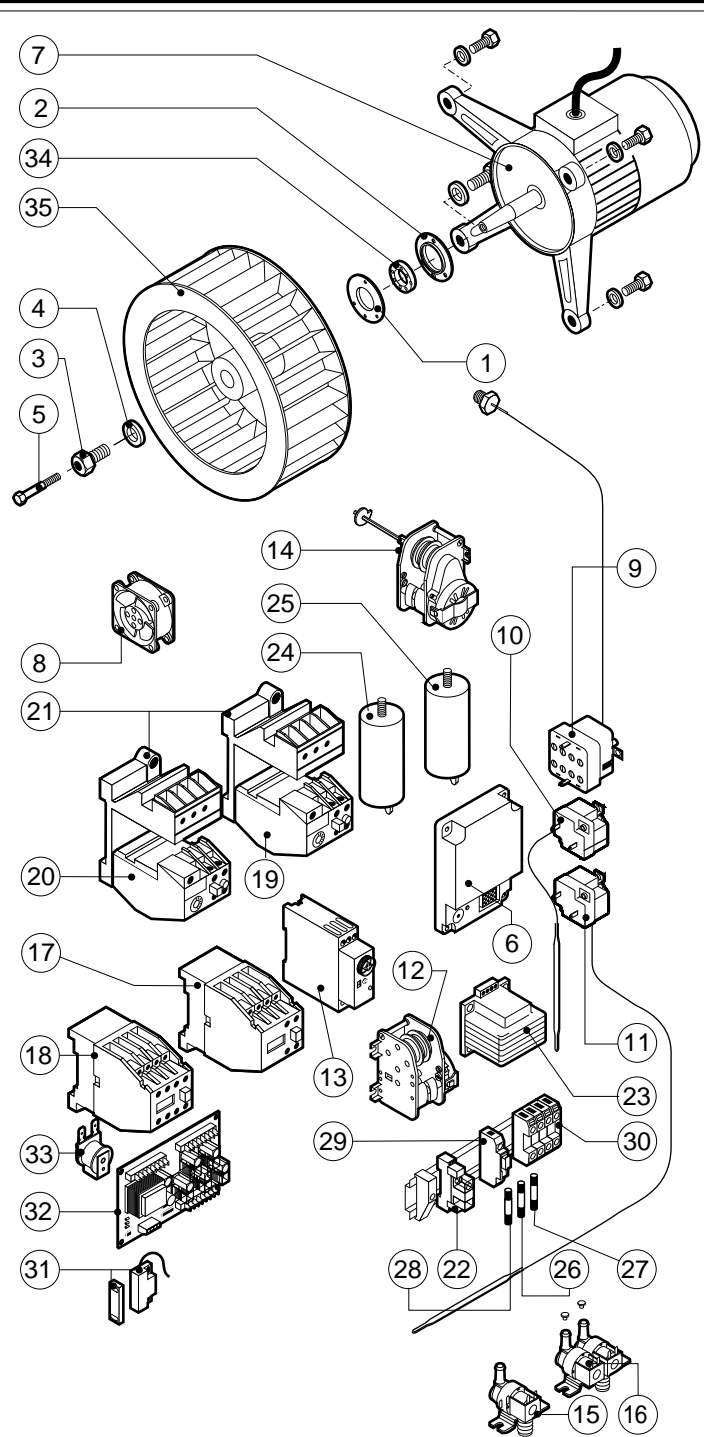
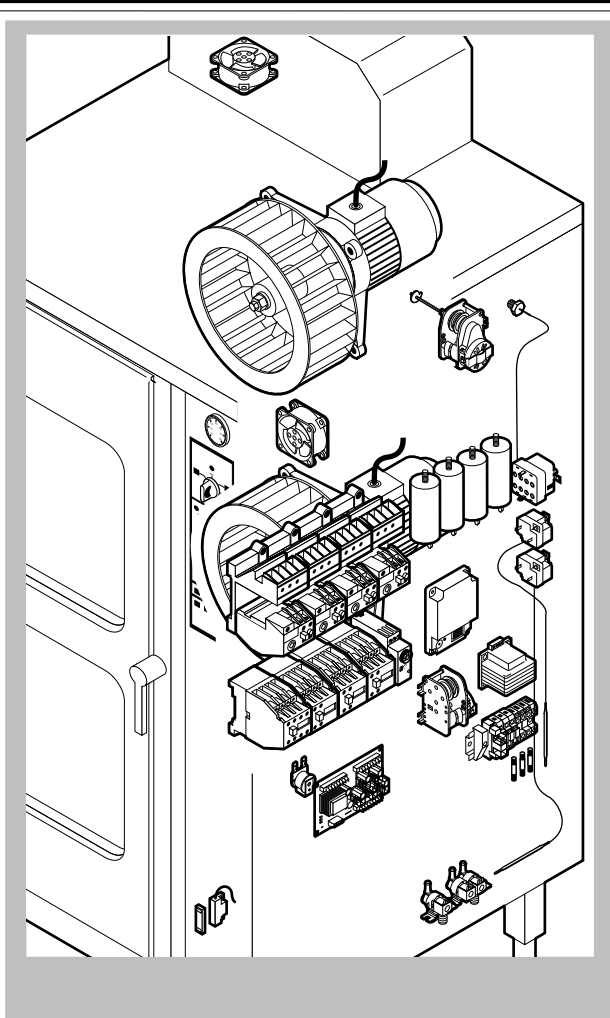
POS.	CODE	PIECES	DESCRIPTION
1	R10104270	1	DOOR ASSEMBLY
2	R10104820	1	CONTROL PANEL WITH PLATE
3	R10201600	1	LEFT SIDE PANEL
4	R10201620	1	RIGHT SIDE PANEL
5	R10201630	1	REAR PANEL
6	R10206260	1	COVER PANEL
7	R10206480	2	SPRITZER EXTENSION
8	R10206540	2	SPRITZER UNION
9	R10207281	1	FAN GUARD PANEL ASSEMBLY
10	R10207521	1	COOKING CABINET ASSEMBLY
11	R58003100	2	FAN GUARD FASTENING SCREW
12	R69070070	4	FOOT 1"1/4x120
13	R70041010	1	FRONT GASKET
14	R75300060	2	FAN GUARD GRID Ø 270

POS.	CODE	PIECES	DESCRIPTION



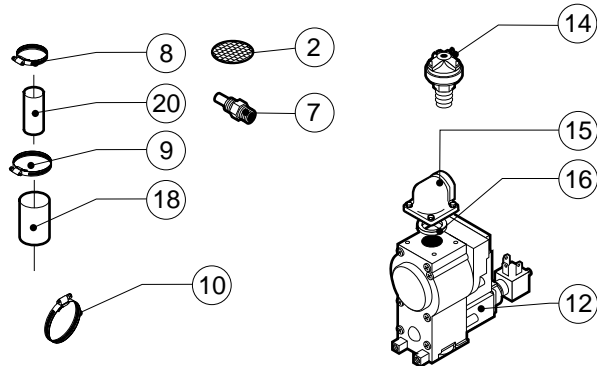
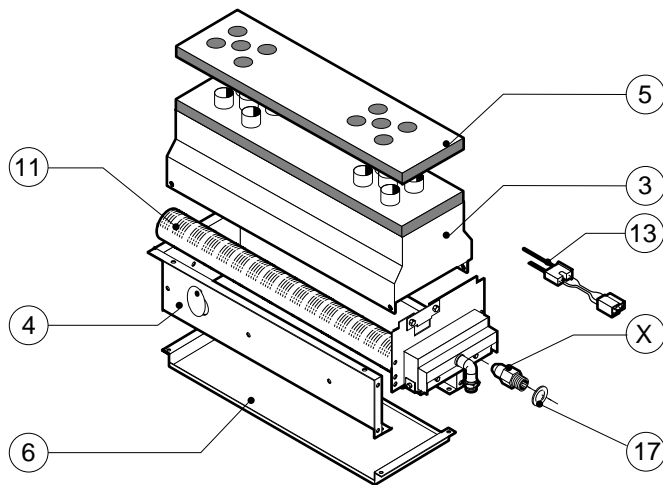
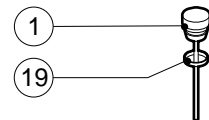
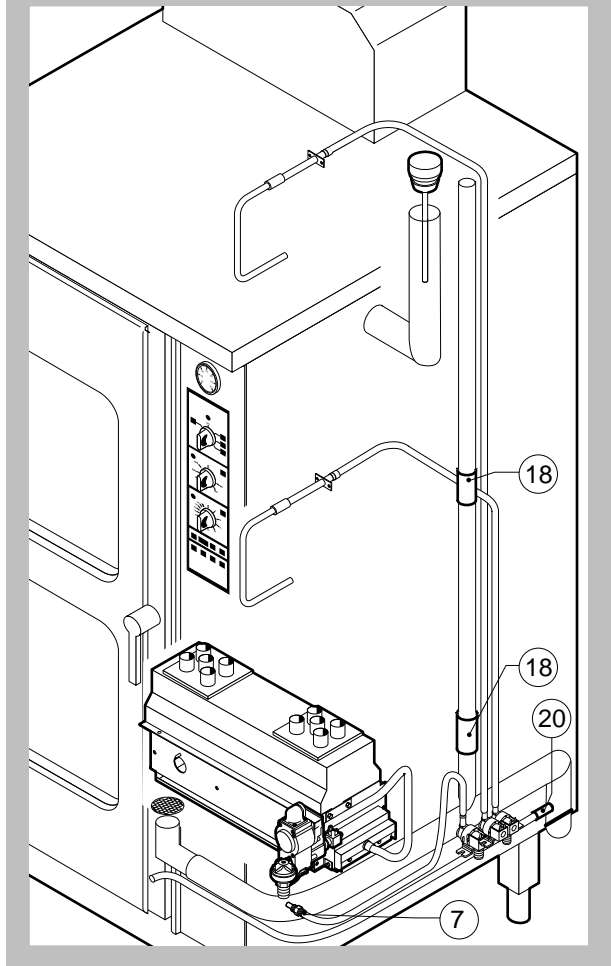
POS.	CODE	PIECES	DESCRIPTION
1	R03200970	1	DOOR LOCK REAR FLANGE
2	R10201290	1	UPPER DOOR HINGE
3	R10201330	1	LOWER DOOR HINGE WITH RETAINER
4	R10202950	1	LOWER DOOR ROD
5	R10202960	1	UPPER DOOR ROD
6	R10207630	1	DOOR
7	R10207680	2	DOOR ROD ADJUSTABLE PLATE
8	R10208290	1	FRONT LOWER DOOR PANEL CATCH
9	R10208300	1	FRONT UPPER DOOR PANEL CATCH
10	R10208340	1	FRONT DOOR PANEL
11	R10400150	2	LIGHT PROTECTION
12	R10410770	1	INNER DOOR PANEL
13	R10411350	1	LOWER SQUARE FOR DOOR ROD
14	R10411360	1	UPPER SQUARE FOR DOOR ROD
15	R10456040	2	LOWER HINGE FOR FRONT DOOR PANEL
16	R10456050	1	UPPER HINGE FOR FRONT DOOR PANEL
17	R58002150	1	HINGE PIN
18	R58002540	1	DOOR PIVOT SUNK KEY
19	R58002550	1	DOOR RETAINER GUIDE SHOE

POS.	CODE	PIECES	DESCRIPTION
20	R58002560	1	SCREW FOR LOWER DOOR HINGE
21	R58002570	1	WASHER Ø 30/15x3
22	R58003180	1	DOOR HANDLE PIN
23	R58003450	1	DOOR HANDLE
24	R58004050	1	NUT FOR UPPER DOOR HINGE
25	R58004781	1	DOOR HANDLE HOOK
26	R61040272	1	DOOR HANDLE HOOK SCREW
27	R61090052	1	GRUB SCREW M6x16
28	R61100262	1	GRUB SCREW M8x20
29	R61420021	1	ELASTIC WASHER
30	R61620091	16	BELLEVILLE WASHER Ø 14/6.4
31	R65270020	2	LIGHT 20W 12V G4
32	R65270400	2	LIGHT SOCKET
33	R69015050	1	DOOR HANDLE ASSEMBLY
34	R70040200	4	GLASS GASKET
35	R70040800	2	LIGHT PROTECTION GASKET
36	R70042040	1	DOOR GASKET
37	R71030120	2	DOOR GLASS



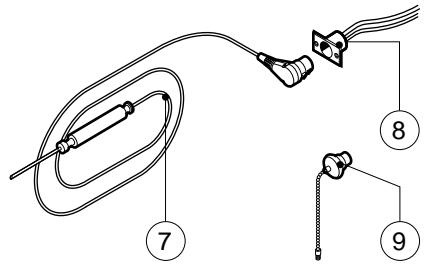
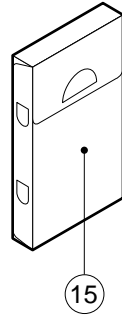
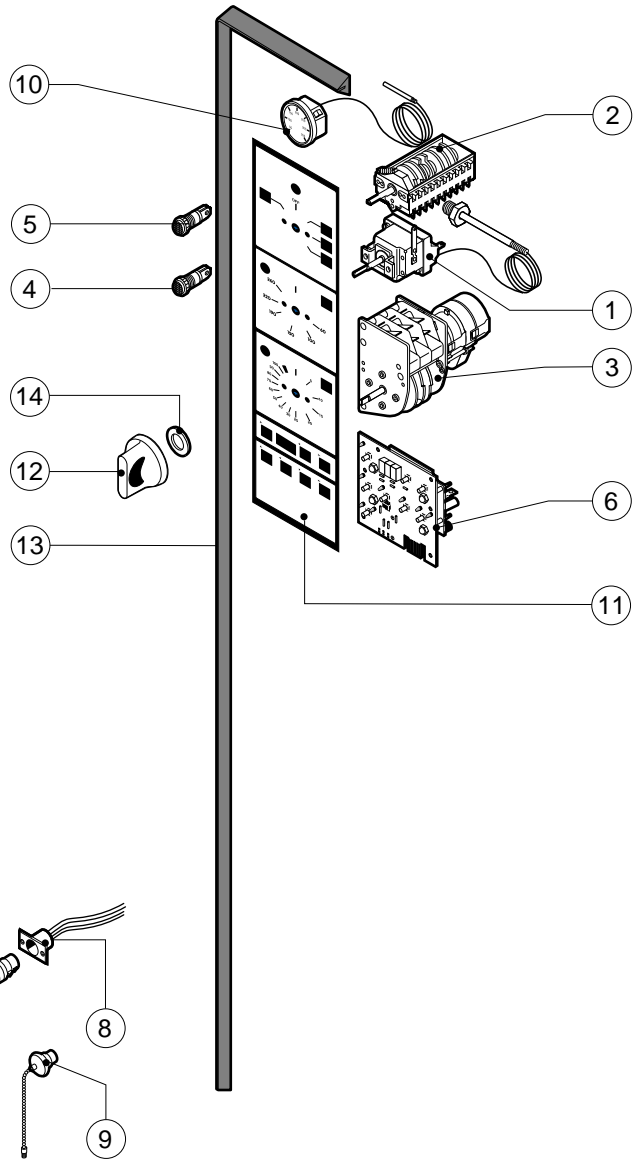
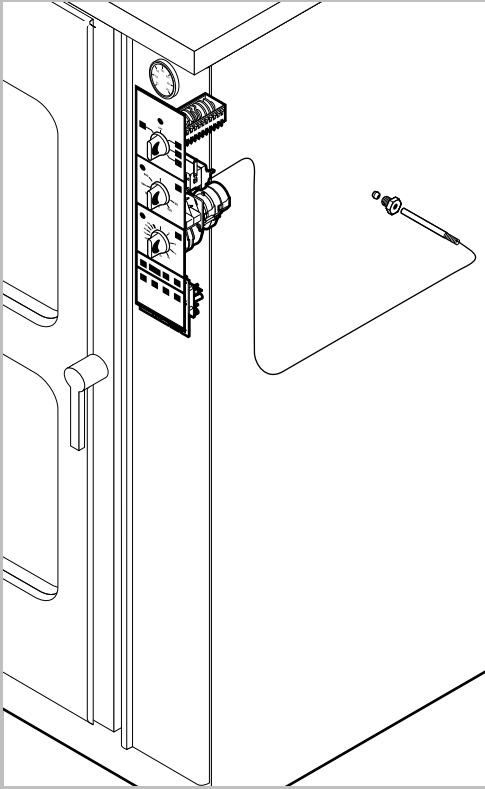
POS.	CODE	PIECES	DESCRIPTION
1	R58003840	2	MOTOR GASKET BRASS FLANGE
2	R58003850	2	MOTOR GASKET BRASS COUNTER FLANGE
3	R58004000	2	FAN SCREW M12x1.5 SX
4	R58004010	2	FAN WASHER Ø 30/12.5
5	R61020562	2	FAN SCREW TE A2 M6x55
6	R63060080	1	BURNER IGNITION PANEL WR 50A72-214
7	R65040031	2	MOTOR HP 1/0.3 KIT
8	R65060010	2	COMPONENTS VENTILATION MOTOR Ø 80
9	R65070070	1	CHAMBER SAFETY THERMOSTAT
10	R65070165	1	THERMOSTAT 65°C
11	R65070240	1	THERMOSTAT 70°C
12	R65090190	1	REVERSING SWITCH 8'
13	R65090450	1	IGNITION DELAY TIMER
14	R65095010	1	DAMPER SYSTEM
15	R65110010	1	SOLENOID VALVE 220V 50HZ
16	R65115060	1	SOLENOID VALVE 220V 50HZ WITH 2 FLOW REDUCER
17	R65140150	3	CONTACTOR 3TF4011-OAUO 240V
18	R65140170	1	CONTACTOR 3TF4022-OAUO 240V
19	R65160120	2	THERMIC PROTECTION 3UA5000-1C 1.6-2.5A
20	R65160130	2	THERMIC PROTECTION 3UA5000-1F 3.2-5A

POS.	CODE	PIECES	DESCRIPTION
21	R65160050	4	THERMIC SWITCH SUPPORT 3UX1418
22	R65170050	1	RELAY 4052 240V AC 10A
23	R65180430	1	TRANSFORMER 40VA
24	R65190030	2	CAPACITOR 16 µF
25	R65190090	2	CAPACITOR 12.5 µF
26	R65200086	1	FUSE 0.125A (T)
27	R65200200	1	FUSE 2A
28	R65200350	1	FUSE 0.4A (T)
29	R65210020	3	FUSE CARRIER
30	R65220090	1	TERMINAL BOARD
31	R65265100	1	DOOR SWITCH
32	R65300520	1	RELAYS P.C. BOARD
33	R65330010	1	BUZZER
34	R70020050	2	MOTOR GASKET
35	R75400290	2	FAN Ø 300x120/20 50HZ P.D. KIT



POS.	CODE	PIECES	DESCRIPTION
1	R10100140	1	DAMPER SYSTEM CAP
2	R10201710	1	DRAIN FILTER
3	R10202410	1	COMBUSTION CABINET
4	R10202530	1	CABINET BURNERS SUPPORT
5	R10406250	1	COMBUSTION CABINET INSULATION PLATE
6	R10411650	1	CHAMBER BURNERS PROTECTION PLATE
7	R58006080	1	STEAM QUENCHING NOZZLE Ø 2
8	R61630011	10	METAL CLAMPS 12-22/9
9	R61630021	2	METAL CLAMPS 30-45/9
10	R61630041	4	METAL CLAMPS 70-90/9
11	R63016110	1	CHAMBER BURNER ASSEMBLY
12	R63020010	1	GAS SOLENOID VALVE VR4605
13	R63050040	1	IGNITOR/SENSOR WR 768G213
14	R63070010	1	GAS SAFETY PRESSURE SWITCH PG 901.61
15	R63080020	2	CURVED FLANGE 1/2"
16	R70010070	2	RING
17	R70030090	2	NOZZLE GASKET
18	R70060010	2	SILICON COUPLING Ø 30
19	R70060020	1	DAMPER SYSTEM CAP GASKET

POS.	CODE	PIECES	DESCRIPTION
20	R70060060	2	SILICON COUPLING Ø 15
X		2	NOZZLE (See service manual)



POS.	CODE	PIECES	DESCRIPTION
1	R65070210	1	CABINET THERMOSTAT 50/270°C
2	R65080020	1	MAIN SELECTOR SWITCH
3	R65090200	1	TIMER
4	R65270220	2	ORANGE INDICATING LIGHT
5	R65270230	1	GREEN INDICATING LIGHT
6	R65300570	1	CONTROL PANEL P.C. BOARD
7	R65320900	1	CORE TEMPERATURE PROBE
8	R65320920	1	CORE TEMPERATURE PROBE FEMALE CONNECTOR
9	R65321020	1	COVER FOR FEMALE CONNECTOR
10	R65340050	1	THERMOMETER
11	R67010550	1	LAINOX PLATE
12	R69030150	3	KNOB KIT
13	R70040850	1	CONTROL PANEL GASKET
14	R70050020	6	KNOB GASKET
15	R86020420	1	CORE TEMPERATURE PROBE BOX

POS.	CODE	PIECES	DESCRIPTION