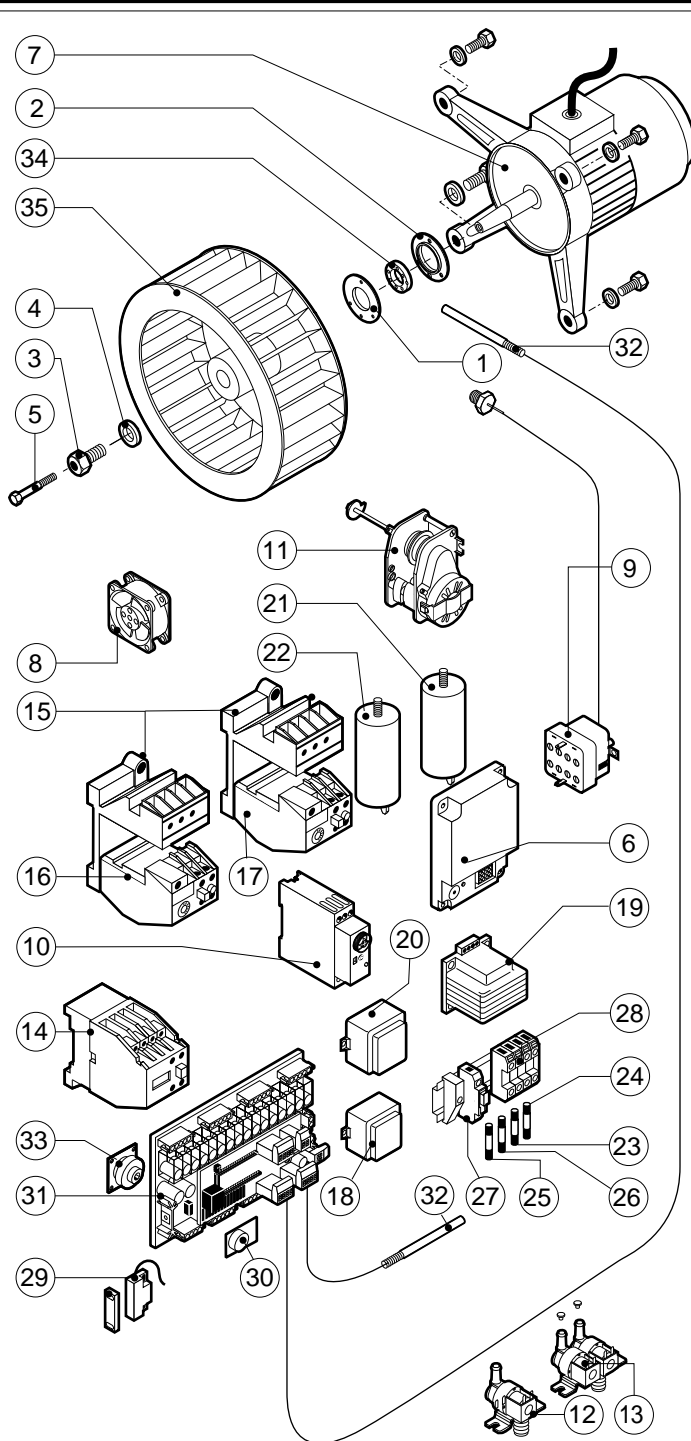
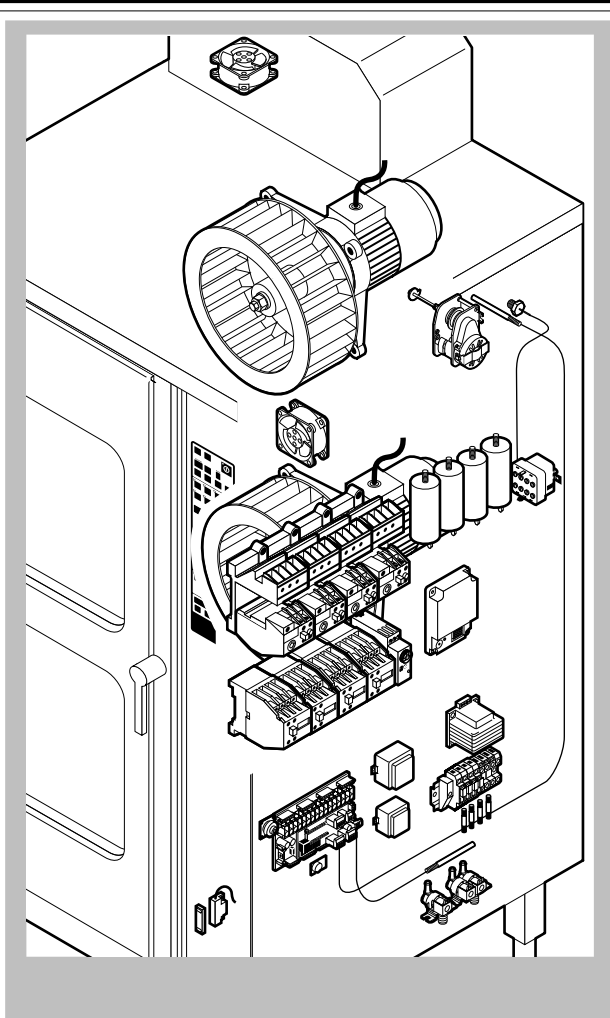


| POS. | CODE | PIECES | DESCRIPTION |
|------|-----------|--------|----------------------------------|
| 1 | R03200970 | 1 | DOOR LOCK REAR FLANGE |
| 2 | R10201290 | 1 | UPPER DOOR HINGE |
| 3 | R10201330 | 1 | LOWER DOOR HINGE WITH RETAINER |
| 4 | R10202950 | 1 | LOWER DOOR ROD |
| 5 | R10202960 | 1 | UPPER DOOR ROD |
| 6 | R10207630 | 1 | DOOR |
| 7 | R10207680 | 2 | DOOR ROD ADJUSTABLE PLATE |
| 8 | R10208290 | 1 | FRONT LOWER DOOR PANEL CATCH |
| 9 | R10208300 | 1 | FRONT UPPER DOOR PANEL CATCH |
| 10 | R10208340 | 1 | FRONT DOOR PANEL |
| 11 | R10400150 | 2 | LIGHT PROTECTION |
| 12 | R10410770 | 1 | INNER DOOR PANEL |
| 13 | R10411350 | 1 | LOWER SQUARE FOR DOOR ROD |
| 14 | R10411360 | 1 | UPPER SQUARE FOR DOOR ROD |
| 15 | R10456040 | 2 | LOWER HINGE FOR FRONT DOOR PANEL |
| 16 | R10456050 | 1 | UPPER HINGE FOR FRONT DOOR PANEL |
| 17 | R58002150 | 1 | HINGE PIN |
| 18 | R58002540 | 1 | DOOR PIVOT SUNK KEY |
| 19 | R58002550 | 1 | DOOR RETAINER GUIDE SHOE |

| POS. | CODE | PIECES | DESCRIPTION |
|------|-----------|--------|----------------------------|
| 20 | R58002560 | 1 | SCREW FOR LOWER DOOR HINGE |
| 21 | R58002570 | 1 | WASHER Ø 30/15x3 |
| 22 | R58003180 | 1 | DOOR HANDLE PIN |
| 23 | R58003450 | 1 | DOOR HANDLE |
| 24 | R58004050 | 1 | NUT FOR UPPER DOOR HINGE |
| 25 | R58004781 | 1 | DOOR HANDLE HOOK |
| 26 | R61040272 | 1 | DOOR HANDLE HOOK SCREW |
| 27 | R61090052 | 1 | GRUB SCREW M6x16 |
| 28 | R61100262 | 1 | GRUB SCREW M8x20 |
| 29 | R61420021 | 1 | ELASTIC WASHER |
| 30 | R61620091 | 16 | BELLEVILLE WASHER Ø 14/6.4 |
| 31 | R65270020 | 2 | LIGHT 20W 12V G4 |
| 32 | R65270400 | 2 | LIGHT SOCKET |
| 33 | R69015050 | 1 | DOOR HANDLE ASSEMBLY |
| 34 | R70040200 | 4 | GLASS GASKET |
| 35 | R70040800 | 2 | LIGHT PROTECTION GASKET |
| 36 | R70042040 | 1 | DOOR GASKET |
| 37 | R71030120 | 2 | DOOR GLASS |



| POS. | CODE | PIECES | DESCRIPTION |
|------|-----------|--------|--|
| 1 | R58003840 | 2 | MOTOR GASKET BRASS FLANGE |
| 2 | R58003850 | 2 | MOTOR GASKET BRASS COUNTER FLANGE |
| 3 | R58004000 | 2 | FAN SCREW M12x1.5 SX |
| 4 | R58004010 | 2 | FAN WASHER Ø 30/12.5 |
| 5 | R61020562 | 2 | FAN SCREW TE A2 M6x55 |
| 6 | R63060080 | 1 | BURNER IGNITION PANEL WR 50A72-214 |
| 7 | R65040031 | 2 | MOTOR HP 1/0.3 KIT |
| 8 | R65060010 | 2 | COMPONENTS VENTILATION MOTOR Ø 80 |
| 9 | R65070070 | 1 | CHAMBER SAFETY THERMOSTAT |
| 10 | R65090450 | 1 | IGNITION DELAY TIMER |
| 11 | R65095000 | 1 | DAMPER SYSTEM |
| 12 | R65110010 | 1 | SOLENOID VALVE 220V 50HZ |
| 13 | R65115060 | 1 | SOLENOID VALVE 220V 50HZ WITH 2 FLOW REDUCER |
| 14 | R65140150 | 4 | CONTACTOR 3TF4011-OAUO 240V |
| 15 | R65160050 | 4 | THERMIC SWITCH SUPPORT 3UX1418 |
| 16 | R65160120 | 2 | THERMIC PROTECTION 3UA5000-1C 1.6-2.5A |
| 17 | R65160130 | 2 | THERMIC PROTECTION 3UA5000-1F 3.2-5A |
| 18 | R65180410 | 1 | TRANSFORMER 16VA |
| 19 | R65180430 | 1 | TRANSFORMER 40VA |
| 20 | R65180650 | 1 | TRANSFORMER 23VA |

| POS. | CODE | PIECES | DESCRIPTION |
|------|-----------|--------|--------------------------------|
| 21 | R65190030 | 2 | CAPACITOR 16 µF |
| 22 | R65190090 | 2 | CAPACITOR 12.5 µF |
| 23 | R65200086 | 1 | FUSE 0.125A (T) |
| 24 | R65200200 | 1 | FUSE 2A |
| 25 | R65200320 | 1 | FUSE 0.2A (T) |
| 26 | R65200350 | 1 | FUSE 0.4A (T) |
| 27 | R65210020 | 4 | FUSE CARRIER |
| 28 | R65220090 | 1 | TERMINAL BOARD |
| 29 | R65265100 | 1 | DOOR SWITCH |
| 30 | R65300670 | 1 | CLOCK P.C. BOARD |
| 31 | R65300730 | 1 | RELAYS P.C. BOARD |
| 32 | R65325000 | 2 | PROBE PT100 |
| 33 | R65330040 | 1 | BUZZER |
| 34 | R70020050 | 2 | MOTOR GASKET |
| 35 | R75400290 | 2 | FAN Ø 300x120/20 50HZ P.D. KIT |

