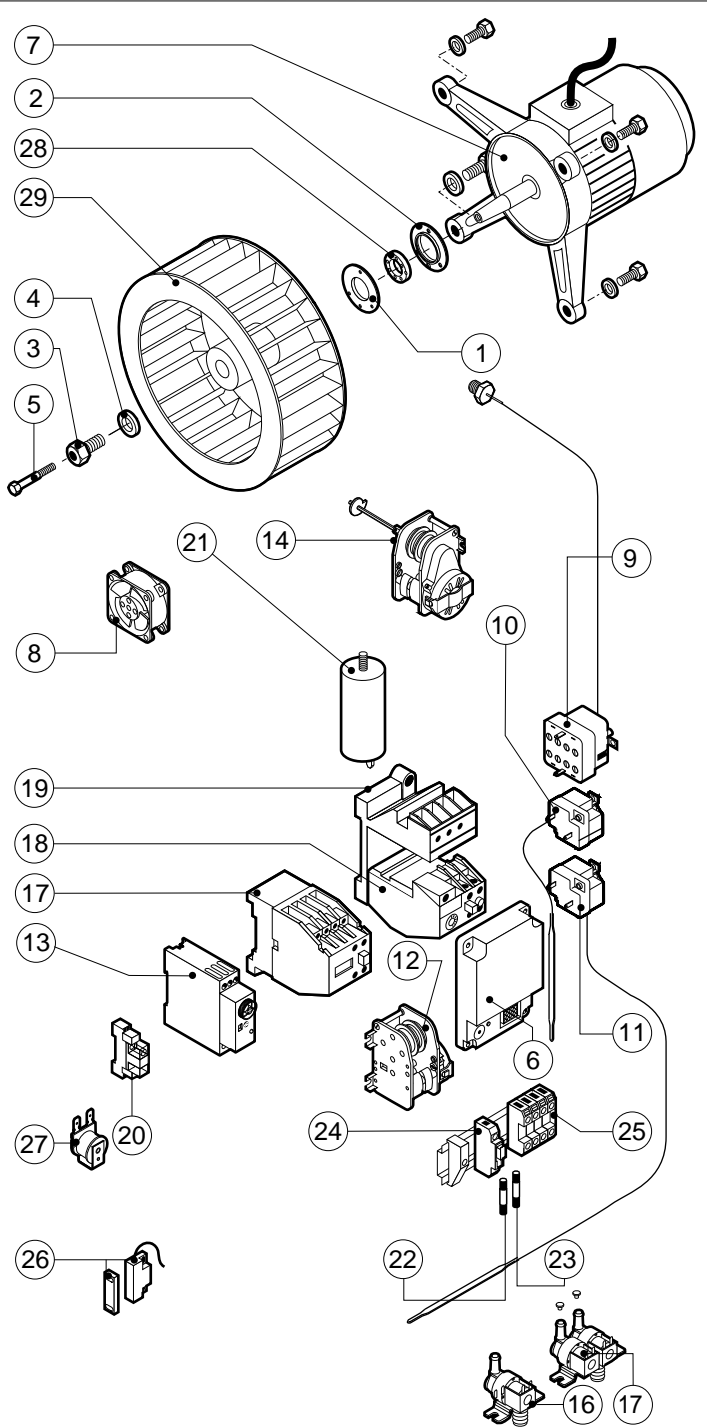
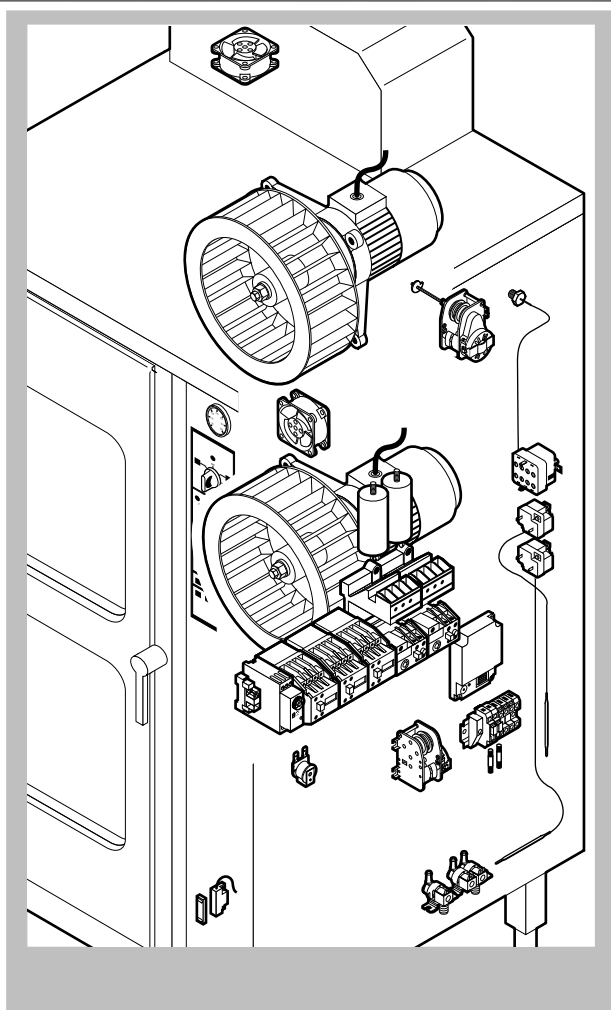


POS.	CODE	PIECES	DESCRIPTION
1	R03200970	1	DOOR LOCK REAR FLANGE
2	R10201290	1	UPPER DOOR HINGE
3	R10201330	1	LOWER DOOR HINGE WITH RETAINER
4	R10202950	1	LOWER DOOR ROD
5	R10202960	1	UPPER DOOR ROD
6	R10207630	1	DOOR
7	R10207680	2	DOOR ROD ADJUSTABLE PLATE
8	R10208290	1	FRONT LOWER DOOR PANEL CATCH
9	R10208300	1	FRONT UPPER DOOR PANEL CATCH
10	R10208340	1	FRONT DOOR PANEL
11	R10410770	1	INNER DOOR PANEL
12	R10411350	1	LOWER SQUARE FOR DOOR ROD
13	R10411360	1	UPPER SQUARE FOR DOOR ROD
14	R10456040	2	LOWER HINGE FOR FRONT DOOR PANEL
15	R10456050	1	UPPER HINGE FOR FRONT DOOR PANEL
16	R58002150	1	HINGE PIN
17	R58002540	1	DOOR PIVOT SUNK KEY
18	R58002550	1	DOOR RETAINER GUIDE SHOE
19	R58002560	1	SCREW FOR LOWER DOOR HINGE

POS.	CODE	PIECES	DESCRIPTION
20	R58002570	1	WASHER Ø 30/15x3
21	R58003180	1	DOOR HANDLE PIN
22	R58003450	1	DOOR HANDLE
23	R58004050	1	NUT FOR UPPER DOOR HINGE
24	R58004781	1	DOOR HANDLE HOOK
25	R61040272	1	DOOR HANDLE HOOK SCREW
26	R61090052	1	GRUB SCREW M6x16
27	R61100262	1	GRUB SCREW M8x20
28	R61420021	1	ELASTIC WASHER
29	R61620091	16	BELLEVILLE WASHER Ø 14/6.4
30	R69015050	1	DOOR HANDLE ASSEMBLY
31	R70040200	4	GLASS GASKET
32	R70042040	1	DOOR GASKET
33	R71030120	2	DOOR GLASS



POS.	CODE	PIECES	DESCRIPTION
1	R58003840	2	MOTOR GASKET BRASS FLANGE
2	R58003850	2	MOTOR GASKET BRASS COUNTER FLANGE
3	R58004000	2	FAN SCREW M12x1.5 SX
4	R58004010	2	FAN WASHER Ø 30/12.5
5	R61020562	2	FAN SCREW TE A2 M6x55
6	R63060080	1	BURNER IGNITION PANEL VR 50A72-214
7	R65040041	2	MOTOR HP 1 KIT
8	R65060010	2	COMPONENTS VENTILATION MOTOR Ø 80
9	R65070070	1	CHAMBER SAFETY THERMOSTAT
10	R65070165	1	THERMOSTAT 65°C
11	R65070240	1	THERMOSTAT 70°C
12	R65090190	1	REVERSING SWITCH 8'
13	R65090450	1	IGNITION DELAY TIMER
14	R65095010	1	DAMPER SYSTEM
15	R65110010	1	SOLENOID VALVE 220V 50HZ
16	R65115060	1	SOLENOID VALVE 220V 50HZ WITH 2 FLOW REDUCER
17	R65140150	3	CONTACTOR 3TF4011-OAUO 240V
18	R65160130	2	THERMIC PROTECTION 3UA5000-1F 3.2-5A
19	R65160050	2	THERMIC SWITCH SUPPORT 3UX1418
20	R65170050	1	RELAY 4052 240V AC 10A

POS.	CODE	PIECES	DESCRIPTION
21	R65190030	2	CAPACITOR 16 µF
22	R65200086	1	FUSE 0.125A (T)
23	R65200200	1	FUSE 2A
24	R65210020	2	FUSE CARRIER
25	R65220090	1	TERMINAL BOARD
26	R65265100	1	DOOR SWITCH
27	R65330010	1	BUZZER
28	R70020050	2	MOTOR GASKET
29	R75400290	2	FAN Ø 300x120/20 50HZ P.D. KIT



