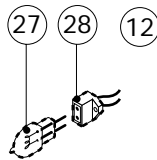
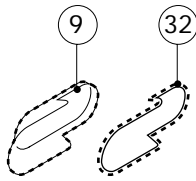
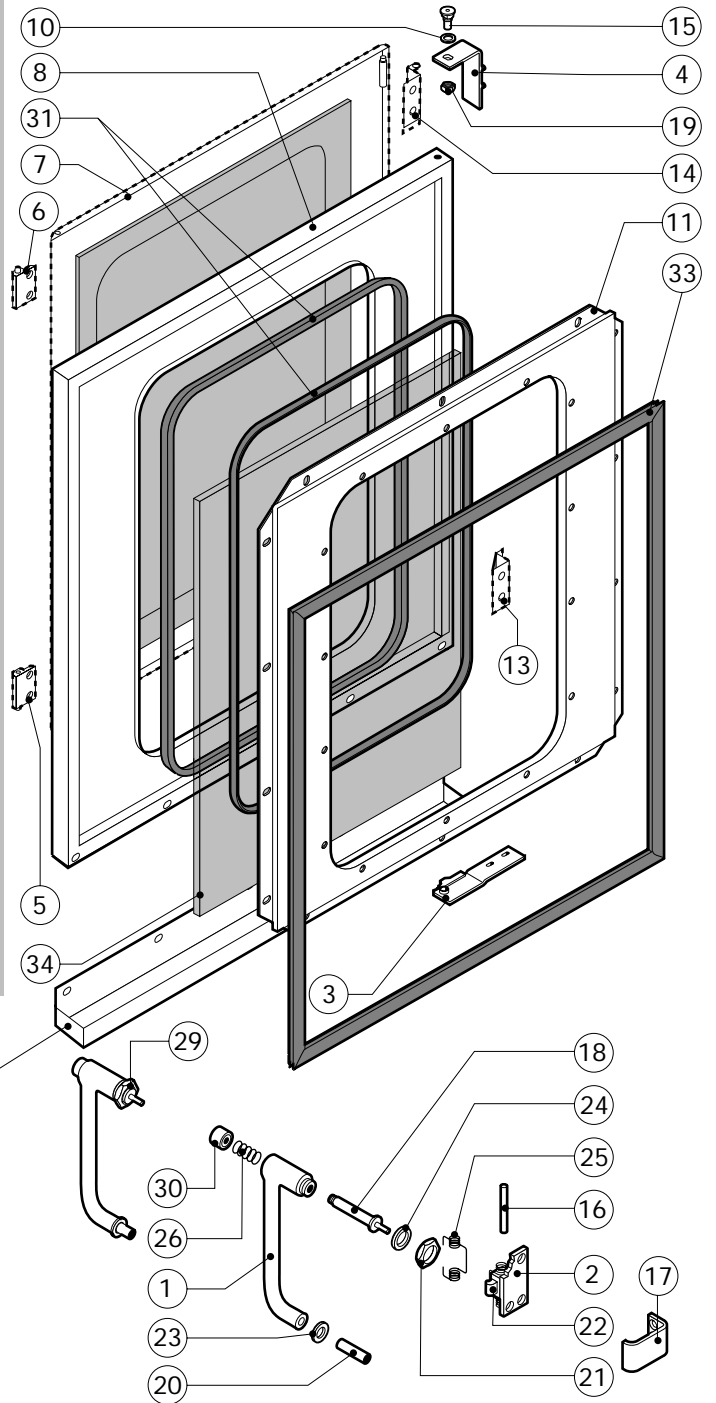
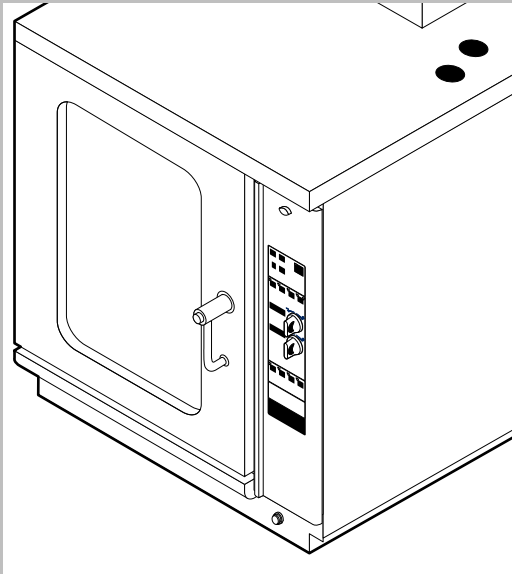


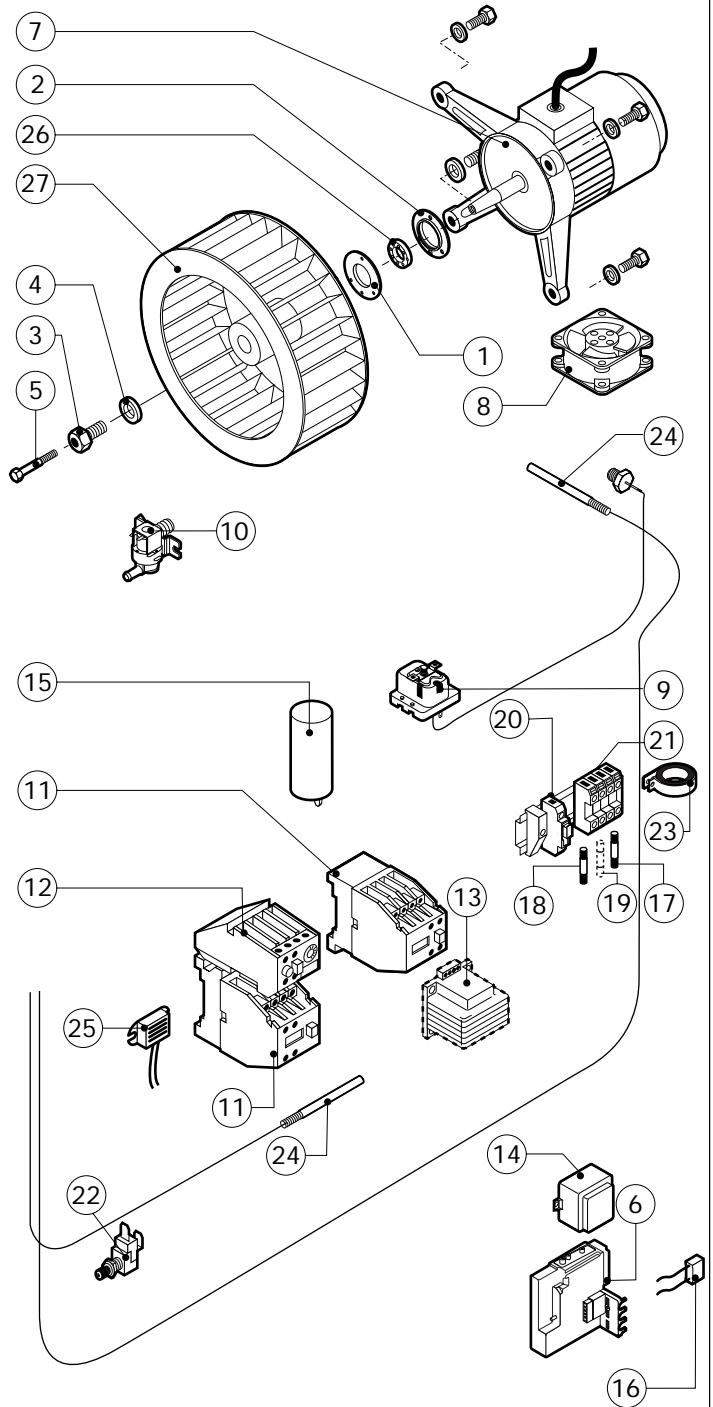
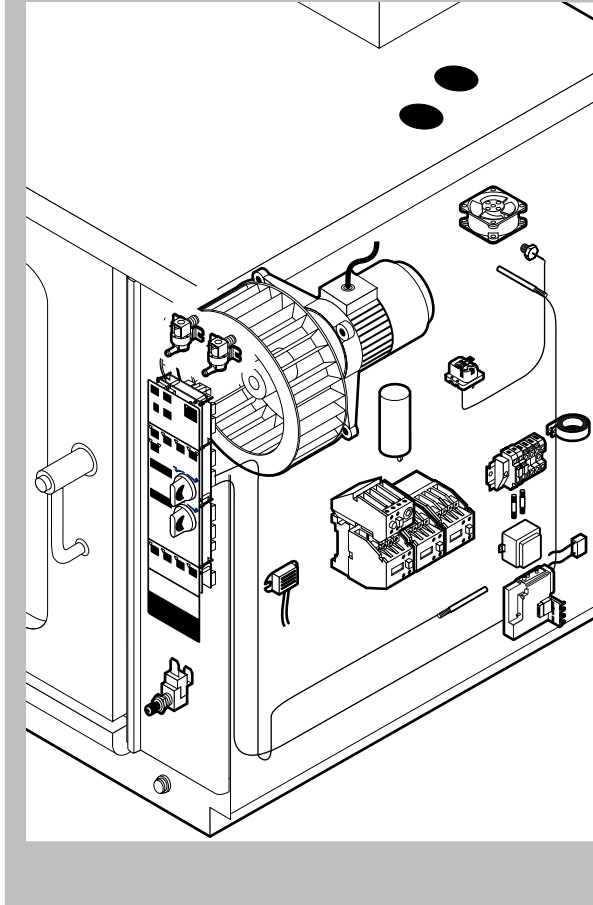
POS.	CODE	PIECES	DESCRIPTION
1	R10105040	1	DOOR ASSEMBLY
2	R10105050	1	DOOR ASSEMBLY WITH LIGHTS
3	R10105060	1	DOOR ASSEMBLY WITH COVER
4	R10105070	1	DOOR ASSEMBLY WITH LIGHTS AND COVER
5	R10205680	1	CONTROL PANEL
6	R10206480	1	SPRITZER EXTENSION
7	R10206540	1	SPRITZER UNION
8	R10207261	1	FAN GUARD PANEL ASSEMBLY
9	R10207481	1	COOKING CABINET ASSEMBLY
10	R10212350	1	RIGHT SIDE PANEL
11	R10212360	1	LEFT SIDE PANEL
12	R10212370	1	REAR PANEL
13	R10212760	1	COVER PANEL
14	R58003100	2	FAN GUARD FASTENING SCREW
15	R70043260	1	FRONT GASKET
16	R75300020	1	FAN GUARD GRID Ø 120
17	R75300060	1	FAN GUARD GRID Ø 270

POS.	CODE	PIECES	DESCRIPTION



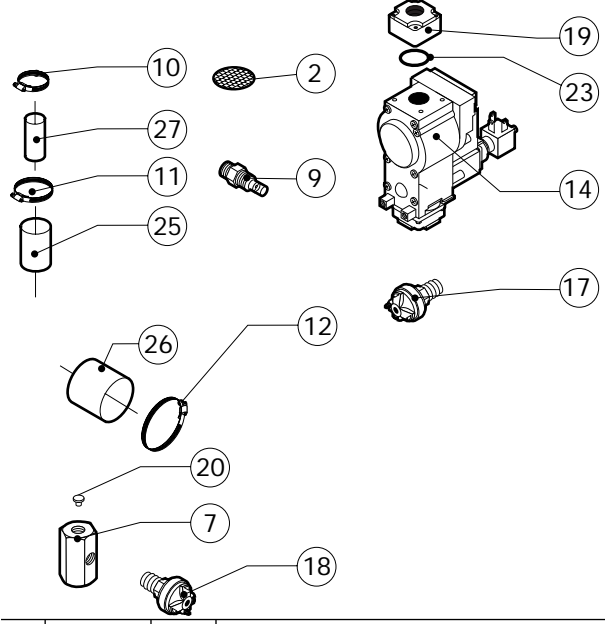
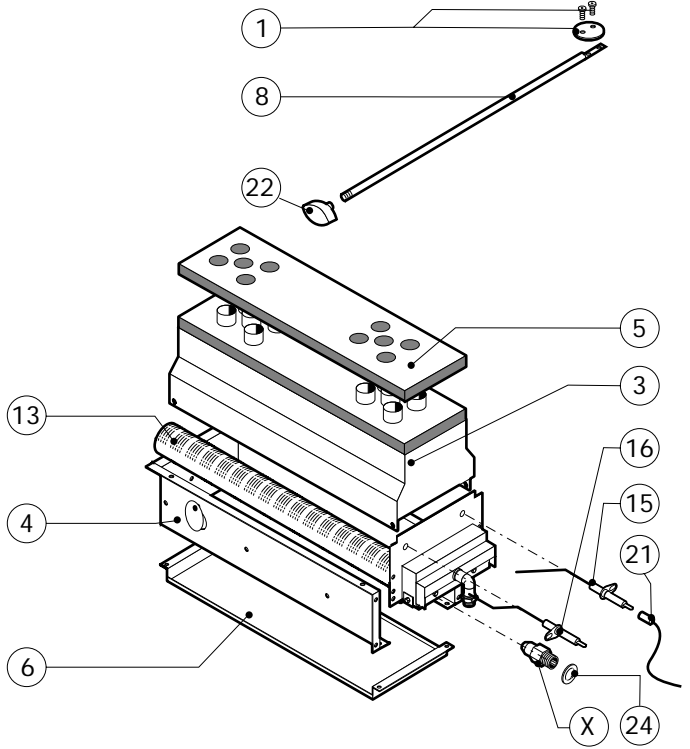
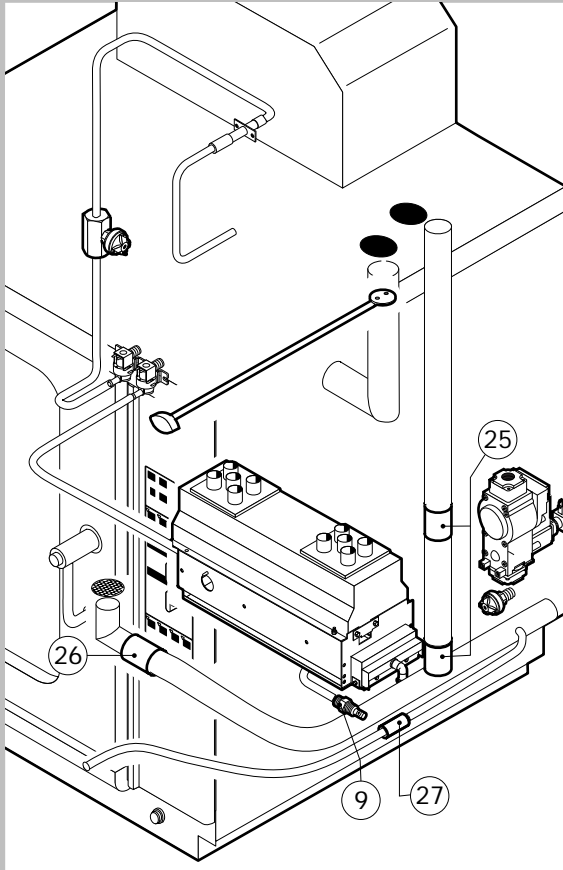
POS.	CODE	PIECES	DESCRIPTION
1	R09200230	1	DOOR HANDLE
2	R10100110	1	PRONG FLANGE
3	R10201190	1	LOWER DOOR HINGE
4	R10201290	1	UPPER DOOR HINGE
5	R10208290	1	FRONT LOWER DOOR PANEL CATCH
6	R10208300	1	FRONT UPPER DOOR PANEL CATCH
7	R10208320	1	FRONT DOOR PANEL
8	R10212230	1	DOOR
9	R10400150	2	LIGHT PROTECTION
10	R10401710	1	WASHER FOR UPPER DOOR HINGE
11	R10405470	1	INNER DOOR PANEL
12	R10441140	1	DOOR DRIP TRAY
13	R10456040	1	LOWER HINGE FOR FRONT DOOR PANEL
14	R10456050	1	UPPER HINGE FOR FRONT DOOR PANEL
15	R58002150	1	HINGE PIN
16	R58002160	1	DOOR HANDLE PRONG PIN
17	R58002760	1	DOOR HANDLE PRONG COUPLER
18	R58003240	1	DOOR HANDLE BUTTON ROD
19	R58004050	1	NUT FOR UPPER DOOR HINGE

POS.	CODE	PIECES	DESCRIPTION
20	R58004270	1	DOOR HANDLE SPACER
21	R58004830	1	RING NUT M18x1
22	R58005050	1	DOOR HANDLE PRONG
23	R58005340	1	DOOR HANDLE LOWER INSULATION WASHER
24	R58005350	1	DOOR HANDLE UPPER INSULATION WASHER
25	R61620012	1	DOOR HANDLE CATCH SPRING
26	R61620041	1	DOOR HANDLE BUTTON SPRING
27	R65270020	2	LIGHT 20W 12V G4
28	R65270400	2	LIGHT SOCKET
29	R69015000	1	DOOR HANDLE ASSEMBLY
30	R69031190	1	DOOR HANDLE PUSH BUTTON
31	R70040200	2	GLASS GASKET
32	R70040800	2	LIGHT PROTECTION GASKET
33	R70042020	1	DOOR GASKET
34	R71030120	1	DOOR GLASS



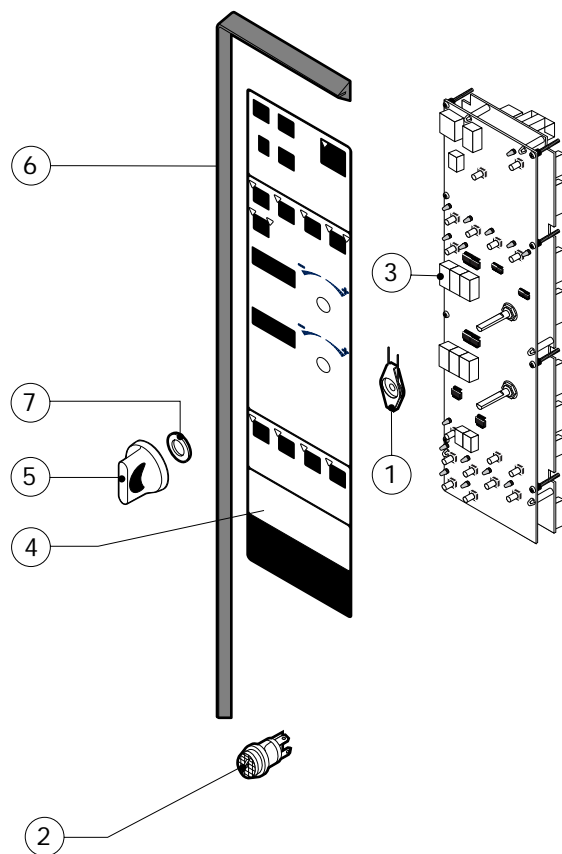
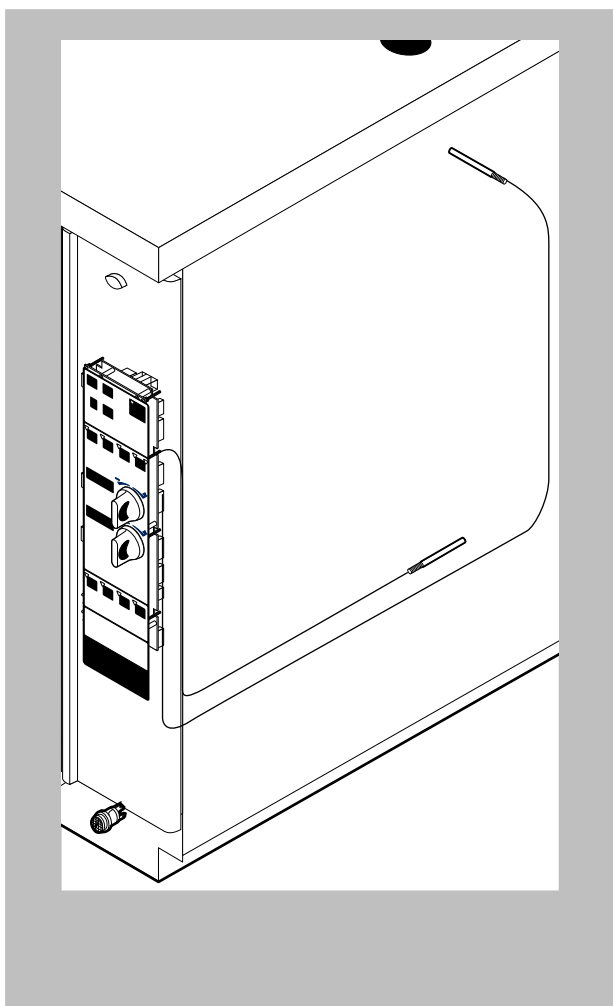
POS.	CODE	PIECES	DESCRIPTION
1	R58003840	1	MOTOR GASKET BRASS FLANGE
2	R58003850	1	MOTOR GASKET BRASS COUNTER FLANGE
3	R58004000	1	FAN SCREW M12x1.5 SX
4	R58004010	1	FAN WASHER Ø 30/12.5
5	R61020562	1	FAN SCREW TE A2 M6x55
6	R63060100	1	BURNER IGNITION PANEL
7	R65040041	1	MOTOR HP 1 KIT
8	R65060050	1	COMPONENTS VENTILATION MOTOR Ø 120
9	R65070070	1	CHAMBER SAFETY THERMOSTAT
10	R65110010	2	SOLENOID VALVE 220V 50HZ
11	R65140150	3	CONTACTOR 3TF4011-OAUO 240V
12	R65160130	1	THERMIC PROTECTION 3UA5000-1F 3.2-5A
13	R65180430	1	TRANSFORMER 40VA
14	R65180650	1	TRANSFORMER 23VA
15	R65190030	1	CAPACITOR 16 µF
16	R65190200	1	INTERFERENCE SUPPRESSOR
17	R65200200	1	FUSE 2A
18	R65200320	1	FUSE 0.2A (T)
19	R65200350	1	FUSE 0.4A (T)

POS.	CODE	PIECES	DESCRIPTION
20	R65210020	3	FUSE CARRIER
21	R65220090	1	TERMINAL BOARD
22	R65260540	1	DOOR SWITCH
23	R65280460	1	FERRITE
24	R65325000	2	PROBE PT100
25	R65330020	1	BUZZER
26	R70020050	1	MOTOR GASKET
27	R75400290	1	FAN Ø 300x120/20 50HZ P.D. KIT



POS.	CODE	PIECES	DESCRIPTION
1	R04403460	1	CHAMBER VENT PLATE Ø 46
2	R10201700	1	DRAIN FILTER
3	R10202410	1	COMBUSTION CABINET
4	R10202510	1	CABINET BURNERS SUPPORT
5	R10406250	1	COMBUSTION CABINET INSULATION PLATE
6	R10406980	1	CHAMBER BURNERS PROTECTION PLATE
7	R58003390	1	PRESSURE SWITCH BRASS PIPE FITTING
8	R58003470	1	CHAMBER VENT ROD
9	R58006100	1	STEAM QUENCHING NOZZLE Ø 1.5
10	R61630011	6	METAL CLAMPS 12-22/9
11	R61630021	2	METAL CLAMPS 30-45/9
12	R61630031	2	METAL CLAMPS 40-60/9
13	R63016240	1	CHAMBER BURNER ASSEMBLY
14	R63020150	1	GAS SOLENOID VALVE
15	R63050340	1	IGNITOR
16	R63050350	1	SENSOR
17	R63070010	1	GAS SAFETY PRESSURE SWITCH PG 901.61
18	R63070050	1	WATER SAFETY PRESSURE SWITCH 1/8" 0.5-0.35 BAR
19	R63080040	2	STRAIGHT FLANGE 1/2"

POS.	CODE	PIECES	DESCRIPTION
20	R65110410	1	FLOW REDUCER
21	R66605900	2	FLAME IGNITION CABLE/FLAME SENSOR CABLE
22	R69010410	1	STEAM OUTLET KNOB
23	R70010070	2	RING
24	R70030090	2	NOZZLE GASKET
25	R70060010	2	SILICON COUPLING Ø 30
26	R70060040	1	SILICON COUPLING Ø 50
27	R70060080	1	SILICON COUPLING Ø 13
X		2	NOZZLE (See service manual)



POS.	CODE	PIECES	DESCRIPTION
1	R10205120	2	KNOB SPRING
2	R65260480	1	UNIPOLAR PUSH BUTTON
3	R65300800	1	CONTROL PANEL P.C. BOARD
4	R67012320	1	LAINOX PLATE
5	R69030150	2	KNOB KIT
6	R70040840	1	CONTROL PANEL GASKET
7	R70050020	4	KNOB GASKET

POS.	CODE	PIECES	DESCRIPTION