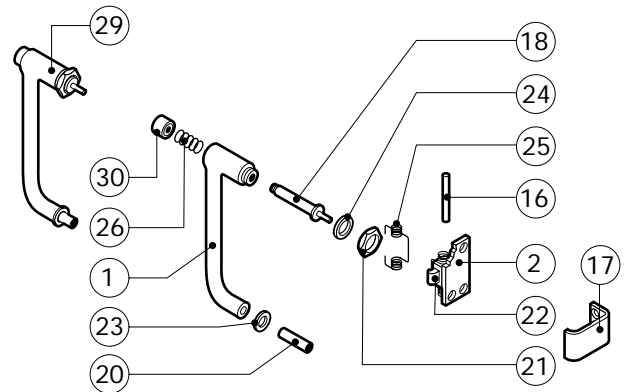
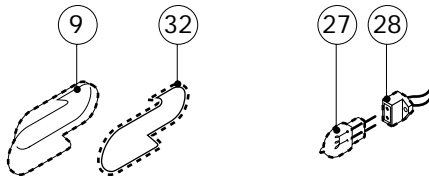
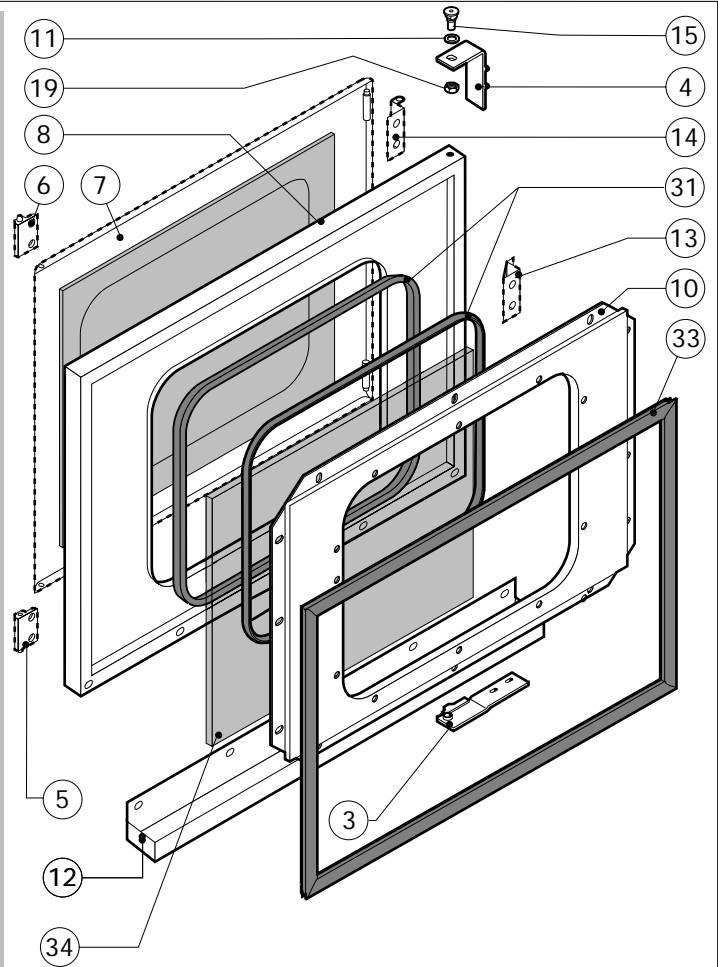
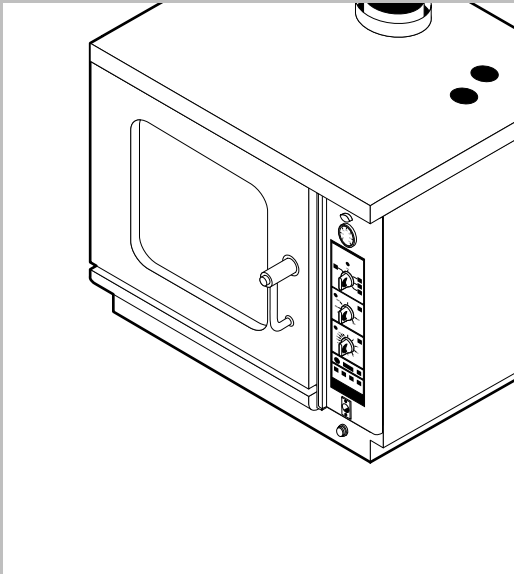


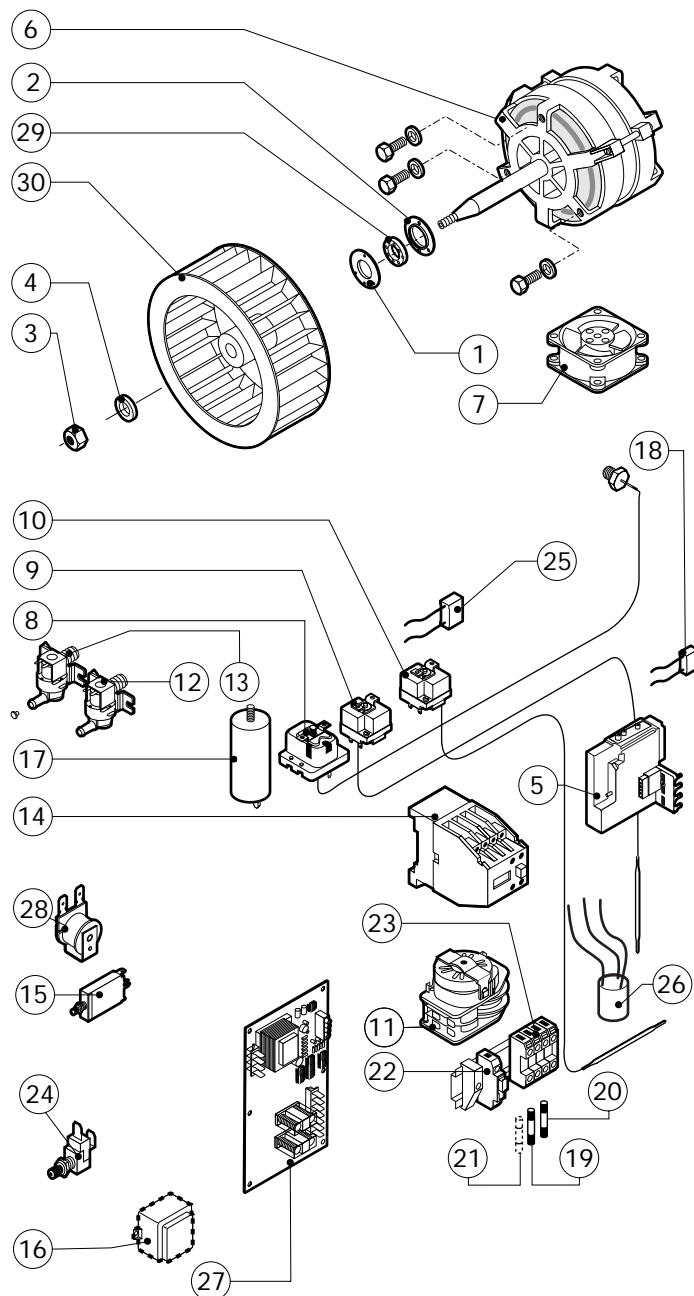
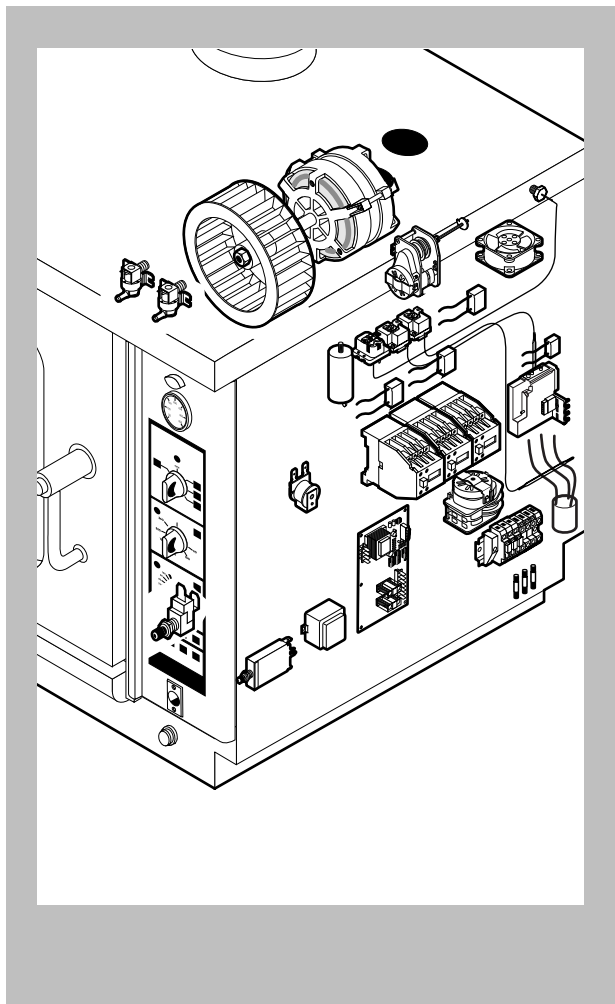
POS.	CODE	PIECES	DESCRIPTION
1	R10105000	1	DOOR ASSEMBLY
2	R10105010	1	DOOR ASSEMBLY WITH LIGHTS
3	R10105020	1	DOOR ASSEMBLY WITH COVER
4	R10105030	1	DOOR ASSEMBLY WITH LIGHTS AND COVER
5	R10206470	1	SPRITZER EXTENSION
6	R10206540	1	SPRITZER UNION
7	R10207251	1	FAN GUARD PANEL ASSEMBLY
8	R10207461	1	COOKING CABINET ASSEMBLY
9	R10212320	1	RIGHT SIDE PANEL
10	R10212330	1	LEFT SIDE PANEL
11	R10212340	1	REAR PANEL
12	R10212740	1	COVER PANEL
13	R10212890	1	CONTROL PANEL
14	R58003100	2	FAN GUARD FASTENING SCREW
15	R70043250	1	FRONT GASKET
16	R75300020	1	FAN GUARD GRID Ø 120
17	R75300030	1	FAN GUARD GRID Ø 190

POS.	CODE	PIECES	DESCRIPTION



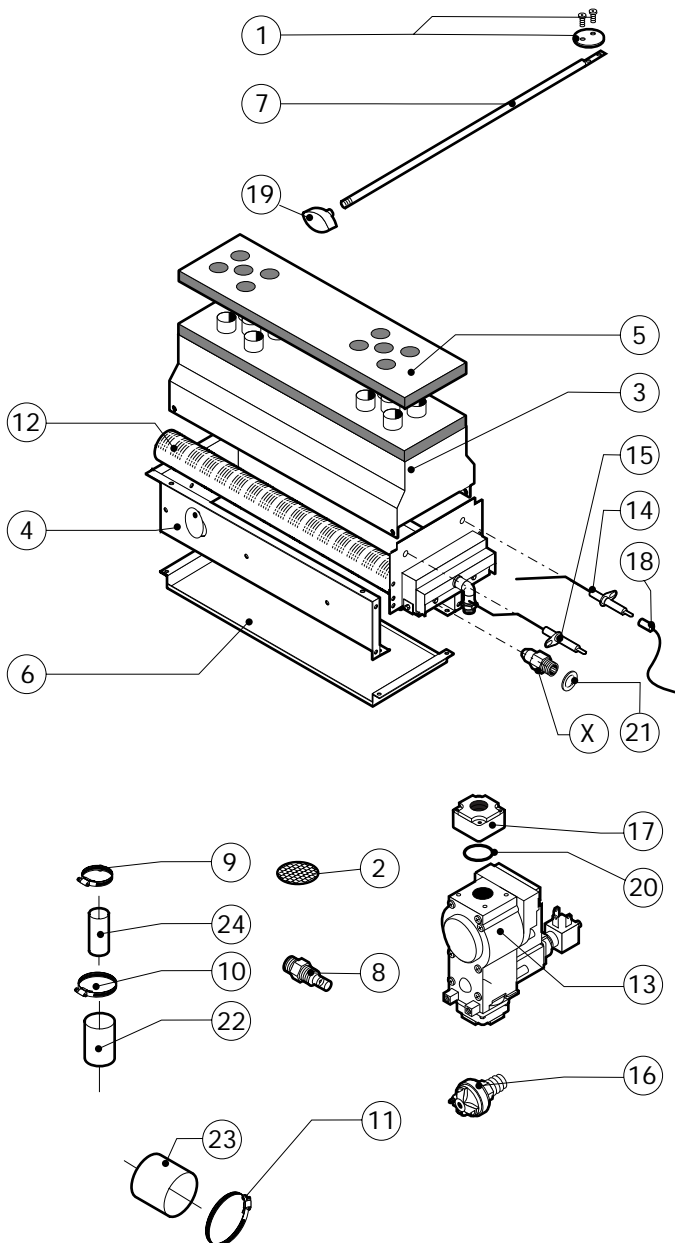
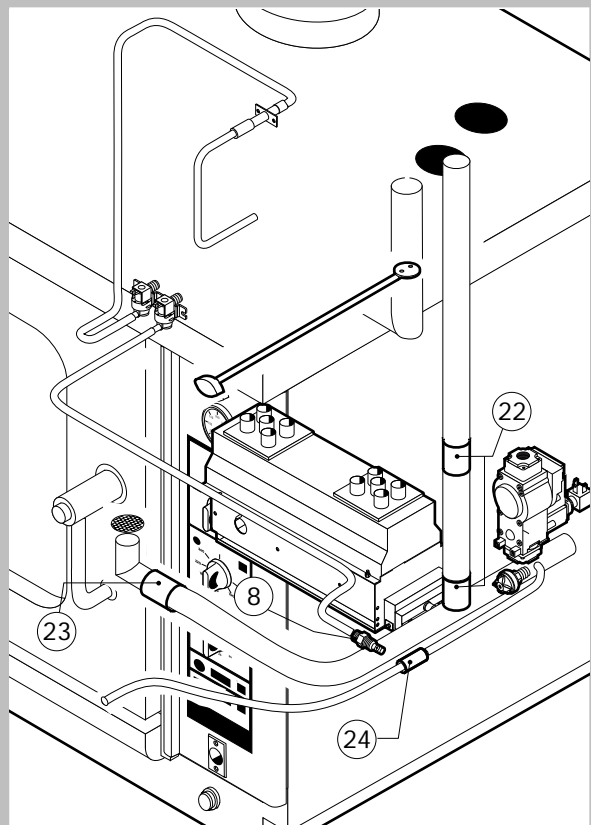
POS.	CODE	PIECES	DESCRIPTION
1	R09200230	1	DOOR HANDLE
2	R10100110	1	PRONG FLANGE
3	R10201190	1	LOWER DOOR HINGE
4	R10201290	1	UPPER DOOR HINGE
5	R10208290	1	FRONT LOWER DOOR PANEL CATCH
6	R10208300	1	FRONT UPPER DOOR PANEL CATCH
7	R10208310	1	FRONT DOOR PANEL
8	R10212220	1	DOOR
9	R10400150	1	LIGHT PROTECTION
10	R10401320	1	INNER DOOR PANEL
11	R10401710	1	WASHER FOR UPPER DOOR HINGE
12	R10441140	1	DOOR DRIP TRAY
13	R10456040	1	LOWER HINGE FOR FRONT DOOR PANEL
14	R10456050	1	UPPER HINGE FOR FRONT DOOR PANEL
15	R58002150	1	HINGE PIN
16	R58002160	1	DOOR HANDLE PRONG PIN
17	R58002760	1	DOOR HANDLE PRONG COUPLER
18	R58003240	1	DOOR HANDLE BUTTON ROD
19	R58004050	1	NUT FOR UPPER DOOR HINGE

POS.	CODE	PIECES	DESCRIPTION
20	R58004270	1	DOOR HANDLE SPACER
21	R58004830	1	RING NUT M18x1
22	R58005050	1	DOOR HANDLE PRONG
23	R58005340	1	DOOR HANDLE LOWER INSULATION WASHER
24	R58005350	1	DOOR HANDLE UPPER INSULATION WASHER
25	R61620012	1	DOOR HANDLE CATCH SPRING
26	R61620041	1	DOOR HANDLE BUTTON SPRING
27	R65270020	1	LIGHT 20W 12V G4
28	R65270400	1	LIGHT SOCKET
29	R69015000	1	DOOR HANDLE ASSEMBLY
30	R69031190	1	DOOR HANDLE PUSH BUTTON
31	R70040080	2	GLASS GASKET
32	R70040800	1	LIGHT PROTECTION GASKET
33	R70042010	1	DOOR GASKET
34	R71030060	1	DOOR GLASS



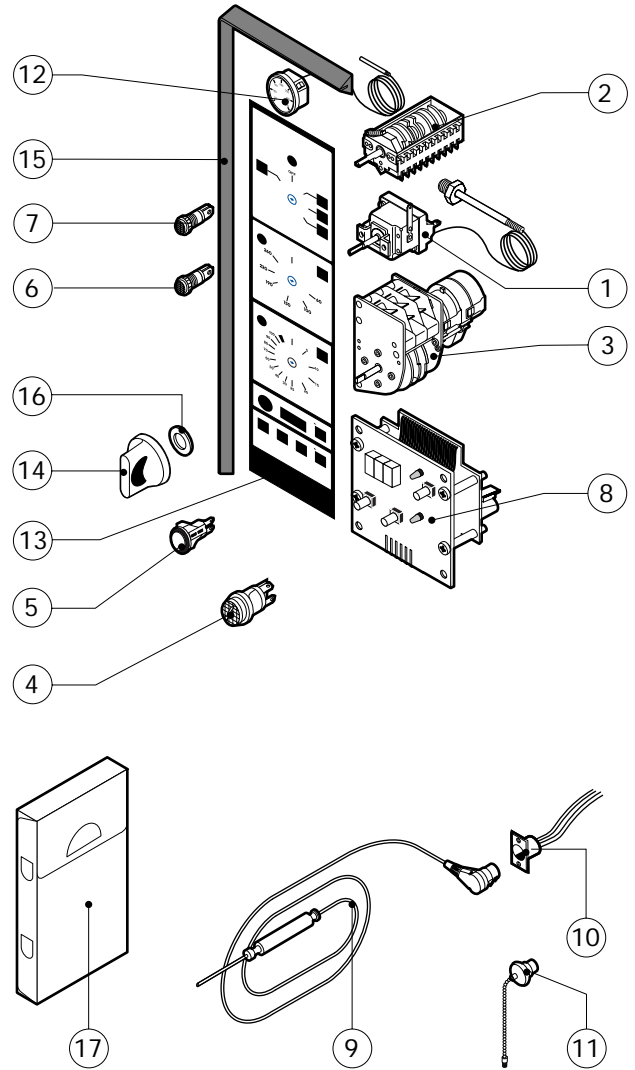
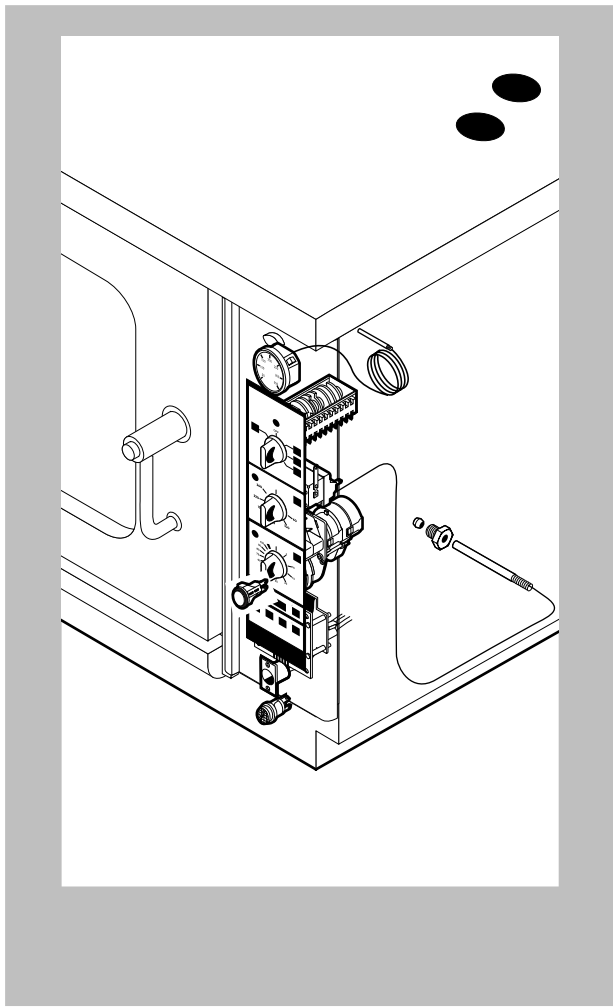
POS.	CODE	PIECES	DESCRIPTION
1	R58003860	1	MOTOR GASKET BRASS FLANGE
2	R58003870	1	MOTOR GASKET BRASS COUNTER FLANGE
3	R58004020	1	FAN SECURITY NUT M10 SX
4	R61400052	1	FAN WASHER Ø 21/10.5
5	R63060100	1	BURNER IGNITION PANEL
6	R65040420	1	MOTOR KW 0.37 KIT
7	R65060050	1	COMPONENTS VENTILATION MOTOR Ø 120
8	R65070070	1	CHAMBER SAFETY THERMOSTAT
9	R65070165	1	THERMOSTAT 65°C
10	R65070240	1	THERMOSTAT 70°C
11	R65090190	1	REVERSING SWITCH 8"
12	R65110010	1	SOLENOID VALVE 220V 50HZ
13	R65115120	1	SOLENOID VALVE 220V 50HZ WITH FLOW REDUCER
14	R65140150	2	CONTACTOR 3TF4011-OAUO 240V
15	R65160310	1	THERMIC PROTECTION T12-211S-2.5A
16	R65180420	1	TRANSFORMER 20VA
17	R65190180	1	CAPACITOR 10 µF
18	R65190200	1	INTERFERENCE SUPPRESSOR
19	R65200086	1	FUSE 0.125A (T)

POS.	CODE	PIECES	DESCRIPTION
20	R65200200	1	FUSE 2A
21	R65200320	1	FUSE 0.2A (T)
22	R65210020	3	FUSE CARRIER
23	R65220090	1	TERMINAL BOARD
24	R65260540	1	DOOR SWITCH
25	R65280130	3	INTERFERENCE SUPPRESSOR
26	R65280200	1	INTERFERENCE SUPPRESSOR
27	R65300490	1	RELAYS P.C. BOARD
28	R65330010	1	BUZZER
29	R70020040	1	MOTOR GASKET
30	R75400400	1	FAN Ø 220x78/12 50HZ P.D. KIT



POS.	CODE	PIECES	DESCRIPTION
1	R04403460	1	CHAMBER VENT PLATE Ø 46
2	R10201700	1	DRAIN FILTER
3	R10202400	1	COMBUSTION CABINET
4	R10202500	1	CABINET BURNERS SUPPORT
5	R10402390	1	COMBUSTION CABINET INSULATION PLATE
6	R10403790	1	CHAMBER BURNERS PROTECTION PLATE
7	R58003460	1	CHAMBER VENT ROD
8	R58006090	1	STEAM QUENCHING NOZZLE Ø 1
9	R61630011	6	METAL CLAMPS 12-22/9
10	R61630021	2	METAL CLAMPS 30-45/9
11	R61630031	2	METAL CLAMPS 40-60/9
12	R63016220	1	CHAMBER BURNER ASSEMBLY
13	R63020150	1	GAS SOLENOID VALVE
14	R63050300	1	IGNITOR
15	R63050310	1	SENSOR
16	R63070010	1	GAS SAFETY PRESSURE SWITCH PG 901.61
17	R63080040	2	STRAIGHT FLANGE 1/2"
18	R66605900	2	FLAME IGNITION CABLE/FLAME SENSOR CABLE
19	R69010410	1	STEAM OUTLET KNOB

POS.	CODE	PIECES	DESCRIPTION
20	R70010070	2	RING
21	R70030090	2	NOZZLE GASKET
22	R70060010	2	SILICON COUPLING Ø 30
23	R70060040	1	SILICON COUPLING Ø 50
24	R70060080	1	SILICON COUPLING Ø 13
X		2	NOZZLE (See service manual)



POS.	CODE	PIECES	DESCRIPTION
1	R65070210	1	CABINET THERMOSTAT 50/270°C
2	R65080020	1	MAIN SELECTOR SWITCH
3	R65090200	1	TIMER
4	R65260480	1	UNIPOLAR PUSH BUTTON
5	R65260520	1	HUMIDIFIER PUSH BUTTON
6	R65270220	2	ORANGE INDICATING LIGHT
7	R65270230	1	GREEN INDICATING LIGHT
8	R65300540	1	CONTROL PANEL P.C. BOARD
9	R65320900	1	CORE TEMPERATURE PROBE
10	R65320920	1	CORE TEMPERATURE PROBE FEMALE CONNECTOR
11	R65321020	1	COVER FOR FEMALE CONNECTOR
12	R65340050	1	THERMOMETER
13	R67012310	1	LAINOX PLATE
14	R69030150	3	KNOB KIT
15	R70040830	1	CONTROL PANEL GASKET
16	R70050020	6	KNOB GASKET
17	R86020420	1	CORE TEMPERATURE PROBE BOX

POS.	CODE	PIECES	DESCRIPTION