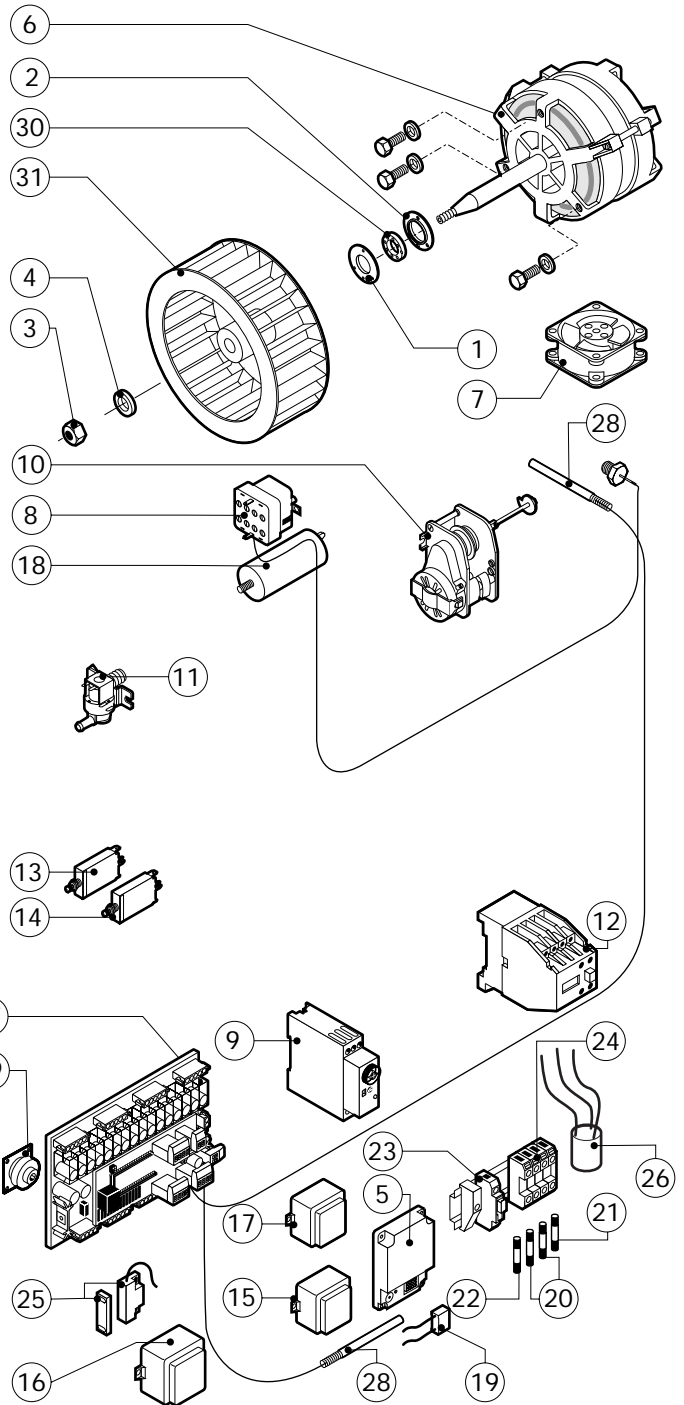
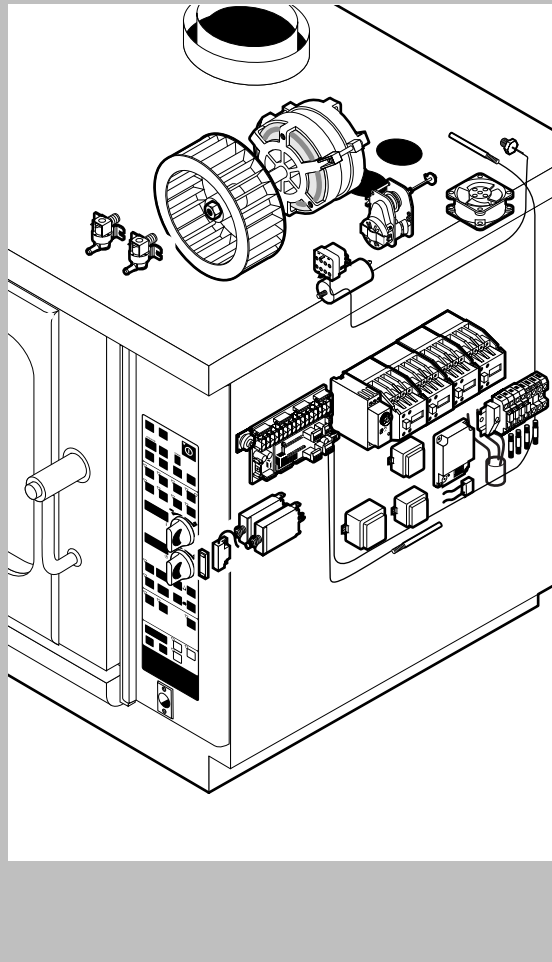


POS.	CODE	PIECES	DESCRIPTION
1	R09200230	1	DOOR HANDLE
2	R10100110	1	PRONG FLANGE
3	R10201190	1	LOWER DOOR HINGE
4	R10201290	1	UPPER DOOR HINGE
5	R10207600	1	DOOR
6	R10208290	1	FRONT LOWER DOOR PANEL CATCH
7	R10208300	1	FRONT UPPER DOOR PANEL CATCH
8	R10208310	1	FRONT DOOR PANEL
9	R10400150	1	LIGHT PROTECTION
10	R10401320	1	INNER DOOR PANEL
11	R10401710	1	WASHER FOR UPPER DOOR HINGE
12	R10456040	1	LOWER HINGE FOR FRONT DOOR PANEL
13	R10456050	1	UPPER HINGE FOR FRONT DOOR PANEL
14	R58002150	1	HINGE PIN
15	R58002160	1	DOOR HANDLE PRONG PIN
16	R58002760	1	DOOR HANDLE PRONG COUPLER
17	R58003240	1	DOOR HANDLE BUTTON ROD
18	R58004050	1	NUT FOR UPPER DOOR HINGE
19	R58004270	1	DOOR HANDLE SPACER

POS.	CODE	PIECES	DESCRIPTION
20	R58004830	1	RING NUT M18x1
21	R58005050	1	DOOR HANDLE PRONG
22	R58005340	1	DOOR HANDLE LOWER INSULATION WASHER
23	R58005350	1	DOOR HANDLE UPPER INSULATION WASHER
24	R61620012	1	DOOR HANDLE CATCH SPRING
25	R61620041	1	DOOR HANDLE BUTTON SPRING
26	R65270020	1	LIGHT 20W 12V G4
27	R65270400	1	LIGHT SOCKET
28	R69015000	1	DOOR HANDLE ASSEMBLY
29	R69031190	1	DOOR HANDLE PUSH BUTTON
30	R70040080	2	GLASS GASKET
31	R70040800	1	LIGHT PROTECTION GASKET
32	R70042010	1	DOOR GASKET
33	R71030060	1	DOOR GLASS



POS.	CODE	PIECES	DESCRIPTION
1	R58003860	1	MOTOR GASKET BRASS FLANGE
2	R58003870	1	MOTOR GASKET BRASS COUNTER FLANGE
3	R58004020	1	FAN SECURITY NUT M10 SX
4	R61400052	1	FAN WASHER Ø 21/10.5
5	R63060080	1	BURNER IGNITION PANEL WR 50A72-214
6	R65040430	1	MOTOR 0.37/0.05 KW KIT
7	R65060050	1	COMPONENTS VENTILATION MOTOR Ø 120
8	R65070070	1	CHAMBER SAFETY THERMOSTAT
9	R65090450	1	IGNITION DELAY TIMER
10	R65095000	1	DAMPER SYSTEM
11	R65110010	2	SOLENOID VALVE 220V 50HZ
12	R65140150	4	CONTACTOR 3TF4011-OAUO 240V
13	R65160300	1	THERMIC PROTECTION T12-2115-0.8A
14	R65160310	1	THERMIC PROTECTION T12-2115-2.5A
15	R65180410	1	TRANSFORMER 16VA
16	R65180420	1	TRANSFORMER 20VA
17	R65180650	1	TRANSFORMER 23VA
18	R65190180	1	CAPACITOR 10 µF
19	R65190200	1	INTERFERENCE SUPPRESSOR

POS.	CODE	PIECES	DESCRIPTION
20	R65200086	2	FUSE 0.125A (T)
21	R65200200	1	FUSE 2A
22	R65200320	1	FUSE 0.2A (T)
23	R65210020	4	FUSE CARRIER
24	R65220090	1	TERMINAL BOARD
25	R65265100	1	DOOR SWITCH
26	R65280200	1	INTERFERENCE SUPPRESSOR
27	R65300730	1	RELAYS P.C. BOARD
28	R65325000	2	PROBE PT100
29	R65330040	1	BUZZER
30	R70020040	1	MOTOR GASKET
31	R75400400	1	FAN Ø 220x78/12 50HZ P.D. KIT



