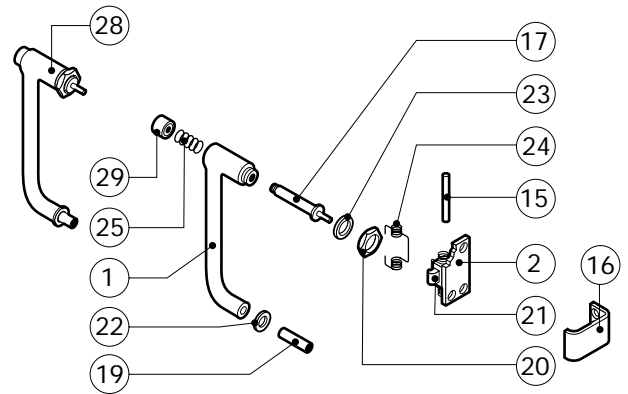
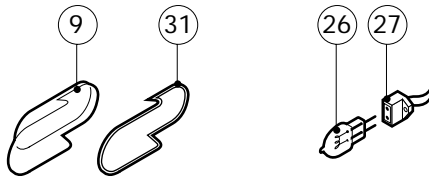
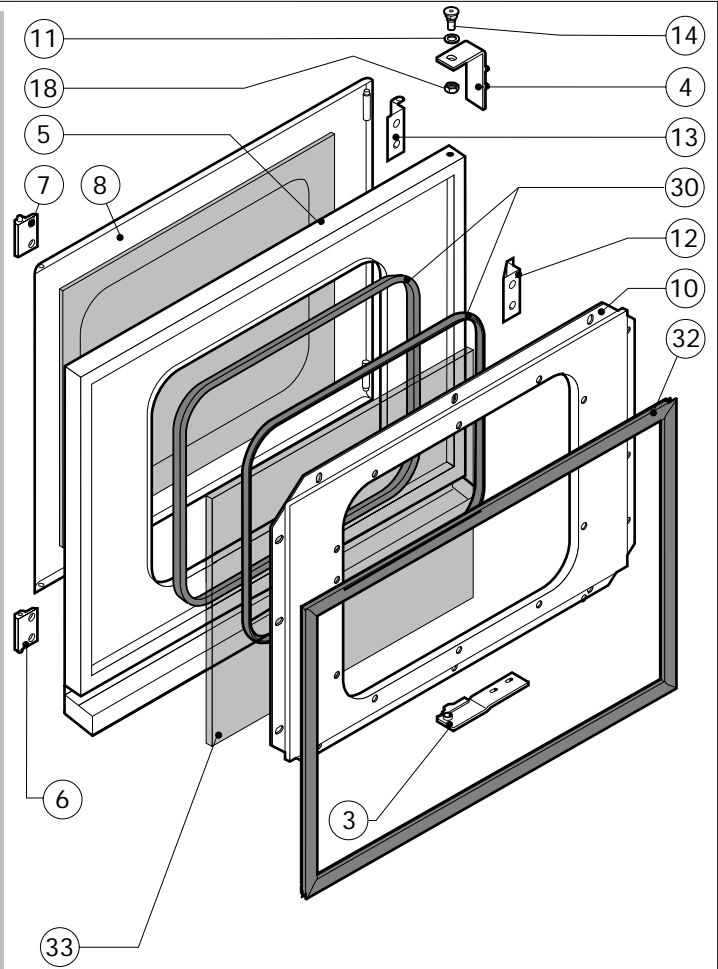
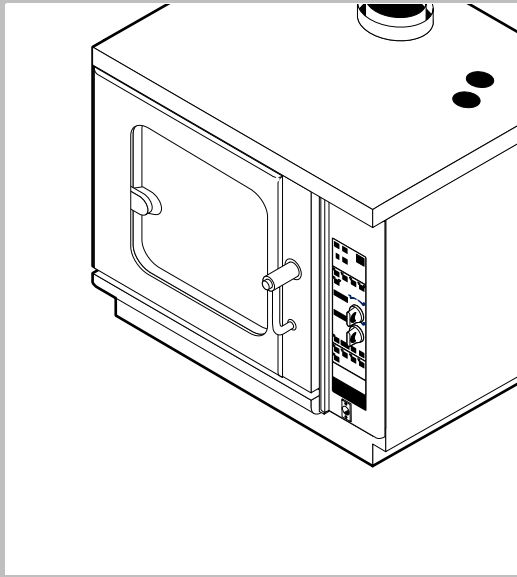


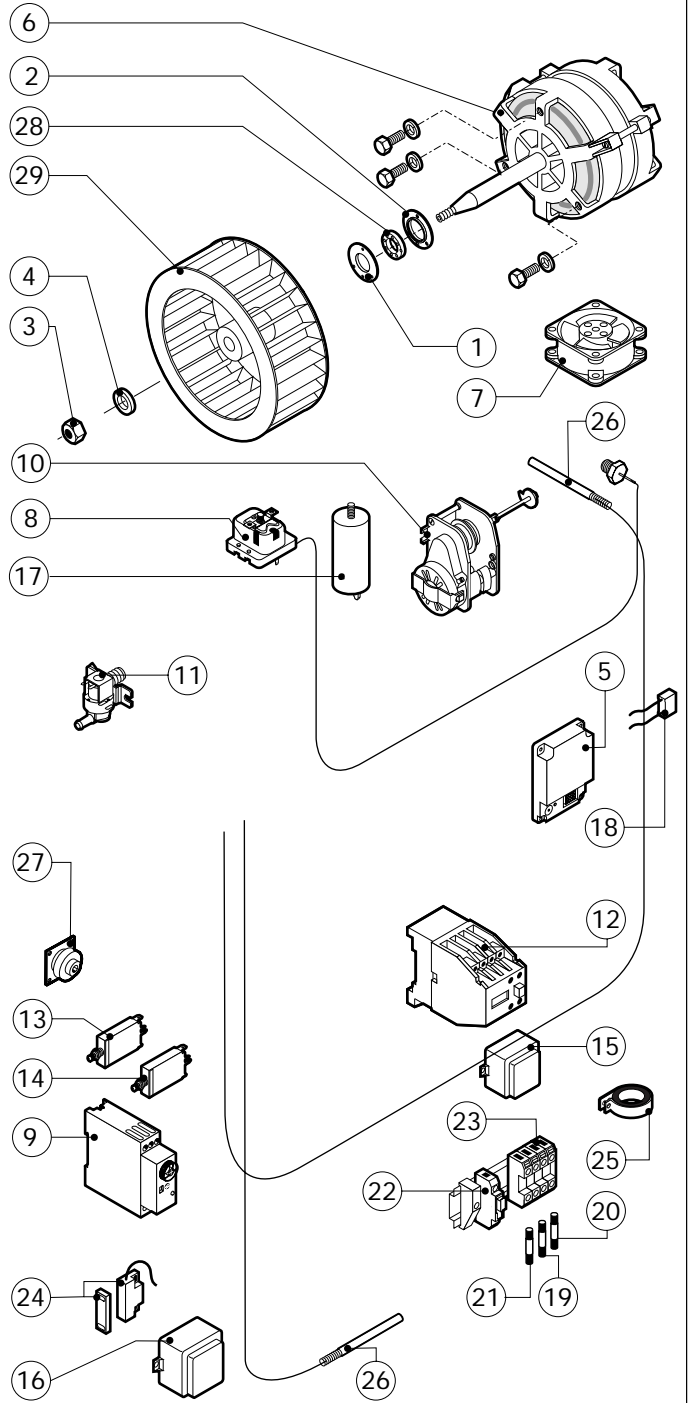
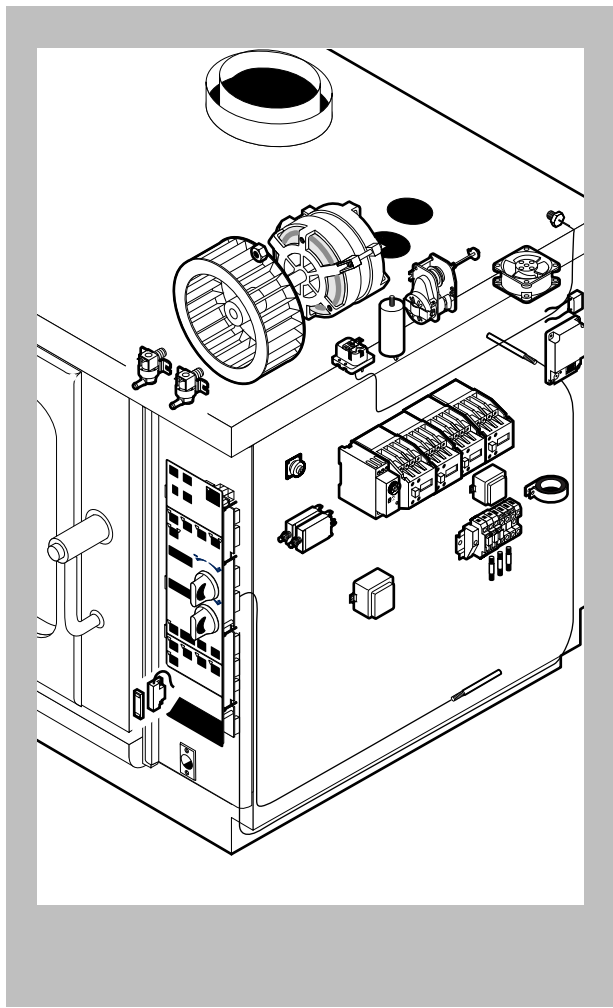
POS.	CODE	PIECES	DESCRIPTION
1	R10104210	1	DOOR ASSEMBLY
2	R10205130	1	CONTROL PANEL
3	R10206470	1	SPRITZER EXTENSION
4	R10206540	1	SPRITZER UNION
5	R10207251	1	FAN GUARD PANEL ASSEMBLY
6	R10207461	1	COOKING CABINET ASSEMBLY
7	R10212320	1	RIGHT SIDE PANEL
8	R10212330	1	LEFT SIDE PANEL
9	R10212340	1	REAR PANEL
10	R10212740	1	COVER PANEL
11	R58003100	2	FAN GUARD FASTENING SCREW
12	R70043250	1	FRONT GASKET
13	R75300020	1	FAN GUARD GRID Ø 120
14	R75300030	1	FAN GUARD GRID Ø 190

POS.	CODE	PIECES	DESCRIPTION



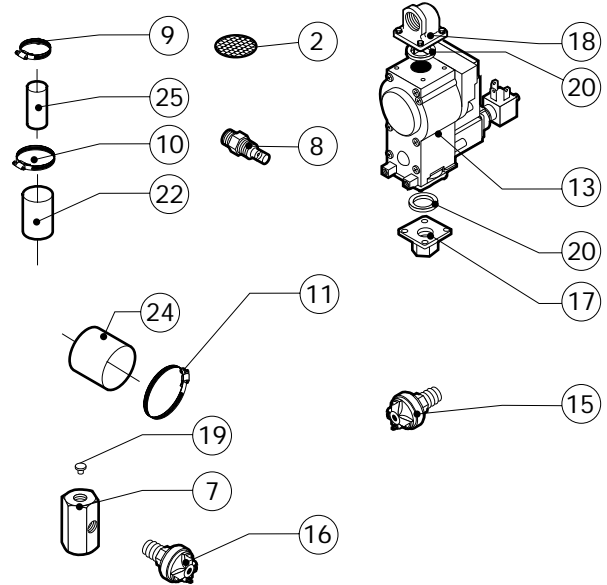
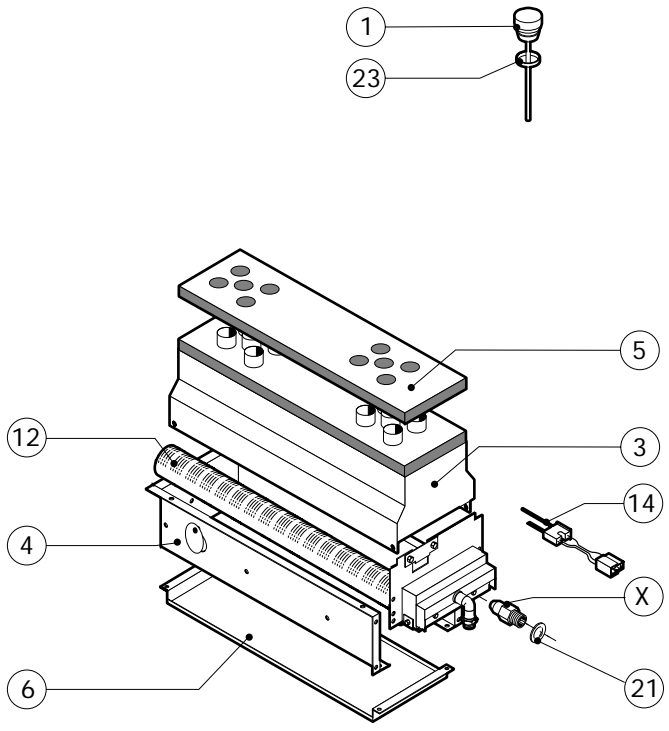
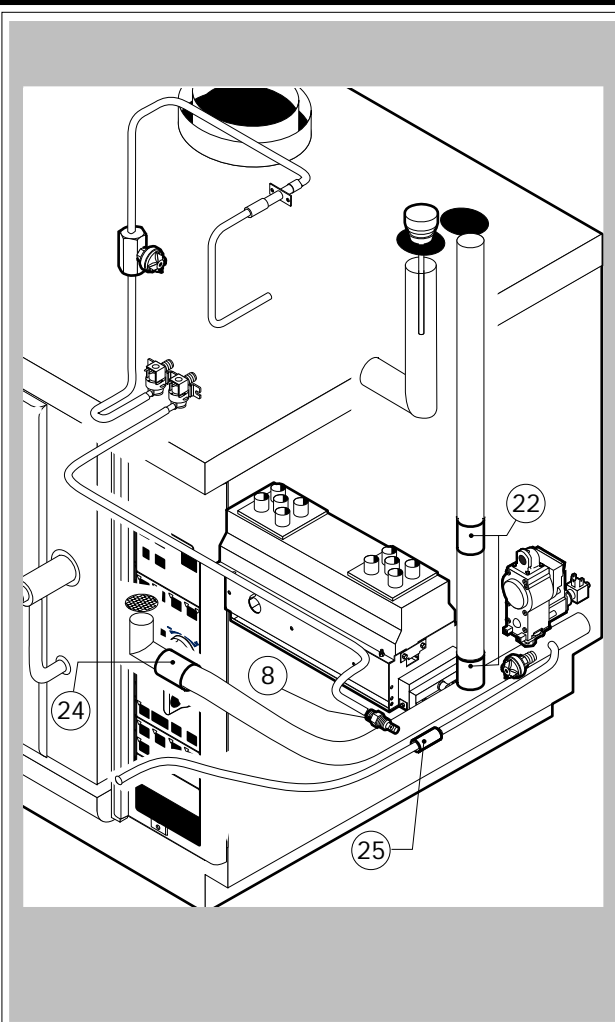
POS.	CODE	PIECES	DESCRIPTION
1	R09200230	1	DOOR HANDLE
2	R10100110	1	PRONG FLANGE
3	R10201190	1	LOWER DOOR HINGE
4	R10201290	1	UPPER DOOR HINGE
5	R10207600	1	DOOR
6	R10208290	1	FRONT LOWER DOOR PANEL CATCH
7	R10208300	1	FRONT UPPER DOOR PANEL CATCH
8	R10208310	1	FRONT DOOR PANEL
9	R10400150	1	LIGHT PROTECTION
10	R10401320	1	INNER DOOR PANEL
11	R10401710	1	WASHER FOR UPPER DOOR HINGE
12	R10456040	1	LOWER HINGE FOR FRONT DOOR PANEL
13	R10456050	1	UPPER HINGE FOR FRONT DOOR PANEL
14	R58002150	1	HINGE PIN
15	R58002160	1	DOOR HANDLE PRONG PIN
16	R58002760	1	DOOR HANDLE PRONG COUPLER
17	R58003240	1	DOOR HANDLE BUTTON ROD
18	R58004050	1	NUT FOR UPPER DOOR HINGE
19	R58004270	1	DOOR HANDLE SPACER

POS.	CODE	PIECES	DESCRIPTION
20	R58004830	1	RING NUT M18x1
21	R58005050	1	DOOR HANDLE PRONG
22	R58005340	1	DOOR HANDLE LOWER INSULATION WASHER
23	R58005350	1	DOOR HANDLE UPPER INSULATION WASHER
24	R61620012	1	DOOR HANDLE CATCH SPRING
25	R61620041	1	DOOR HANDLE BUTTON SPRING
26	R65270020	1	LIGHT 20W 12V G4
27	R65270400	1	LIGHT SOCKET
28	R69015000	1	DOOR HANDLE ASSEMBLY
29	R69031190	1	DOOR HANDLE PUSH BUTTON
30	R70040080	2	GLASS GASKET
31	R70040800	1	LIGHT PROTECTION GASKET
32	R70042010	1	DOOR GASKET
33	R71030060	1	DOOR GLASS



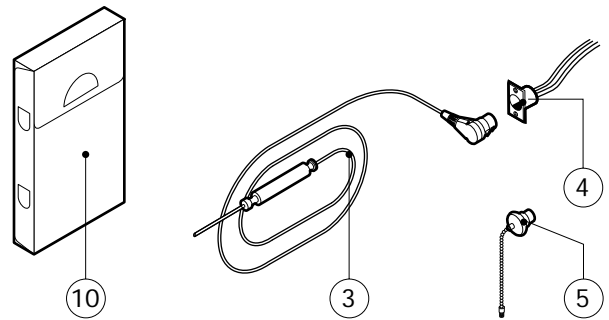
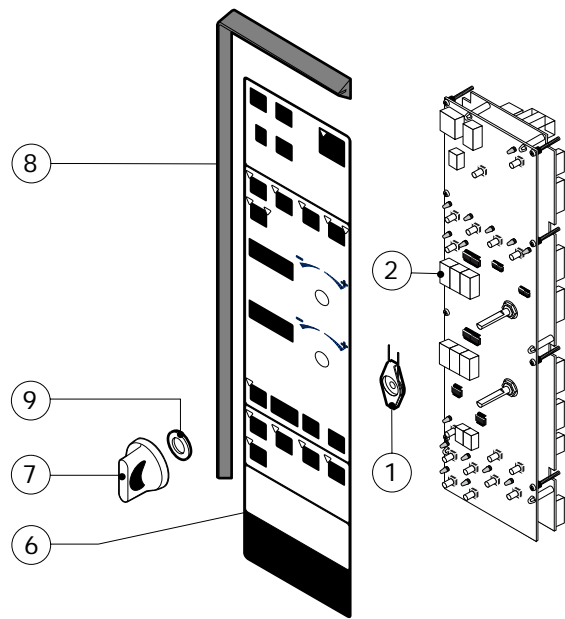
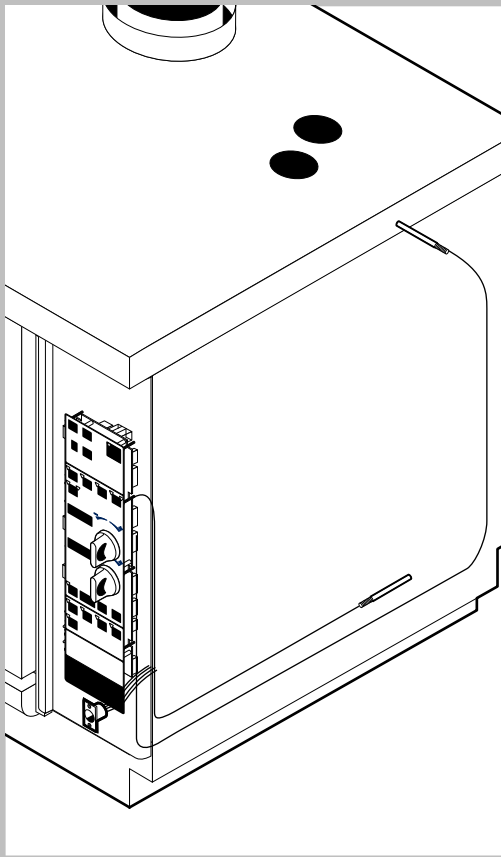
POS.	CODE	PIECES	DESCRIPTION
1	R58003860	1	MOTOR GASKET BRASS FLANGE
2	R58003870	1	MOTOR GASKET BRASS COUNTER FLANGE
3	R58004020	1	FAN SECURITY NUT M10 SX
4	R61400052	1	FAN WASHER Ø 21/10.5
5	R63060080	1	BURNER IGNITION PANEL WR 50A72-214
6	R65040430	1	MOTOR 0.37/0.05 KW KIT
7	R65060050	1	COMPONENTS VENTILATION MOTOR Ø 120
8	R65070070	1	CHAMBER SAFETY THERMOSTAT
9	R65090450	1	IGNITION DELAY TIMER
10	R65095000	1	DAMPER SYSTEM
11	R65110010	2	SOLENOID VALVE 220V 50HZ
12	R65140150	4	CONTACTOR 3TF4011-OAUO 240V
13	R65160300	1	THERMIC PROTECTION T12-2115-0.8A
14	R65160310	1	THERMIC PROTECTION T12-2115-2.5A
15	R65180420	1	TRANSFORMER 20VA
16	R65180650	1	TRANSFORMER 23VA
17	R65190180	1	CAPACITOR 10 µF
18	R65190200	1	INTERFERENCE SUPPRESSOR
19	R65200086	1	FUSE 0.125A (T)

POS.	CODE	PIECES	DESCRIPTION
20	R65200200	1	FUSE 2A
21	R65200320	1	FUSE 0.2A (T)
22	R65210020	3	FUSE CARRIER
23	R65220090	1	TERMINAL BOARD
24	R65265100	1	DOOR SWITCH
25	R65280460	1	FERRITE
26	R65325000	2	PROBE PT100
27	R65330040	1	BUZZER
28	R70020040	1	MOTOR GASKET
29	R75400400	1	FAN Ø 220x78/12 50HZ P.D. KIT



POS.	CODE	PIECES	DESCRIPTION
1	R10100140	1	DAMPER SYSTEM CAP
2	R10201700	1	DRAIN FILTER
3	R10202400	1	COMBUSTION CABINET
4	R10202500	1	CABINET BURNERS SUPPORT
5	R10402390	1	COMBUSTION CABINET INSULATION PLATE
6	R10403790	1	CHAMBER BURNERS PROTECTION PLATE
7	R58003390	1	PRESSURE SWITCH BRASS PIPE FITTING
8	R58006090	1	STEAM QUENCHING NOZZLE Ø 1
9	R61630011	6	METAL CLAMPS 12-22/9
10	R61630021	2	METAL CLAMPS 30-45/9
11	R61630031	2	METAL CLAMPS 40-60/9
12	R63016050	1	CHAMBER BURNER ASSEMBLY
13	R63020010	1	GAS SOLENOID VALVE VR4605
14	R63050040	1	IGNITOR/SENSOR WR 768G213
15	R63070010	1	GAS SAFETY PRESSURE SWITCH PG 901.61
16	R63070050	1	WATER SAFETY PRESSURE SWITCH 1/8" 0.5-0.35 BAR
17	R63080010	1	STRAIGHT FLANGE 1/2"
18	R63080020	1	CURVED FLANGE 1/2"
19	R65110420	1	FLOW REDUCER

POS.	CODE	PIECES	DESCRIPTION
20	R70010070	2	RING
21	R70030090	2	NOZZLE GASKET
22	R70060010	2	SILICON COUPLING Ø 30
23	R70060020	1	DAMPER SYSTEM CAP GASKET
24	R70060040	1	SILICON COUPLING Ø 50
25	R70060080	1	SILICON COUPLING Ø 13
X		2	NOZZLE (See service manual)



POS.	CODE	PIECES	DESCRIPTION
1	R10205120	2	KNOB SPRING
2	R65300820	1	CONTROL PANEL P.C. BOARD
3	R65320900	1	CORE TEMPERATURE PROBE
4	R65320920	1	CORE TEMPERATURE PROBE FEMALE CONNECTOR
5	R65321020	1	COVER FOR FEMALE CONNECTOR
6	R67010940	1	LAINOX PLATE
7	R69030150	2	KNOB KIT
8	R70040830	1	CONTROL PANEL GASKET
9	R70050020	4	KNOB GASKET
10	R86020420	1	CORE TEMPERATURE PROBE BOX

POS.	CODE	PIECES	DESCRIPTION