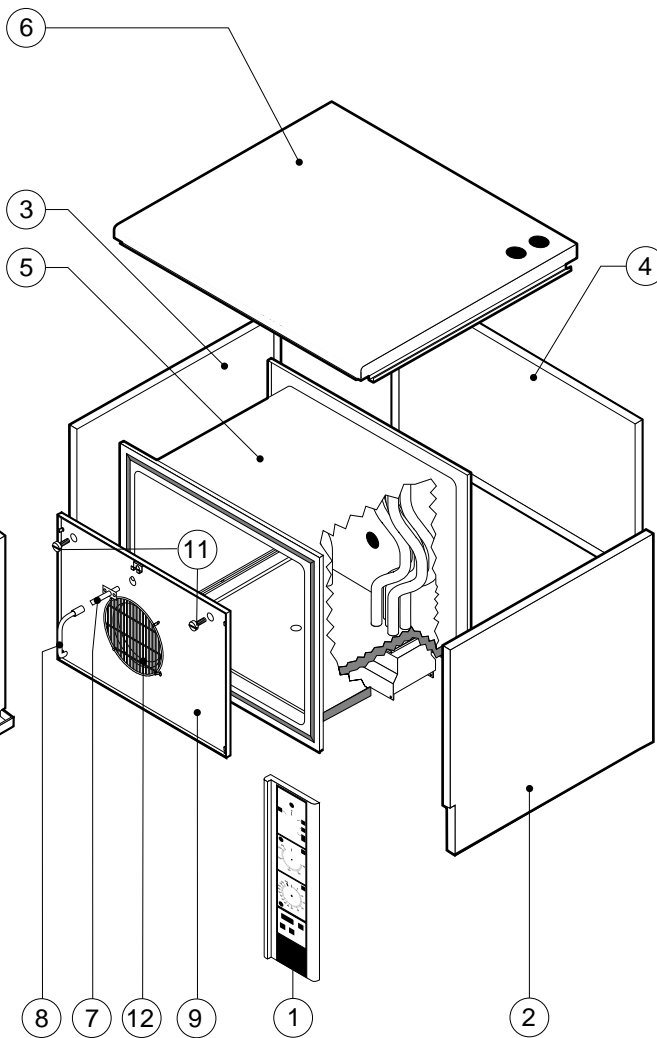
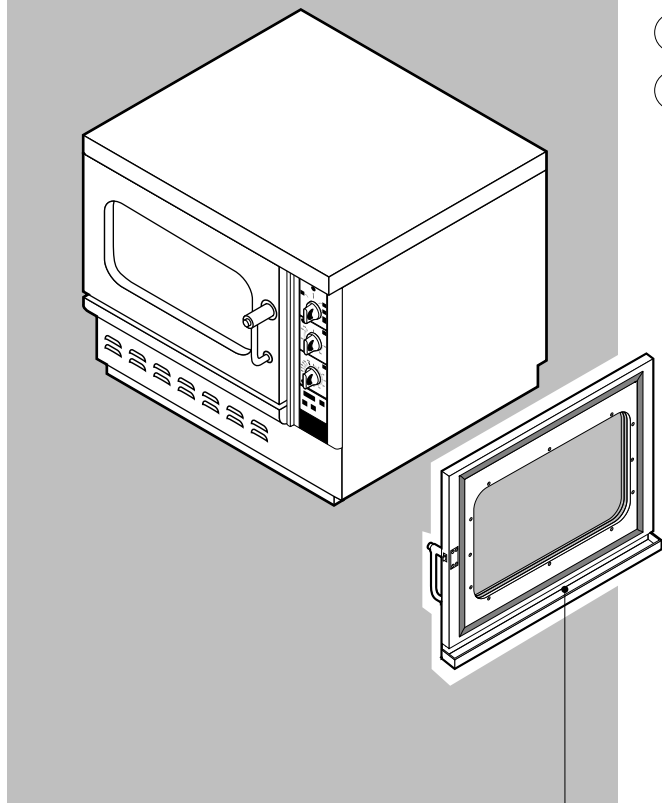
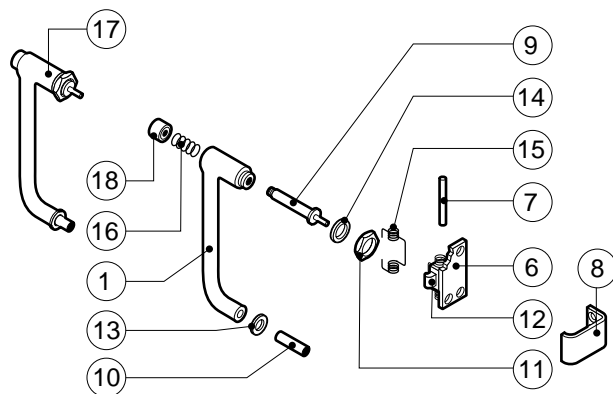
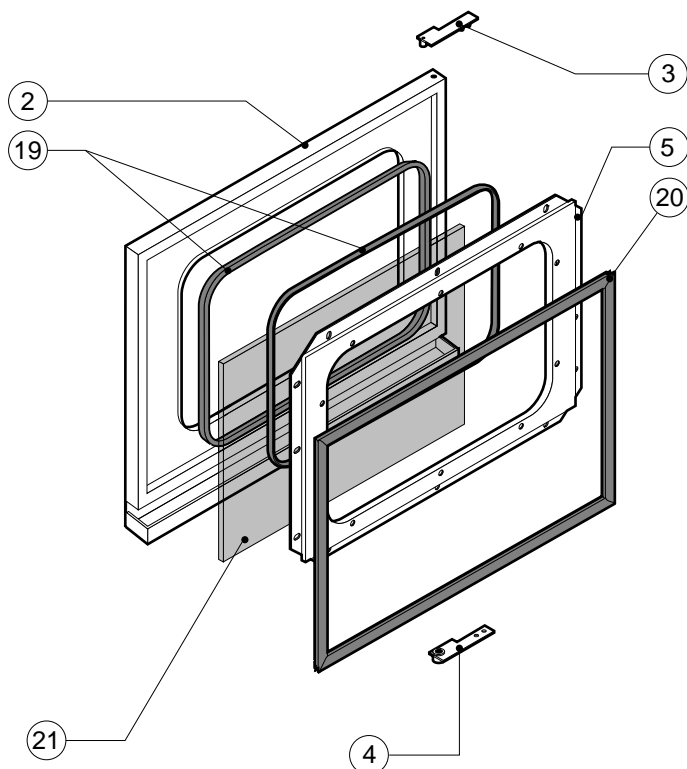
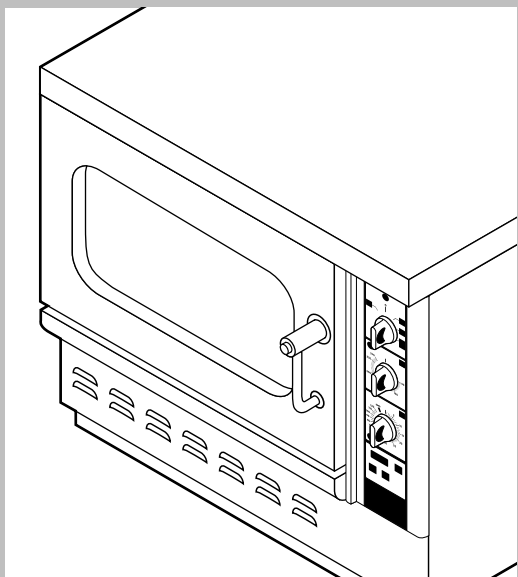


016-40.004.2251 210797 DONADINI & C



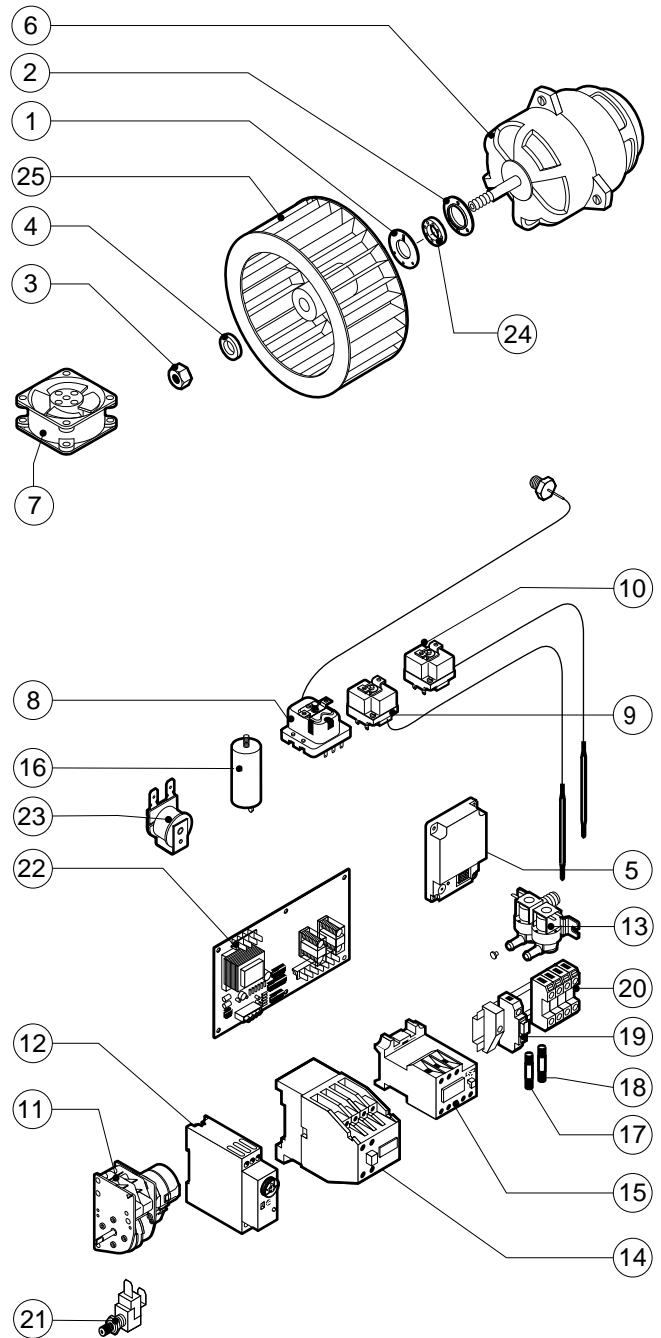
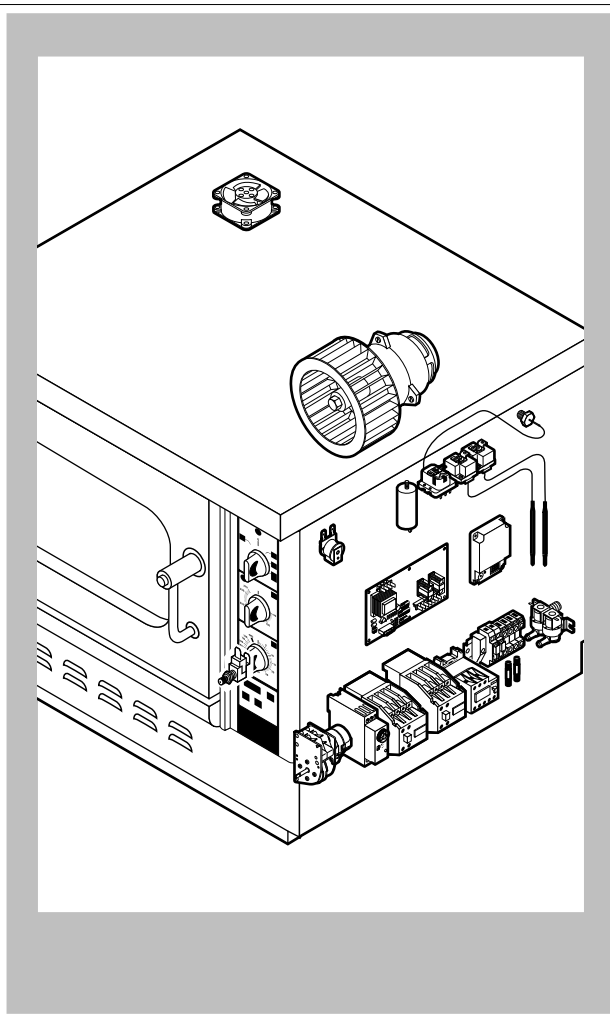
POS.	CODE	PIECES	DESCRIPTION
1	R09100560	1	CONTROL PANEL WITH PLATE
2	R09201740	1	RIGHT SIDE PANEL
3	R09201750	1	LEFT SIDE PANEL
4	R09201790	1	REAR PANEL
5	R09203430	1	COOKING CABINET ASSEMBLY
6	R09203550	1	COVER PANEL
7	R09203580	1	HUMIDIFIER PIPE
8	R09203590	1	HUMIDIFIER PIPE EXTENSION
9	R09203620	1	FAN GUARD PANEL ASSEMBLY
10	R10100400	1	DOOR ASSEMBLY
11	R58006400	2	FAN GUARD FASTENING SCREW
12	R75300030	1	FAN GUARD GRID Ø 190

POS.	CODE	PIECES	DESCRIPTION



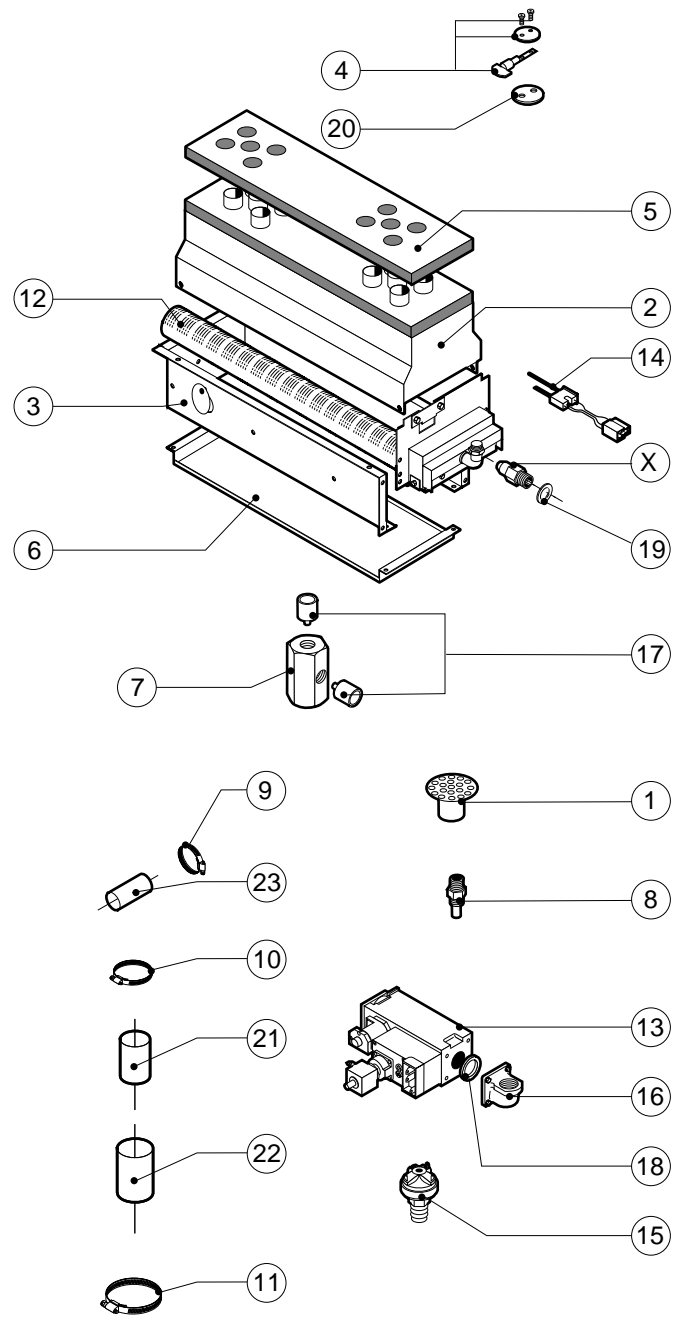
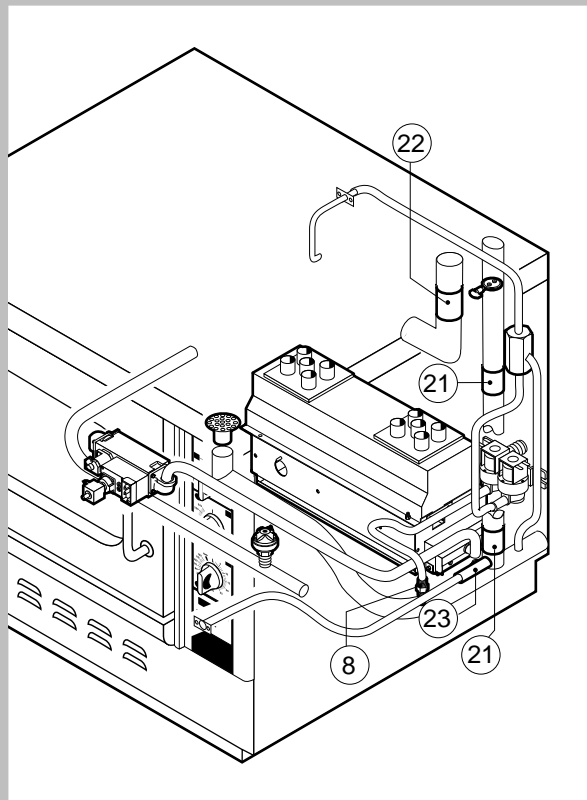
POS.	CODE	PIECES	DESCRIPTION
1	R09200230	1	DOOR HANDLE
2	R09201440	1	DOOR
3	R09201630	1	UPPER DOOR HINGE
4	R09201640	1	LOWER DOOR HINGE
5	R09404230	1	INNER DOOR PANEL
6	R10100100	1	PRONG FLANGE
7	R58002160	1	DOOR HANDLE PRONG PIN
8	R58002760	1	DOOR HANDLE PRONG COUPLER
9	R58003240	1	DOOR HANDLE BUTTON ROD
10	R58004270	1	DOOR HANDLE SPACER
11	R58004830	1	RING NUT M18x1
12	R58005050	1	DOOR HANDLE PRONG
13	R58005340	1	DOOR HANDLE LOWER INSULATION WASHER
14	R58005350	1	DOOR HANDLE UPPER INSULATION WASHER
15	R61620012	1	DOOR HANDLE CATCH SPRING
16	R61620041	1	DOOR HANDLE BUTTON SPRING
17	R69015000	1	DOOR HANDLE ASSEMBLY
18	R69031190	1	DOOR HANDLE PUSH BUTTON
19	R70040010	2	GLASS GASKET

POS.	CODE	PIECES	DESCRIPTION
20	R70042000	1	DOOR GASKET
21	R71030010	1	DOOR GLASS



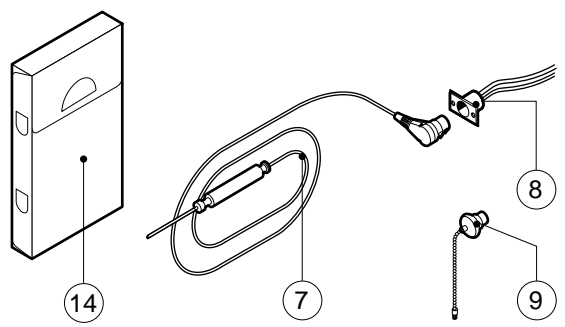
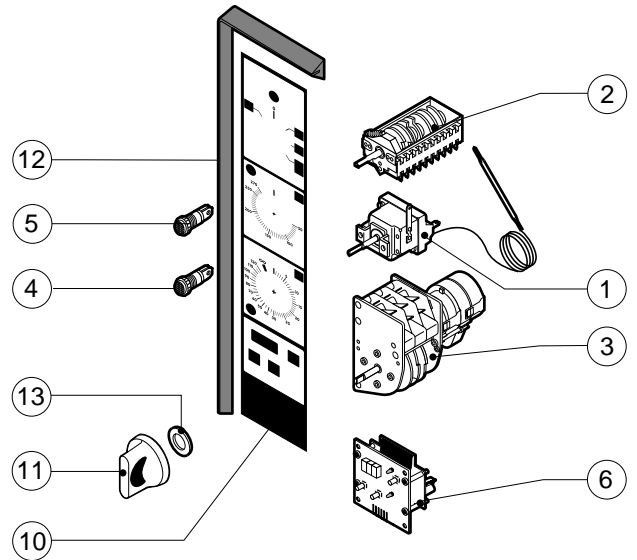
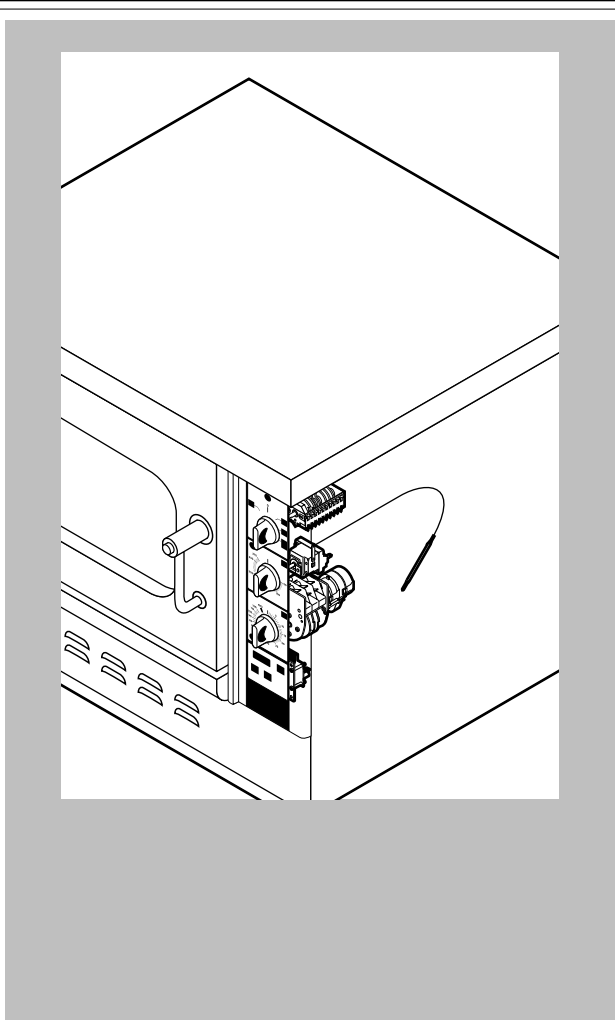
POS.	CODE	PIECES	DESCRIPTION
1	R58003860	1	MOTOR GASKET BRASS FLANGE
2	R58003870	1	MOTOR GASKET BRASS COUNTER FLANGE
3	R58004020	1	FAN SECURITY NUT M10 SX
4	R61400052	1	FAN WASHER Ø 21/10.5
5	R63060080	1	BURNER IGNITION PANEL WR 50A72-214
6	R65040071	1	MOTOR HP 0.15 KIT
7	R65060010	1	COMPONENTS VENTILATION MOTOR Ø 80
8	R65070070	1	CHAMBER SAFETY THERMOSTAT
9	R65070165	1	THERMOSTAT 65°C
10	R65070240	1	THERMOSTAT 70°C
11	R65090190	1	REVERSING SWITCH 8'
12	R65090450	1	IGNITION DELAY TIMER
13	R65115000	1	SOLENOID VALVE 220V 50HZ WITH FLOW REDUCER
14	R65140150	2	CONTACTOR 3TF4011-OAUO 240V
15	R65160100	1	THERMIC PROTECTION 3UA7010-0J 0.63-1A
16	R65190080	1	CAPACITOR 4 µF
17	R65200120	1	FUSE 0.1A (T)
18	R65200200	1	FUSE 2A
19	R65210020	2	FUSE CARRIER

POS.	CODE	PIECES	DESCRIPTION
20	R65220090	1	TERMINAL BOARD
21	R65260530	1	DOOR SWITCH
22	R65300550	1	RELAYS P.C. BOARD
23	R65330010	1	BUZZER
24	R70020040	1	MOTOR GASKET
25	R75400080	1	FAN Ø 160x70/16 50HZ P.D. KIT



POS.	CODE	PIECES	DESCRIPTION
1	R09201820	1	DRAIN FILTER
2	R09201990	1	COMBUSTION CABINET
3	R09202010	1	CABINET BURNERS SUPPORT
4	R09202110	1	STEAM OUTLET THROTTLE HANDLE
5	R09405920	1	COMBUSTION CABINET INSULATION PLATE
6	R09406260	1	CHAMBER BURNERS PROTECTION PLATE
7	R58003390	1	PRESSURE SWITCH BRASS PIPE FITTING
8	R58006090	1	STEAM QUENCHING NOZZLE Ø 1
9	R61630011	6	METAL CLAMPS 12-22/9
10	R61630021	2	METAL CLAMPS 30-45/9
11	R61630041	2	METAL CLAMPS 70-90/9
12	R63016030	1	CHAMBER BURNER ASSEMBLY
13	R63020010	1	GAS SOLENOID VALVE VR4605
14	R63050040	1	IGNITOR/SENSOR WR 768G213
15	R63070010	1	GAS SAFETY PRESSURE SWITCH PG 901.61
16	R63080020	2	CURVED FLANGE 1/2"
17	R65110410	2	WATER FLOW-REDUCER
18	R70010070	2	RING
19	R70030090	2	NOZZLE GASKET

POS.	CODE	PIECES	DESCRIPTION
20	R70050060	1	STEAM OUTLET GASKET
21	R70060010	2	SILICON COUPLING Ø 30
22	R70060030	1	SILICON COUPLING Ø 40
23	R70060060	1	SILICON COUPLING Ø 15
X		2	NOZZLE (See service manual)



POS.	CODE	PIECES	DESCRIPTION
1	R65070210	1	CABINET THERMOSTAT 50/270°C
2	R65080020	1	MAIN SELECTOR SWITCH
3	R65090200	1	TIMER
4	R65270220	2	ORANGE INDICATING LIGHT
5	R65270230	1	GREEN INDICATING LIGHT
6	R65300580	1	CONTROL PANEL P.C. BOARD
7	R65320900	1	CORE TEMPERATURE PROBE
8	R65320920	1	CORE TEMPERATURE PROBE FEMALE CONNECTOR
9	R65321020	1	COVER FOR FEMALE CONNECTOR
10	R67010500	1	LAINOX PLATE
11	R69030150	3	KNOB KIT
12	R70040820	1	CONTROL PANEL GASKET
13	R70050020	6	KNOB GASKET
14	R86020420	1	CORE TEMPERATURE PROBE BOX

POS.	CODE	PIECES	DESCRIPTION