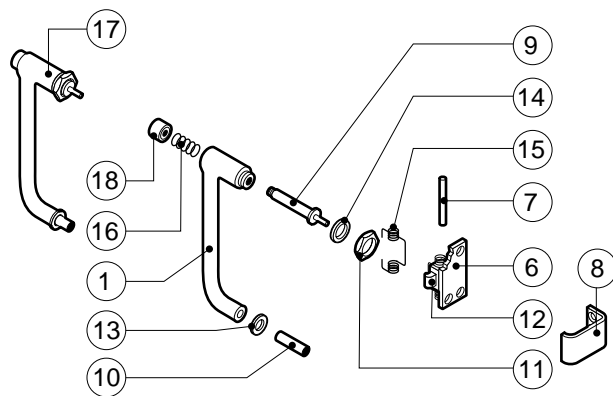
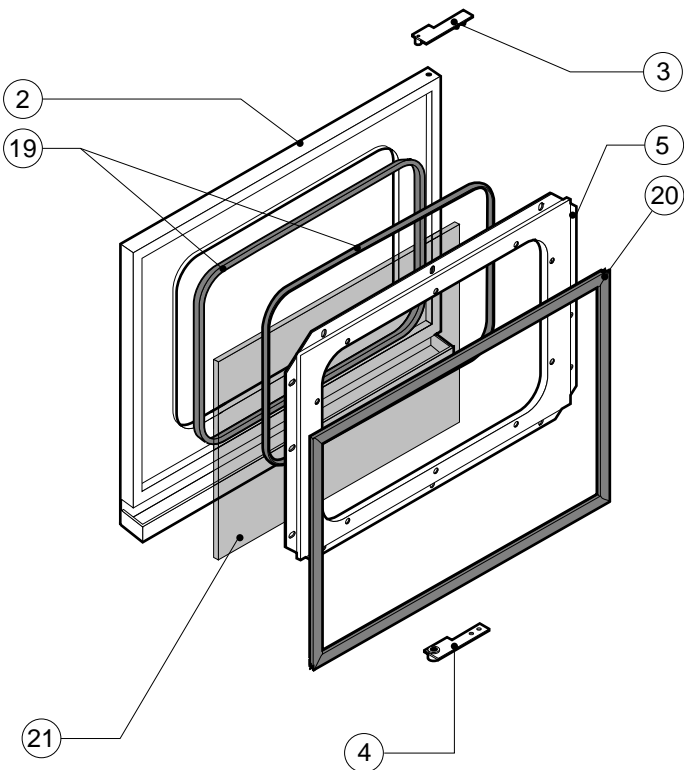
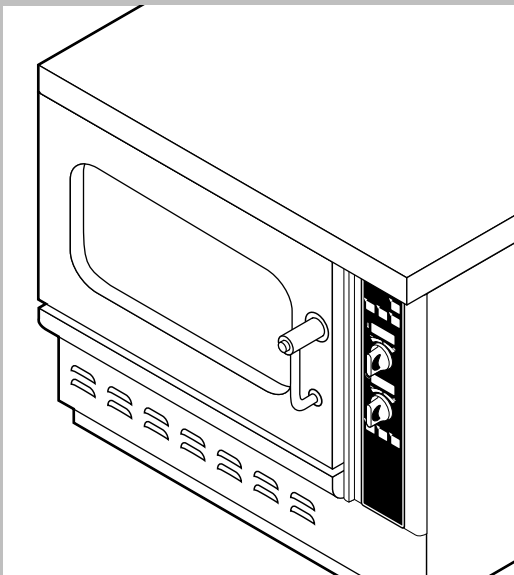


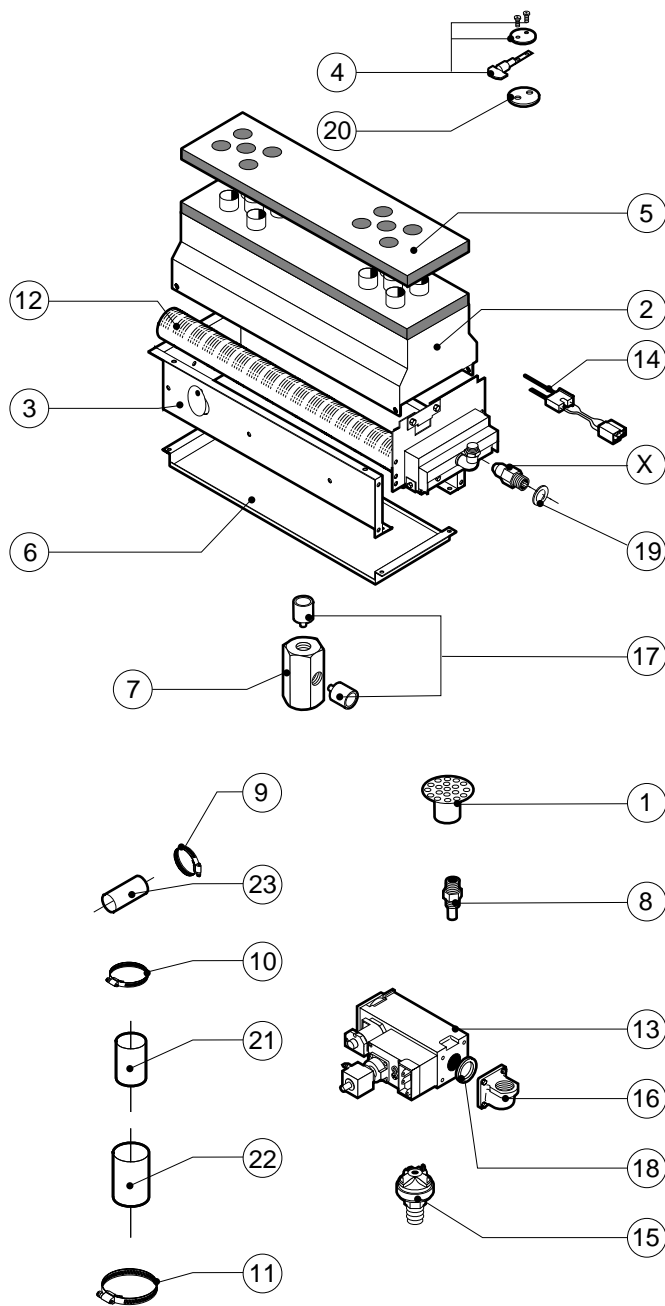
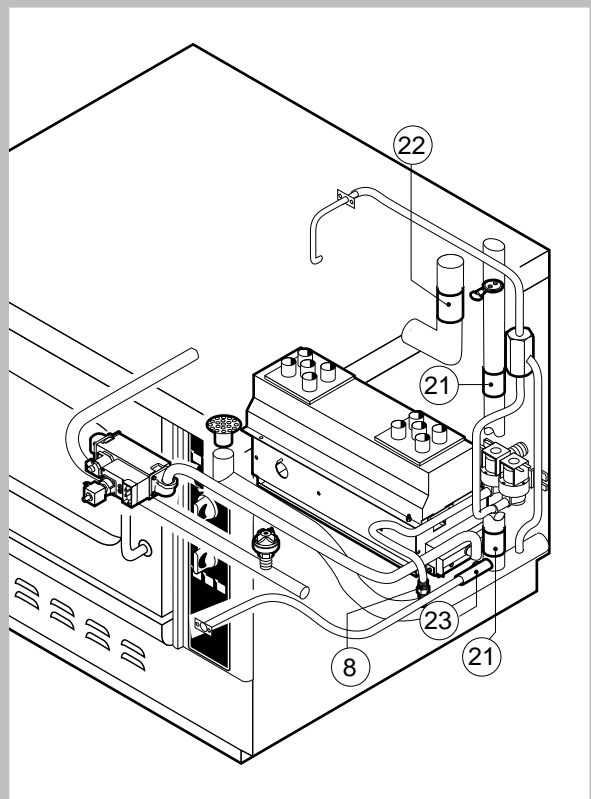
POS.	CODE	PIECES	DESCRIPTION
1	R09100610	1	CONTROL PANEL WITH PLATE
2	R09201740	1	RIGHT SIDE PANEL
3	R09201750	1	LEFT SIDE PANEL
4	R09201790	1	REAR PANEL
5	R09203430	1	COOKING CABINET ASSEMBLY
6	R09203550	1	COVER PANEL
7	R09203580	1	HUMIDIFIER PIPE
8	R09203590	1	HUMIDIFIER PIPE EXTENSION
9	R09203620	1	FAN GUARD PANEL ASSEMBLY
10	R10100400	1	DOOR ASSEMBLY
11	R58006400	2	FAN GUARD FASTENING SCREW
12	R75300030	1	FAN GUARD GRID Ø 190

POS.	CODE	PIECES	DESCRIPTION



POS.	CODE	PIECES	DESCRIPTION
1	R09200230	1	DOOR HANDLE
2	R09201440	1	DOOR
3	R09201630	1	UPPER DOOR HINGE
4	R09201640	1	LOWER DOOR HINGE
5	R09404230	1	INNER DOOR PANEL
6	R10100100	1	PRONG FLANGE
7	R58002160	1	DOOR HANDLE PRONG PIN
8	R58002760	1	DOOR HANDLE PRONG COUPLER
9	R58003240	1	DOOR HANDLE BUTTON ROD
10	R58004270	1	DOOR HANDLE SPACER
11	R58004830	1	RING NUT M18x1
12	R58005050	1	DOOR HANDLE PRONG
13	R58005340	1	DOOR HANDLE LOWER INSULATION WASHER
14	R58005350	1	DOOR HANDLE UPPER INSULATION WASHER
15	R61620012	1	DOOR HANDLE CATCH SPRING
16	R61620041	1	DOOR HANDLE BUTTON SPRING
17	R69015000	1	DOOR HANDLE ASSEMBLY
18	R69031190	1	DOOR HANDLE PUSH BUTTON
19	R70040010	2	GLASS GASKET

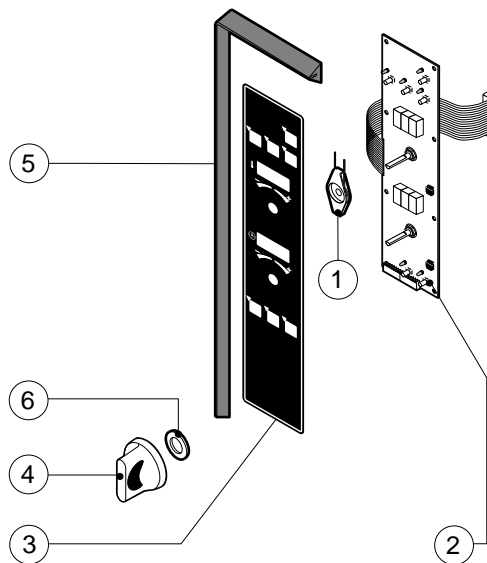
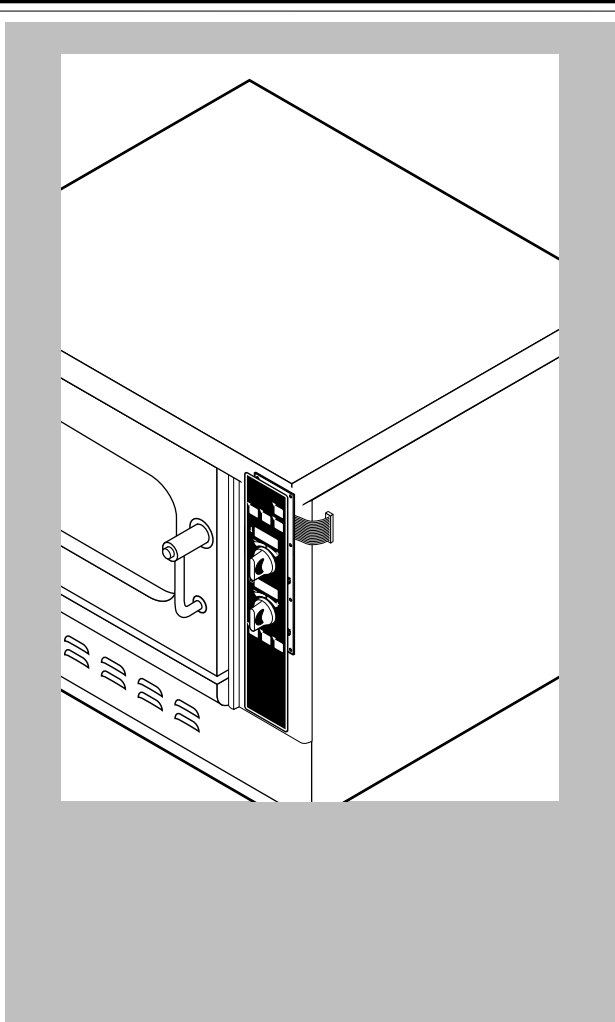
POS.	CODE	PIECES	DESCRIPTION
20	R70042000	1	DOOR GASKET
21	R71030010	1	DOOR GLASS



POS.	CODE	PIECES	DESCRIPTION
1	R09201820	1	DRAIN FILTER
2	R09201990	1	COMBUSTION CABINET
3	R09202010	1	CABINET BURNERS SUPPORT
4	R09202110	1	STEAM OUTLET THROTTLE HANDLE
5	R09405920	1	COMBUSTION CABINET INSULATION PLATE
6	R09406260	1	CHAMBER BURNERS PROTECTION PLATE
7	R58003390	1	PRESSURE SWITCH BRASS PIPE FITTING
8	R58006090	1	STEAM QUENCHING NOZZLE Ø 1
9	R61630011	6	METAL CLAMPS 12-22/9
10	R61630021	2	METAL CLAMPS 30-45/9
11	R61630041	2	METAL CLAMPS 70-90/9
12	R63016030	1	CHAMBER BURNER ASSEMBLY
13	R63020010	1	GAS SOLENOID VALVE VR4605
14	R63050040	1	IGNITOR/SENSOR WR 768G213
15	R63070010	1	GAS SAFETY PRESSURE SWITCH PG 901.61
16	R63080020	2	CURVED FLANGE 1/2"
17	R65110410	2	WATER FLOW-REDUCER
18	R70010070	2	RING
19	R70030090	2	NOZZLE GASKET

POS.	CODE	PIECES	DESCRIPTION
20	R70050060	1	STEAM OUTLET GASKET
21	R70060010	2	SILICON COUPLING Ø 30
22	R70060030	1	SILICON COUPLING Ø 40
23	R70060060	1	SILICON COUPLING Ø 15
X		2	NOZZLE (See service manual)

016 40 004 2330 180797 DONADINI & C



POS.	CODE	PIECES	DESCRIPTION
1	R10205120	2	KNOB SPRING
2	R65300840	1	CONTROL PANEL P.C. BOARD
3	R67010860	1	LAINOX PLATE
4	R69030150	2	KNOB KIT
5	R70040820	1	CONTROL PANEL GASKET
6	R70050020	4	KNOB GASKET

POS.	CODE	PIECES	DESCRIPTION