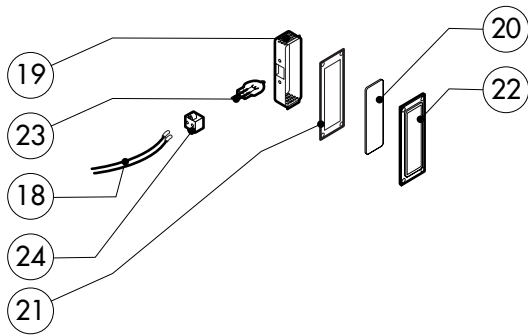
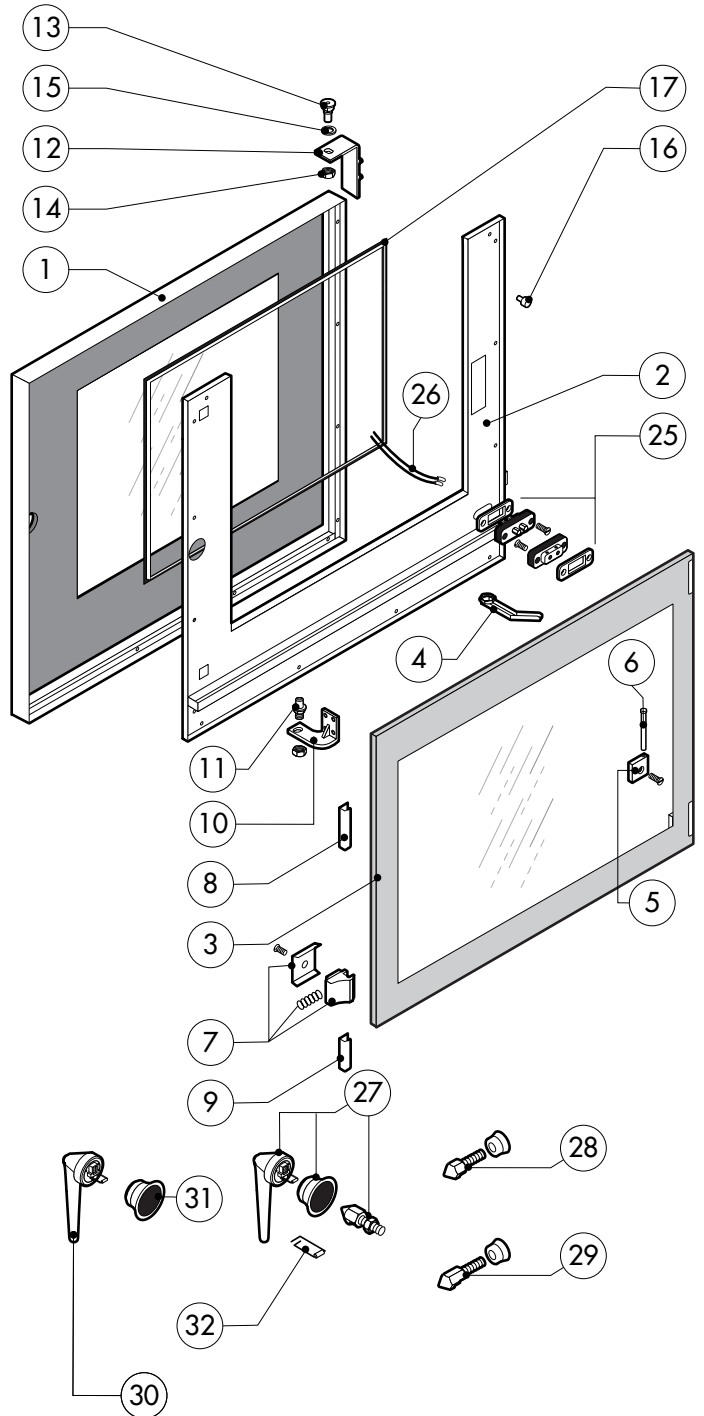
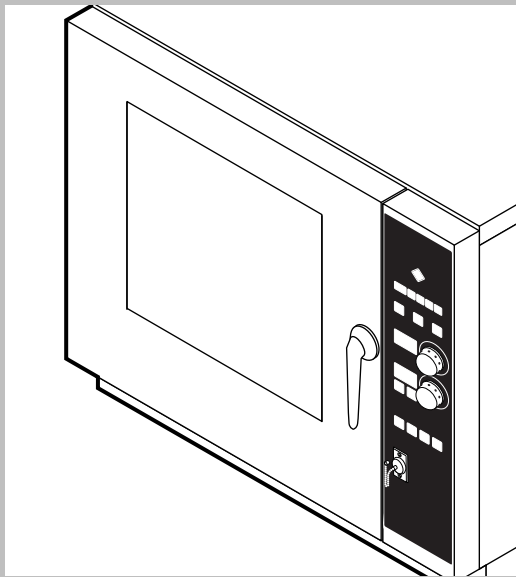


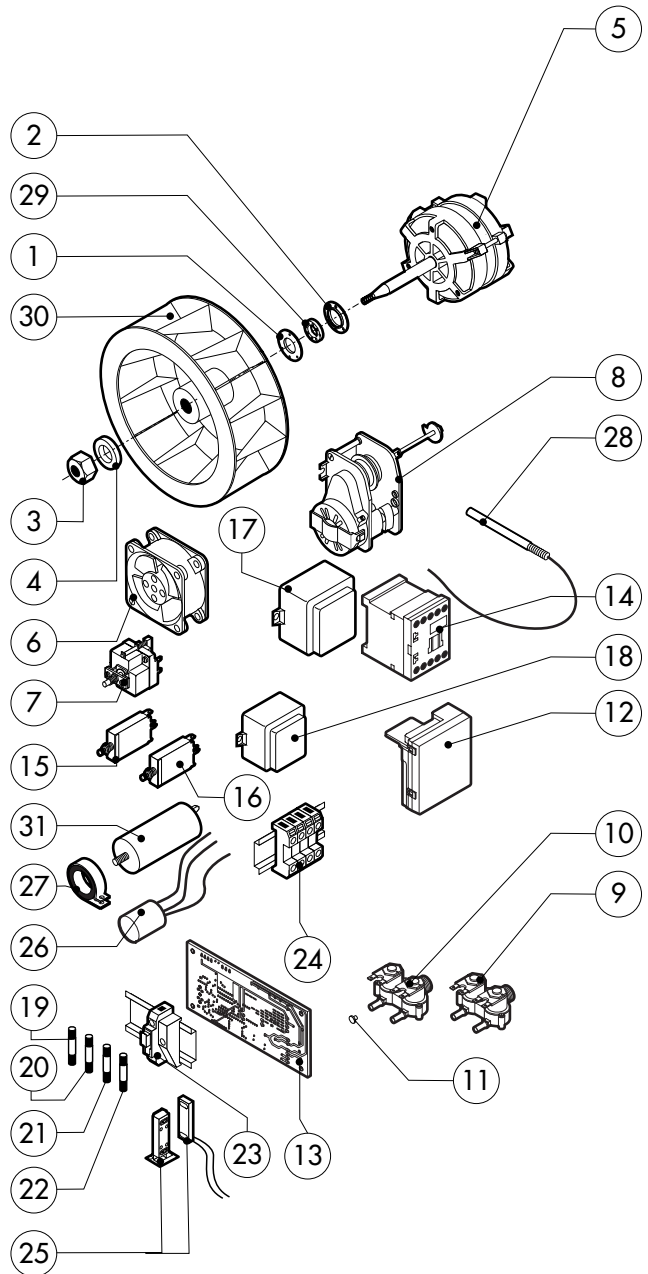
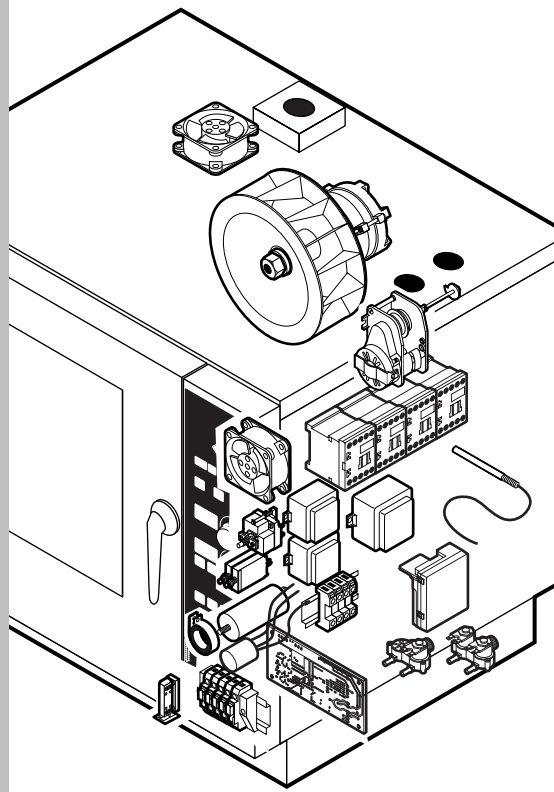
POS.	CODE	PIECES	DESCRIPTION
1	R11101050	1	DOOR ASSEMBLY UNTIL CRXXXXX0
	R11101150	1	DOOR ASSEMBLY FROM CRXXXXX1
2	R11206900	1	CONTROL PANEL UNTIL CRXXXXX0
	R11200730	1	CONTROL PANEL FROM CRXXXXX1
3	R11200650	1	SPRITZER EXTENSION
4	R11200380	1	SPRITZER UNION
5	R11207020	1	COOKING CABINET ASSEMBLY
6	R11200350	1	FAN GUARD PANEL ASSEMBLY
7	R11414090	1	RIGHT SIDE PANEL UNTIL CRXXXXX0
	R11200710	1	RIGHT SIDE PANEL FROM CRXXXXX1
8	R11414100	1	LEFT SIDE PANEL UNTIL CRXXXXX0
	R11200750	1	LEFT SIDE PANEL FROM CRXXXXX1
9	R11414110	1	REAR PANEL UNTIL CRXXXXX0
	R11401970	1	REAR PANEL FROM CRXXXXX1
10	R11207100	1	COVER PANEL UNTIL CRXXXXX0
	R11201060	1	COVER PANEL FROM CRXXXXX1
11	R11402980	1	DRAINAGE PIPE PROTECTION
12	R58003100	2	FAN GUARD FASTENING SCREW
13	R70044100	1	FRONT GASKET

POS.	CODE	PIECES	DESCRIPTION
14	R75300030	1	FAN GUARD GRID Ø 190
15	R11200440	1	REMOVABLE RACK DX
16	R11200450	1	REMOVABLE RACK SX



POS.	CODE	PIECES	DESCRIPTION
1	R11101350	1	DOOR UNTIL CRXXXXXX0
	R11101430	1	DOOR FROM CRXXXXXX1
2	R11206800	1	INNER DOOR PANEL UNTIL CRXXXXXX0
	R11200690	1	INNER DOOR PANEL FROM CRXXXXXX1
3	R11100130	1	INNER DOOR GLASS
4	R69180000	1	DOOR DRIP TRAY DRAINAGE FROM CRXXXXXX1
5	R58001760	2	INNER GLASS SOLID HINGE
6	R58001770	2	INNER GLASS HINGE PIN
7	R58001780	2	INNER GLASS CATCH KIT
8	R11401340	1	TOP "C" PROFILE
9	R11401360	1	LOWER "C" PROFILE
10	R11207250	1	LOWER DOOR HINGE UNTIL CRXXXXXX0
	R11207240	1	LOWER DOOR HINGE FROM CRXXXXXX1
11	R58002520	1	LOWER HINGE PIN UNTIL CRXXXXXX0
	R58002670	1	LOWER HINGE PIN FROM CRXXXXXX1
12	R11200560	1	UPPER DOOR HINGE
13	R58002150	1	HINGE PIN
14	R58004050	2	NUT FOR UPPER DOOR HINGE
15	R10401710	1	WASHER FOR UPPER DOOR HINGE

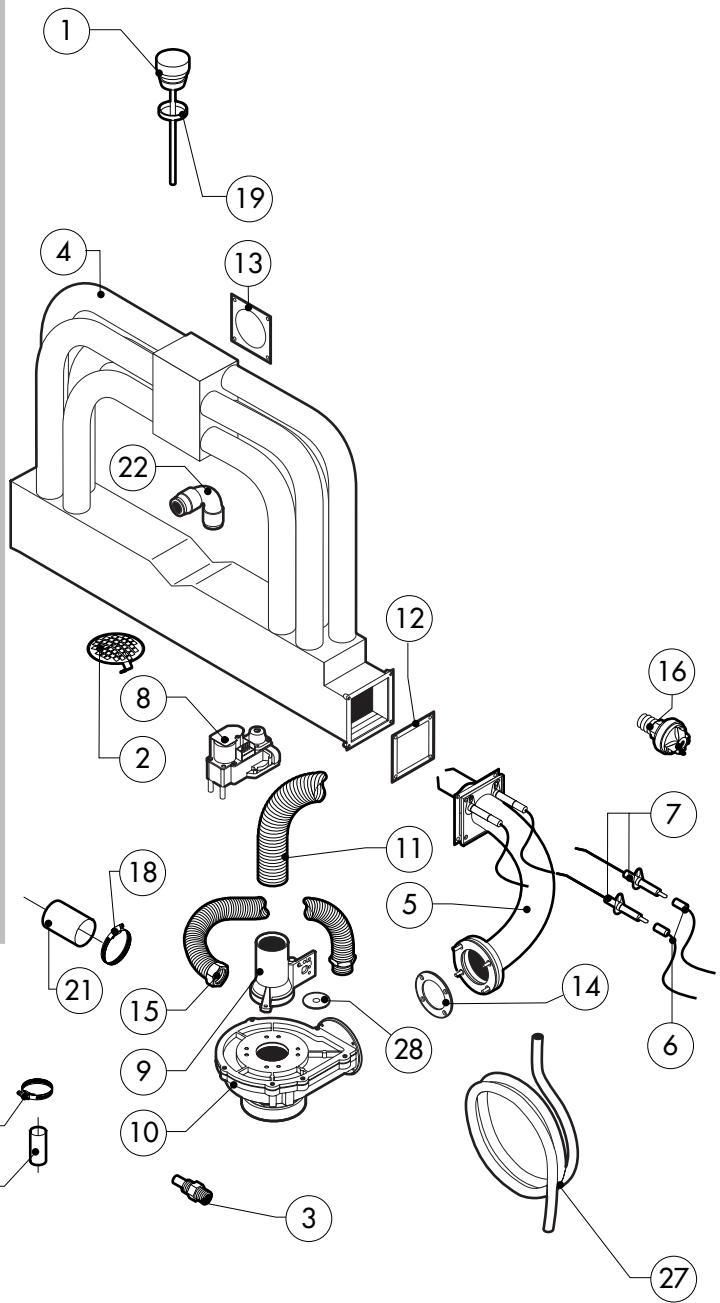
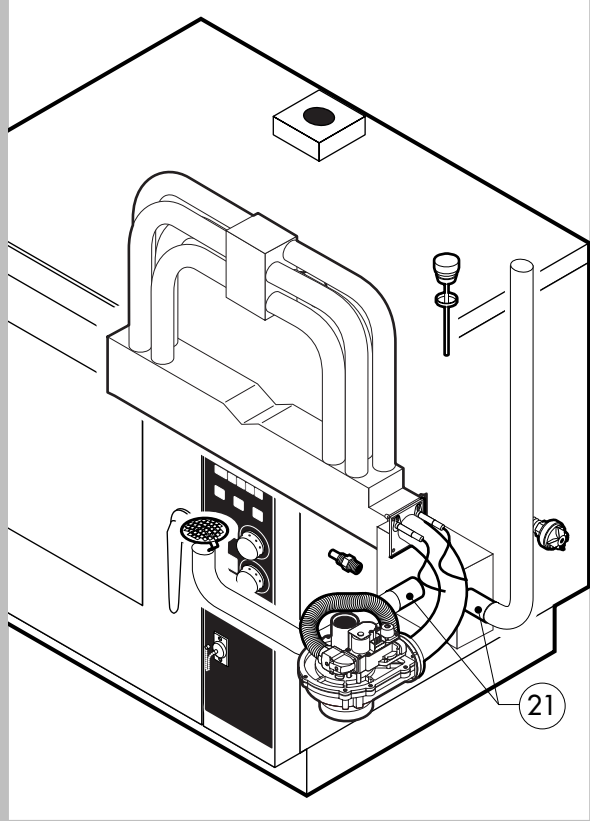
POS.	CODE	PIECES	DESCRIPTION
16	R70050100	6	GLASS SILICON SPACERS
17	R70044150	1	GLASS GASKET
18	R66110310	1	DOOR LAMPS CABLE SET
19	R11401440	1	LAMP COVER
20	R71500150	1	GLASS LAMP
21	R70044200	1	LAMP GASKET
22	R11401450	1	GLASS HOLDER LAMP FLANGE
23	R65270020	1	LIGHT 20W 12V G4
24	R65270450	1	LIGHT SOCKET
25	R65260750	1	LAMPS CONTACT BLOCK
26	R66110300	1	LAMPS CONTACT CABLE SET
27	R11100300	1	DOOR HANDLE ASSEMBLY
28	R69010260	1	DOOR LATCH 1 STEP
29	R69010270	1	DOOR LATCH 2 STEP
30	R69010250	1	DOOR CATCH KIT
31	R69010630	1	INNER DOOR CATCH PLASTIC COVER
32	R61620132	1	PRONG FLANGE



POS.	CODE	PIECES	DESCRIPTION
1	R58003860	1	MOTOR GASKET BRASS FLANGE
2	R58003870	1	MOTOR GASKET BRASS COUNTER FLANGE
3	R58004020	1	FAN SECURITY NUT M10 SX
4	R61400052	1	FAN WASHER Ø 21/10.5
5	*R65040431	1	MOTOR 025/005 KW KIT
6	R65060050	2	COMPONENTS VENTILATION MOTOR Ø 120
7	R65070350	1	CHAMBER SAFETY THERMOSTAT
8	R65095000	1	DAMPER SYSTEM
9	R65110210	1	SOLENOID VALVE 220V 50HZ
10	R65110230	1	SOLENOID VALVE 220V 50HZ
11	R65110500	1	10 LT/H WATER FLOW REDUCER
12	R63060120	1	BURNER IGNITION PANEL
13	R63130020	1	GAS BURNER FAN MOTOR PCBOARD
14	*R65140380	4	CONTACTOR 3RT1016-1AP02 240V
15	*R65160300	1	THERMIC PROTECTION T12-211S-0.8A
16	*R65160320	1	THERMIC PROTECTION T12-211S-2A
17	R65180770	1	TRANSFORMER 50VA
18	R65180420	2	TRANSFORMER 20VA
19	R65200086	2	FUSE 0.125A (T)

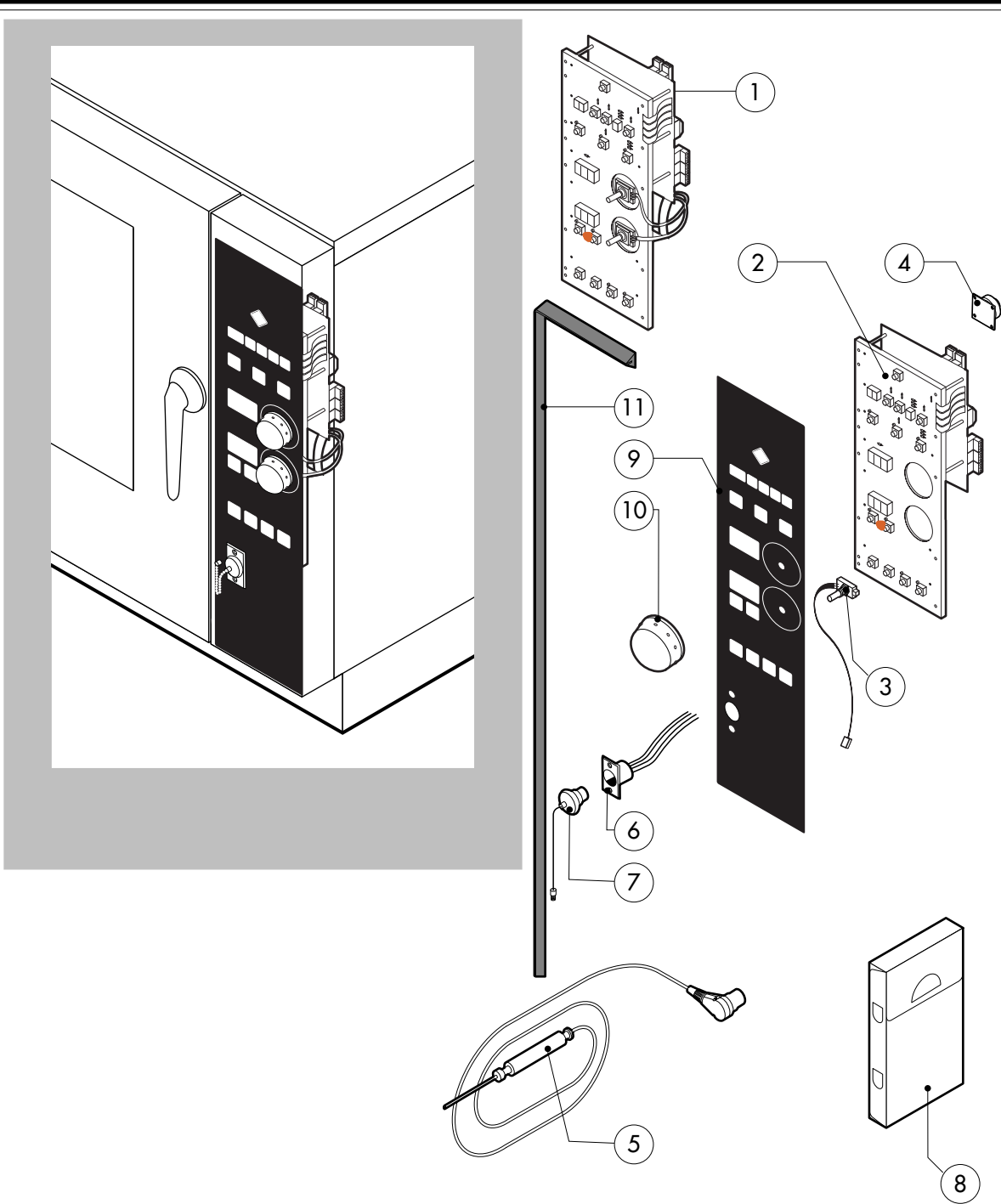
POS.	CODE	PIECES	DESCRIPTION
20	R65200200	1	FUSE 2A
21	R65200120	1	FUSE 1A
22	R65200040	1	FUSE 0.500A (T)
23	R65210020	5	FUSE CARRIER
24	R65220220	1	TERMINAL BOARD
25	R65265100	1	DOOR SWITCH
26	*R65280210	1	INTERFERENCE SUPPRESSOR
27	*R65280450	1	FERRITE
28	R65325000	2	PROBE PT100
29	R70020040	1	MOTOR GASKET
30	*R75400400	1	FAN Ø 220x78/12 50HZ P.D. KIT
31	*R65190180	1	CAPACITOR 10 µF

*COMPONENT SUBMITTED TO CHANGEMENTS CAUSED BY TENSION DIFFERENT FROM THE STANDARD (AC 230V 50HZ)



POS.	CODE	PIECES	DESCRIPTION
1	R10100140	1	DAMPER SYSTEM CAP
2	R10201700	1	DRAIN FILTER
3	R58006130	1	STEAM QUENCHING NOZZLE Ø 1
4	R11207040	1	HEAT EXCHANGER ACCESSORIES INCLUDED
5	R11201260	1	BURNER ASSEMBLY
6	R66110370	1	FLAME IGNITION CABLE/FLAME SENSOR CABLE
7	R63050070	2	IGNITOR
8	R63020170	1	GAS SOLENOID VALVE
9	R63120020	1	VENTURI TUBE
10	R63130010	1	GAS BURNER FAN MOTOR
11	R77700046	1	AIR INLET FLEXIBLE PIPE
12	R63140000	2	BURNER/HEAT EXCHANGER GASKET
13	R63140010	2	HEAT EXCHANGER GASKET
14	R63140050	1	BURNER/FAN MOTOR GASKET
15	R62180082	1	GAS INLET FLEXIBLE PIPE
16	R63070010	1	GAS SAFETY PRESSURE SWITCH PG 901.61
17	R61630011	2	METAL CLAMPS 12-22/9
18	R61630021	2	METAL CLAMPS 30-45/9
19	R70060020	1	DAMPER SYSTEM CAP GASKET

POS.	CODE	PIECES	DESCRIPTION
20	R70060080	1	SILICON COUPLING Ø 13
21	R70060010	1	SILICON COUPLING Ø 30
22	R62090478	3	ELBOW MIDLING PIPE FITTING D.10
23	R62090458	1	STRAIGHT MIDLING PIPE FITTING D.10
24	R62090508	1	10X1/4 STRAIGHT THREADED TERMINAL PIPE FITTING
25	R62030118	1	1/8"-1/4" FEMALE REDUCTION COUPLING
26	R63070050	1	WATER SAFETY PRESSURE SWITCH 1/8" 0,5-0,35 BAR
27	R70070050	1	PE D.10 MM X7 WATER FLEXIBLE PIPE (3 MT LONG)
28	R58004180	1	ORIFICE (FOR VERSION LIQUID GAS)



POS.	CODE	PIECES	DESCRIPTION
1	R65301400	1	CONTROL PANEL P.C. BOARD
2	R65301370	1	FRONT+RELAY PC BOARD "H-P" MOD
3	R65301450	2	FRONT PC BOARD ENCODER
4	R65301440	1	PC BOARD BUZZER
5	R65321120	1	CORE TEMPERATURE PROBE
6	R65320920	1	CORE TEMPERATURE PROBE FEMALE CONNECTOR
7	R65321020	1	COVER FOR FEMALE CONNECTOR
8	R86020420	1	CORE TEMPERATURE PROBE BOX
9	R67013080	1	PLATE
10	R69030260	2	KNOB
11	R70044250	1	CONTROL PANEL GASKET

POS.	CODE	PIECES	DESCRIPTION