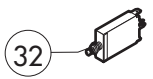


TWO SPEED FAN

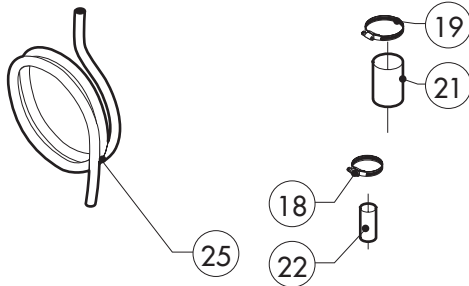
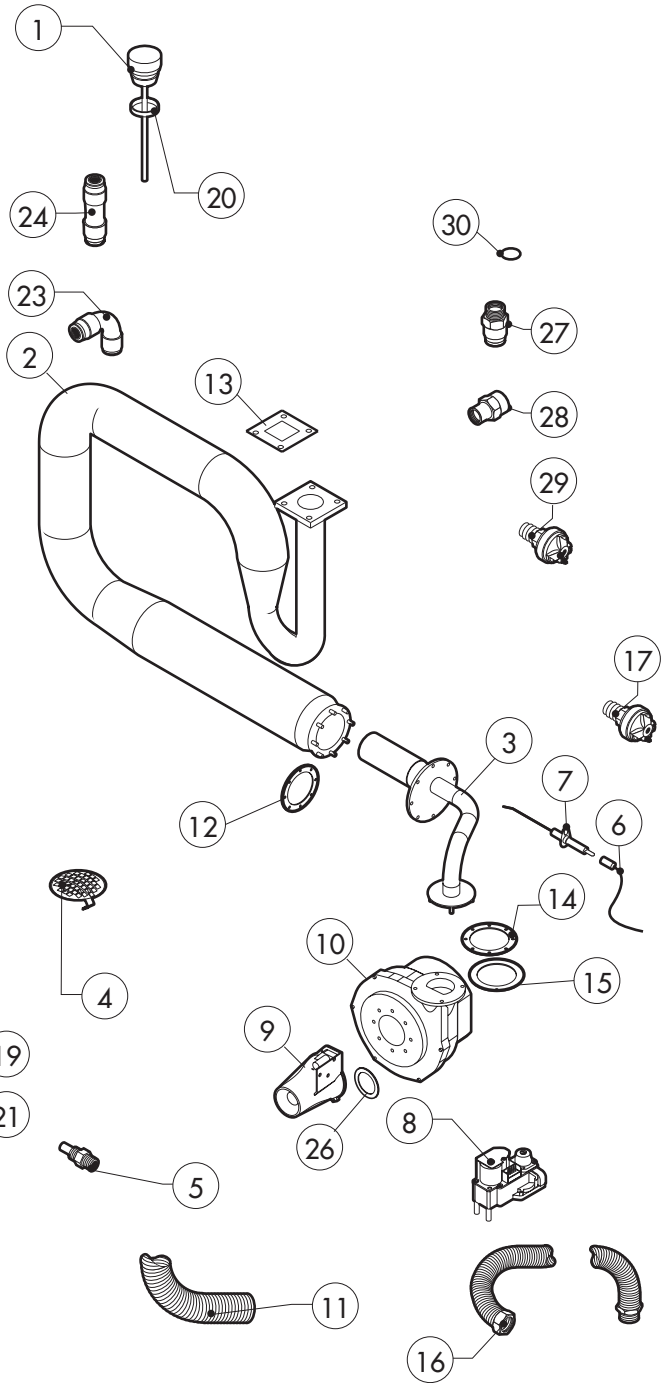
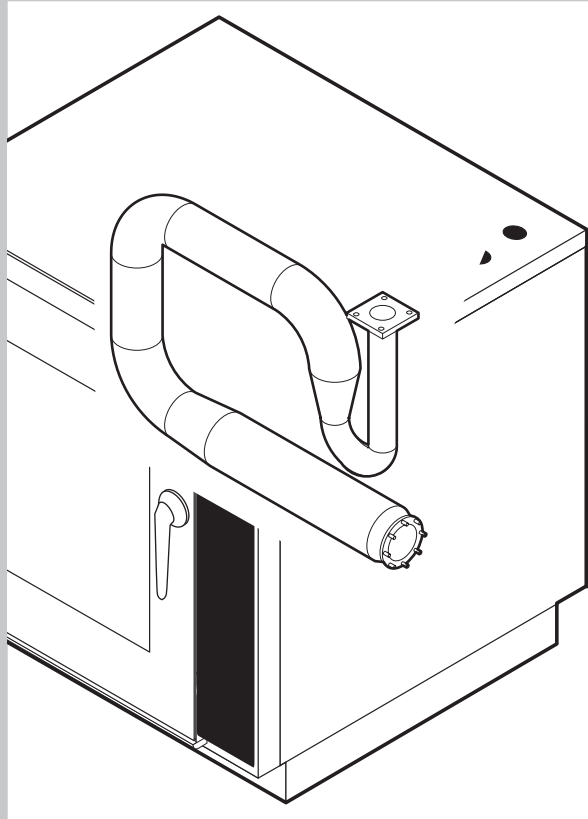
| POS. | CODE       | PIECES | DESCRIPTION                        |
|------|------------|--------|------------------------------------|
| 5    | *R65040431 | 1      | MOTOR KW 025/005 2-4P 220-240V KIT |
| 15   | *R65140700 | 4      | CONTACTOR DIL M9-01 4KW-20A        |
| 32   | *R65160300 | 1      | THERMIC PROTECTION T12-211S-0,8A   |
|      |            |        |                                    |
|      |            |        |                                    |
|      |            |        |                                    |



| POS. | CODE       | PIECES | DESCRIPTION                             |
|------|------------|--------|---|
| 1    | R58003860  | 1      | MOTOR GASKET BRASS FLANGE               |
| 2    | R58003870  | 1      | MOTOR GASKET BRASS COUNTER FLANGE       |
| 3    | R58004020  | 1      | FAN SECURITY NUT M10 SX                 |
| 4    | R61400052  | 1      | FAN WASHER Ø 21/10.5                    |
| 5    | *R65040421 | 1      | MOTOR KW 025 2P 220-240V KIT            |
| 6    | R65060050  | 2      | COMPONENTS VENTILATION MOTOR Ø 120      |
| 7    | R65070350  | 1      | CHAMBER SAFETY THERMOSTAT               |
| 8    | R65095000  | 1      | DAMPER SYSTEM                           |
| 9    | R65110200  | 1      | SOLENOID VALVE 220V 50HZ                |
| 10   | R65110230  | 1      | SOLENOID VALVE 220V 50HZ                |
| 11   | R65110520  | 1      | 22 LT/H WATER FLOW REDUCER              |
| 12   | R63060160  | 1      | BURNER IGNITION PANEL                   |
| 13   | R65180270  | 1      | IGNITION TRANSFORMER                    |
| 14   | R66605140  | 1      | FLAME IGNITION CABLE/FLAME SENSOR CABLE |
| 15   | *R65140700 | 2      | CONTACTOR DIL M9-01 4KW-20A             |
| 16   | *R65160320 | 1      | THERMIC PROTECTION T12-211S-2A          |
| 17   | R65180420  | 2      | TRANSFORMER 20VA                        |
| 18   | R65200200  | 1      | FUSE 2A                                 |
| 19   | R65200160  | 2      | FUSE 1A                                 |
| 20   | R65200320  | 1      | FUSE 0.200A (T)                         |
| 21   | R65200086  | 1      | FUSE 0.125A (T)                         |

| POS. | CODE       | PIECES | DESCRIPTION                   |
|------|------------|--------|-------------------------------|
| 22   | R65210020  | 5      | FUSE CARRIER                  |
| 23   | R65220280  | 1      | TERMINAL BOARD                |
| 24   | R65260540  | 1      | DOOR SWITCH                   |
| 25   | *R65280230 | 1      | INTERFERENCE SUPPRESSOR       |
| 26   | R65190180  | 1      | CAPACITOR 10 µF               |
| 27   | *R65280490 | 1      | FERRITE FT35                  |
| 28   | R65320220  | 2      | PROBE "K" 6X80 1,5ML.         |
| 29   | R70020040  | 1      | MOTOR GASKET                  |
| 30   | *R75400490 | 1      | FAN Ø 220x78/12 50HZ P.D. KIT |
| 31   | R75400530  | 1      | FAN Ø 220x78/8 60HZ P.D. KIT  |
| 33   | R65190180  | 1      | CAPACITOR 10 µF               |
|      |            |        |                               |
|      |            |        |                               |
|      |            |        |                               |
|      |            |        |                               |
|      |            |        |                               |
|      |            |        |                               |
|      |            |        |                               |
|      |            |        |                               |
|      |            |        |                               |
|      |            |        |                               |
|      |            |        |                               |

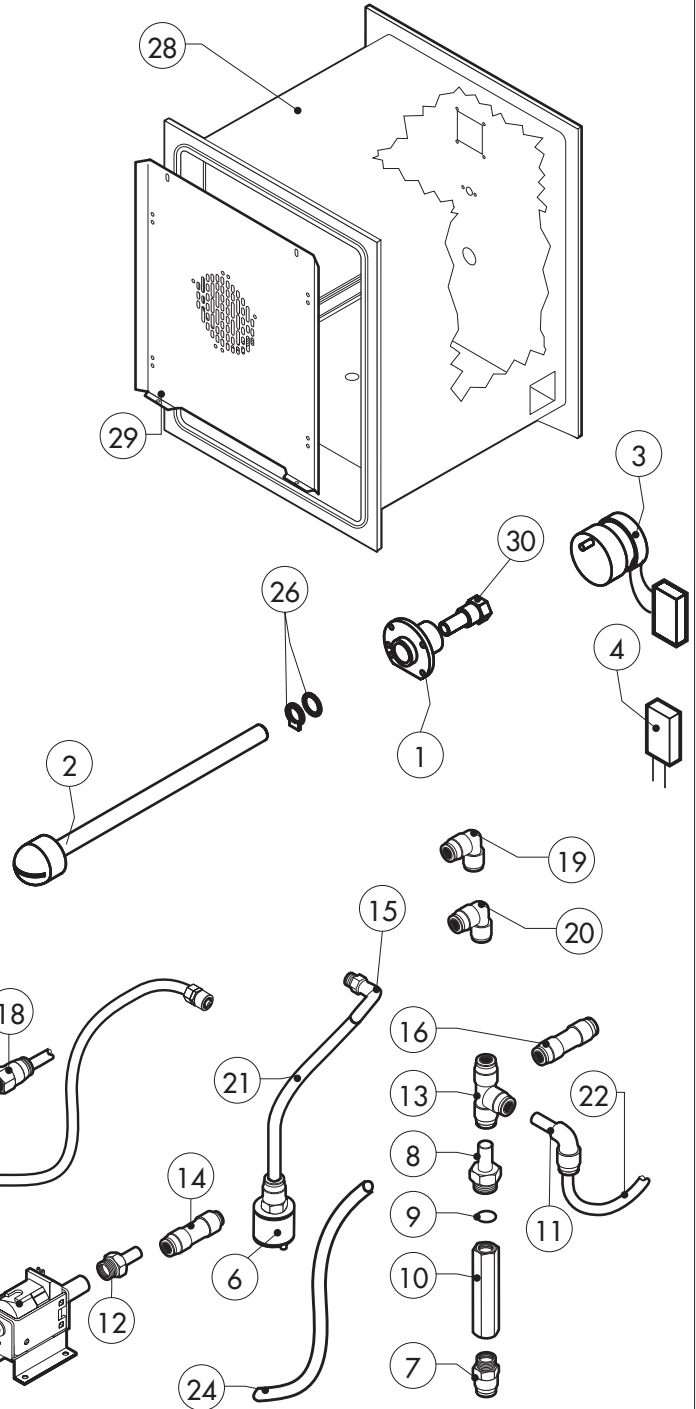
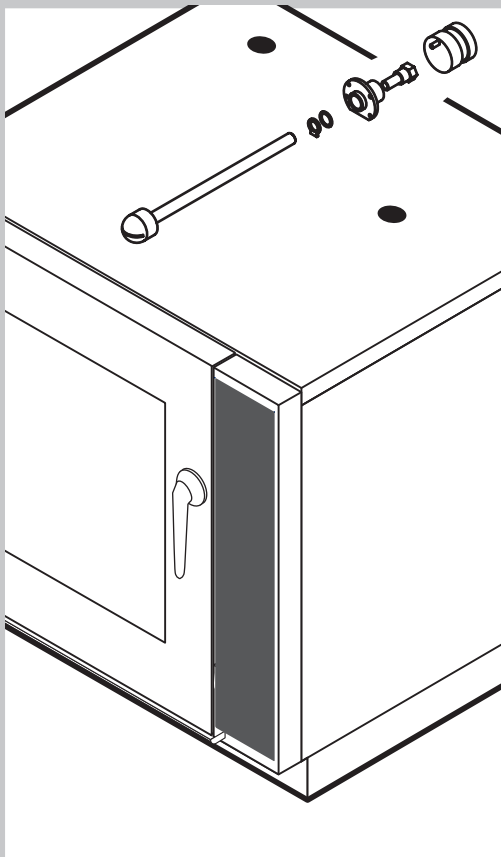
\*COMPONENT SUBMITTED TO CHANGEMENTS CAUSED BY TENSION DIFFERENT FROM THE STANDARD (AC 230V 50HZ)



| POS. | CODE      | PIECES | DESCRIPTION                             |
|------|-----------|--------|---|
| 1    | R10100140 | 1      | DAMPER SYSTEM CAP                       |
| 2    | R18203080 | 1      | HEAT EXCHANGER ACCESSORIES INCLUDED     |
| 3    | R18211051 | 1      | COOKING CABINET BURNER                  |
| 4    | R10201700 | 1      | DRAIN FILTER                            |
| 5    | R58006130 | 1      | STEAM QUENCHING NOZZLE Ø 1              |
| 6    | R66605821 | 1      | FLAME IGNITION CABLE/FLAME SENSOR CABLE |
| 7    | R63050130 | 3      | IGNITOR                                 |
| 8    | R63020170 | 1      | GAS SOLENOID VALVE                      |
| 9    | R63120020 | 1      | VENTURI TUBE                            |
| 10   | R65060360 | 1      | GAS BURNER FAN MOTOR                    |
| 11   | R77700056 | 1 MT   | AIR INLET FLEXIBLE PIPE                 |
| 12   | R63140070 | 2      | BURNER/HEAT EXCHANGER GASKET            |
| 13   | R63140010 | 2      | BOILER/HEAT EXCHANGER GASKET            |
| 14   | R63140050 | 2      | BURNER/FAN MOTOR GASKET                 |
| 15   | R11430360 | 1      | ORIFICE D.13                            |
| 16   | R62180122 | 1      | GAS INLET FLEXIBLE PIPE                 |
| 17   | R63070010 | 1      | GAS SAFETY PRESSURE SWITCH PG 901.61    |
| 18   | R61630011 | 2      | METAL CLAMPS 12-22/9                    |
| 19   | R61630021 | 2      | METAL CLAMPS 30-45/9                    |

| POS. | CODE      | PIECES | DESCRIPTION                                    |
|------|-----------|--------|--|
| 20   | R70060020 | 1      | DAMPER SYSTEM CAP GASKET                       |
| 21   | R70060010 | 1      | SILICON COUPLING Ø 30                          |
| 22   | R70060080 | 1      | SILICON COUPLING Ø 13                          |
| 23   | R62090478 | 3      | ELBOW MIDLING PIPE FITTING D.10                |
| 24   | R62090458 | 1      | STRAIGHT MIDLING PIPE FITTING D.10             |
| 25   | R70070050 | 1      | PE D.10 MM X7 WATER FLEXIBLE PIPE (3 MT LONG)  |
| 26   | R58004170 | 1      | ORIFICE  |
| 27   | R62090508 | 1      | 10X1/4 STRAIGHT THREADED TERMINAL PIPE FITTING |
| 28   | R62030118 | 1      | 1/8"-1/4" FEMALE REDUCTION COUPLING            |
| 29   | R63070050 | 1      | WATER SAFETY PRESSURE SWITCH 1/8" 0,5-0,35 BAR |
| 30   | R70010050 | 1      | GASKET   |





| POS. | CODE      | PIECES | DESCRIPTION                                      |
|------|-----------|--------|--|
| 1    | R58007020 | 1      | WASHING SYSTEM FLANGE                            |
| 2    | R58007040 | 1      | WASHING SYSTEM INNER ASSEMBLY                    |
| 3    | R65090250 | 1      | WASHING GEARED MOTORS WITH CAPACITOR             |
| 4    | R65190230 | 1      | CAPACITOR 0,27 μF                                |
| 5    | R65110600 | 1      | DETRGENT PUMP                                    |
| 6    | R65110650 | 1      | BOTTOM FILTER                                    |
| 7    | R62090508 | 1      | 10X1/4 STRAIGHT THREADED TERMINAL PIPE FITTING   |
| 8    | R62090518 | 5      | 10X1/4 END SIDE PIPE FITTING (WITH TANG)         |
| 9    | R70010050 | 6      | OR GASKETS                                       |
| 10   | R65110640 | 2      | ANTI-BACK FLOW                                   |
| 11   | R62090528 | 3      | ELBOW PIPE FITTING (WITH TANG) 10 X 10           |
| 12   | R62090608 | 1      | 8X1/8 END SIDE PIPE FITTING (WITH TANG)          |
| 13   | R62090468 | 1      | 1" MIDLING PIPE FITTING D.10                     |
| 14   | R62090618 | 1      | 10-8 REDUCTION PIPE FITTING                      |
| 15   | R62090648 | 1      | ELBOW PIPE FITTING                               |
| 16   | R62090458 | 1      | STRAIGHT MIDLING PIPE FITTING D.10               |
| 17   | R62090482 | 1      | RAPID MALE PIPE FITTING                          |
| 18   | R62090538 | 1      | 1/4" FEMALE STRAIGHT PIPE FITTING FOR D.8X6 PIPE |
| 19   | R62090633 | 1      | ELBOW PIPE FITTING BRASS D.10                    |

| POS. | CODE      | PIECES | DESCRIPTION                                   |
|------|-----------|--------|---|
| 20   | R62090663 | 1      | ELBOW PIPE FITTING BRASS D.10x1/4"            |
| 21   | R70070100 | 1      | PE D.8 MM X 6 DETERGENT FLEXIBLE PIPE         |
| 22   | R70070070 | 1      | PE D.10 MM X7 WATER FLEXIBLE PIPE (3 MT LONG) |
| 23   | R70070080 | 1      | PE D.23 MM X13 FLEXIBLE PIPE (1 MT LONG)      |
| 24   | R70070090 | 1      | PE D.12 MM X7 SILICONE PIPE (1 MT LONG)       |
| 25   | R65110210 | 1      | SOLENOID VALVE 220V 50HZ                      |
| 26   | R70045120 | 1      | GASKETS KIT                                   |
| 27   | R61630011 | 2      | METAL CLAMPS 12-22/9                          |
| 28   | R18210441 | 1      | COOKING CABINET ASSEMBLY                      |
| 29   | R18422070 | 1      | FAN GUARD PANEL ASSEMBLY                      |
| 30   | R58007000 | 1      | ROTATING PIVOT                                |