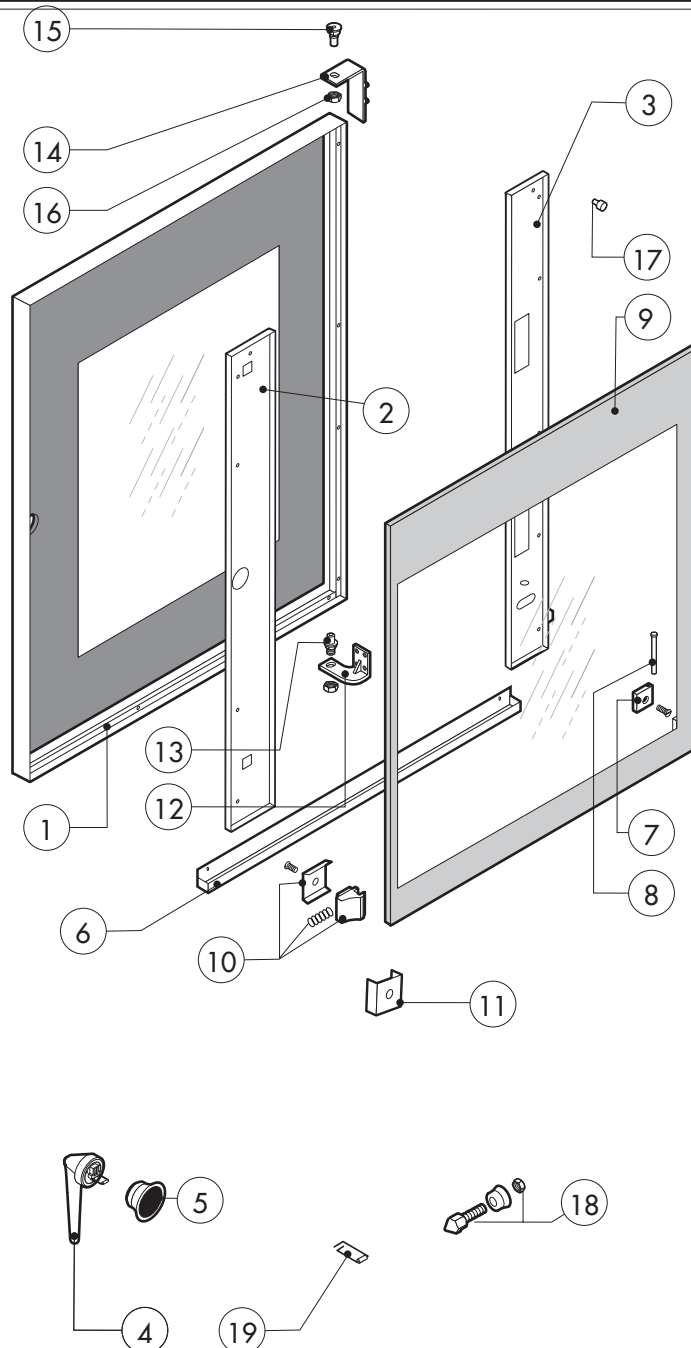
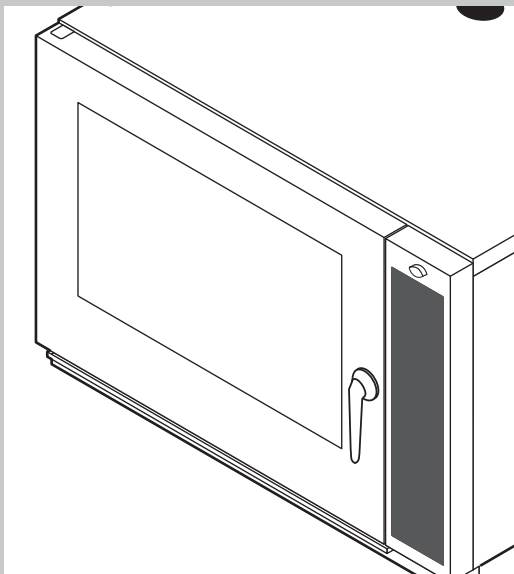


POS.	CODE	PIECES	DESCRIPTION
1	R18100130	1	DOOR ASSEMBLY
2	R18203480	1	CONTROL PANEL
3	R18200540	1	SPRITZER EXTENSION
4	R18201430	1	SPRITZER UNION
5	R18210490	1	COOKING CABINET ASSEMBLY+LEFT SIDE PANEL
6	R65270510	1	LAMP COVER
7	R18402080	1	FAN GUARD PANEL ASSEMBLY
8	R18402170	1	SIDE PANEL
9	R18402160	1	REAR PANEL
10	R18420510	1	COVER PANEL
11	R58006400	2	FAN GUARD FASTENING SCREW
12	R70044340	1	FRONT GASKET
13	R18400500	2	REMOVABLE RACK

POS.	CODE	PIECES	DESCRIPTION



POS.	CODE	PIECES	DESCRIPTION
1	R18203060	1	DOOR
2	R18417920	1	RIGHT DOOR POST
3	R18417930	1	LEFT DOOR POST
4	R69010210	1	DOORHANDLE
5	R69010630	1	DOORHANDLE COVER
6	R18417950	1	DOOR BASIN
7	R58001760	2	INNER GLASS SOLID HINGE
8	R58001770	2	INNER GLASS HINGE PIN
9	R71201570	1	OUTER DOOR GLASS
10	R58001780	2	INNER GLASS CATCH KIT
11	R11401350	2	OUTER DOOR GLASS FLANGE
12	R18421580	1	LOWER DOOR HINGE
13	R58002520	1	LOWER HINGE PIN
14	R18421570	1	UPPER DOOR HINGE
15	R58002150	1	UPPER HINGE PIN
16	R58004050	2	NUT FOR UPPER DOOR HINGE
17	R70050100	6	GLASS SILICON SPACERS
18	R69010260	1	DOOR LATCH 1 STEP
19	R61620132	1	PRONG FLANGE

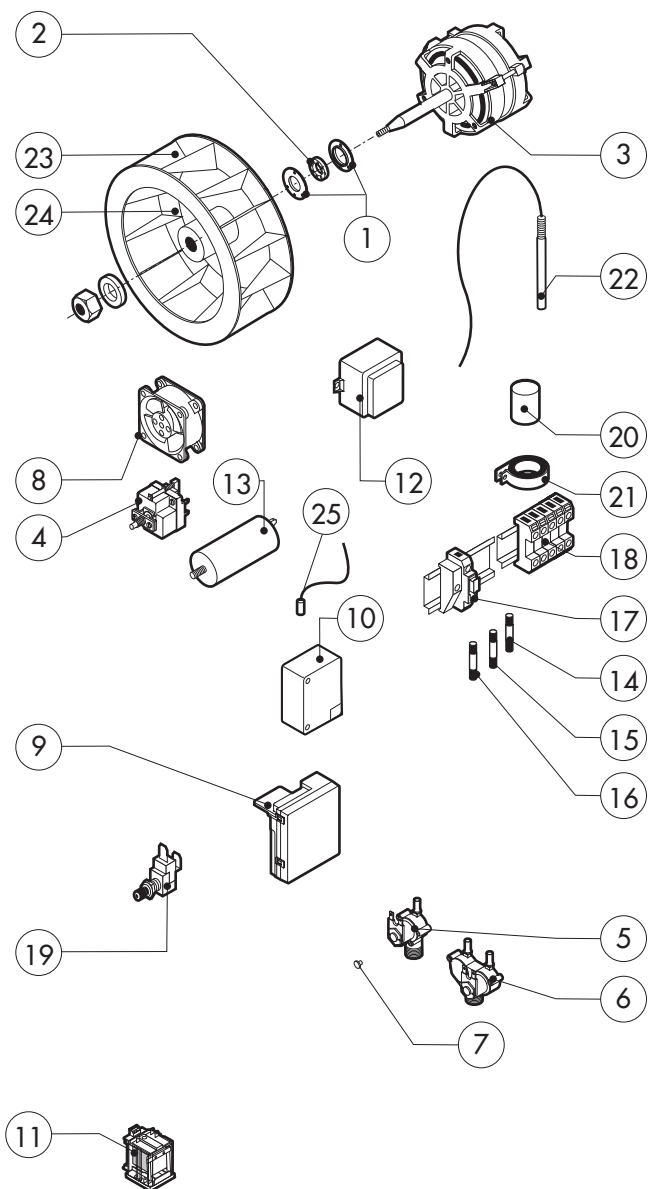
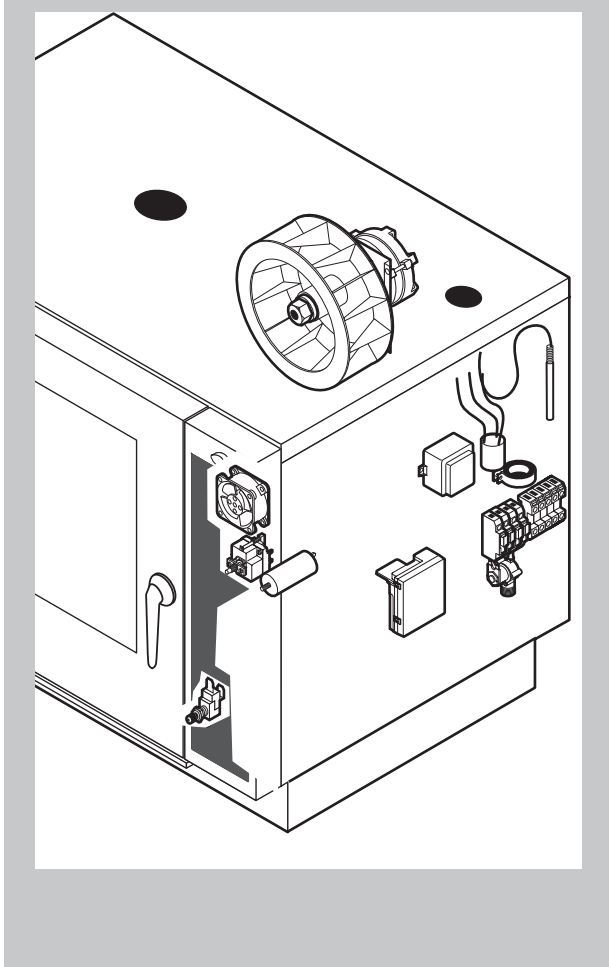
POS.	CODE	PIECES	DESCRIPTION

Serie New

EDIZIONE 0211

SVG 051 P

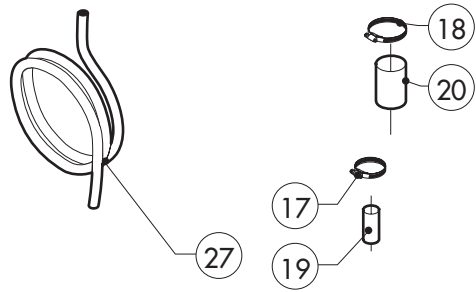
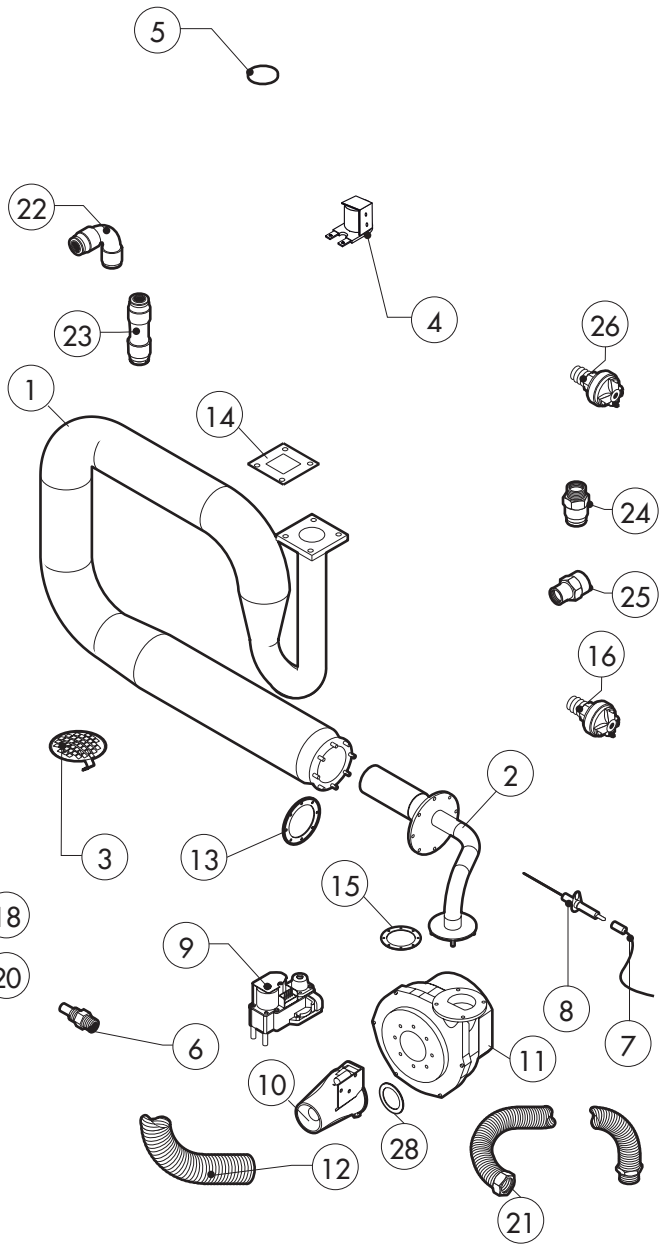
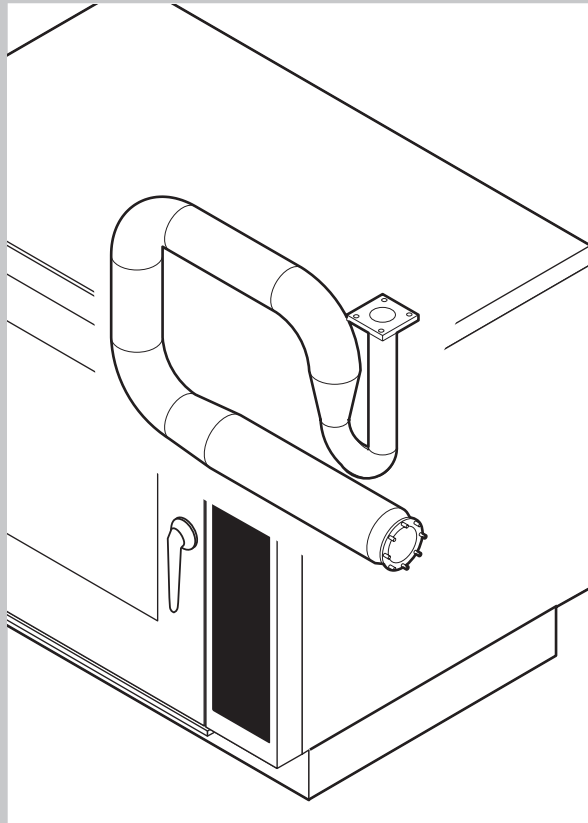
fav. B



POS.	CODE	PIECES	DESCRIPTION
1	R58005500	1	MOTOR GASKET BRASS FLANGE
2	R70020020	1	MOTOR GASKET
3	*R65041000	1	MOTOR 200W
4	R65070350	1	CHAMBER SAFETY THERMOSTAT
5	R65110200	1	SOLENOID VALVE 220V 50HZ
6	R65110230	1	SOLENOID VALVE 220V 50HZ WITH FLOW REDUCER
7	R65110500	1	10 LT/H WATER FLOW REDUCER
8	R65060050	1	COMPONENTS VENTILATION MOTOR Ø 120
9	R63060160	1	BURNER IGNITION PANEL
10	R65180270	1	IGNITION TRANSFORMER
11	R65170100	2	RELAY 240V AC 16A 62.82300308
12	R65180420	1	TRANSFORMER 20VA
13	*R65190180	1	CAPACITOR 10 µF
14	R65200200	1	FUSE 2A
15	R65200160	1	FUSE 1A
16	R65200086	1	FUSE 0.125A (T)
17	R65210020	4	FUSE CARRIER
18	R65220280	1	TERMINAL BOARD
19	R65260540	1	DOOR SWITCH

POS.	CODE	PIECES	DESCRIPTION
20	*R65280230	1	INTERFERENCE SUPPRESSOR
21	*R65280490	1	FERRITE FT35
22	R65320220	2	PROBE "K" 6X80 1,5ML
23	*R75400410	1	FAN Ø 180x77/12 50HZ P.D.
24	R75400430	1	FAN Ø 180x77/8 60HZ P.D.
25	R66605140	1	FLAME IGNITION CABLE/FLAME SENSOR CABLE

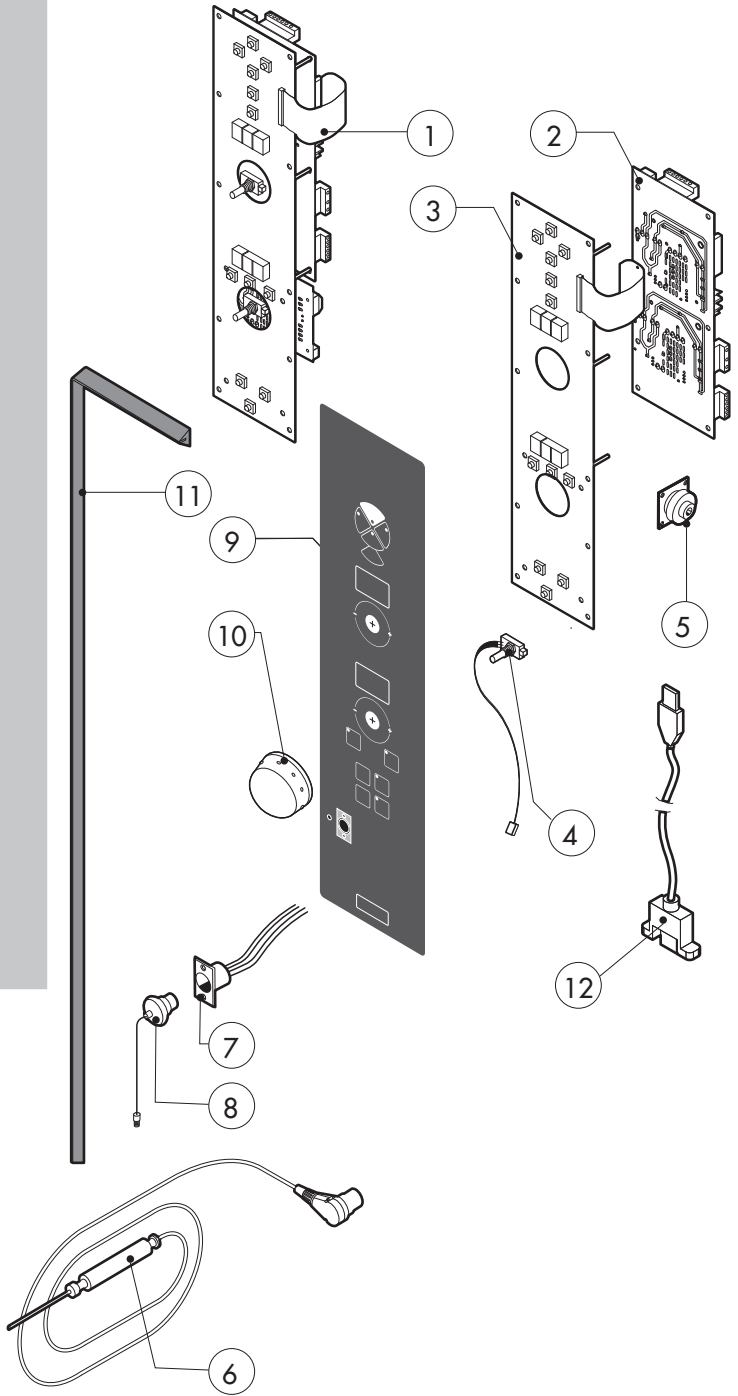
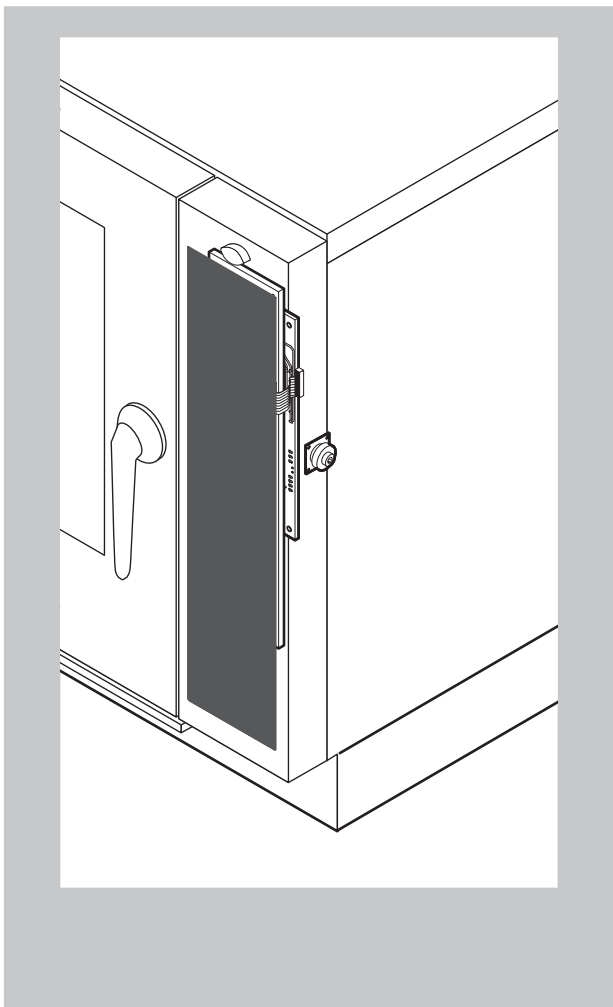
*COMPONENT SUBMITTED TO CHANGEMENTS CAUSED BY TENSION DIFFERENT FROM THE STANDARD AC 230V 50HZ)



POS.	CODE	PIECES	DESCRIPTION
1	R18211040	1	HEAT EXCHANGER ACCESSORIES INCLUDED
2	R18211051	1	COOKING CABINET BURNER
3	R09201820	1	DRAIN FILTER
4	R65090300	1	MAGNETIC SPOOL
5	R70050130	1	DAMPER
6	R58006130	1	STEAM QUENCHING NOZZLE Ø 1
7	R66605821	1	FLAME IGNITION CABLE/FLAME SENSOR CABLE
8	R63050130	3	IGNITOR
9	R63020170	1	GAS SOLENOID VALVE
10	R63120020	1	VENTURI TUBE
11	R65060360	1	GAS BURNER FAN MOTOR
12	R77700056	1 MT	AIR INLET FLEXIBLE PIPE
13	R63140070	2	BURNER/HEAT EXCHANGER GASKET
14	R63140010	2	BOILER/HEAT EXCHANGER GASKET
15	R63140050	2	BURNER/FAN MOTOR GASKET
16	R63070010	1	GAS SAFETY PRESSURE SWITCH PG 901.61
17	R61630011	2	METAL CLAMPS 12-22/9
18	R61630081	2	METAL CLAMPS 20-32/9
19	R70060080	1	SILICON COUPLING Ø 13

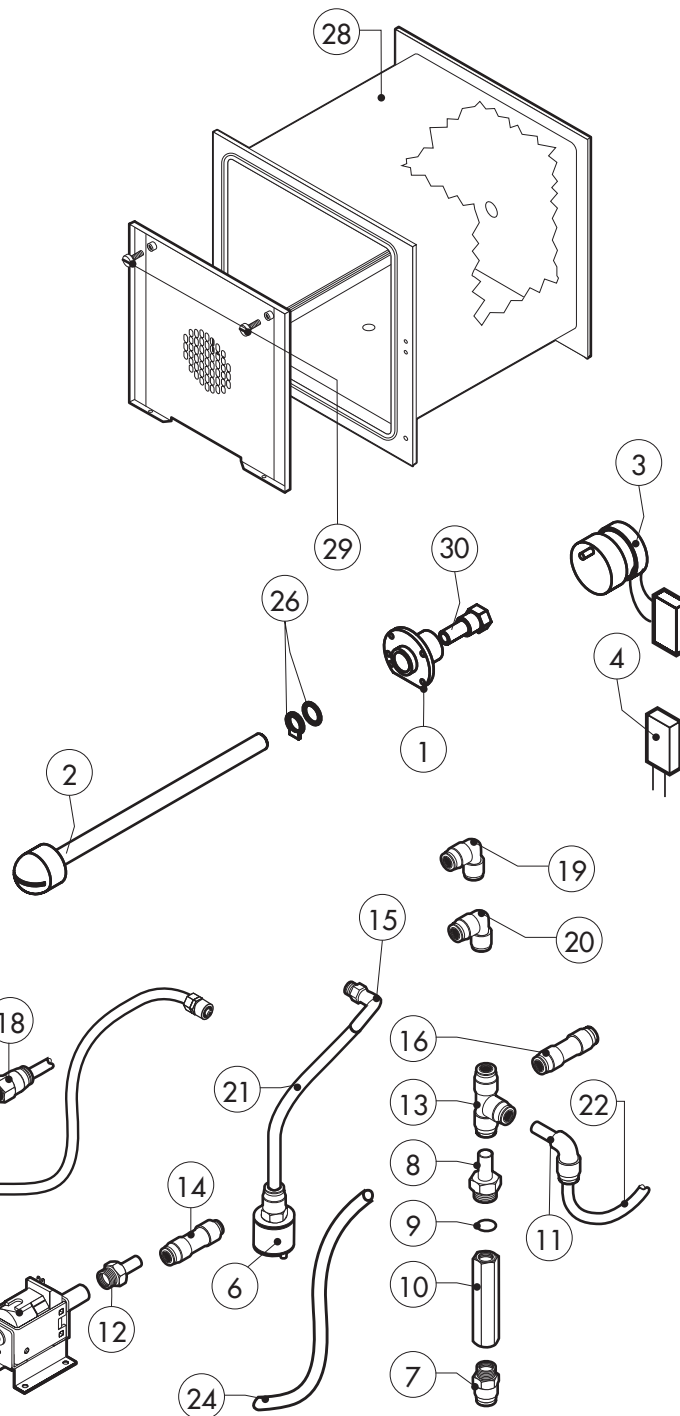
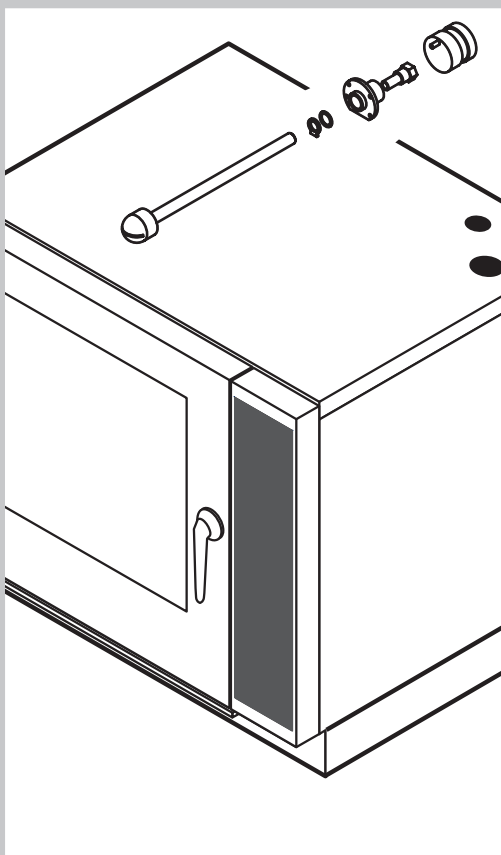
POS.	CODE	PIECES	DESCRIPTION
20	R70060090	1	SILICON COUPLING Ø 25
21	R62180082	1	GAS INLET FLEXIBLE PIPE
22	R62090478	3	ELBOW MIDLING PIPE FITTING D.10
23	R62090458	1	STRAIGHT MIDLING PIPE FITTING D.10
24	R62090508	1	10X1/4 STRAIGHT THREADED TERMINAL PIPE FITTING
25	R62030118	1	1/8"-1/4" FEMALE REDUCTION COUPLING
26	R63070050	1	WATER SAFETY PRESSURE SWITCH 1/8" 0,5-0,35 BAR
27	R70070070	1	PE D.10 MM X7 WATER FLEXIBLE PIPE (1 MT LONG)
28	R58004170	1	ORIFICE (FOR VERSION LIQUID GAS)

*COMPONENT SUBMITTED TO CHANGEMENTS, CAUSED BY TENSION DIFFERENT FROM THE STANDARD (AC 230V 50HZ)



POS.	CODE	PIECES	DESCRIPTION
1	R65301802	1	CONTROL PANEL P.C. BOARD
2	R65301811	1	FRONT PC BOARD "D" MOD
3	R65301821	1	RELAY PC BOARD "D" MOD
4	R65301940	2	FRONT PC BOARD ENCODER
5	R65301960	1	PC BOARD BUZZER
6	R65321120	1	CORE TEMPERATURE PROBE
7	R65320920	1	CORE TEMPERATURE PROBE FEMALE CONNECTOR
8	R65321020	1	COVER FOR FEMALE CONNECTOR
9		1	PLATE "P"
10	R69030260	2	KNOB
11	R70044250	1	CONTROL PANEL GASKET
12	R65301970	1	PC BOARD CONNECTION USB

POS.	CODE	PIECES	DESCRIPTION



POS.	CODE	PIECES	DESCRIPTION
1	R58007020	1	WASHING SYSTEM FLANGE
2	R58007050	1	WASHING SYSTEM INNER ASSEMBLY
3	R65090250	1	WASHING GEARED MOTORS WITH CAPACITOR
4	R65190230	1	CAPACITOR 0,27 µF
5	R65110600	1	DETRGENT PUMP
6	R65110650	1	BOTTOM FILTER
7	R62090508	1	10X1/4 STRAIGHT THREADED TERMINAL PIPE FITTING
8	R62090518	5	10X1/4 END SIDE PIPE FITTING (WITH TANG)
9	R70010050	6	OR GASKETS
10	R65110640	2	ANTI-BACK FLOW
11	R62090528	3	ELBOW PIPE FITTING (WITH TANG) 10 X 10
12	R62090608	1	8X1/8 END SIDE PIPE FITTING (WITH TANG)
13	R62090468	1	"T" MIDLING PIPE FITTING D.10
14	R62090618	1	10-8 REDUCTION PIPE FITTING
15	R62090648	1	ELBOW PIPE FITTING
16	R62090458	1	STRAIGHT MIDLING PIPE FITTING D.10
17	R62090482	1	RAPID MALE PIPE FITTING
18	R62090538	1	1/4" FEMALE STRAIGHT PIPE FITTING FOR D.8X6 PIPE
19	R62090633	1	ELBOW PIPE FITTING BRASS D.10

POS.	CODE	PIECES	DESCRIPTION
20	R62090663	1	ELBOW PIPE FITTING BRASS D.10x1/4"
21	R70070100	1	PE D.8 MM X 6 DETERGENT FLEXIBLE PIPE
22	R70070070	1	PE D.10 MM X 7 WATER FLEXIBLE PIPE (3 MT LONG)
23	R70070080	1	PE D.23 MM X13 FLEXIBLE PIPE (1 MT LONG)
24	R70070090	1	PE D.12 MM X7 SILICONE PIPE (1 MT LONG)
25	R65110210	1	SOLENOID VALVE 220V 50HZ
26	R70045120	1	GASKETS KIT
27	R61630011	2	METAL CLAMPS 12-22/9
28	R18210500	1	COOKING CABINET ASSEMBLY+LEFT SIDE PANEL
29	R18402070	1	FAN GUARD PANEL ASSEMBLY
30	R58007000	1	ROTATING PIVOT