

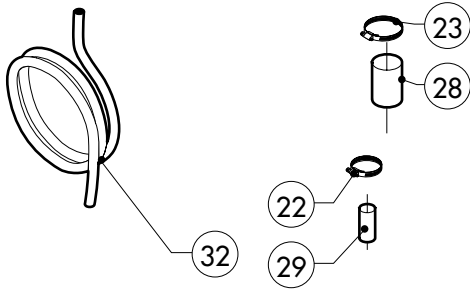
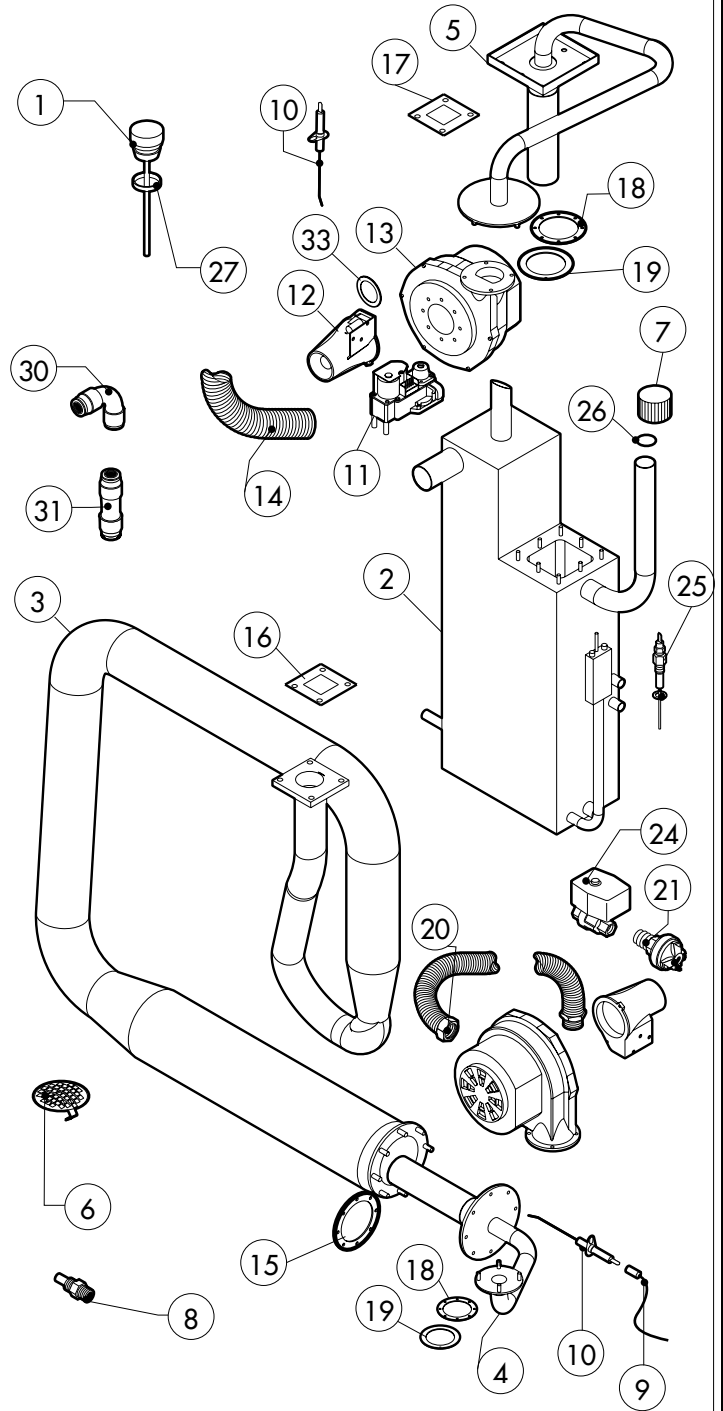
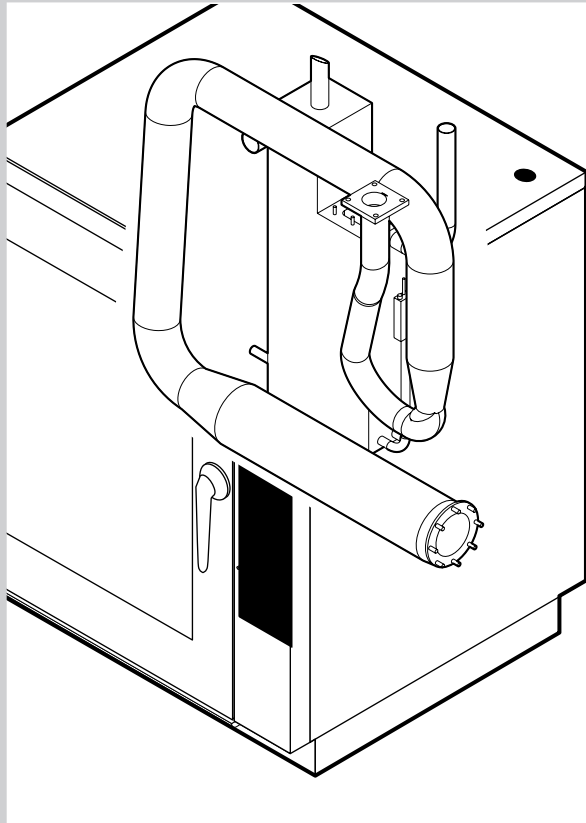
TWO SPEED FAN

POS.	CODE	PIECES	DESCRIPTION
6	*R65040540	1	MOTOR KW 055/015 4-6P 240V
17	*R65140700	4	CONTACTOR DIL M9-01 4KW-20A
35	*R65160770	1	THERMIC PROTECTION ZB12-2,4 (1,6-2,4)

POS.	CODE	PIECES	DESCRIPTION
1	R58003840	1	MOTOR GASKET BRASS FLANGE
2	R58003850	1	MOTOR GASKET BRASS COUNTER FLANGE
3	R58004000	1	FAN SCREW M12x1.5 SX
4	R58004010	1	FAN WASHER Ø 30/12.5
5	R61020562	1	FAN SCREW TE A2 M6x55
6	*R65040550	1	MOTOR KW 055 F1 4P 200-240V KIT
7	R65060050	2	COMPONENTS VENTILATION MOTOR Ø 120
8	R65070350	1	CHAMBER SAFETY THERMOSTAT
9	R65070081	1	STEAM GENERATOR SAFETY THERMOSTAT
10	R65095000	1	DAMPER SYSTEM
11	R65110200	1	SOLENOID VALVE 220V 50HZ
12	R65110210	1	SOLENOID VALVE 220V 50HZ WITH FLOW REDUCER
13	R65110520	1	22 LT/H WATER FLOW REDUCER
14	R63060160	2	BURNER IGNITION PANEL
15	R65180270	2	IGNITION TRANSFORMER
16	R66605140	2	FLAME IGNITION CABLE/FLAME SENSOR CABLE
17	*R65140700	2	CONTACTOR DIL M9-01 4KW-20A
18	*R65160780	1	THERMIC PROTECTION ZB12-4
19	R65180420	2	TRANSFORMER 20VA
20	R65200200	1	FUSE 2A
21	R65200160	2	FUSE 1A

POS.	CODE	PIECES	DESCRIPTION
22	R65200350	1	FUSE 0.200A (T)
23	R65200086	1	FUSE 0.125A (T)
24	R65140750	1	INVERSION KIT FOR CONTACTOR 4KW
25	R65210020	3	FUSE CARRIER
26	R65220300	1	TERMINAL BOARD
27	R65260540	1	DOOR SWITCH
28	*R65280200	3	INTERFERENCE SUPPRESSOR
29	*R65190050	1	CAPACITOR 20 µF
30	*R65280490	1	FERRITE FT35
31	R65320220	3	PROBE "K" 6X80 1,5ML
32	R70020050	1	MOTOR GASKET
33	*R75400440	1	FAN Ø 350x114/12 50HZ P.D. KIT
34	R75400470	1	FAN Ø 350x114/12 60HZ P.D. KIT

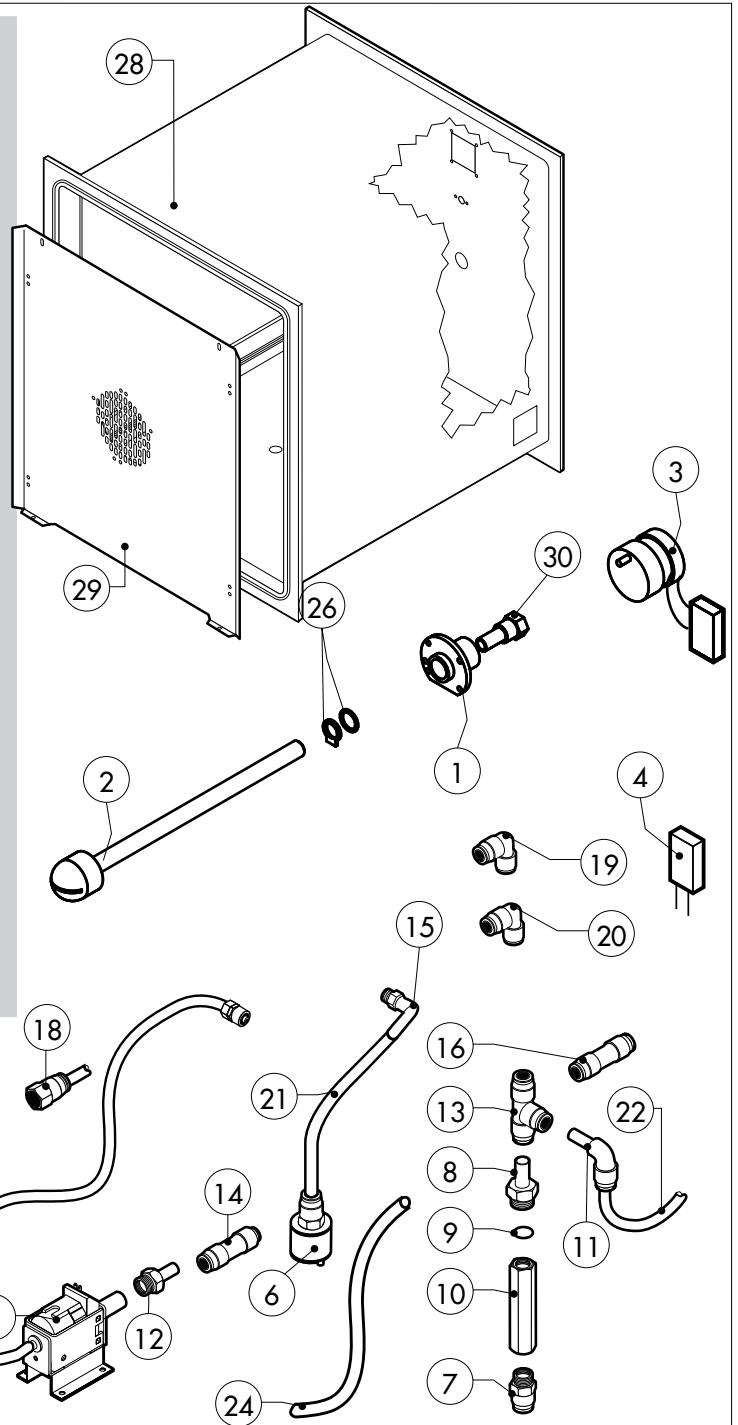
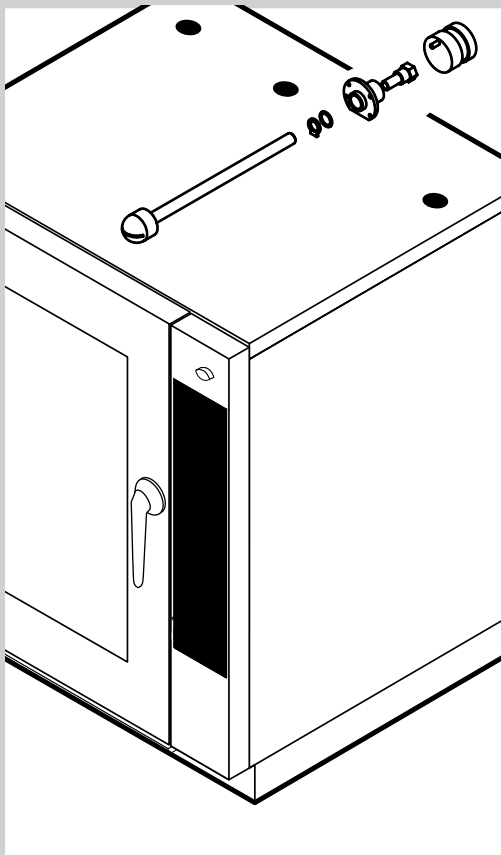
*COMPONENT SUBMITTED TO CHANGEMENTS, CAUSED BY TENSION DIFFERENT FROM THE STANDARD (AC 230V 50HZ)



POS.	CODE	PIECES	DESCRIPTION
1	R10100140	1	DAMPER SYSTEM CAP
2	R18210561	1	STEAM GENERATOR ASSEMBLY
3	R18203100	1	HEAT EXCHANGER ACCESSORIES INCLUDED
4	R18210571	1	COOKING CABINET BURNER
5	R18210581	1	STEAM GENERATOR BURNER
6	R10201700	1	DRAIN FILTER
7	R69150110	1	STEAM GENERATOR DESCALING CAP 1"1/4 F
8	R58006130	1	STEAM QUENCHING NOZZLE Ø 1
9	R66605821	2	FLAME IGNITION CABLE/FLAME SENSOR CABLE
10	R63050130	6	IGNITOR
11	R63020170	2	GAS SOLENOID VALVE
12	R63120040	2	VENTURI TUBE
13	R65060360	2	GAS BURNER FAN MOTOR
14	R77700056	2 MT	AIR INLET FLEXIBLE PIPE
15	R63140080	2	BURNER/HEAT EXCHANGER GASKET
16	R63140010	2	HEAT EXCHANGER GASKET
17	R63140060	1	BOILER/BURNER EXCHANGER GASKET
18	R63140050	4	BURNER/FAN MOTOR GASKET
19	R11430340	2	ORIFICE D.22

POS.	CODE	PIECES	DESCRIPTION
20	R62180082	2	GAS INLET FLEXIBLE PIPE
21	R63070010	1	GAS SAFETY PRESSURE SWITCH PG 901.61
22	R61630011	2	METAL CLAMPS 12-22/9
23	R61630021	2	METAL CLAMPS 30-45/9
24	R65110560	1	STEAM GENERATOR DRAIN MOTORIZED VALVE
25	R65320010	2	STEAM GENERATOR LEVEL PROBE
26	R70050140	1	STEAM GENERATOR CAP GASKET
27	R70060020	1	DAMPER SYSTEM CAP GASKET
28	R70060010	1	SILICON COUPLING Ø 30
29	R70060080	1	SILICON COUPLING Ø 13
30	R62090478	5	ELBOW MIDLING PIPE FITTING D.10
31	R62090458	1	STRAIGHT MIDLING PIPE FITTING D.10
32	R70070050	1	PE D.10 MM X7 WATER FLEXIBLE PIPE (3 MT LONG)
33	R58004200	2	ORIFICE

* COMPONENT SUBMITTED TO CHANGEMENTS CAUSED BY TENSION DIFFERENT FROM THE STANDARD (AC 230V 50HZ)



POS.	CODE	PIECES	DESCRIPTION
1	R58007020	1	WASHING SYSTEM FLANGE
2	R58007040	1	WASHING SYSTEM INNER ASSEMBLY
3	R65090250	1	WASHING GEARED MOTORS WITH CAPACITOR
4	R65190230	1	CAPACITOR 0,27 µF
5	R65110600	1	DETRGENT PUMP
6	R65110650	1	BOTTOM FILTER
7	R62090508	1	10X1/4 STRAIGHT THREADED TERMINAL PIPE FITTING
8	R62090518	5	10X1/4 END SIDE PIPE FITTING (WITH TANG)
9	R70010050	6	OR GASKETS
10	R65110640	2	ANTI-BACK FLOW
11	R62090528	3	ELBOW PIPE FITTING (WITH TANG) 10 X 10
12	R62090608	1	8X1/8 END SIDE PIPE FITTING (WITH TANG)
13	R62090468	1	"T" MIDLING PIPE FITTING D.10
14	R62090618	1	10-8 REDUCTION PIPE FITTING
15	R62090648	1	ELBOW PIPE FITTING
16	R62090458	1	STRAIGHT MIDLING PIPE FITTING D.10
17	R62090482	1	RAPID MALE PIPE FITTING
18	R62090538	1	1/4" FEMALE STRAIGHT PIPE FITTING FOR D.8X6 PIPE
19	R62090633	1	ELBOW PIPE FITTING BRASS D.10

POS.	CODE	PIECES	DESCRIPTION
20	R62090663	1	ELBOW PIPE FITTING BRASS D.10x1/4"
21	R70070100	1	PE D.8 MM X 6 DETERGENT FLEXIBLE PIPE
22	R70070070	1	PE D.10 MM X7 WATER FLEXIBLE PIPE (3 MT LONG)
23	R70070080	1	PE D.23 MM X13 FLEXIBLE PIPE (1 MT LONG)
24	R70070090	1	PE D.12 MM X7 SILICONE PIPE (1 MT LONG)
25	R65110210	1	SOLENOID VALVE 220V 50HZ
26	R70045120	1	GASKETS KIT
27	R61630011	2	METAL CLAMPS 12-22/9
28	R18210441	1	COOKING CABINET ASSEMBLY
29	R18422070	1	FAN GUARD PANEL ASSEMBLY
30	R58007000	1	ROTATING PIVOT