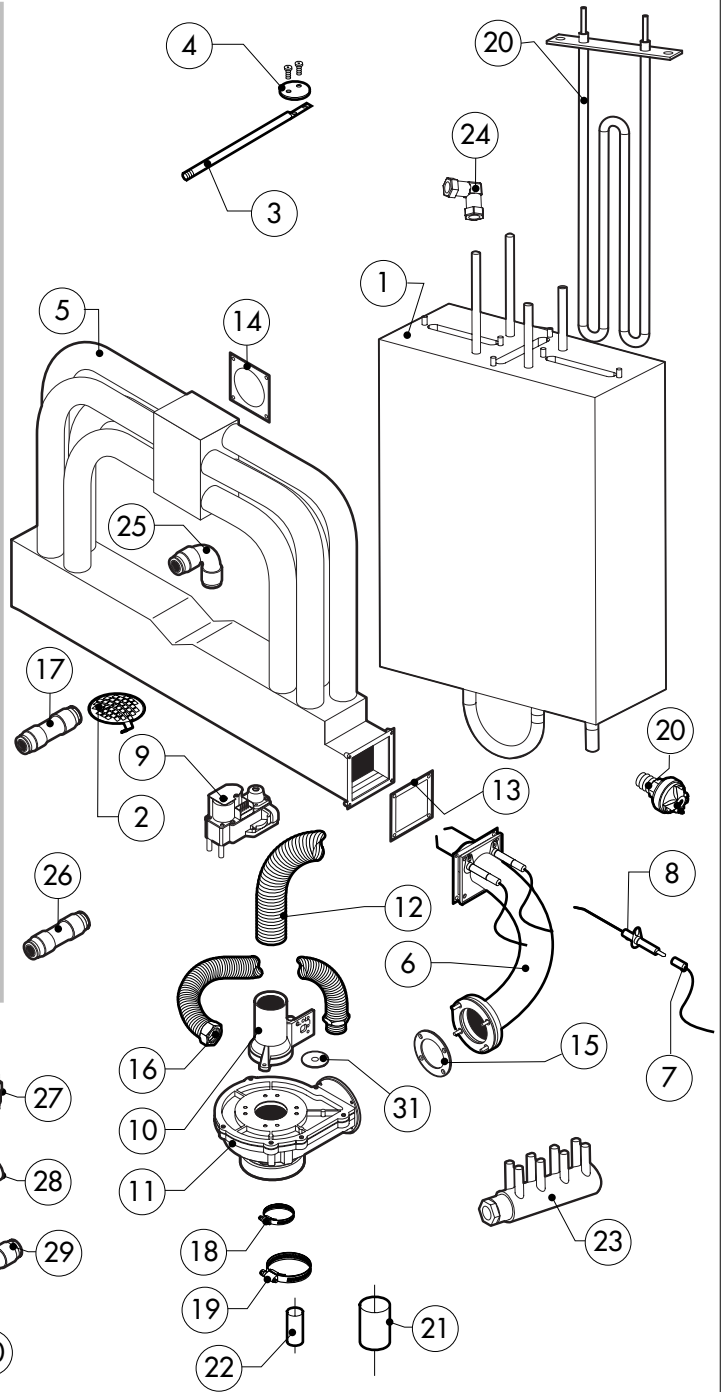
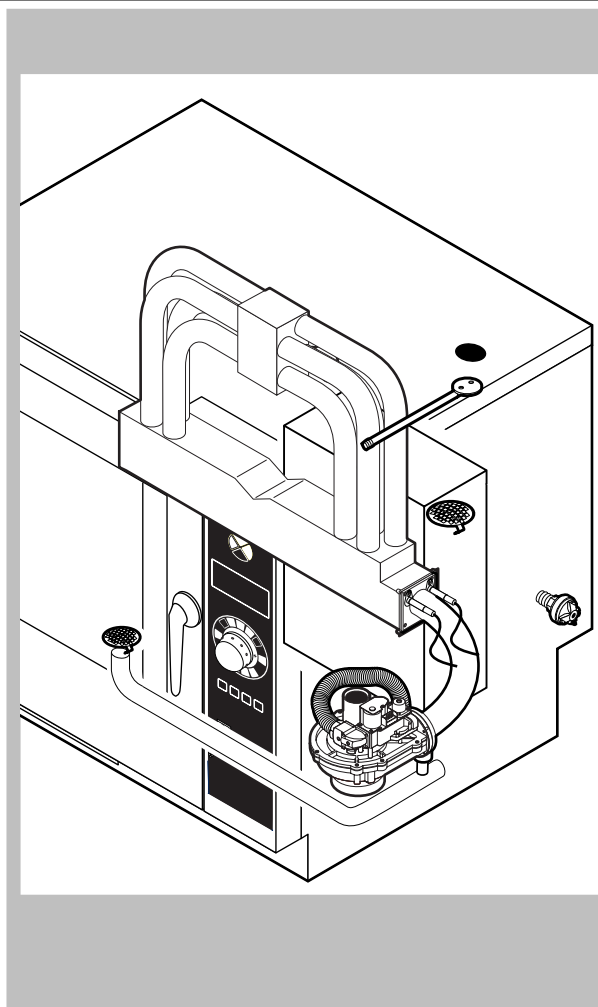


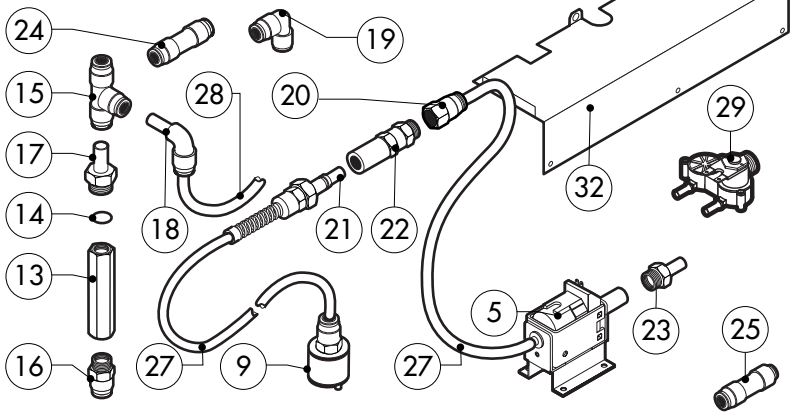
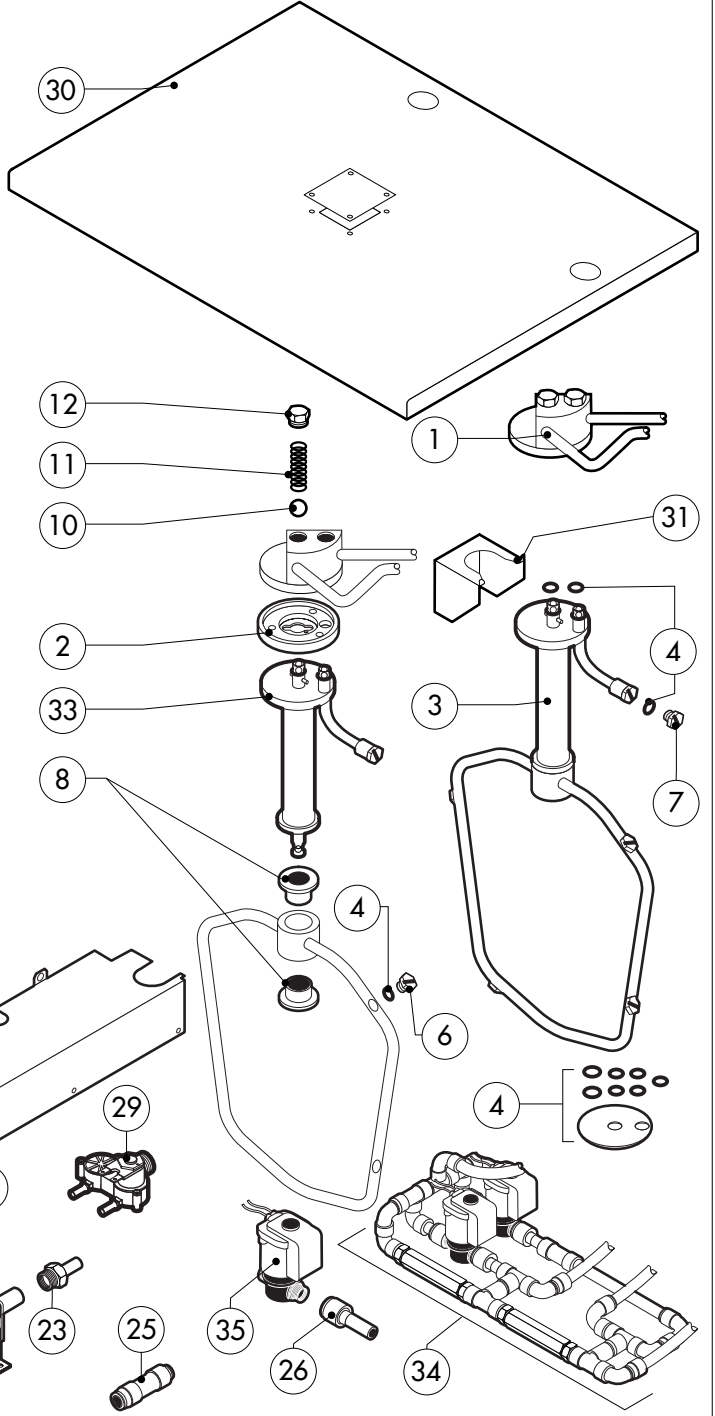
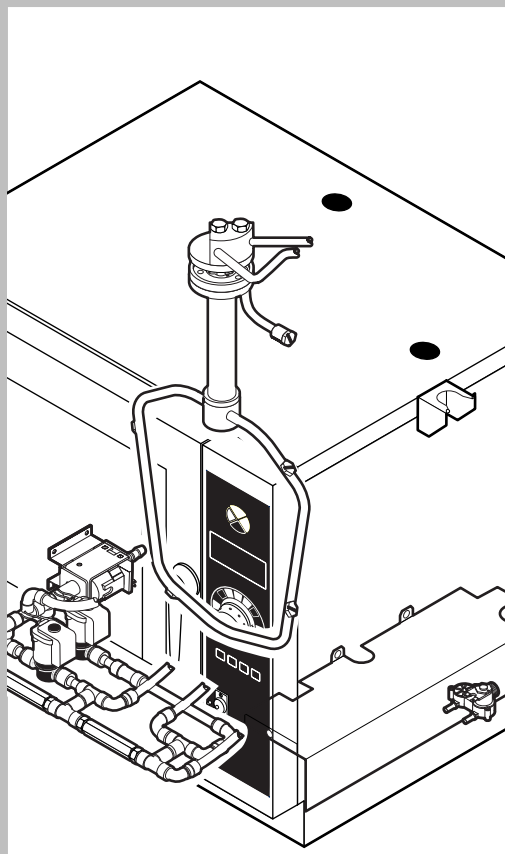
POS.	CODE	PIECES	DESCRIPTION
1	R11208600	1	DOOR UNTIL N°----CRXXXXXX0
	R11101390	1	DOOR FROM N°----CRXXXXXX1
2	R11208610	1	INNER DOOR PANEL UNTIL N°----CRXXXXXX0
	R11208730	1	INNER DOOR PANEL FROM N°----CRXXXXXX1
3	R11100200	1	INNER DOOR GLASS
4	R58001760	2	INNER GLASS SOLID HINGE
5	R58001770	2	INNER GLASS HINGE PIN
6	R58001780	2	INNER GLASS CATCH KIT
7	R11401340	1	TOP "C" PROFILE
8	R11401360	1	LOWER "C" PROFILE
9	R11207250	1	LOWER DOOR HINGE UNTIL N°----CRXXXXXX0
	R11207240	1	LOWER DOOR HINGE FROM N°----CRXXXXXX1
10	R58002520	1	LOWER HINGE PIN UNTIL N°----CRXXXXXX0
	R58002670	1	LOWER HINGE PIN FROM N°----CRXXXXXX1
11	R11200560	1	UPPER DOOR HINGE
12	R58002150	1	HINGE PIN
13	R58004050	2	NUT FOR UPPER DOOR HINGE
14	R10401710	1	WASHER FOR UPPER DOOR HINGE
15	R70050100	6	GLASS SILICON SPACERS

POS.	CODE	PIECES	DESCRIPTION
16	R70040730	1	GLASS GASKET
17	R66110320	1	DOOR LAMPS CABLE SET
18	R11401440	1	LAMP COVER
19	R71500150	1	GLASS LAMP
20	R70044200	1	LAMP GASKET
21	R11401450	1	GLASS HOLDER LAMP FLANGE
22	R65270020	1	LIGHT 20W 12V G4
23	R65270450	1	LIGHT SOCKET
24	R65260750	1	LAMPS CONTACT BLOCK
25	R66110300	1	LAMPS CONTACT CABLE SET
26	R11100300	1	DOOR HANDLE ASSEMBLY
27	R69010260	1	DOOR LATCH 1 STEP
28	R69010270	1	DOOR LATCH 2 STEP
29	R69010250	1	DOOR CATCH KIT
30	R69010630	1	INNER DOOR CATCH PLASTIC COVER
31	R61620132	1	PRONG FLANGE
32	R11200520	1	DOOR DRIP TRAY DRAINAGE



POS.	CODE	PIECES	DESCRIPTION
1	R11100420	1	STEAM GENERATOR ASSEMBLY
2	R10201710	1	DRAIN FILTER
3	R58002340	1	CHAMBER VENT ROD
4	R11417340	1	CHAMBER VENT PLATE Ø 94
5	R11207040	1	HEAT EXCHANGER ACCESSORIES INCLUDED
6	R11201260	1	BURNER ASSEMBLY
7	R66110370	1	FLAME IGNITION CABLE/FLAME SENSOR CABLE
8	R63050110	2	IGNITOR
9	R63020170	1	GAS SOLENOID VALVE
10	R63120020	1	VENTURI TUBE
11	R63130010	1	GAS BURNER FAN MOTOR
12	R77700046	1	AIR INLET FLEXIBLE PIPE
13	R63140000	2	BURNER/HEAT EXCHANGER GASKET
14	R63140010	2	HEAT EXCHANGER GASKET
15	R63140050	1	BURNER/FAN MOTOR GASKET
16	R62180082	1	GAS INLET FLEXIBLE PIPE
17	R63070010	1	GAS SAFETY PRESSURE SWITCH PG 901.61
18	R61630011	4	METAL CLAMPS 12-22/9
19	R61630110	2	METAL CLAMPS 44-56/12

POS.	CODE	PIECES	DESCRIPTION
20	*R65021050	3	STEAM GENERATOR HEATING ELEMENT 550W
21	R70060040	1	SILICON COUPLING Ø 50
22	R70060080	2	SILICON COUPLING Ø 13
23	R62090568	1	4 OUTLET DISTRIBUTOR
24	R62090633	4	ELBOW PIPE FITTING BRASS D.10
25	R62090478	2	ELBOW MIDLING PIPE FITTING D.10
26	R62090458	5	STRAIGHT MIDLING PIPE FITTING D.10
27	R62090508	1	10X1/4 STRAIGHT THREADED TERMINAL PIPE FITTING
28	R62030118	1	1/8"-1/4" FEMALE REDUCTION COUPLING
29	R63070050	1	WATER SAFETY PRESSURE SWITCH 1/8" 0,5-0,35 BAR
30	R70070060	1	PE D.10 MM X7 WATER FLEXIBLE PIPE (2 MT LONG)
31	R58004180	1	ORIFICE (FOR VERSION LIQUID GAS)



POS.	CODE	PIECES	DESCRIPTION
1	R11200871	1	WASHING SYSTEM EXTERNAL ASSEMBLY
2	R58004960	1	WASHING SYSTEM INNER FLANGE
3	R11100500	1	WASHING DEVICE ASSEMBLY
4	R70045090	1	GASKETS KIT
5	R65110600	1	DETRGENT PUMP
6	R62210032	4	1,3 L/MIN RINSING JET
7	R62210042	1	0,56 L/MIN DETERGENT JET
8	R58004980	2	WASHING DEVICE ROTATION BUSH
9	R65110650	1	BOTTOM FILTER
10	R62220012	2	SPHERA D.14
11	R61620041	2	SPRING
12	R58005000	2	1/2" MALE COVER
13	R65110640	2	ANTI-BACK FLOW
14	R70010050	4	OR GASKETS
15	R62090468	5	"T" MIDLING PIPE FITTING D.10
16	R62090508	1	10X1/4 STRAIGHT THREADED TERMINAL PIPE FITTING
17	R62090518	3	10X1/4 END SIDE PIPE FITTING (WITH TANG)
18	R62090528	10	ELBOW PIPE FITTING (WITH TANG) 10 X 10
19	R62090478	4	ELBOW MIDLING PIPE FITTING D.10

POS.	CODE	PIECES	DESCRIPTION
20	R62090538	1	1/4" FEMALE STRAIGHT PIPE FITTING FOR D.8X6 PIPE
21	R62090482	1	RAPID MALE PIPE FITTING
22	R62090492	1	RAPID FEMALE PIPE FITTING
23	R62090608	1	8X1/8 END SIDE PIPE FITTING (WITH TANG)
24	R62090458	1	STRAIGHT MIDLING PIPE FITTING D.10
25	R62090618	1	10-8 REDUCTION PIPE FITTING
26	R62090548	4	10-6 REDUCTION PIPE FITTING
27	R70070100	1	PE D.8 MM X 6 DETERGENT FLEXIBLE PIPE
28	R70070050	1	PE D.10 MM X7 WATER FLEXIBLE PIPE (3 MT LONG)
29	R65110200	1	SOLENOID VALVE 220V 50HZ
30	R11200180	1	COVER PANEL
31	R11402000	1	WASHING DEVICE EXTERNAL HOLDER
32	R11400680	1	PROTECTION PLATE
33	R11100560	1	TUBE DEVICE SUPPORT WASHING
34	R62300028	1	ANTI-BACK FLOW DEVICE ASSEMBLY
35	R65110260	2	SOLENOID VALVE D.6 220V 50HZ