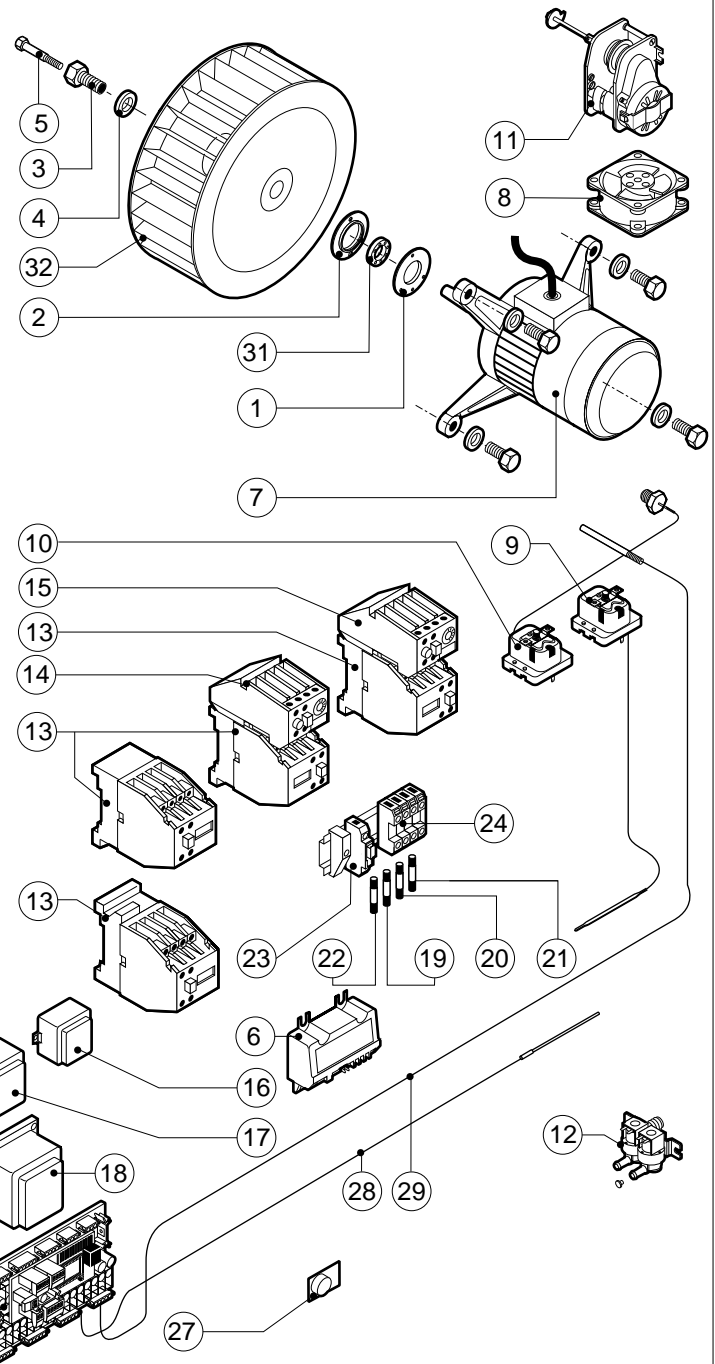
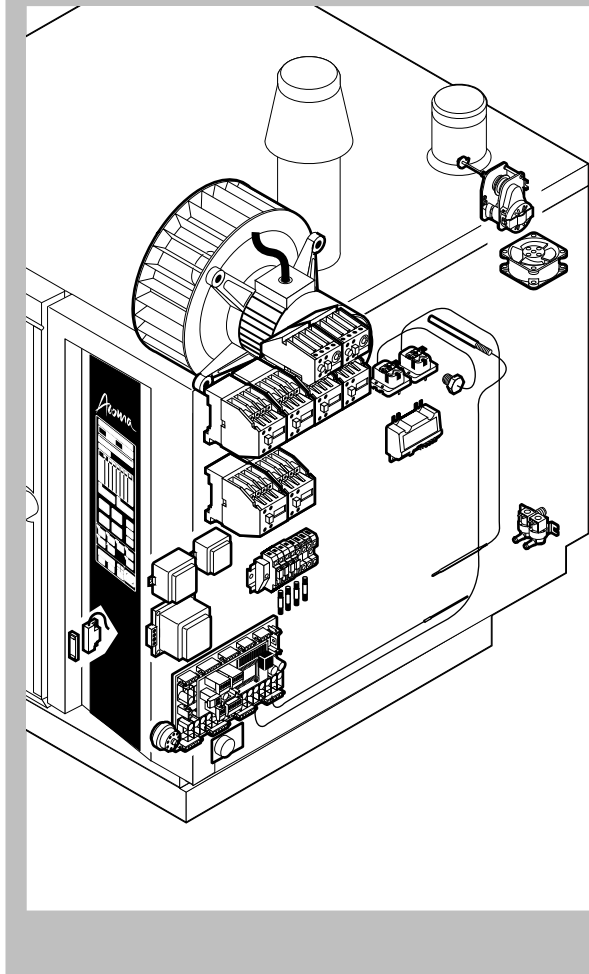


POS.	CODE	PIECES	DESCRIPTION
1	R12200810	1	FLANGED BUSH
2	R12200890	1	DOOR HANDLE
3	R12200900	1	FLANGED HANDLE BRACKET
4	R12210180	1	DOOR
5	R12210190	1	RIGHT GLASS FIXING BRACKET
6	R12210200	1	RIGHT LAMP COVER
7	R12210210	1	LEFT LAMP COVER
8	R12210280	1	UPPER DOOR HINGE
9	R12210290	1	LOWER DOOR HINGE
10	R12420640	1	INNER DOOR PANEL
11	R12420660	1	LEFT GLASS FIXING BRACKET
12	R58001920	1	DOOR HANDLE PIN
13	R58002300	1	DOOR HANDLE ROD
14	R58002320	1	PUSH ROD
15	R58002350	1	DOOR HANDLE PRONG PIN
16	R58002370	1	HANDLE LOCKING BOLT
17	R58004781	1	DOOR HANDLE HOOK
18	R58005050	1	DOOR HANDLE PRONG
19	R58006370	1	DOOR HANDLE HOOK SCREW

POS.	CODE	PIECES	DESCRIPTION
20	R61090562	1	GRUB SCREW M8x10
21	R61620012	1	DOOR HANDLE CATCH SPRING
22	R61620041	1	DOOR HANDLE BUTTON SPRING
23	R61620102	1	HANDLE RETURN SPRING
24	R65270020	4	LIGHT 20W 12V G4
25	R65270400	4	LIGHT SOCKET
26	R67011000	1	HANDLE INSERT BLUE
27	R69015030	1	DOOR HANDLE ASSEMBLY
28	R69031220	1	DOOR HANDLE PUSH BUTTON BLUE
29	R70042520	1	DOOR GASKET
30	R70042620	1	FRONT GLASS GASKET
31	R70042720	1	REAR GLASS GASKET
32	R71020110	1	DOOR GLASS
33	R71200250	1	DOOR GLASS GOLD/BLUE



POS.	CODE	PIECES	DESCRIPTION
1	R58003840	1	MOTOR GASKET BRASS FLANGE
2	R58003850	1	MOTOR GASKET BRASS COUNTER FLANGE
3	R58004000	1	FAN SCREW M12x1.5 SX
4	R58004010	1	FAN WASHER Ø 30/12.5
5	R61020562	1	FAN SCREW TE A2 M6x55
6	R63060020	1	BURNER IGNITION PANEL S 4560 A
7	R65040051	1	MOTOR HP 1/0.3 KIT
8	R65060010	1	COMPONENTS VENTILATION MOTOR Ø 80
9	R65070060	1	STEAM GENERATOR SAFETY THERMOSTAT
10	R65070070	1	CHAMBER SAFETY THERMOSTAT
11	R65095000	1	DAMPER SYSTEM
12	R65115000	1	SOLENOID VALVE 220V 50HZ WITH FLOW REDUCER
13	R65140150	6	CONTACTOR 3TF4011-OAUO 240V
14	R65160110	1	THERMIC PROTECTION 3UA5000-0J 0.63-1A
15	R65160120	1	THERMIC PROTECTION 3UA5000-1C 1.6-2.5A
16	R65180410	1	TRANSFORMER 16VA
17	R65180650	1	TRANSFORMER 23VA
18	R65180660	1	TRANSFORMER 80VA
19	R65200010	1	FUSE 0.8A (T)

POS.	CODE	PIECES	DESCRIPTION
20	R65200086	1	FUSE 0.125A (T)
21	R65200200	1	FUSE 2A
22	R65200320	1	FUSE 0.2A (T)
23	R65210020	4	FUSE CARRIER
24	R65220090	1	TERMINAL BOARD
25	R65265100	1	DOOR SWITCH
26	R65300640	1	RELAYS P.C. BOARD
27	R65300670	1	CLOCK P.C. BOARD
28	R65320250	1	STEAM GENERATOR PREHEATING PROBE
29	R65325000	1	CAVITY PROBE PT100
30	R65330040	1	BUZZER
31	R70020050	1	MOTOR GASKET
32	R75400380	1	FAN Ø 350x120/24 50HZ P.D. KIT

